

D'ANDREA®

TECHNOLOGY FOR HIGH PRECISION



Made in Italy



TOOLS

Toolholders
Держатели
Oprawki narzędziowe
Nástrojové držáky
Takım tutucular



10
MODULHARD'



138
PSC Linea



176
MONOforce



184
TOPRUN



192
MONOd'



210
MONOd' CT



224
MCD'

238
ACCESSORIES

246
TECHNICAL DATA

HEADS

Boring and facing heads
Торцовочные и расточные головки
Głowice do wytaczania i obróbki powierzchni czołowych
Vyvrtávací hlavy a lícní desky
Delik açma ve diş yüzey kafaları



254
U-TRONIC



268
TA-CENTER



278
TA-TRONIC



288
U-COMAX



296
AUTORADIAL

modulhard'andrea MHD'

ARBORS

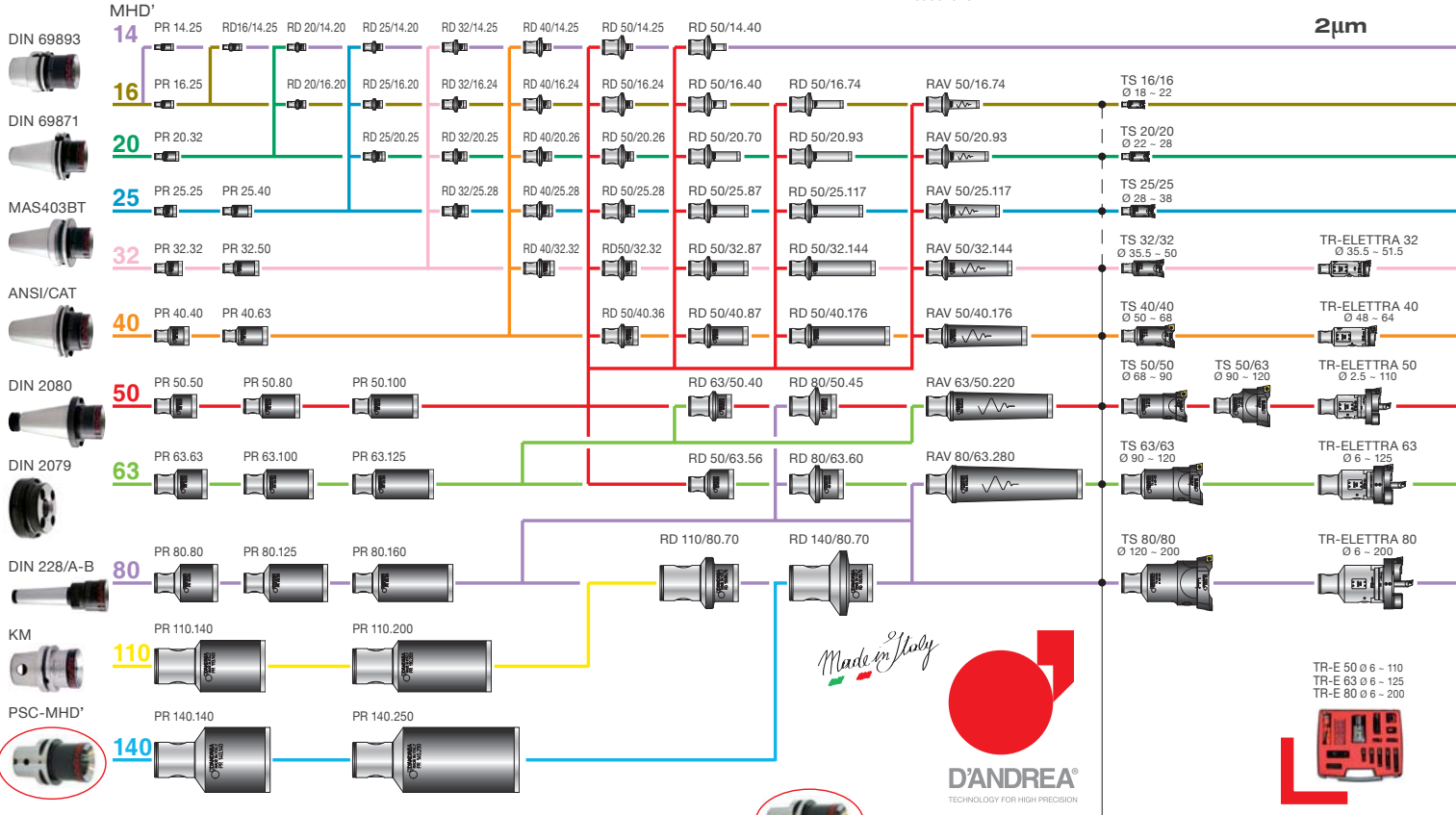
PR Extensions

RD Reductions

RAV Vibration-damping reductions

TS Double-bit heads

TR-E Micrometric Digital Testarossa



Modular PSC Linea

ARBORS

PR Extensions

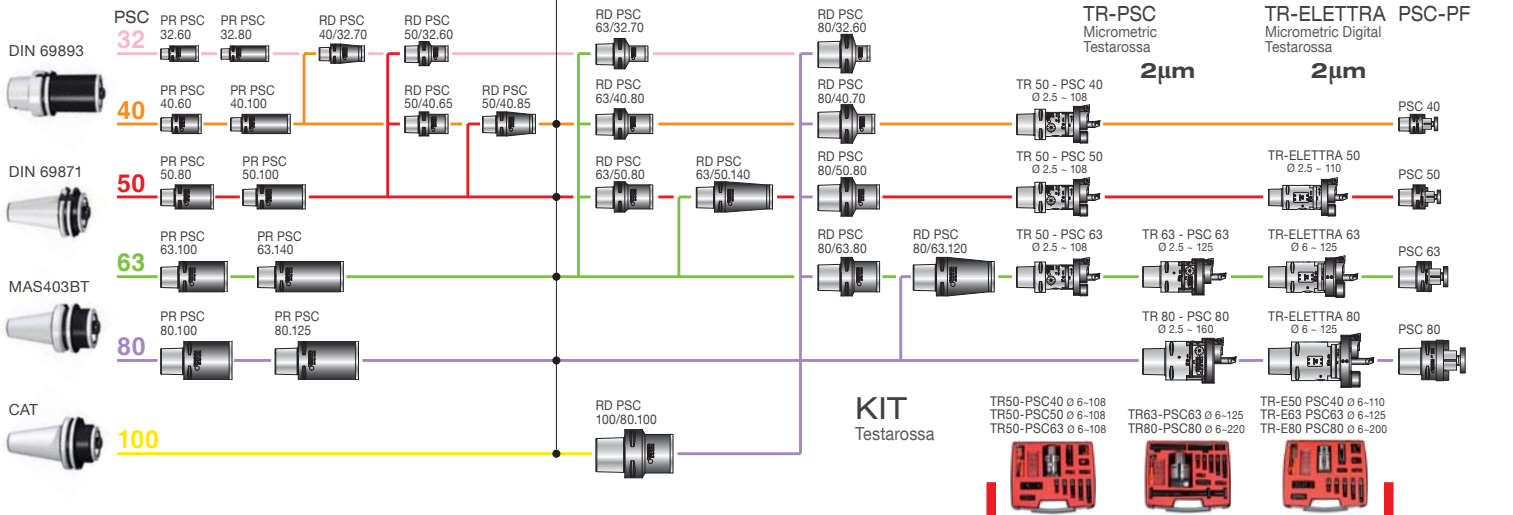
RD Reductions

testarossa d'andrea

TR-PSC Micrometric Testarossa

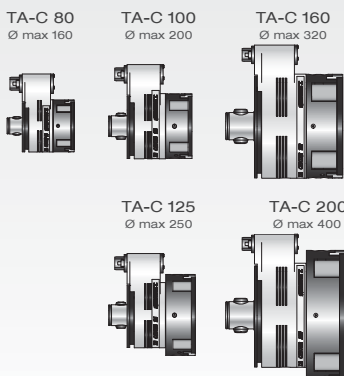
TR-ELETTA Micrometric Digital Testarossa

PSC-PF



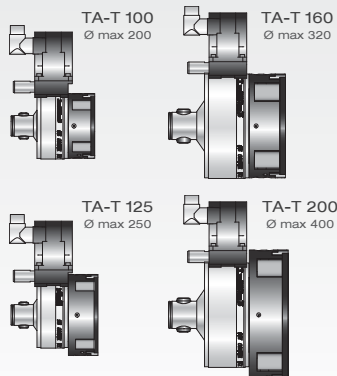
TA-CENTER

NC boring and facing heads with automatic balancing suitable for ATC handling



TA-TRONIC

NC boring and facing heads with automatic balancing



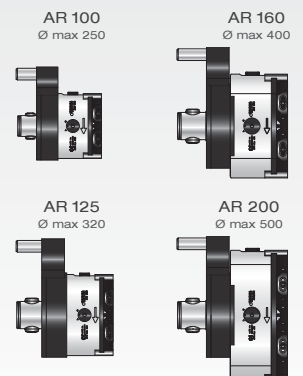
U-COMAX

Axial control NC boring and facing heads for transfer machines



AUTORADIAL

Automatic facing heads



TRM
Micrometric
Testarossa
2µm

TRM HSB
Balanceable high
speed micrometric
Testarossa
2µm

TRC
Centesimal
Testarossa

TRC HS
Balanced high
speed centesimal
Testarossa

TRD
Double-bit
centesimal
Testarossa for
roughing and
finishing

BPS
Double-bit cross
bars for roughing and
finishing large diameters
Ø 200 - 2700

**BIT-HOLDERS
TOOLS
INSERTS**

**CHUCKING
TOOLS**

TRM 16 Ø 18 - 23
TRM 20 Ø 22 - 29
TRM 25 Ø 28 - 36
TRM 32 Ø 35.5 - 51.5
TRM 40 Ø 48 - 63
TRM 50 Ø 2.5 - 108
TRM 50/63 Ø 2.5 - 125
TRM 50/80 Ø 2.5 - 160
TRM 50 HSB Ø 2.5 - 18
TRM 63/63 Ø 2.5 - 125
TRM 80/80 Ø 2.5 - 160
TRM 80/125 Ø 2.5 - 500
TRM 50/63 Ø 6-125
TRM 63/63 Ø 6-125
TRM 80/80 Ø 6-220
TRM 50 Ø 6-108

TRC 14 Ø 14.5 - 18
TRC 16 Ø 18 - 24
TRC 20 Ø 22 - 30
TRC 25 Ø 28 - 40
TRC 32 Ø 35 - 53.5
TRC 40 Ø 48 - 66
TRC 50 Ø 2.5 - 110
TRC 50 HS Ø 2.5 - 18
TRC 63 Ø 6 - 125
TRC 80 Ø 6 - 200
TRC 50 Ø 6-110
TRC 63 Ø 6-125
TRC 80 Ø 6-200
TRC32HS Ø 2.5-12
TRC50HS Ø 6-22

TRD 25 Ø 28 - 36
TRD 32 Ø 36 - 46
TRD 40 Ø 48 - 60
TRD 50 Ø 60 - 75
TRD 63 Ø 75 - 95
TRD 80 Ø 95 - 160

BPS 200 - 1600 Ø 200 - 2700
MHD' 80-110-140
PSC80
MONOd'
ISO D.60

Golden Compass award for industrial design
UCIMU
award for industrial design

KIT
Testarossa

ROUGHING FINISHING

2µm

TR 200 TR-E 200 ELETTRA

WORKING RANGE

BPS	Ø
200	200 - 300
300	300 - 400
400	400 - 500
500	500 - 900
600	600 - 1000
700	700 - 1100
800	800 - 1200
1000	1000 - 1800
1150	1500 - 2100
1600	1600 - 2700

External turning
PS 11.30 D.16

BIT-HOLDERS TOOLS INSERTS

D 08.16 B1 Carbide tools
B3 K20.50
B5 Heavy metal Tools
B8 Carbide tools

CHUCKING TOOLS

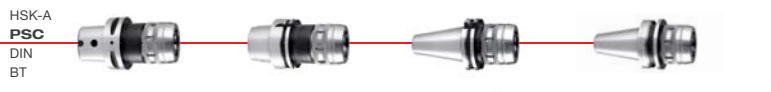
PE Collet chucks
MHD' FORCE Ultra-tight FORCE
AW Weldon/Whistle Notch
PF Shell mill holders
CM Morse taper holders
AM Tapping holders
B16 Drilling chucks
NS Blanks
BLC Balancing rings

TP 16CA Toolholders
TU Toolholders
AS..45° Chamfering tools
ACR/NC Coolant adapters
ACR Coolant adapters
SPECIAL
63 50 40 32

MAX.10 BAR
MAX.10 BAR

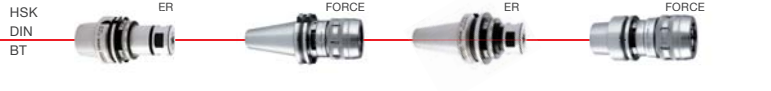
MONOforce

High precision heavy duty milling chuck RC 12-20-32



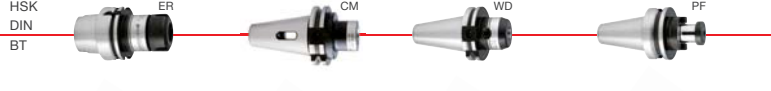
TOPRUN

High precision balanceable toolholders for high speed



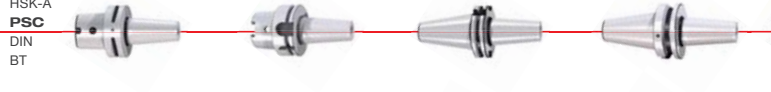
MONOd'

Monobloc toolholders



MONOd'CT

Shrink fit chucks



MCD'

Modular turning system for multitasking machine tools



Accessories

BMD Carbide Bars
MHD' Carbide Bars

RC collet 3µ
ER collet 10µ
ER collet 3µ
Tapping collets
PR CT Shrink fit extensions
BLANKS

U-TRONIC

Medium and large sized NC boring and facing heads

SINGLE SLIDE

UT 3-360S Ø max 800
UT 5-500 S Ø max 1000
UT 5-630 S Ø max 1250
UT 5-800 S Ø max 1400
UT 8-800 S Ø max 1600
UT 8-1250 S Ø max 2700
UT 8-1000 S Ø max 2000
UT 8-1600 S Ø max 3200

HOLE

UT 5-500 HOLE Ø max 1000
UT 5-630 HOLE Ø max 1200

DOUBLE SLIDE

UT 5-500 D Ø max 1000
UT 5-630 D Ø max 1200
UT 5-800 D Ø max 1400

HIGH SPEED

UT 5-500 BH Ø max 900
UT 5-630 BH Ø max 1100
UT 3-360BH Ø max 600
UT 8-800 BH Ø max 1400

SPECIAL AND SYNCHRO

PATENTED



Marino D'Andrea, the founder
Marino D'Andrea, il fondatore



The first boring and facing head
La prima testa per sfacciare e alesare



Golden Compass
award for industrial design



The first D'Andrea logo type (1961)
Il primo logo tipo di D'Andrea (1961)

- Quality, Experience, Technology, High precision, Innovation, Professional skills are the strongest points that made the firm and the whole D'Andrea production winning on the Italian and the worldwide market.

- Qualità, Esperienza, Tecnologia, Alta precisione, Innovazione, Competenza, sono i punti di forza che hanno reso vincente l'azienda e tutta la produzione D'Andrea sul mercato nazionale ed internazionale.



- A tradition going back over 50 years in the field and a big passion for mechanics have been allowing D'Andrea to go on strengthening its position on domestic and international markets over the years. D'Andrea now has a 30% share of the market for modular systems and a 10% share of the entire toolholders sector (including modular systems), at the top in its sector in Italy. D'Andrea is internationally prominent in the field of large diameters precision boring.

- Una tradizione con più di 50 anni di attività nel settore e una grande passione per la meccanica hanno fatto sì che, nel corso degli anni, D'Andrea consolidasse sempre di più la sua posizione sul mercato nazionale ed internazionale. Attualmente D'Andrea detiene il 30% della quota di mercato dei sistemi modulari e il 10% nell'intero settore dei portautensili (comprensivo anche dei modulari) posizionandosi come leader nazionale. A livello internazionale, D'Andrea detiene la posizione di leadership nell'alesatura di precisione dei grandi diametri.

- D'Andrea S.p.A. is a world leader in the field of accessories for machine tools. Boring and facing heads and toolholders are all made in the factory in Lainate (Milan). Components of toolholders systems are produced in the plant in Castel Del Giudice (Isernia).

- D'Andrea S.p.A. è leader mondiale nel settore degli accessori per macchine utensili. La progettazione e la produzione di teste per alesare e sfacciare e di portautensili avviene interamente nella sede di Lainate (Milano). I componenti dei sistemi di portautensili vengono realizzati nello stabilimento di Castel Del Giudice (Isernia).

D'Andrea headquarters in Lainate (Milan)
La sede D'Andrea a Lainate (Milano)



The company respects a Quality Certified System in compliance with UNI EN ISO 9001

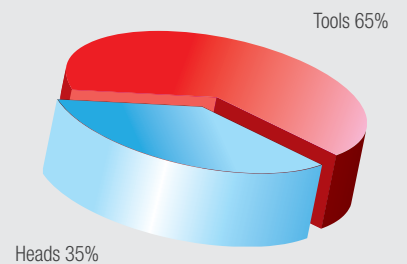
- D'Andrea boasts a functional, modern and productive facility with over 7000 sq.m. of workshops, executive offices, design department and training spaces and it relies on the cooperation of about 110 employees at the Lainate (Milan) plant. The Castel del Giudice (Isernia) plant is over 1300 sq.m. and has around 30 employees.

- D'Andrea vanta una struttura produttiva moderna e funzionale di oltre 7.000 mq di officine, uffici direzionali, ufficio tecnico e spazi per la formazione, che conta sulla collaborazione di circa 110 dipendenti nella sede di Lainate (Milano). Lo stabilimento di Castel Del Giudice (Isernia) è di oltre 1300 mq con circa 30 dipendenti.



Show Room D'Andrea Lainate (Milano)

The manufacturing plant in Castel Del Giudice (Isernia)
Lo stabilimento di Castel Del Giudice (Isernia)





- D'Andrea is a company with an all around approach to management that takes into account the latest trends and developments on the domestic and international market. At the same time, the company has a widespread distribution network offering the right amount of flexibility, to satisfy the local market requirements.

- D'Andrea è un'azienda che adotta una politica gestionale a 360° che tiene conto delle tendenze ed evoluzioni del mercato nazionale e mondiale. Nello stesso tempo, la presenza di una rete di distribuzione capillare conferisce all'azienda il giusto grado di flessibilità per agire e rispondere efficientemente alle richieste locali del mercato.

- D'Andrea guarantees a customized technical consulting service and a permanent repair service of the products sold over the world.

- D'Andrea garantisce un servizio personalizzato di consulenza tecnica e un servizio permanente di riparazione dei prodotti in ogni parte del mondo.



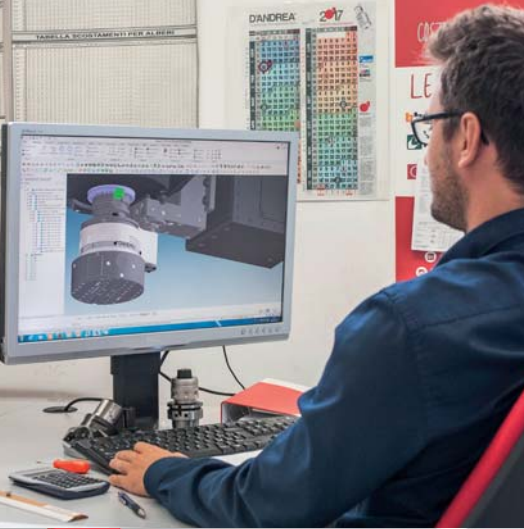
- D'Andrea combines the attentive technical assistance with an intense training activity for its Italian and foreign distributors. D'Andrea tutors periodically hold training courses in order to show the main technical features and working principles of the whole product range.

- D'Andrea integra l'attento servizio di assistenza tecnica con un'intensa attività di formazione rivolta ai propri distributori, italiani e stranieri. Tecnici specializzati tengono periodicamente corsi di aggiornamento allo scopo di illustrare le caratteristiche tecniche e i principi di funzionamento dell'intera gamma di prodotti.



- The Sales Department manages business all over the world.

- L'Ufficio Commerciale gestisce le vendite in tutto il mondo.



- D'Andrea gained a position of prominence world-wide thanks to its unequalled know-how. The company invests massively in Research and Development to keep up with the times. A team of highly skilled design engineers is continually researching advanced technological solutions, developing new products according to market requirements and executing special designs based on specific customer requests.

- D'Andrea ha acquisito una fama mondiale per il suo know how senza pari. Per mantenersi al passo coi tempi l'azienda investe ingenti risorse nel comparto Ricerca e Sviluppo. Un efficiente team di progettisti è continuamente alla ricerca di soluzioni tecnologiche avanzate, sviluppa nuovi prodotti assecondando le richieste del mercato ed è in grado di eseguire progetti speciali su richiesta specifica del cliente.



- The company understands customers' specific needs and responds with the most appropriate solutions.

- L'azienda comprende le specifiche esigenze del cliente ed è in grado di soddisfarle con le soluzioni più adatte.





MODULHARD'



PSC Linea



MONOforce



TOPRUN



MONOd'



MONOd' CT



MCD'

TOOLS

the power of precision

GB High precision modular toolholders that allow boring, milling, drilling, and tapping operations to be carried out with extreme flexibility and rigidity.

RU Модульные держатели высокой точности, которые позволяют выполнить с чрезвычайной гибкостью и жесткостью расточные, фрезерные, сверлильные операции и операции по нарезанию резьбы.

PL Modułowe uchwyty narzędziowe o wysokiej precyzji, pozwalające na wykonywanie czynności wytaczania, frezowania, wiercenia oraz gwintowania, z zachowaniem bardzo wysokiej elastyczności i sztywności układu narzędziowego.

CZ Модульные держатели высокой точности, которые позволяют выполнить с чрезвычайной гибкостью и жесткостью расточные, фрезерные, сверлильные операции и операции по нарезанию резьбы.

TR Delme, delik açma, frezeleme ve diş açma işlemlerinin benzersiz bir esneklik ve sağlamlıkla yapılabilmesini sağlayan yüksek hassasiyetli modüler takım tutucular.

GB High precision ultra-tight toolholder with 12, 20 and 32 mm diameter tool arbor.

RU Высокоточные сверхжесткие держатели с диаметрами для крепления инструмента 12, 20 и 32мм.

PL Wysokiej precyzji uchwyt o dużej sile zacisku do mocowania narzędzi na chwytach 12, 20, 32mm i pośrednich.

CZ Vysoce přesný a velmi pevný nástrojový držák s nástrojovým vřetenem o průměru 12, 20 a 32 mm.

TR 12, 20 ve 32 mm çapında malafalı yüksek hassasiyetli ultra sıkı takım tutucu.

GB High precision balanceable monoblock toolholder for high-speed machining.

RU Моноблочные балансируемые держатели сверхвысокой точности для высокоскоростной обработки.

PL Wysokiej precyzji wyrównoważony, monolityczny uchwyt narzędziowy do pracy z urządzeniami o wysokich prędkościach.

CZ Vysoce přesné vyrovnatelné monoblokové nástrojové držáky pro vysokorychlostní obrábění.

TR Yüksek hızda işleme için yüksek hassasiyetli, dengelenbilir monoblok takım tutucu.

GB Integrated high quality toolholders, ideal for all types of machine tool equipment with HSK, DIN and BT base arbors.

RU Интегральные высококачественные держатели, идеально подходящие для оснастки всех типов станков со стандартным соединением HSK, DIN и BT.

PL Wysokiej jakości, zintegrowane uchwyty narzędziowe, idealne dla wszystkich typów narzędzi do obrabiarek za złączami HSK, DIN oraz BT.

CZ Integrované kvalitní nástrojové držáky ideální pro všechny typy vybavení obráběcích strojů s základními vřeteny HSK, DIN a BT.

TR Yüksek kaliteli takım tutucularla entegredir, HSK, DIN ve BT temel malafalı her çeşit işleme takımı için idealdir.

GB High quality shrink fit integral tool holders, ideal for equipping any type of machine tool with basic HSK, PSC, DIN, and BT attachment.

RU Неразъемные держатели для инструментов с высококачественным термоусаживаемым клиновым соединением, идеальные для любого типа металлорежущих станков с основным соединением HSK, PSC, DIN и BT.

PL Integralne uchwyty narzędziowe z termokurczliwym połączeniem klinowym wysokiej jakości, idealne do każdego typu obrabiarki z podstawowym połączeniem HSK, PSC, DIN i BT.

CZ Vysoce kvalitní uložení lisované za tepla integrované s nástrojovými držáky, ideální pro každý typ obráběcího stroje se základním vybavením HSK, PSC, DIN a BT

TR Üstün kalitedeki sıkı geçme entegral takım tutucular, temel HSK, PSC, DIN, BT ve eklerine sahip her türlü takım tezgâhi donanımları için idealdir.

GB Lathe toolholder program, recommended for the application on MULTI-TASK machines

RU Программа для держателей токарных станков которые рекомендуются для применения на станках MULTI-TASK.

PL Program tokarskich uchwytów narzędziowych, polecany do zastosowania na urządzeniach wielofunkcyjnych MULTI-TASK.

CZ Program soustruhových nástrojových držáků doporučený pro použití na strojích MULTI-TASK.

TR Çoklu görev makinelerindeki uygulamalar için önerilen torna tezgâhi programı.

Made in Italy




*Modularity
and high precision*





- ARBORS
- ДЕРЖАТЕЛИ
- PODSTAWOWE UCHWYTY NARZĘDZIOWE
- HŘÍDELE
- MALAFALAR

p.240 • RFR p.17-18 • HSK DIN 69893



p.240 • TNT



p.19 • ISO 26623-1 PSC



p.19 • ISO 26622-1 KM



p.20 • DIN 69871 FC
FACE CONTACT



p.21 • MAS 403 BT FC
FACE CONTACT



p.22-23 • DIN 69871



p.24-25 • MAS 403 BT



p.26 • ANSI/CAT



p.26 • DIN 2080



p.27 • ISO 50/60 D.60



p.27 • DIN 228/A 2207



p.27 • DIN 228/B 1806



p.27 • R8



p.28 • MR



p.28 • DIN 2079



- EXTENSIONS REDUCTIONS AND COOLANT FEED
- УДЛИНИТЕЛИ, ПЕРЕХОДНИКИ И ПОДВОДНОЙ КАНАЛ ХЛАДАГЕНТА
- PRZEDŁUŻKI REDUKCYJNE I PRZEWODY DOPROWADZAJĄCE CIECZ CHŁODZĄCĄ
- REDUKCE ROZŠÍŘENÍ A PŘÍŠUN CHLADICÍ KAPALINY
- UZATMALAR, KISALTMALAR VE SOĞUTMA SIVISI BESLEME

p.28 • BR



p.29 • BMD



p.30 • PR



p.31 • RD



p.31 • RD



p.32 • RD



p.32 • RAV



p.33 • BLC



- INDEX
- СОДЕРЖАНИЕ
- SPIS STRĘSICI
- REJSTRÍK
- DİZİN

- DOUBLE-BIT HEADS
- ДВУХРЕЗЦОВЫЕ ГОЛОВКИ
- GŁOWICE DWUNOŻOWE
- DVOUHROTOVÉ HLAVY
- ÇİFT UÇLU KAFALAR

p.36-41 • TS . .
Ø 18 ~ 200



p.40-41 • SS . .



p.41 • PT



p.50-54-58-66-96 • PS 31
p.100-104



p.50-54-58-66-96 • CW 32
p.100-104



p.51-55-59-67-97 • P25



p.55-59-101-105 • P22



p.69-73 • P20.30



p.70-74-78 • PS



p.71-75-77 • P



p.49-53-57-65-69-73 • B . .
p.95-99-103-109-111



p.241 • KIT K20.50
Ø 6 ~ 30



• TESTAROSSA

p.44-46 • **TR-E32 MHD'32**
Ø 35.5-51.5



p.47 • **TR-E40 MHD'40**
Ø 48-64



p.48-51 • **TR-E50 MHD'50**
Ø 2.5-110



• **KIT K00** Ø 6 ~ 22
• **KIT K01** Ø 6 ~ 110



p.52-55 • **TR-E63 MHD'63**
Ø 6 ~ 125



• **KIT K01**
Ø 6 ~ 125



p.56-59 • **TR-E80 MHD'80**
Ø 6 ~ 200



• **KIT K01**
Ø 6 ~ 200



p.60-63 • **TRM 16-40**
Ø 18 ~ 63



• **SF..**
p.61

p.64-67 • **TRM 50**
Ø 2.5 ~ 108



• **KIT K00** Ø 6 ~ 22
• **KIT K01** Ø 6 ~ 108



p.68-71 • **TRM 50/63**
• **TRM 63/63**
Ø 2.5 ~ 125



• **KIT K01**
Ø 6 ~ 125



p.72-75 • **TRM 50/80**
• **TRM 80/80**
Ø 2.5 ~ 160



• **KIT K01**
Ø 6 ~ 220



p.76-79 • **TRM 80/125**
Ø 36 ~ 500



• **KIT K03**
Ø 36 ~ 410



p.51-55-59-67-71
p.75-79-97-101-105

• **SF..**



p.80-85 • **BPS**
Ø 200 ~ 2700



p.86 • **TR 200**
Ø200-2700



p.86 • **TR-E 200**
Ø200-2700



p.87 • **SF..**



p.87 • **SS-SM..**



p.87 • **CW**



p.87 • **PRL**



p.88 • **TP**



p.88 • **PC**



p.89 • **TU**



p.89 • **AS..45°**



p.116-117 • **INSERT**



p.118-119 • **INFO**



p.253 • **Win Tool**

p.90-93 • **TRC 14-40**
Ø 14.5 ~ 66



p.93 • **SF..**

p.94-97 • **TRC 50**
Ø 2.5-110



• **KIT K00**
Ø 6 ~ 22



• **KIT K01**
Ø 6 ~ 110



p.98-101 • **TRC 63**
Ø 6 ~ 125



• **KIT K01**
Ø 6 ~ 125



p.102-105 • **TRC 80**
Ø 6 ~ 125



• **KIT K01**
Ø 6 ~ 200



p.97-101-105

• **SF..**



p.106-109 • **TRC 32 HS**
Ø 2.5 ~ 18



• **KIT K01**
Ø 2.5 ~ 12



p.106-109 • **TRM 32 HSB**
Ø 2.5 ~ 18



• **KIT K01**
Ø 2.5 ~ 12



p.110-111 • **TRC 50 HS**
Ø 2.5 ~ 22



• **KIT K01**
Ø 6 ~ 22



p.110-111 • **TRM 50 HSB**
Ø 2.5 ~ 22



• **KIT K01**
Ø 6 ~ 22



p.112-115 • **TRD 25-80**
Ø 28 ~ 120



• **SS.. - SF..**



p.115 • **SS.. - SF..**

- CHUCKING TOOLS
- АДАПТОРЫ
- ADAPTERY
- UPÍNACÍ NÁSTROJE
- TORNA AYNALARI

p.130 • **PE**



p.130 • **MHD FORCE**



p.131 • **AW**



p.132 • **PF**



p.133 • **CM**



p.134 • **AM**



p.134 • **B16**



p.134 • **NS**



p.135 • **ACR/NC**



p.135 • **ACR**



- WHAT IS MHD'?
- ЧТО ТАКОЕ MHD'?
- CZYM JEST MHD'?
- CO JE MHD'?
- MHD NEDIR'?



GB High precision modular toolholders for machine tools and machining centers that allow boring, milling, drilling, and tapping operations to be carried out with extreme flexibility and rigidity. The cylindrical-conical coupling comes in eleven, sizes, ensuring the interchangeability of all the elements of the system that includes the base arbors HSK, DIN, BT, CAT and Polygon-shank, toolholder extensions, reductions, and adapters. The broad boring program for machining diameters from 2.5 to 2700 mm completes the MHD' line with roughing double-bit heads and centesimal and micrometric Testarossa finishing heads with a 2µm sensitivity adjustment.

RU Модульная высокоточная система держателей для станков и обрабатывающих центров позволяющая осуществить с предельной простотой и гибкостью операции растачивания, фрезерования, сверления и нарезания резьб. Благодаря цилиндрико-коническому соединению, имеющемуся в одиннадцати размерах, возможна взаимозаменяемость всех частей системы, включающей стандартные крепления HSK, DIN, BT, CAT и Polygon-shank, удлинители, переходники и адаптеры держателей. Богатая программа расточки для обработки диаметров от 2,5 до 2700 мм, завершает линию MHD' двухрезцовой головкой черновой обработки и чистовыми соточными и микрометрическими головками Testarossa с точностью регулировки до 2 мкм.

PL Jest to system modułowych, wysoko precyzyjnych oprawek narzędziowych nadający się do wykorzystania na obrabiarkach i centrach obróbczych przeznaczonych do wykonywania z maksymalną elastycznością i sztywnością wszelkich operacji wytaczania, frezowania, wiercenia i gwintowania. Połączenie cylindryczno – stożkowe, dostępne w jedenastu rozmiarach, gwarantuje wymiennność wszystkich elementów systemu zawierającego podstawowe uchwyty narzędziowe, takie jak: HSK, DIN, BT, CAT i Polygon-shank, przedłużki, elementy redukcyjne i adaptory oprawek narzędziowych. Bogaty program wytaczania umożliwia obróbkę średnic od 2,5 do 2700 mm. Kompletna linia MHD' zawiera dwunożowe głowice do obróbki zgrubnej oraz głowice wykańczające setne i mikrometryczne Testarossa o czułości 2µm.

CZ Vysoce přesné modulární nástrojové držáky pro obráběcí stroje a obráběcí centra, které umožňují provádět operace vyvrtávání, frézování, vrtání a závitorezání s extrémní pružností a pevností. Válcová-kónická spojka je v jedenácti velikostech, což zajišťuje zaměnitelnost všech prvků systému, které zahrnují základové hřídele HSK, DIN, BT, CAT a polygonové vřeteno, nástavce nástrojových držáků, redukce a adaptéry. Široký program pro vyvrtávání pro frézované průměry od 2,5 to 2700 mm doplňuje řadu MHD o drsníci dvouhrotové hlavy a centezimální a mikrometrické hlavy Testarossa pro dokončování s nastavováním citlivosti až na 2µm.

TR Takim tezgahları ve işleme merkezleri için delme, delik açma, frezeleme ve diş açma işlemlerinin benzersiz bir esneklik ve sağlamlıkla yapılabilmesini sağlayan yüksek hassasiyetli modüler alet tutucular. Silindirik-konik kaplin on bir farklı ebatta mevcuttur ve bu özelliği sayesinde HSK, DIN, BT, CAT ve poligon sap, takım tutucu uzatmaları, kısaltmaları ve adaptörleri gibi sistemin tüm parçaları birbiriyle değiştirilebilir. 2,5 - 2700 mm arasında değişen işleme çaplarını kapsayan geniş delik açma programı, çift uçlu kafalar ve yüzde birlik ve mikrometrik Testarossa finiş kafaları (2µm hassasiyetinde ayarla) ile MHD ürün yelpazesini tamamlar.



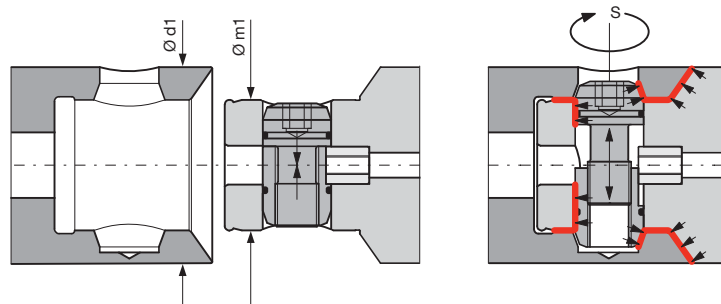
GB The MHD' coupling is the heart of the tool system as it ensures utmost rigidity and concentricity during milling and boring operations. This is achieved by the (patented) cylindrical-conical fit and by a radial expanding bolt for clamping and driving.

RU Держатель MHD' является преимуществом Modulhard'andrea, так как гарантирует максимальную жесткость и соосность при операциях фрезерования и растачивания благодаря цилиндро-коническому соединению (запатентовано) и радиальному разжимному штифту для осевого крепления.

PL Złącze MHD stanowi serce systemu MODULHARD'ANDREA, gdyż pozwala frezować i wytaczać przy zachowaniu dużej sztywności i współśrodkowości. Wszystko to dzięki walcowo -stożkowemu, opatentowanemu połączeniu oraz dzięki promieniowo rozprężnemu sworzniowi blokującemu osie i momentowi przenoszenia.

CZ Spojka MHD je centrem nástrojového systému, nebot' zajišťuje nejvyšší pevnost a středovost v průběhu operací frézování a vyvrtávání. To je docíleno pomocí (patentovaného) válcového-kónického lícování a radiálním expanzním šroubem pro uchycování a pohon.

TR MHD kaplin, frezeleme ve delik açma işlemleri sırasında en yüksek sağlamlığı ve eş merkezliliği sunduğundan takım sisteminin kalbidir. Bu, patenti silindirik-konik geçme ve sıkıştırma/hareket ettirme için kendinden genişleyen radyal civata sayesinde elde edilir.



MHD'	Ø d1	Ø m1	S	Nm
MHD' 14	14	10	2,5	2 - 2,5
MHD' 16	16			
MHD' 20	20	13	3	4 - 4,5
MHD' 25	25	16	3	6,5 - 7,5
MHD' 32	32	20	4	7 - 8
MHD' 40	40	25	5	16 - 18
MHD' 50	50	32	6	30 - 35
MHD' 63	63	42	8	70 - 80
MHD' 80	80			
MHD' 110	110	76	14	200 - 220
MHD' 140	140			

- GENERAL INFORMATIONS
- ОБЩАЯ ИНФОРМАЦИЯ
- DANE OGÓLNE
- OBECNÉ VLASTNOSTI
- GENEL BİLGİLER

GB Assembly: Secure the arbor to a rigid support. Fit the required component (adaptor, extension, boring head etc.) to the arbor ensuring that the radial expanding pin does not project from the cylindrical part. Clamp the component by turning the radial pin clockwise with the exagonal wrench provided or with a torque wrench. **Disassembly:** secure the arbor to a rigid support. Unlock the radial pin by turning it counterclockwise.

RU Сборка: Закрепить держатель на основании. Установить нужный элемент (переходник, удлинитель, головка дря расточки и т.п.), удостовериться в том, что радиальный штифт не выступает из цилиндрической втулки. Заблокировать, вращая по часовой стрелке радиальный штифт с помощью прилагаемого шестигранного ключа или с помощью торсиометрического ключа. **Разборка:** Закрепить держатель на основании, разблокировать радиальный штифт, вращая против часовой стрелки до упора.

PL Montaż: Podstawowy uchwyt narzędziowy umieścić w oprawce. Zamontować żądany element (reduktor, przedłużkę, głowicę do wytaczania itp.), upewniając się że sworznię promieniową nie wystaje z piasty cylindrycznej. Zablokować przekręcając sworznię promieniową w kierunku zgodnym z ruchem wskazówek zegara (używając w tym celu klucz sześciokątny będący na wyposażeniu lub klucz dynamometryczny). **Demontaż:** Podstawowy uchwyt narzędziowy umieścić w oprawce. Odblokować, przekręcając sworznię promieniową w kierunku przeciwnym do ruchu wskazówek zegara.

CZ Montáž: Zajistěte hřídel na pevnou podpěru. Upevněte potřebnou součást (adaptér, nástavec, vyvrtávací hlavu atd.) na hřídel a zajistěte, aby radiální expanzní kolík nevystupoval z válcové části. Upněte díl otáčením radiálního kolíku ve směru hodinových ručiček pomocí dodaného šestihranného klíče nebo momentového klíče. **Demontáž:** Zajistěte hřídel na pevnou podpěru. Uvolněte radiální kolík otáčením proti směru hodinových ručiček.

TR Montaj: Malafayı sağlam bir desteğe sabitleyin. Gereklî parçayı (adaptör, uzatma, matkap başı vs.), radyal genişlemeli pim silindirik kısımdan uzantı vermeyecek biçimde malafaya sabitleyin. Birlikte verilen altı başlı anahtar veya bir tork anahtarı kullanarak radyal pimi saat yönünde döndürün ve parçayı kenetleyin. **Sökme:** malafayı sağlam bir desteğe sabitleyin. Saatin aksi yönünde döndürerek radyal pimin kilidini açın.

D'ANDREA

MODULHARD'ANDREA

- ARBORS EXTENSIONS REDUCTIONS
- ДЕРЖАТЕЛИ, УДЛИННИТЕЛИ, ПЕРЕХОДНИКИ
- PODSTAWOWE UCHWYTY NARZĘDZIOWE, PRZEDŁUŻKI, ELEMENTY REDUKCYJNE
- NÁSTAVBY A REDUKCE HŘÍDELÍ
- MALAFALAR UZATMALAR KISALTMALAR

GB ARBORS. Arbors are manufactured in accordance with DIN 69871 A-B, MAS 403 BT, DIN 2080, ANSI-CAT, DIN 69893-A, ISO 26623-1 and are made of carburized steel, hardened and ground to AT3 tolerance. Arbor sizes MHD' 80, 110 and 140 are recommended for heavy milling and for bores deeper than 250 mm and exceeding 125 mm diameter. Special arbors are available on request.

EXTENSIONS. Extensions of various lengths are available for each MHD' size, allowing greater flexibility in machining depth.

REDUCTIONS. MHD' components of a smaller size can be used by means of adaptor sleeves which allow greater interchangeability and ensure tool rigidity.

RU ДЕРЖАТЕЛИ. Держатели производятся в соответствии с нормами DIN 69871 A-B, MAS 403 BT, DIN 2080, ANSI-CAT, DIN 69893-A, ISO 26623-1 и изготавливаются из углеродистой стали, закаленной и отшлифованной в соответствии с классом точности AT3. Использование держателей размером MHD'80, 110 и 140 рекомендуется для тяжелых фрезерных операций и растачивания отверстий глубиной более 250 мм, имеющих диаметр свыше 125мм. По запросу могут быть изготовлены нестандартные держатели. **УДЛИННИТЕЛИ.** Для каждого размера MHD существуют удлинители различной длины, что позволяет оптимизировать желаемую глубину обработки. **ПЕРЕХОДНИКИ.** Компоненты MHD меньших размеров могут быть использованы с переходными втулками, которые обеспечивают широкую взаимозаменяемость и гарантируют жесткость инструмента.

PL PODSTAWOWE UCHWYTY NARZĘDZIOWE. Uchwyty wykonywane są zgodnie z wymaganiami norm DIN 69871 A-B, MAS 403 BT, DIN 2080, ANSI-CAT, DIN 69893-A, ISO 26623-1 i są produkowane ze stali nawęglonej, hartowanej i szlifowanej z zachowaniem tolerancji AT3. Elementy ze złączem MHD' 80, 110 i 140 są zalecane do ciężkiego frezowania i do głębokiego wytaczania ponad 250 mm, przy średnicach większych niż 125 mm. Istnieje możliwość wykonania specjalnych uchwytów narzędziowych.

PRZEDŁUŻKI. Do każdej wielkości modułu MHD produkowane są przedłużki o różnych długościach, które pozwalają osiągnąć wymagane głębokości obróbki.

ELEMENTY REDUKCYJNE. Redukcje pozwalają zastosować komponenty z modulem MHD mniejszym o jeden, bądź więcej rozmiarów tak, aby zapewnić większą wymiennność i stabilność narzędzia.

CZ HŘÍDELE. Hřídele jsou vyrobeny v souladu s DIN 69871 A-B, MAS 403 BT, DIN 2080, ANSI-CAT, DIN 69893-A, ISO 26623-1 a jsou vyrobeny z uhlíkové oceli, tvrzené a broušené na toleranci AT3. Velikosti hřídelí MHD 80, 110 a 140 se doporučují pro náročné frézování a pro vrtání hlubší než 250 mm a s průměrem přesahujícím 125 mm. Speciální hřídele jsou k dispozici na vyžádání.

NÁSTAVCE. Pro každý rozměr MHD jsou k dispozici nástavce různých délek, což umožňuje větší pružnost při obrábění do hloubky.

REDUKCE. Komponenty MHD menších rozměrů je možno použít pomocí pouzder adaptérů, které umožňují větší zaměnitelnost a zajišťují pevnost nástroje.

TR MALAFALAR. Malafalar DIN 69871 A-B, MAS 403 BT, DIN 2080, ANSI-CAT, DIN 69893-A ve ISO 26623-1 standartlarına uygun üretilmektedir ve sertleştirilerek AT3 toleransına getirilmiş karbonlanmış çelikten mamuldür. MHD' 80, 110 ve 140 malafa boyları, 250 mm'den derin delikler ve 125 mm'den geniş çaplar ile ağır frezeleme işleri için önerilir. Özel malafalar isteğe bağlı sunulmaktadır.

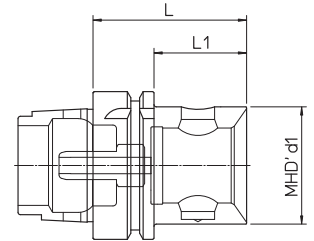
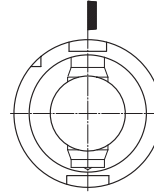
UZATMALAR. Her bir MHD' boyu için farklı uzunluklarda uzatmalar bulunması, işleme derinliği konusundaki esnekliği artırmaktadır.

KISALTMALAR. Daha küçük boydaki MHD' bileşenleri, parçaların birbiriyle değiştirilebilirliğini artıran ve takımların sağlamlığını temin eden adaptör manşonları aracılığıyla kullanılabilir.



- ARBORS
- ДЕРЖАТЕЛИ
- PODSTAWOWE UCHWYTY NARZĘDZIOWE
- HŘÍDELE
- MALAFALAR

DIN 69893 HSK-A

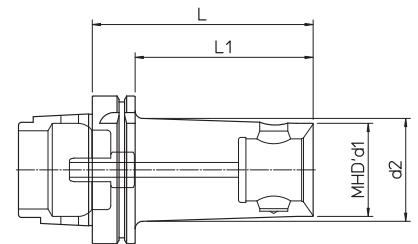
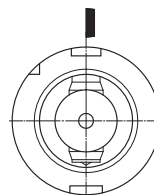


- Supplied with coolant tube
- Имеется соединение для хладагента
- Komplet złączek do cieczy chłodzącej
- Dodávané s chladicím potrubím
- Soğutma sıvısı borusuyla tedarik edilir

- * Supplied without hole
- * Поставляется без отверстия
- * Dostarczane bez otworu
- * Dodáváno bez otvoru
- * Su deliksiz tedarik edilimkte

HSK-A	REF.	CODE	MHD' d ₁	L	L ₁	kg
40	HSK-A40 MHD'32.48	416321504020 *	32	48	28	0.4
50	HSK-A50 MHD'50.66	416501505020	50	66	–	0.6
63	HSK-A63 MHD'40.60	416401506320	40	60	34	0.7
	HSK-A63 MHD'50.66	416501506320	50	66	40	0.9
	HSK-A63 MHD'63.75	416631506320	63	75	–	1.1
80	HSK-A80 MHD'50.70	416501508020	50	70	44	1.5
	HSK-A80 MHD'63.80	416631508020	63	80	54	1.8
	HSK-A80 MHD'80.86	416801508020	80	86	–	2.1
100	HSK-A100 MHD'50.72	416501510020	50	72	43	2.4
	HSK-A100 MHD'63.82	416631510020	63	82	53	2.7
	HSK-A100 MHD'80.88	416801510020	80	88	59	3

DIN 69893 HSK-A

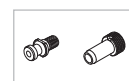


- Supplied with coolant tube
- Имеется соединение для хладагента
- Komplet złączek do cieczy chłodzącej
- Dodávané s chladicím potrubím
- Soğutma sıvısı borusuyla tedarik edilir

HSK-A	REF.	CODE	MHD' d ₁	d ₂	L	L ₁	kg
63	HSK-A63 MHD'40.120	416401506328	40	46	120	94	1.4
	HSK-A63 MHD'50.120	416501506328	50	–			1.7
100	HSK-A100 MHD'50.120	416501510028	50	60	150	121	3.2
	HSK-A100 MHD'63.150	416631510028	63	70			4.5
	HSK-A100 MHD'80.180	416801510028	80	–			180

240

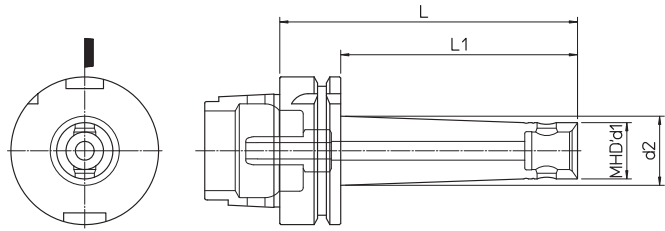
248



- ARBORS
- ДЕРЖАТЕЛИ
- PODSTAWOWE UCHWYTY NARZĘDZIOWE
- HŘÍDELE
- MALAFALAR

DIN 69893

HSK-A

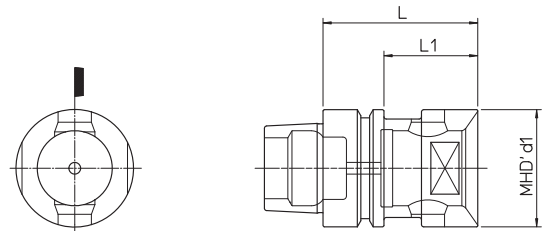


- Supplied with coolant tube
- Имеется соединение для хладагента
- Komplet złączek do cieczy chłodzącej
- Dodávané s chladicím potrubím
- Soğutma sıvısı borusuyla tedarik edilir

HSK-A	REF.	CODE	MHD' d1	d2	L	L1	kg
63	HSK-A63 MHD'16.63	416160656320	16	17	63	37	0.7
	HSK-A63 MHD'16.100	416161056320		19.5	100	74	0.8
	HSK-A63 MHD'20.63	416200656320	20	-	63	37	0.6
	HSK-A63 MHD'20.90	416200956320		22.5	90	64	0.8
	HSK-A63 MHD'20.125	416201256320		25	125	99	0.9
	HSK-A63 MHD'25.63	416250656320	25	-	63	37	0.7
	HSK-A63 MHD'25.90	416250956320		27	90	64	0.9
	HSK-A63 MHD'25.125	416251256320		29.5	125	99	1
	HSK-A63 MHD'32.90	416320956320		32	33.5	90	64
	HSK-A63 MHD'32.125	416321256320	36		125	99	1.2

DIN 69893

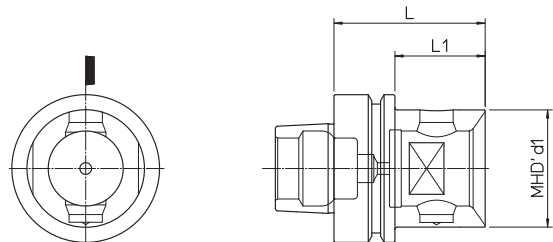
HSK-E



HSK-E	REF.	CODE	MHD' d1	L	L1	kg
40	HSK-E40 MHD'32.42	416321504025	32	42	22	0.5
50	HSK-E50 MHD'50.66	416501505025	50	66	-	0.6
63	HSK-E63 MHD'50.66	416501506325			40	0.9

DIN 69893

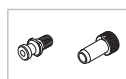
HSK-F



HSK-F	REF.	CODE	MHD' d1	L	L1	kg
63	HSK-F63 MHD'50.65	416501506326	50	65	39	0.8

248

240



- ARBORS
- ДЕРЖАТЕЛИ
- PODSTAWOWE UCHWYTY NARZĘDZIOWE
- HŘÍDELE
- MALAFALAR

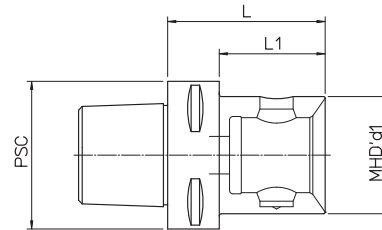
PSC-MHD'
ISO 26623-1


fig.1

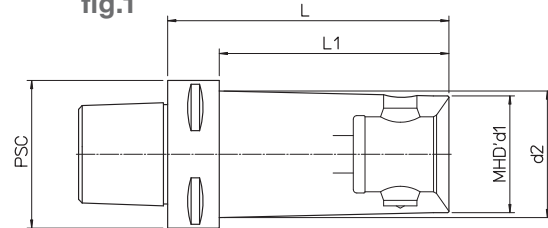
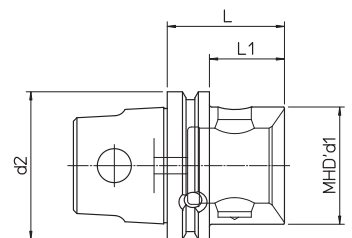


fig.2

PSC	REF.	CODE	MHD' d1	d2	L	L1	Kg.	fig.
40	PSC 40 - MHD' 32.42	416322604004	32	-	42	22	0.3	1
	PSC 40 - MHD' 40.45	416402604004	40		45	0.4		
50	PSC 50 - MHD' 50.55	416502605005	50		55	0.8		
	PSC 63 - MHD' 40.50	416402606305	40		50	28	0.9	
63	PSC 63 - MHD' 40.120	416402606312	40	44	120	98	1.5	2
	PSC 63 - MHD' 50.55	416502606305		55	33	0.8	1	
	PSC 63 - MHD' 50.67	416502606306	50	67	45	1.1	1	
	PSC 63 - MHD' 50.120	416502606312	54	120	98	1.9	2	
	PSC 63 - MHD' 63.77	416632606307	63	77	1.8	1		
	80	PSC 80 - MHD' 50.60	416502608006	50	60	30	2	1
PSC 80 - MHD' 50.120		416502608012	54		120	90	2.8	2
PSC 80 - MHD' 63.70		416632608007	63	70	40	2.3	1	
PSC 80 - MHD' 63.150		416632608015		67	150	120	4	2
PSC 80 - MHD' 80.75		416802608007	80	75	2.6	1		
PSC 80 - MHD' 80.120		416802608012		120	4.3			
PSC 100 - MHD' 80.80	416802610008	80		44	3.5			
100	PSC 100 - MHD' 110.120	416912610012	110	120	84	5		

ISO 26622-1
KM


KM	REF.	CODE	MHD' d1	d2	L	L1	kg
63	RD KM - MHD' 50.50	657095005063	50	63	50	32	0.8
	RD KM - MHD' 63.70	657096305063	63		70	-	1.2

D'ANDREA

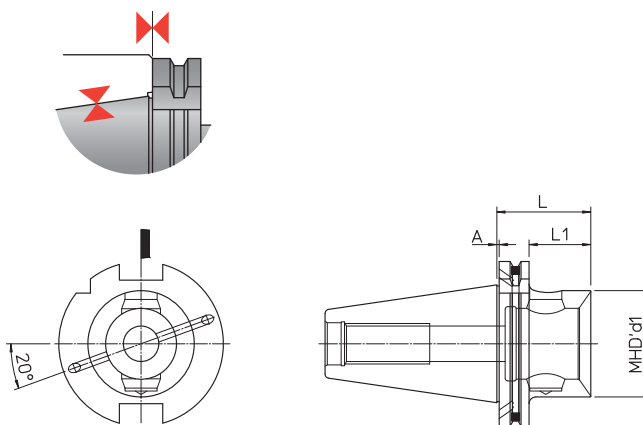
MODULHARD'ANDREA

FACE CONTACT

- ARBORS
- ДЕРЖАТЕЛИ
- PODSTAWOWE UCHWYTY NARZĘDZIOWE
- HŘÍDELE
- MALAFALAR

DIN 69871 FC

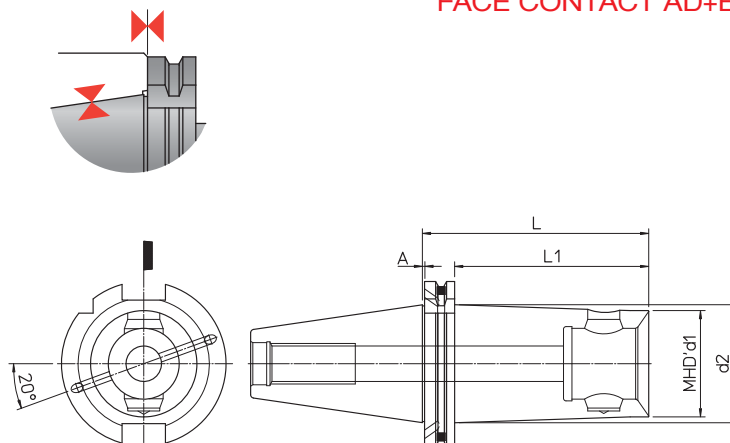
FACE CONTACT AD+B



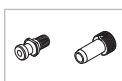
DIN	REF.	CODE	MHD' d ₁	A	L	L ₁	Kg.
40	DIN69871-AD+B40 FC MHD'50.48	416500104021F	50	1	48	29	0.9
	DIN69871-AD+B40 FC MHD'63.80	416630104021F	63		80	-	1.5
50	DIN69871-AD+B50 FC MHD'50.48	416500105021F	50	1.5	48	29	2.5
	DIN69871-AD+B50 FC MHD'63.56	416630105021F	63		56	37	2.8
	DIN69871-AD+B50 FC MHD'80.62	416800105021F	80		62	43	3.4

DIN 69871 FC

FACE CONTACT AD+B

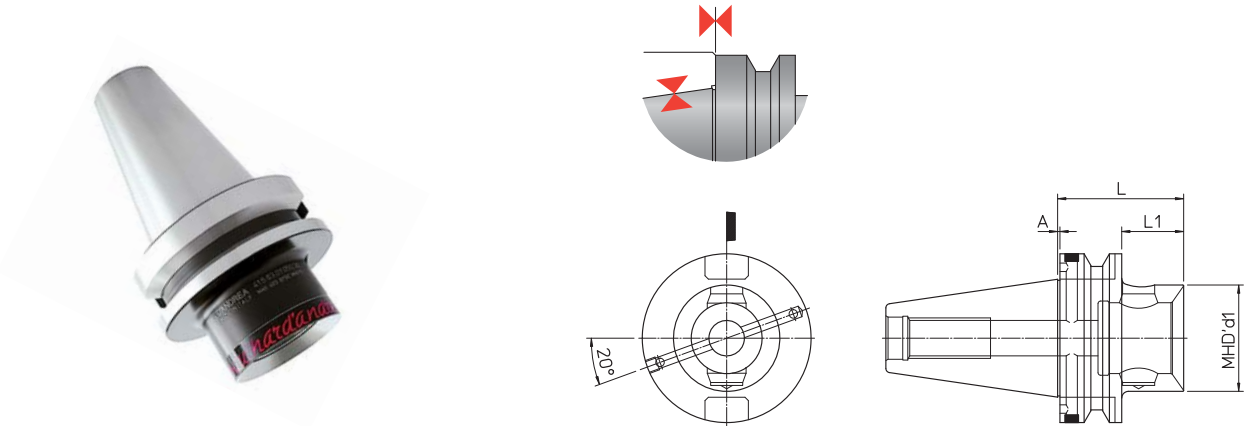


DIN	REF.	CODE	MHD' d ₁	d ₂	A	L	L ₁	Kg.
40	DIN69871-AD+B40 FC MHD'50.120	416500104028F	50	-	1	120	101	1.7
50	DIN69871-AD+B50 FC MHD'50.120	416500105028F		59				3.5
	DIN69871-AD+B50 FC MHD'50.200	416500105027F	68	6.1				
	DIN69871-AD+B50 FC MHD'63.150	416630105028F	75.5	5.2				
	DIN69871-AD+B50 FC MHD'63.250	416630105027F	80	7.1				
	DIN69871-AD+B50 FC MHD'80.180	416800105028F	80	180	6.9			
	DIN69871-AD+B50 FC MHD'80.300	416800105027F		300	9.2			
	DIN69871-AD+B50 FC MHD'110.150	416910105021F	110	150	8			
	DIN69871-AD+B50 FC MHD'110.250	416910105028F		250	15			



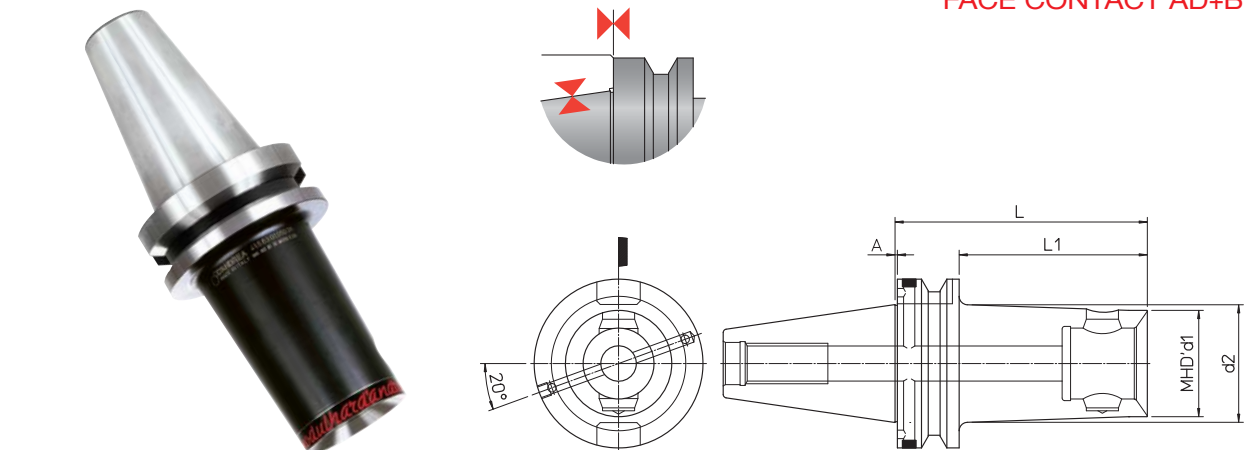
- ARBORS
- ДЕРЖАТЕЛИ
- PODSTAWOWE UCHWYTY NARZĘDZIOWE
- HŘÍDELE
- MALAFALAR

MAS 403 BT FC FACE CONTACT AD+B

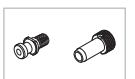


DIN	REF.	CODE	MHD' d ₁	A	L	L ₁	Kg.
40	MAS403 BT40 FC AD+B MHD'50.48	416500104031F	50	1	48	21	0.9
	MAS403 BT40 FC AD+B MHD'63.66	416630104031F	63			-	1.2
50	MAS403 BT50 FC AD+B MHD'50.66	416500105031F	50	1.5	66	28	3.2
	MAS403 BT50 FC AD+B MHD'63.75	416630105031F	63			3.7	
	MAS403 BT50 FC AD+B MHD'80.75	416800105031F	80			4	

MAS 403 BT FC FACE CONTACT AD+B

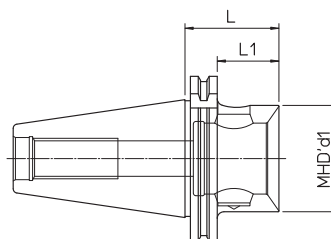
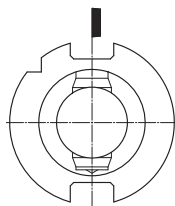


DIN	REF.	CODE	MHD' d ₁	d ₂	A	L	L ₁	Kg.
40	MAS403 BT40 FC AD+B MHD'50.120	416500104038F	50	-	1	120	93	1.9
50	MAS403 BT50 FC AD+B MHD'50.120	416500105038F		57.5			82	4.2
	MAS403 BT50 FC AD+B MHD'50.200	416500105037F	66	200	162	4.5		
	MAS403 BT50 FC AD+B MHD'63.150	416630105038F	63	73.5	150	112	5.8	
	MAS403 BT50 FC AD+B MHD'63.250	416630105037F		84	250	212	6.1	
	MAS403 BT50 FC AD+B MHD'80.180	416800105038F	80	-	1.5	180	142	7.5
	MAS403 BT50 FC AD+B MHD'80.300	416800105037F				300	262	9.2
	MAS403 BT50 FC AD+B MHD'110.150	416910105031F	110	-	150	-	8.1	
	MAS403 BT50 FC AD+B MHD'110.250	416910105038F			250	-	15.3	



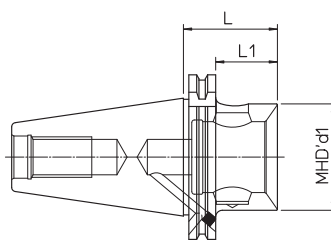
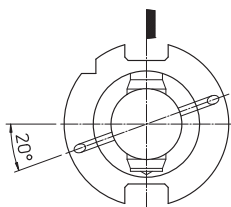
- ARBORS
- ДЕРЖАТЕЛИ
- PODSTAWOWE UCHWYTY NARZĘDZIOWE
- HŘÍDELE
- MALAFALAR

DIN 69871
AD



DIN	REF.	CODE	MHD' d1	L	L1	kg
30	DIN69871-A30 MHD'32.30	416320103020	32	30	11	0.4
	DIN69871-A30 MHD'40.45.5	416400103020	40	45.5	26.5	0.5
	DIN69871-A30 MHD'50.60	416500103020	50	60	-	0.6
40	DIN69871-A40 MHD'40.45	416400104020	40	45	26	0.5
	DIN69871-A40 MHD'50.48	416500104020	50	48	29	0.9
	DIN69871-A40 MHD'50.56	416500104070		56	37	1.1
	DIN69871-A40 MHD'63.80	416630104020	63	80	-	1.5
45	DIN69871-A45 MHD'50.48	416500104520	50	48	29	1.7
	DIN69871-A45 MHD'63.60	416630104520	63	60	41	1.9
	DIN69871-A45 MHD'80.66	416800104520	80	66	-	2.2
50	DIN69871-A50 MHD'50.48	416500105020	50	48	29	2.5
	DIN69871-A50 MHD'63.48	416630105029	63			2.6
	DIN69871-A50 MHD'63.56	416630105020		56	37	2.8
	DIN69871-A50 MHD'80.48	416800105029	80	48	29	3
	DIN69871-A50 MHD'80.62	416800105020		62	43	3.4
	DIN69871-A50 MHD'110.150	416910105020		110	150	-
	DIN69871-A50 MHD'140.160	416940105020	140	160	-	10
60	DIN69871-A60 MHD'50.50	416500106020	50	50	31	8.3
	DIN69871-A60 MHD'63.60	416630106020	63	60	41	9.3
	DIN69871-A60 MHD'80.65	416800106020	80	65	46	10.3
	DIN69871-A60 MHD'110.100	416910106020	110	100	81	10.5
	DIN69871-A60 MHD'110.200	416910106028		200	181	18
	DIN69871-A60 MHD'140.100	416940106020	140	100	81	12.8
	DIN69871-A60 MHD'140.250	416940106028		250	231	30

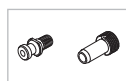
DIN 69871
B



DIN	REF.	CODE	MHD' d1	L	L1	kg
40	DIN69871-B40 MHD'50.48	416500104021	50	48	29	0.9
	DIN69871-B40 MHD'63.80	416630104021	63	80	-	1.5
45	DIN69871-B45 MHD'50.48	416500104521	50	48	29	1.7
	DIN69871-B45 MHD'63.60	416630104521	63	60	41	1.9
	DIN69871-B45 MHD'80.66	416800104521	80	66	-	2.2
50	DIN69871-B50 MHD'50.48	416500105021	50	48	29	2.7
	DIN69871-B50 MHD'63.56	416630105021	63	56	37	2.8
	DIN69871-B50 MHD'80.62	416800105021	80	62	43	3.4

249

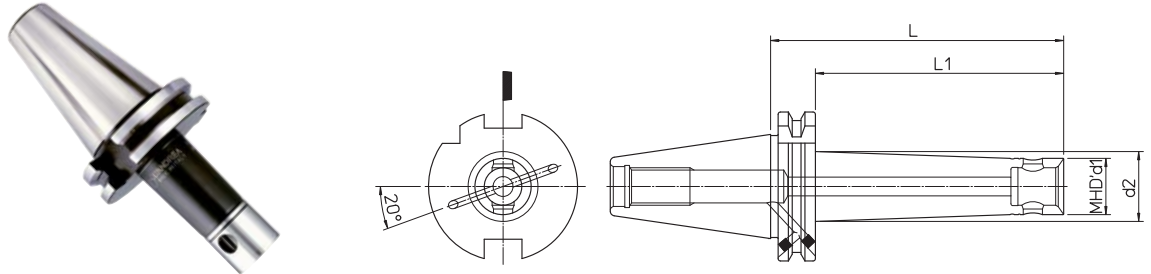
240



- ARBORS
- ДЕРЖАТЕЛИ
- PODSTAWOWE UCHWYTY NARZĘDZIOWE
- HŘÍDELE
- MALAFALAR

DIN 69871

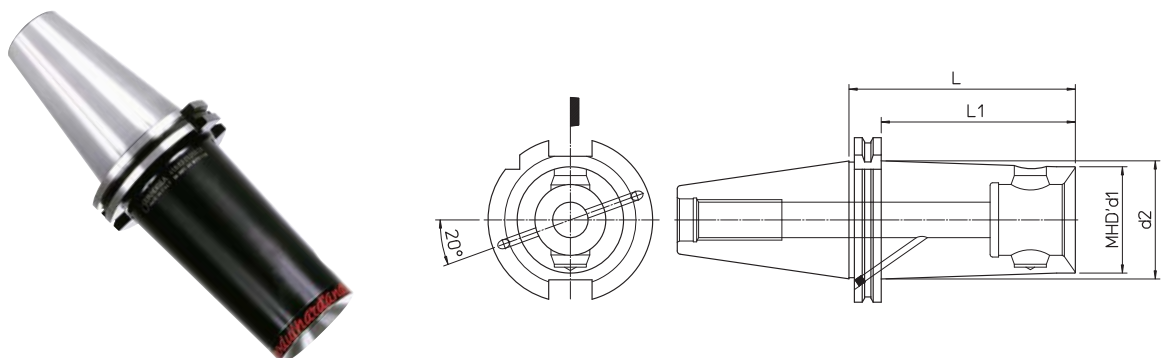
AD+B



DIN	REF.	CODE	MHD' d1	d2	L	L1	kg
40	DIN69871-AD+B40 MHD'16.40	416160414021	16	-	40	21	0.7
	DIN69871-AD+B40 MHD'16.63	416160614021		17.5	63	44	0.8
	DIN69871-AD+B40 MHD'16.100	416161014021		20	100	81	0.9
	DIN69871-AD+B40 MHD'20.50	416200514021	20	-	50	31	0.8
	DIN69871-AD+B40 MHD'20.80	416200814021		22.5	80	61	0.9
	DIN69871-AD+B40 MHD'20.125	416201214021		25.5	125	106	1
	DIN69871-AD+B40 MHD'25.50	416250514021	25	-	50	31	0.9
	DIN69871-AD+B40 MHD'25.80	416250814021		27	80	61	1
	DIN69871-AD+B40 MHD'25.125	416251214021		30	125	106	1.1
	DIN69871-AD+B40 MHD'32.50	416320514021	32	-	50	31	1
	DIN69871-AD+B40 MHD'32.80	416320814021		33.5	80	61	1.1
	DIN69871-AD+B40 MHD'32.125	416321214021		36.5	125	106	1.2

DIN 69871

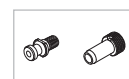
AD+B



DIN	REF.	CODE	MHD' d1	d2	L	L1	kg
40	DIN69871-AD+B40 MHD'40.120	416400104028	40	44.5	120	101	1.4
	DIN69871-AD+B40 MHD'50.120	416500104028	50	-			1.7
50	DIN69871-AD+B50 MHD'50.120	416500105028		50	60	150	131
	DIN69871-AD+B50 MHD'63.150	416630105028	63	70	5		
	DIN69871-AD+B50 MHD'80.180	416800105028	80	-	180		

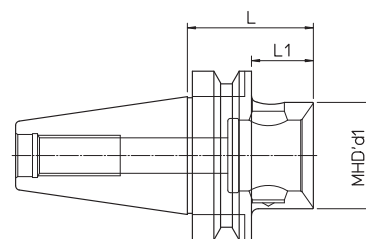
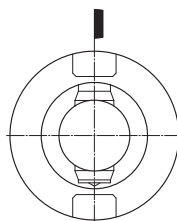
240

249



- ARBORS
- ДЕРЖАТЕЛИ
- PODSTAWOWE UCHWYTY NARZĘDZIOWE
- HŘÍDELE
- MALAFALAR

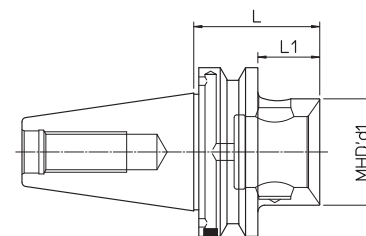
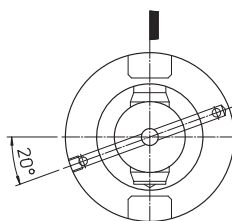
MAS 403 BT



BT	REF.	CODE	MHD' d1	L	L1	kg
30	MAS403 BT30 MHD'32.32	416320103030	32	32	10.5	0.5
	MAS403 BT30 MHD'40.35.5	416400103030	40	35.5	14	0.6
	MAS403 BT30 MHD'50.60	416500103030	50	60	-	0.7
35	MAS403 BT35 MHD'50.60	416500103530			36	0.8
40	MAS403 BT40 MHD'40.45	416400104030	40	45	18	0.6
	MAS403 BT40 MHD'50.38.5	416500104039	50	38.5	11.5	0.8
	MAS403 BT40 MHD'50.48	416500104030		48	21	0.9
	MAS403 BT40 MHD'50.56	416500104080	56	29	1.1	
45	MAS403 BT40 MHD'63.66	416630104030	63	66	-	1.2
	MAS403 BT45 MHD'50.62	416500104530	50	62	29	1.7
	MAS403 BT45 MHD'63.70	416630104530	63	70	37	2.3
MAS403 BT45 MHD'80.70	416800104530	80	2.7			
50	MAS403 BT50 MHD'50.66	416500105030	50	66	28	3.3
	MAS403 BT50 MHD'63.50	416630105039	63	50	12	3.4
	MAS403 BT50 MHD'63.75	416630105030		75	37	3.7
	MAS403 BT50 MHD'80.50	416800105039	80	50	12	3.8
	MAS403 BT50 MHD'80.75	416800105030		75	37	4
	MAS403 BT50 MHD'110.140	416910105030	110	140	-	6.8
MAS403 BT50 MHD'140.150	416940105030	140	150	-	9.2	
60	MAS403 BT60 MHD'110.110	416910106030	110	110	63	11.5
	MAS403 BT60 MHD'110.200	416910106038		200	152	18.1
	MAS403 BT60 MHD'140.100	416940106030	140	100	52	12.9
	MAS403 BT60 MHD'140.250	416940106038		250	202	30.1

MAS 403 BT

B



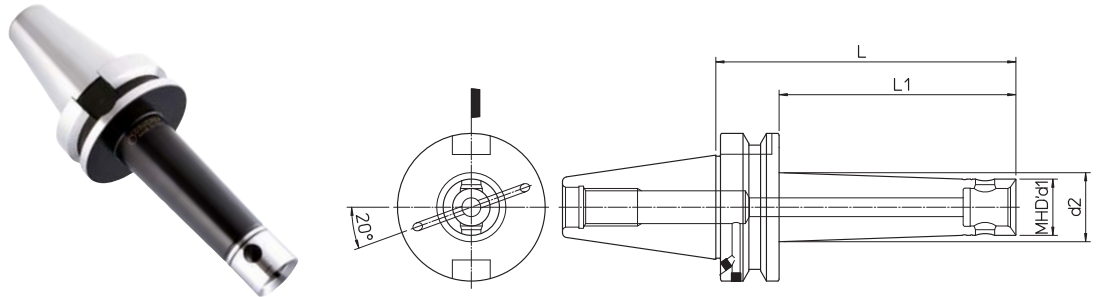
BT	REF.	CODE	MHD' d1	L	L1	kg
40	MAS403 BT40B MHD'50.48	416500104031	50	48	21	0.9
	MAS403 BT40B MHD'63.66	416630104031	63	66	-	1.2
50	MAS403 BT50B MHD'50.66	416500105031	50	66	28	3.5
	MAS403 BT50B MHD'63.75	416630105031	63	75	37	3.7
	MAS403 BT50B MHD'80.75	416800105031	80			4



- ARBORS
- ДЕРЖАТЕЛИ
- PODSTAWOWE UCHWYTY NARZĘDZIOWE
- HŘÍDELE
- MALAFALAR

MAS 403 BT

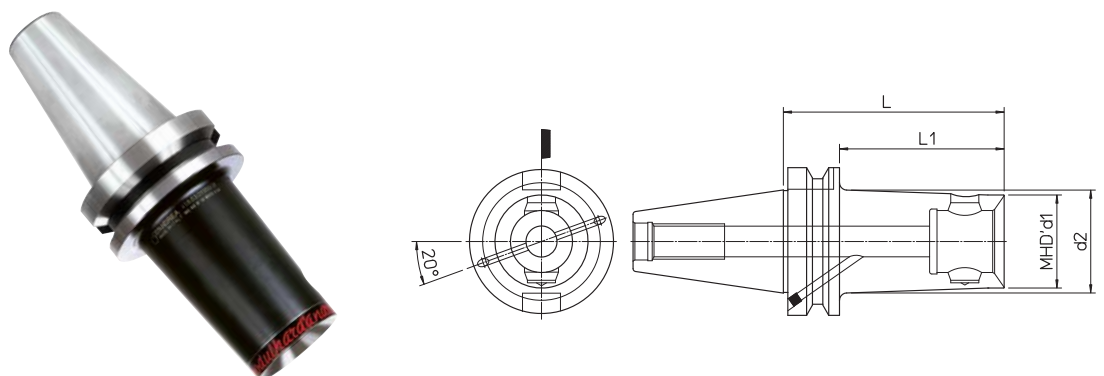
AD+B



BT	REF.	CODE	MHD' d1	d2	L	L1	kg
40	MAS403 BT40-AD+B MHD'16.45	416160414031	16	-	45	18	0.8
	MAS403 BT40-AD+B MHD'16.63	416160614031		17	63	36	0.9
	MAS403 BT40-AD+B MHD'16.100	416161014031		19.5	100	73	1
	MAS403 BT40-AD+B MHD'20.50	416200514031	20	-	50	23	0.9
	MAS403 BT40-AD+B MHD'20.80	416200814031		22	80	53	1
	MAS403 BT40-AD+B MHD'20.125	416201214031		25	125	98	1.1
	MAS403 BT40-AD+B MHD'25.50	416250514031	25	-	50	23	1
	MAS403 BT40-AD+B MHD'25.80	416250814031		26.5	80	53	1.1
	MAS403 BT40-AD+B MHD'25.125	416251214031		29.5	125	98	1.2
	MAS403 BT40-AD+B MHD'32.50	416320514031	32	-	50	23	1.1
	MAS403 BT40-AD+B MHD'32.80	416320814031		33	80	53	1.2
	MAS403 BT40-AD+B MHD'32.125	416321214031		36	125	98	1.4

MAS 403 BT

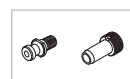
AD+B



BT	REF.	CODE	MHD' d1	d2	L	L1	kg
40	MAS403 BT40-AD+B MHD'40.120	416400104038	40	44.5	120	93	0.9
	MAS403 BT40-AD+B MHD'50.120	416500104038	50	-			1.9
50	MAS403 BT50-AD+B MHD'50.120	416500105038		63	60	150	112
	MAS403 BT50-AD+B MHD'63.150	416630105038	70		5.8		
	MAS403 BT50-AD+B MHD'80.180	416800105038	80		-		

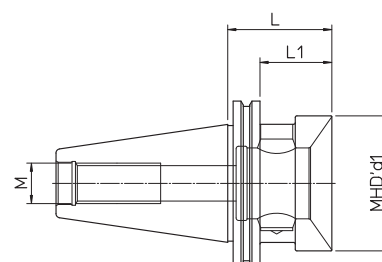
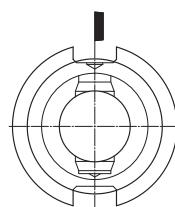
240

249



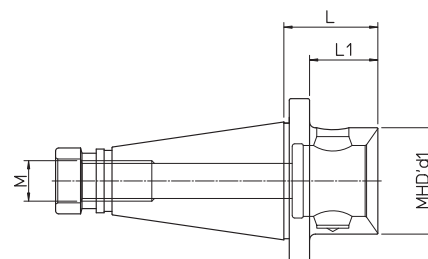
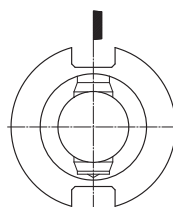
- ARBORS
- ДЕРЖАТЕЛИ
- PODSTAWOWE UCHWYTY NARZĘDZIOWE
- HŘÍDELE
- MALAFALAR

ANSI/CAT



ANSI/CAT	REF.	CODE	MHD' d1	L	L1	M	kg
40	ANSI/CAT40 MHD'50.66	416500104040	50	66	47	M16	1.1
	ANSI/CAT40 MHD'63.100	416630104040	63	100	-		1.9
45	ANSI/CAT45 MHD'50.48	416500104540	50	48	29	M20	1.7
	ANSI/CAT45 MHD'63.75	416630104540	63	75	56		2.1
	ANSI/CAT45 MHD'80.80	416800104540	80	80	-		2.7
50	ANSI/CAT50 MHD'50.48	416500105040	50	48	29	M24	2.4
	ANSI/CAT50 MHD'63.56	416630105040	63	56	37		2.9
	ANSI/CAT50 MHD'80.62	416800105040	80	62	43		3.2

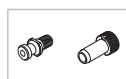
DIN 2080-A 'OTT'



ISO	REF.	CODE	MHD' d1	L	L1	M	kg
30	DIN2080-A30 MHD'50.58	416500103000	50	58	-	M12	0.6
40	DIN2080-A40 MHD'50.48	416500104000	50	48	36.5	M16	0.9
	DIN2080-A40 MHD'63.60	416630104000	63	60	-		1.2
45	DIN2080-A45 MHD'50.48	416500104500	50	48	33	M20	1.6
	DIN2080-A45 MHD'63.56	416630104500	63	56	41		1.9
	DIN2080-A45 MHD'80.66	416800104500	80	66	-		2.2
50	DIN2080-A50 MHD'50.48	416500105000	50	48	33	M24	2.6
	DIN2080-A50 MHD'63.56	416630105000	63	56	41		2.7
	DIN2080-A50 MHD'80.60	416800105000	80	60	45		3.2

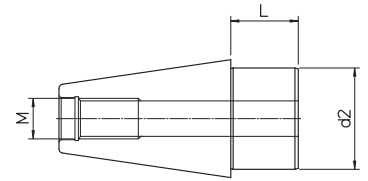
250

240



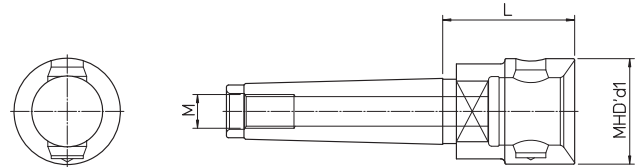
- ARBORS
- ДЕРЖАТЕЛИ
- PODSTAWOWE UCHWYTY NARZĘDZIOWE
- HŘÍDELE
- MALAFALAR

ISO 50 D.60
ISO 60 D.60



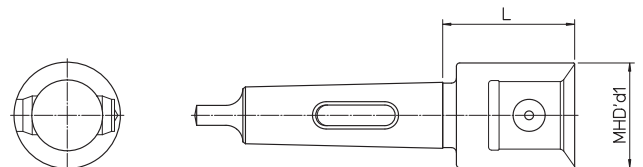
REF.	CODE	d2	L	M	Kg.
ISO 50 D.60	71ISO-50-DC6040	60	40	24	4.8
ISO 60 D.60	71ISO-60-DC6040			30	9.7

DIN 228/A 2207



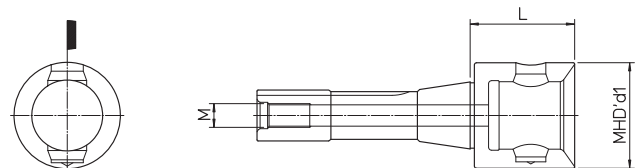
MORSE	REF.	CODE	MHD' d1	L	M	kg
4	MORSE4-A MHD'50.63	416500300400	50	63	M16	0.9
4 SIP	MORSE4-A SIP MHD'50.63	416500300401			M14	

DIN 228/B 1806



MORSE	REF.	CODE	MHD' d1	L	kg
4	MORSE4-B MHD'50.56	416500200400	50	56	0.9
5	MORSE5-B MHD'63.65	416630200500	63	65	1.5

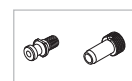
R8



REF.	CODE	MHD' d1	L	M	kg
R 8	416500500800	50	50	M12x1.75	0.8

240

251



- ARBORS
- ДЕРЖАТЕЛИ
- PODSTAWOWE UCHWYTY NARZĘDZIOWE
- HŘÍDELE
- MALAFALAR

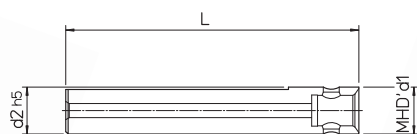


fig.1

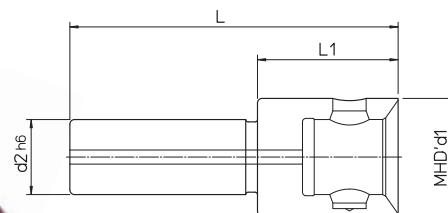
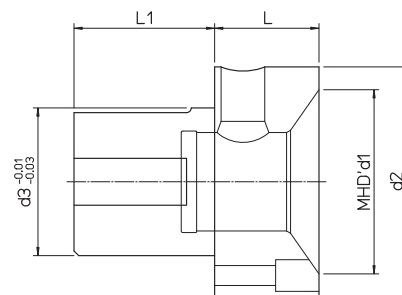
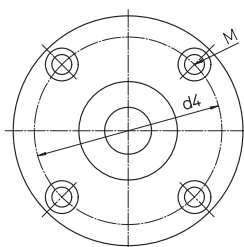


fig.2

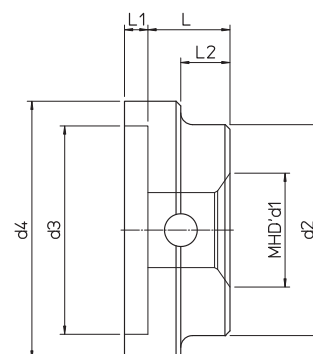
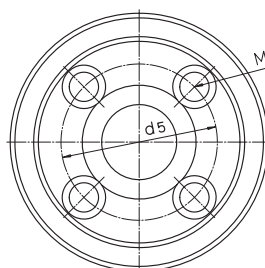
BR

REF.	CODE	MHD' d ₁	L	L ₁	d ₂	kg	fig.
BR 16/16.100	657081601001	16	100	-	16	0.15	1
BR 20/20.125	657082001251	20	125	-	20	0.3	
BR 25/32.35	416320802500	32	100	35	25	0.7	2
BR 32/50.60	416500803200	50	140	60	32	1	



MR

REF.	CODE	MHD' d ₁	d ₂	d ₃	d ₄	L	L ₁	M	kg
MR 50/80.80	450208001060	63 ~ 80	80	50	65	45	50	M6	1.5
MR 63/98.80	450209801060		98	63	80		60	M8	3.1
MR 80/130.80	450213001240		130	80	104.6		80	M10	6.1
MR 80/130.110	450213001340	110				105		9	

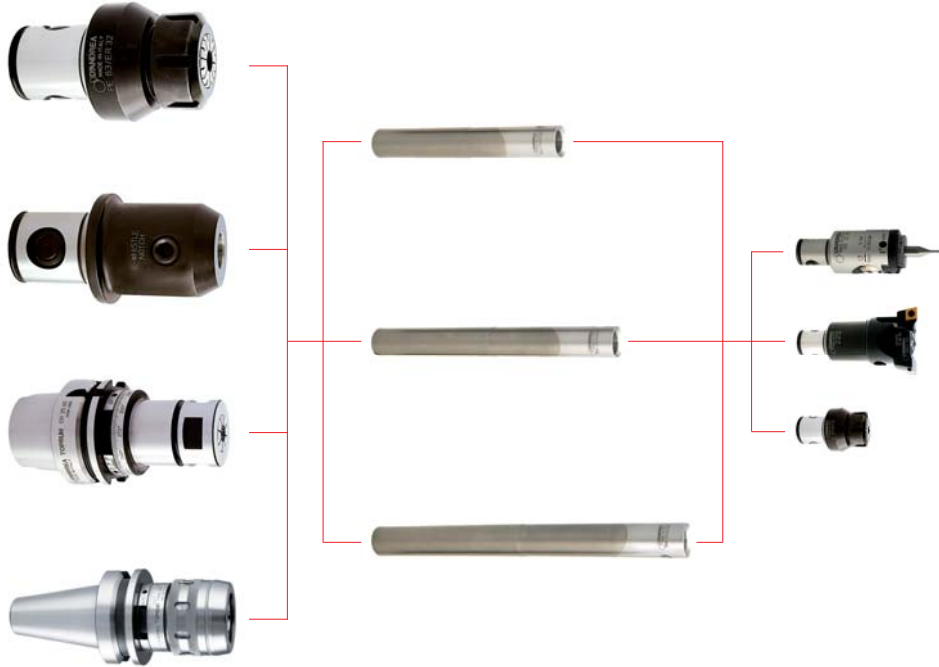


DIN 2079

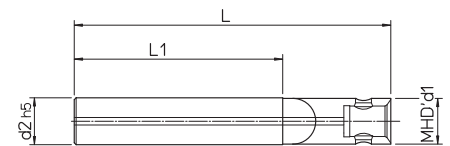
REF.	CODE	MHD' d ₁	d ₂	d ₃	d ₄	d ₅	L	L ₁	L ₂	M	kg
DIN 2079-40.50	416502004000	50	90	88.89	110	66.7	35	10	21	M12	1.8
DIN 2079-40.63	416632004000	63					47		31		2
DIN 2079-50.63	416632005000	63	135	128.57	150	101.6	45	12	36	M16	5.4
DIN 2079-50.80	416802005000	80					50		98		5.3
DIN 2079-50.110	416912005000	110					112				8.4
DIN 2079-50.140	416942005000	140					122		108		9.5

- CARBIDE BARS FOR DEEP-HOLE MACHINING
- ТВЕРДОСПЛАВНЫЕ ОПРАВКИ ДЛЯ ОБРАБОТКИ ГЛУБОКИХ ОТВЕРСТИЙ
- WYTACZADŁA Z TWARDEGO METALU DO GŁĘBOKICH OBRÓBEK
- KARBIDOVÉ TYČE PRO OBRÁBĚNÍ HLUBOKÝCH OTVORŮ
- DERIN DELIKLI İŞLEME İÇİN KARBÜR ÇUBUKLAR

BMD PROGRAM



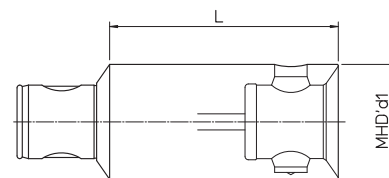
BMD



REF.	CODE	MHD' d ₁	d ₂	L	L ₁	kg
BMD 16/16.110	657081601105	16	16	110	70	0.3
BMD 16/16.140	657081601405			140	100	0.4
BMD 16/16.170	657081601705			170	130	0.5
BMD 20/20.135	657082001355	20	20	135	89	0.6
BMD 20/20.170	657082001705			170	124	0.75
BMD 20/20.210	657082002105			210	164	0.9
BMD 25/25.160	657082501605	25	25	160	107	1
BMD 25/25.205	657082502055			205	152	1.3
BMD 25/25.255	657082502555			255	202	1.6
BMD 32/32.195	657083201955	32	32	195	130	2.1
BMD 32/32.250	657083202505			250	185	2.8
BMD 32/32.315	657083203155			315	250	3.5

- EXTENSIONS
- УДИЛИННИТЕЛИ
- PRZEDŁUŻKI
- NÁSTAVCE
- UZATMALAR

PR

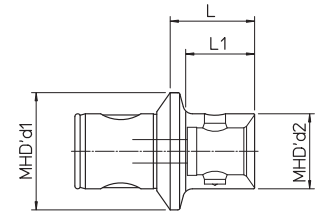


REF.	CODE	MHD' d ₁	L	kg
PR 14.25	656901400250	14	25	0.02
PR 16.25	656901600250	16		0.04
PR 20.32	656902000320	20	32	0.07
PR 25.25	656902500250	25	25	0.09
PR 25.40	656902500400		40	0.15
PR 32.32	656903200320	32	32	0.2
PR 32.50	656903200500		50	0.3
PR 40.40	656904000400	40	40	0.4
PR 40.63	656904000630		63	0.6
PR 50.50	656905000500	50	50	0.7
PR 50.80	656905000800		80	1.1
PR 50.100	656905001000		100	1.5
PR 63.63	656906300630	63	63	1.4
PR 63.100	656906301000		100	2.2
PR 63.125	656906301250		125	2.9
PR 80.80	656908000800	80	80	3
PR 80.125	656908001250		125	4.6
PR 80.160	656908001600		160	6.1
PR 110.140	656911001400	110	140	13.5
PR 110.200	656911002000		200	14.3
PR 140.140	656914001400	140	140	24
PR 140.250	656914002500		250	28.5



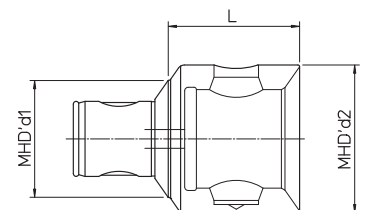
- REDUCTIONS
- ПЕРЕХОДНИКИ
- REDUKCJE
- REDUKCE
- KISALTMALAR

RD



REF.	CODE	MHD' d1	MHD' d2	L	L1	kg
RD 16/14.25	657001600140	16	14	25	19.5	0.02
RD 20/14.20	657002000140	20		20	14.5	0.03
RD 20/16.20	657002000160		16	25	16	0.05
RD 25/14.20	657002500140	14	13.5		0.06	
RD 25/16.20	657002500160	16	15		0.07	
RD 25/20.25	657002500200	20	20	20	0.08	
RD 32/14.25	657003200140	32	14	25	17.5	0.08
RD 32/16.24	657003200160		16	24	18	0.10
RD 32/20.25	657003200200		20	25	20	0.12
RD 32/25.28	657003200250		25	28	23	0.14
RD 40/14.25	657004000140	40	14	25	16.5	0.10
RD 40/16.24	657004000160		16	24	17	0.18
RD 40/20.26	657004000200		20	26	20	0.2
RD 40/25.28	657004000250		25	28	22	0.25
RD 40/32.32	657004000320		32	32	27	0.3
RD 50/14.25	657005000140	50	14	25	14.5	0.25
RD 50/14.40	657005000142		40	29.5	0.1	
RD 50/16.24	657005000160		16	24	15	0.34
RD 50/20.26	657005000200		20	26	18	0.37
RD 50/25.28	657005000250		25	28	21	0.4
RD 50/32.32	657005000320		32	32	25	0.45
RD 50/40.36	657005000400	40	36	30	0.5	
RD 63/50.40	657006300500	63	50	40	34	0.9
RD 80/50.45	657008000500	80	50	45	36	1.2
RD 80/63.60	657008000630		63	60	52	1.7
RD 110/80.70	657011000800	110	80	70	52	6
RD 140/80.70	657014000800	140		49	7.8	

RD

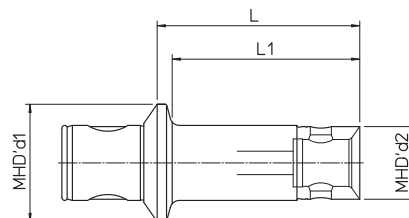


REF.	CODE	MHD' d1	MHD' d2	L	kg
RD 50/63.56	657005000630	50	63	56	1.1



- REDUCTIONS
- ПЕРЕХОДНИКИ
- REDUKCJE
- REDUKCE
- KISALTMALAR

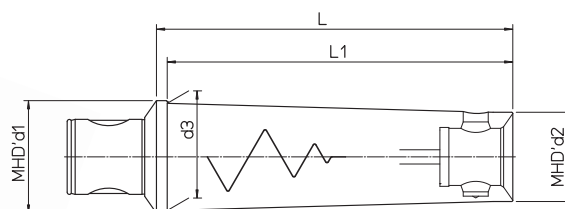
RD



REF.	CODE	MHD' d1	MHD' d2	L	L1	kg
RD 50/16.40	657005000162	50	16	40	32	0.2
RD 50/16.74	657005000163			74	65	0.25
RD 50/20.70	657005000202		20	70	62	0.3
RD 50/20.93	657005000203			93	85	0.35
RD 50/25.87	657005000252		25	87	80	0.6
RD 50/25.117	657005000253			117	110	0.65
RD 50/32.87	657005000322		32	87	80	0.75
RD 50/32.144	657005000323			144	137	1
RD 50/40.87	657005000402		40	87	80	0.9
RD 50/40.176	657005000403			176	170	1.8

- VIBRATION-DAMPING REDUCTIONS
- ВИБРОИЗОЛЯЦИОННЫЕ ПЕРЕХОДНИКИ
- REDUKCJE OGRANICZAJĄCE WIBRACJE
- REDUKCE TLUMÍCÍ VIBRACE
- TITREŞİM SÖNÜMLEYİCİ KISALTMALAR

RAV

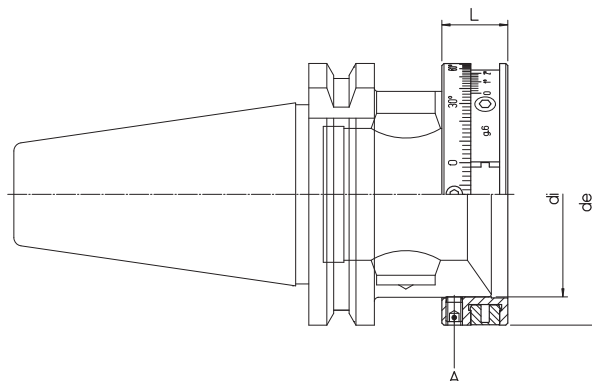


REF.	CODE	MHD' d1	MHD' d2	d3	L	L1	kg
RAV 50/16.74	657005000165	50	16	17.5	74	65	0.4
RAV 50/20.93	657005000205		20	21.5	93	85	0.5
RAV 50/25.117	657005000255		25	27	117	110	0.8
RAV 50/32.144	657005000325		32	35	144	138	1.4
RAV 50/40.176	657005000405		40	47	176	170	2.5
RAV 63/50.220	657006300505	63	50	60	220	214	5.6
RAV 80/63.280	657008000635	80	63	77	280	272	10.6



- BALANCING RINGS
- БАЛАНСИРОВОЧНЫЕ КОЛЬЦА
- PIERŚCIENIE DO WYRÓWNOWAŻANIA
- VYVAŽOVACÍ KROUŽKY
- DENGELEME HALKALARI

BLC



REF.	CODE	MHD'	de	di (G6)	L
BLC 42.32	381725032001	32	42	31.5	14
BLC 50.40	381725040001	40	50	39.5	15
BLC 63.50	381725050001	50	63.5	49.8	16
BLC 80.63	381725063001	63	80	62.8	18

GB The BLC balancing ring, only by setting the two incorporated graduated counterweights, allows to balance, in an accurate and economical way, the toolholder on which it is mounted. The use of the BLC ring provides the following advantages: improved accuracy and surface finish; considerable extension of tool life; considerable extension of spindle bearings life; drastic reduction of vibrations and noise level in the machining centre.

ASSEMBLY: Remove the plastic guard ring; insert the BLC ring and lock the A screws.

RU Балансировочные кольца BLC посредством установки двух вмонтированных градуированных противовесов позволяют балансировать точным и экономичным путем держатель, на котором они укреплены. Использование балансировочных колец BLC обеспечивает следующие преимущества: увеличение точности и качества обрабатываемых поверхностей, продление срока службы инструмента, продление срока службы шпинделя обрабатывающего центра, снижение вибрации и уровня шума в обрабатывающих центрах.

СБОРКА: Снять пластиковое защитное кольцо, поместить кольцо BLC и затянуть винты А.

PL Pierścienie do wyrównoważania BLC, pozwala na wyrównoważenie w sposób dokładny i ekonomiczny oprawki, na którą zostanie zamontowany. Odbywa się to przez przestawienie dwóch wbudowanych, skalowanych płytek. Użycie pierścienia BLC daje następujące korzyści: zwiększenie dokładności wykonania i polepszenie jakości powierzchni; zwiększenie żywotności narzędzia; wydłużenie żywotności wrzeciona obrabiarki; redukcję wibracji oraz hałasu powstałych podczas obróbki.

MONTAŻ: Wyjąć pierścień z plastikowego zabezpieczenia; nałożyć pierścień BLC, po czym dokręcić śruby A.

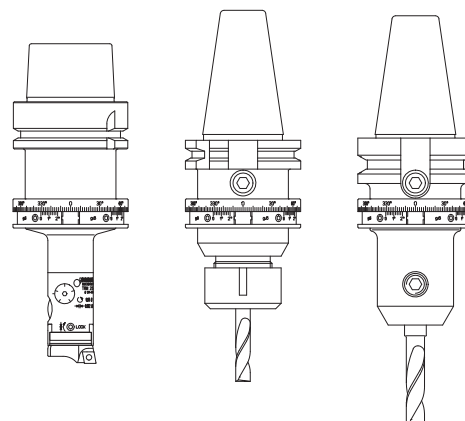
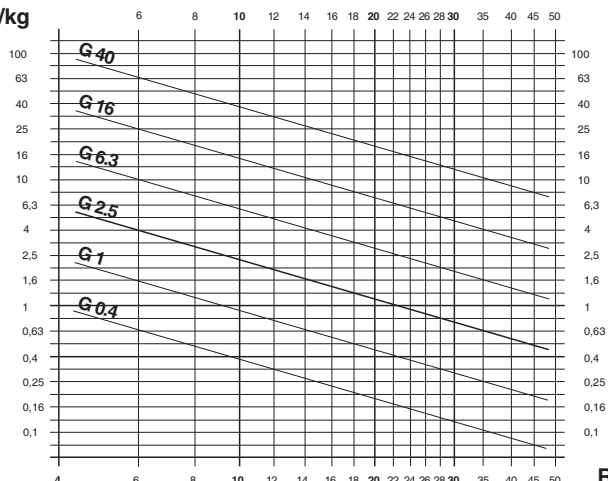
CZ Vyvažovací kroužek BLC, pouhým nastavením dvou vložených odstupňovaných protizávaží, umožňuje vyvažovat nástrojový držák, na kterém je nasazen, přesným a úsporným způsobem. Použití kroužku BLC dává následující výhody: lepší přesnost a konečná úprava povrchu, značné prodloužení životnosti nástroje, značné prodloužení životnosti ložisek vřetena, prudké snížení hladiny vibrací a hluku v obráběcím centru.

MONTÁŽ: Odstraňte plastový kryt kroužku, nasadte kroužek BLC a utáhněte šrouby A.

TR BLC dengeleme halkası, sadece iki adet kademeli karşı ağırlığın ayarlanması suretiyle, üzerine monte edildiği takım tutucunun doğru ve ekonomik bir şekilde dengelenebilmesini mümkün kılar. BLC dengeleme halkasının kullanılması şu avantajları sunar: gelişmiş doğruluk, hassasiyet ve yüzey bitirme; takımın hizmet ömrünün ciddi biçimde uzatılması, mil yataklarının hizmet ömrünün önemli ölçüde uzatılması; işleme merkezindeki titreşim ve gürültü seviyelerinde ciddi biçimde azalma.

MONTAJ: Plastik koruyucu halkayı çıkarın, BLC dengeleme halkasını takın ve A vidalarını kilitleyin.

e = g.mm/kg



RPM x 1000

testarossa d'andrea

TS

TR-E

TRM

TRM HSB

2 μ m

2 μ m

2 μ m

• TS 16/16
Ø 18 ~ 22



p.38

• TRM 16
Ø 18 ~ 23



p.62

• TS 20/20
Ø 22 ~ 28



p.38

• TRM 20
Ø 22 ~ 29



p.62

• TS 25/25
Ø 28 ~ 38



p.38

• TRM 25
Ø 28 ~ 38



p.62

• TS 32/32
Ø 35.5 ~ 50



p.38

• TR-E 32
Ø 35.5 ~ 51.5



p.46

• TRM 32
Ø 35.5 ~ 51.5



p.62

• TRM 32 HSB
Ø 2.5 ~ 18



p.108

• TS 40/40
Ø 50 ~ 68



p.38

• TR-E 40
Ø 48 ~ 64



p.47

• TRM 40
Ø 48 ~ 63



p.62

• TS 50/50
Ø 68 ~ 90



p.39

• TS 50/63
Ø 90 ~ 120



p.39

• TR-E 50
Ø 2.5 ~ 110



p.48

• TRM 50
Ø 2.5 ~ 108



p.64

• TRM 50/63
Ø 2.5 ~ 125



p.68

• TRM 50/80
Ø 2.5 ~ 160



p.72

• TRM 50 HSB
Ø 2.5 ~ 22



p.110

• TS 63/63
Ø 90 ~ 120



p.39

• TR-E 63
Ø 6 ~ 125



p.52

• TRM 63/63
Ø 2.5 ~ 125



p.68

• TS 80/80
Ø 120 ~ 200



p.39

• TR-E 80
Ø 6 ~ 200



p.56

• TRM 80/80
Ø 2.5 ~ 160



p.72

• TRM 80/125
Ø 36 ~ 500



p.76

BORING SYSTEM

TRC

• **TRC 14**
 Ø 14.5 ~ 18
 p.92

• **TRC 16**
 Ø 18 ~ 24
 p.92

• **TRC 20**
 Ø 22 ~ 30
 p.92

• **TRC 25**
 Ø 28 ~ 40
 p.92

• **TRC 32**
 Ø 35.5 ~ 53.5
 p.92

• **TRC 40**
 Ø 48 ~ 66
 p.92

• **TRC 50**
 Ø 2.5 ~ 110
 p.94

• **TRC 63**
 Ø 6 ~ 125
 p.98

• **TRC 80**
 Ø 6 ~ 200
 p.102

TRC HS TRD

• **TRD 25**
 Ø 28 ~ 36
 p.114

• **TRC 32 HS**
 Ø 2.5 ~ 18
 p.108

• **TRD 32**
 Ø 36 ~ 46
 p.114

• **TRD 40**
 Ø 46 ~ 60
 p.114

• **TRC 50 HS**
 Ø 2.5 ~ 22
 p.110

• **TRD 50**
 Ø 60 ~ 75
 p.114

• **TRD 63**
 Ø 75 ~ 95
 p.114

• **TRD 80**
 Ø 95 ~ 160
 p.114

BPS

• **TR-E 200**
 p.86

• **TR 200**
 p.86

• **BPS 200 - 800**
 Ø 200 ~ 1200
 p.82-83

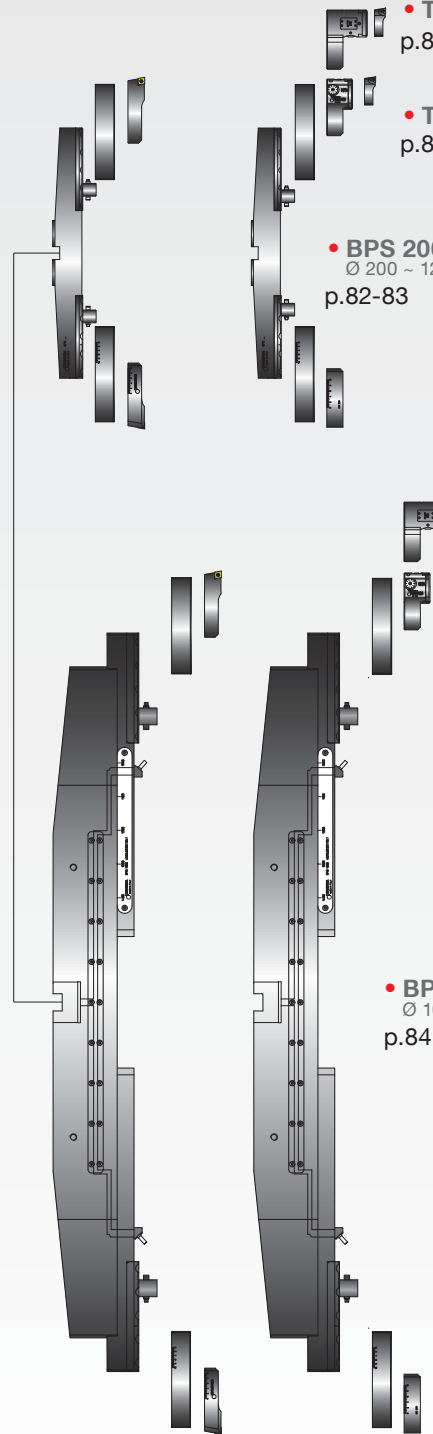
2µm

• **TR-E 200**
 p.86

• **TR 200**
 p.86

2µm

• **BPS 1000 - 1600 GD**
 Ø 1000 ~ 2700
 p.84-85



- **DOUBLE-BIT HEADS**
- **ДВУХРЕЗЦОВЫЕ ГОЛОВКИ**
- **GŁOWICE DWUNOŻOWE**
- **DVOUHROTOVÉ HLAVY**
- **ÇİFT UÇLU KAFALAR**



- 1**
- Body
 - Корпус
 - Korpus
 - Tělo
 - Gövde
- 2**
- Setting screws
 - Регулировочный винт
 - Śruba regulacyjna
 - Nastavovací šrouby
 - Ayar vidaları

- 3**
- Expanding pin
 - Разжимной радиальный штифт
 - Sworzeń promieniowy rozprężny
 - Rozširjující kolík
 - Genişletme pimi
- 4**
- Coolant outlets
 - Отверстия для выхода хладагента
 - Otwory wylotowe cieczy chłodzącej
 - Výstupy chladiva
 - Soğutma sıvısı çıkışları
- 5**
- Bit holders
 - Кассета головки
 - Wytaczak
 - Hrotové držáky
 - Matkap kovanları
- 6**
- Tools clamp screws
 - Зажимные винты инструмента
 - Śruby blokujące narzędzie
 - Upínací šrouby nástroje
 - Takımların sıkma vidaları

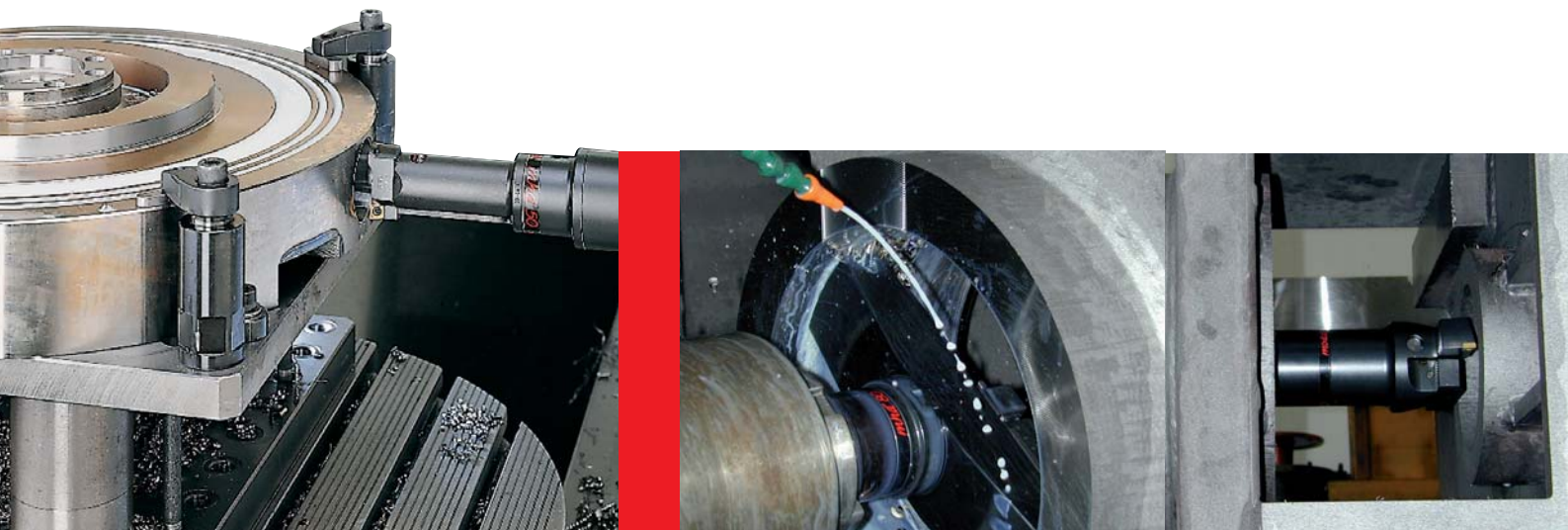
GB The double-bit heads are easy and extremely rigid thanks to the extensive area serrated with contacts between the bit holder and upper insert holder and the heads, together with the constant distance between the seat of the clamping screws and the cutter.

RU Двухрезцовые головки просты и очень стабильны благодаря зубчатым поверхностям соединения между кассетой головки и самой головкой, а также неизменному расстоянию между зажимным винтом кассеты и режущей кромкой.

PL Głowice dwunożowe są bardzo sztywne i proste w budowie. Wysoką sztywność układu uzyskano dzięki szerokim, ząbkowanym powierzchniom styku pomiędzy wytaczakami a samymi głowicami. Dodatkową zaletą jest stała odległość pomiędzy śrubą mocującą końcówkę, a ostrzem skrawającym.

CZ Dvuhrotové hlavy jsou volné a extrémně pevné díky rozsáhlé oblasti zoubkované s kontaktem mezi hrotovým držákem a horním držákem vložky a hlavami, současně s konstantní vzdáleností mezi ložem upínacích šroubů a frézou.

TR Çift uçlu kafalar, kovan ile üst geçme yuvası ve kafalar arasındaki temas sonucu tırtılanmış geniş alan ve kenetleme vidaları ile kesici yatağı arasındaki sabit mesafe sayesinde son derece sağlam ve kullanımı kolaydır.



- DOUBLE-BIT HEADS
- ДВУХРЕЗЦОВЫЕ ГОЛОВКИ
- GŁOWICE DWUOŻOWE
- DVOUHROTOVÉ HLAVY
- ÇİFT UÇLU KAFALAR

GB USE. The radial setting of the cutting edges should be carried out with tool presetting equipment. The boring bars are fitted with two bit holders for roughing operations involving heavy chip removal. The double-bit boring bars may include:

RU ИСПОЛЬЗОВАНИЕ. Радиальная настройка режущих кромок должна выполняться на специальном устройстве предварительной настройки. Используются с двумя кассетами для черновых операций с большим количеством снимаемого материала. Двухрезцовые расточные оправки могут состоять из:

PL ZASTOSOWANIE. Średnicę ostrzy skrawających należy regulować na stole typu pre-set. Podczas operacji wytaczania zgrubnego z nadatkami najczęściej wykorzystujemy dwa ostrza skrawające. Wytaczarki dwunożowe mogą składać się z:

CZ POUŽITÍ. Radiální nastavení frézovacích hran je nutno provést pomocí zařízení na přednastavení nástrojů. Vyrťávací tyče se připevňují pomocí dvou hrotových držáků pro operace hrubování zahrnující odstraňování velkých špon. Dvuhrotové vyrťávací tyče mohou zahrnovat:

TR KULLANIM. Kesme kenarlarının radyal ayarı, alet ön ayarlama ekipmanı ile yapılmalıdır. Delik açma çubukları, ağır talaş giderimi gibi kaba işleme faaliyetleri için iki adet kovanla donatılmıştır. Çift uçlu delik açma çubukları şunları içerebilir:

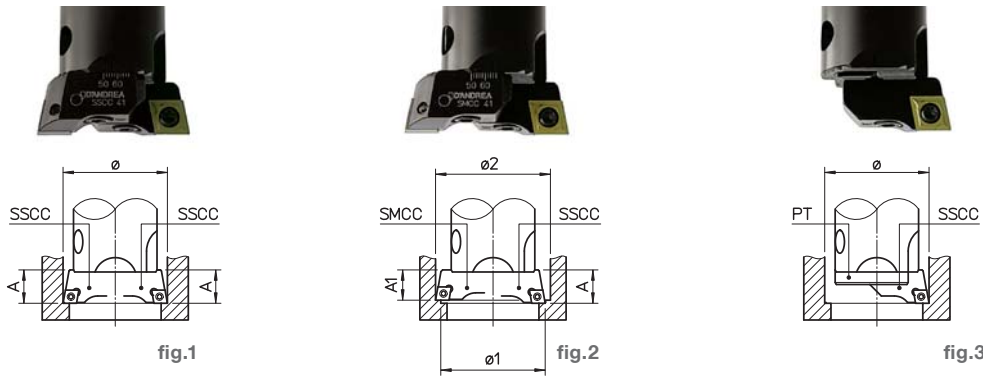


fig. 1 GB two SSCC bit holders on the same plane and with the two cutting edges set at identical radial distance for high feed rate roughing operations.

- RU** двух кассет SSCC, установленных в одной плоскости, соответственно с двумя режущими кромками, установленными с одинаковым радиальным вылетом, - для черновых операций с большим объемом подачи;
- PL** dwa ostrza SSCC ustawione na tej samej rednicy wytaczania, co umożliwia wytaczanie zgrubne z dużymi posuwami.
- CZ** dva SSCC hrotové držáky v téže rovině a se dvěma frézovacími hranami nastavenými v identické radiální vzdálenosti pro provádění operací hrubování za vysoké rychlosti přísmu.
- TR** aynı düzlem üzerinde bulunan iki SSCC matkap kovani ve iki kesme kenarı, yüksek besleme hızında gerçekleştirilen kaba işleme faaliyetleri için eşit radyal mesafe sunar.

fig. 2 GB an SSCC bit holder and an SMCC bit holder not at the same plane and with the two cutting edges set at different radial distances for high cutting depth roughing operations.

- RU** из кассеты SSCC и ниже – из кассеты SMCC, помещенных на разных уровнях, соответственно с двумя режущими кромками, установленными с разным радиальным вылетом- для черновых операций с большой глубиной резания;
- PL** jeden nóż typu SSCC i drugi nóż obniżony typu SMCC. Noże ustawione na różnych wysokościach i średnicach. Wariant ten umożliwia obróbkę zgrubną z dużą głębokością przejścia.
- CZ** hrotový držák SSCC a hrotový držák SMCC nikoli v téže rovině a se dvěma frézovacími hranami nastavenými v různé radiální vzdálenosti pro provádění operací hrubování s velkou hloubkou frézování.
- TR** aynı düzlem üzerinde bulunmayan bir SSCC matkap kovani ve bir SMCC matkap kovani , yüksek kesme derinliğinin söz konusu olduğu kaba işleme faaliyetleri için farklı radyal mesafeler sunar.

fig. 3 GB the boring bars are fitted with a single bit holder for roughing and finishing operations involving normal chip removal. The serrated surface protection plate PT should always be fitted.

- RU** из одной кассеты, для черновых и чистовых операций с нормальным количеством снимаемого материала. Для защиты зубчатой поверхности необходимо устанавливать пластину PT.
- PL** wykorzystywane jest tylko jedno ostrze do obróbki wykończeniowej lub zgrubnej przy normalnym usuwaniu wiórow. Nie należy zapominać o obowiązkowym montażu płytki PT, zabezpieczającej powierzchnię ząbkowaną.
- CZ** vyrťávací tyče se připevňují pomocí jednoho hrotového držáku pro operace hrubování a finální úpravy zahrnující odstraňování normálních špon. Vždy je nutno připevnit zoubkovanou desku PT pro ochranu povrchu.
- TR** delik açma çubukları, normal talaş giderimi gibi kaba işleme ve bitirme faaliyetleri için tekli kovanla donatılmıştır. Tırtıklı yüzey koruma plakası PT mutlaka takılmalıdır.

TS 16/16
Ø 18 ~ 22



TS 20/20
Ø 22 ~ 28



TS 25/25
Ø 28 ~ 38



TS 32/32
Ø 35.5 ~ 50



TS 40/40
Ø 50 ~ 68



TS 50/50
Ø 68 ~ 90



TS 50/63
Ø 90 ~ 120



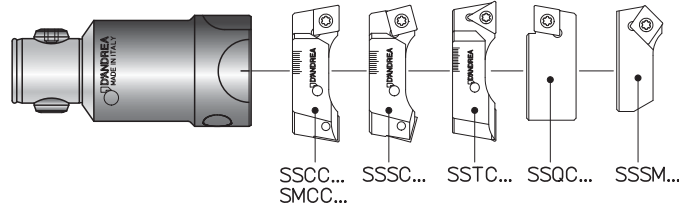
TS 63/63
Ø 90 ~ 120



TS 80/80
Ø 120 ~ 200



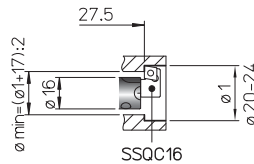
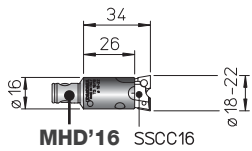
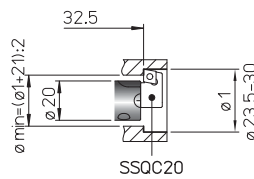
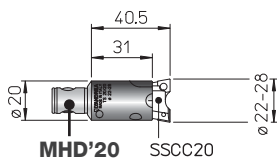
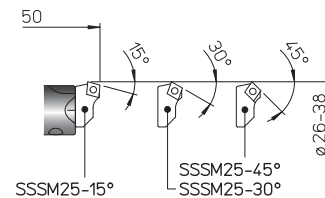
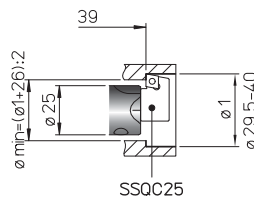
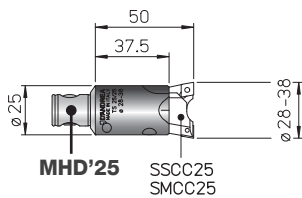
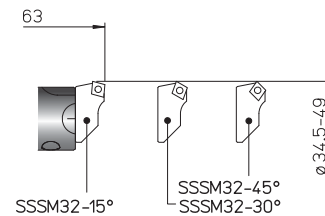
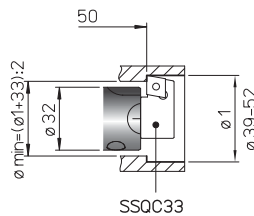
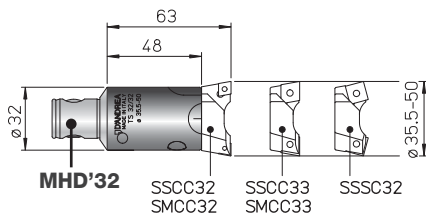
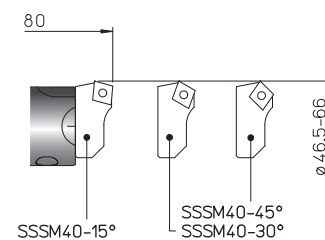
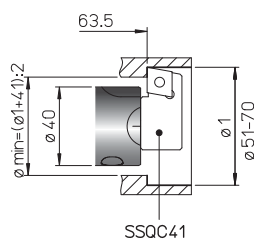
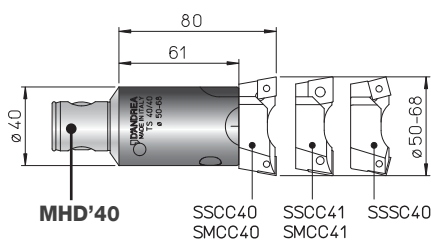
- DOUBLE-BIT HEADS
- ДВУХРЕЗЦОВЫЕ ГОЛОВКИ
- GŁOWICE DWUNOŻOWE
- DVOUHROTOVÉ HLAVY
- ÇİFT UÇLU KAFALAR



p. 37

REF.	CODE	Kg.
TS 16/16	455501600340	0.05
TS 20/20	455502000400	0.09
TS 25/25	455502500500	0.2
TS 32/32	455503200630	0.35
TS 40/40	455504000800	0.7

REF.	CODE	Kg.
TS 50/50	455305001000	1.5
TS 50/63	455306300800	2
TS 63/63	455406301250	3
TS 80/80	455408001400	5.3


TS 16/16
 Ø 18 ~ 22

TS 20/20
 Ø 22 ~ 28

TS 25/25
 Ø 28 ~ 38

TS 32/32
 Ø 35.5 ~ 50

TS 40/40
 Ø 50 ~ 68

118



120

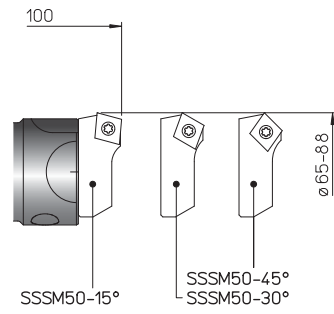
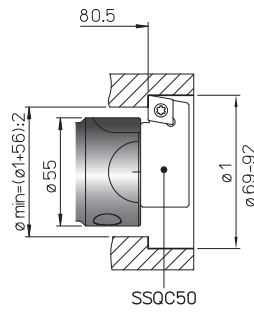
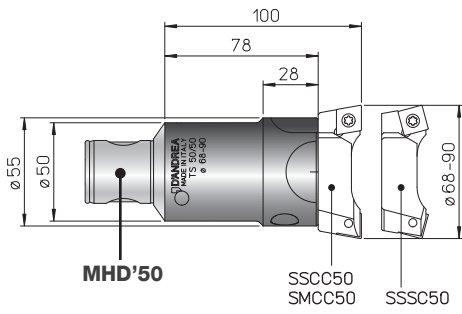


116

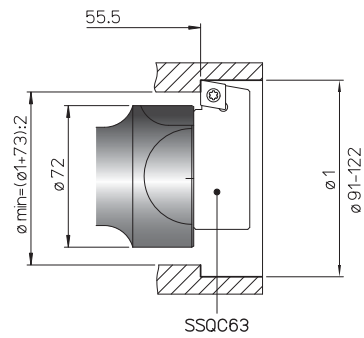
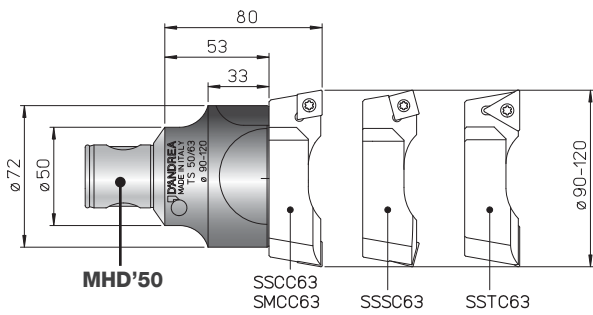


TS 50~80 Ø 68 ~ 200

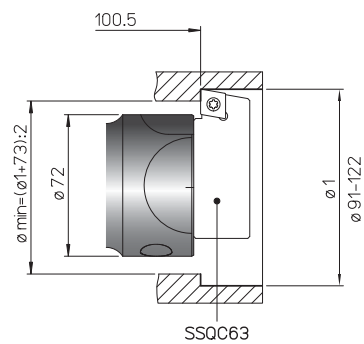
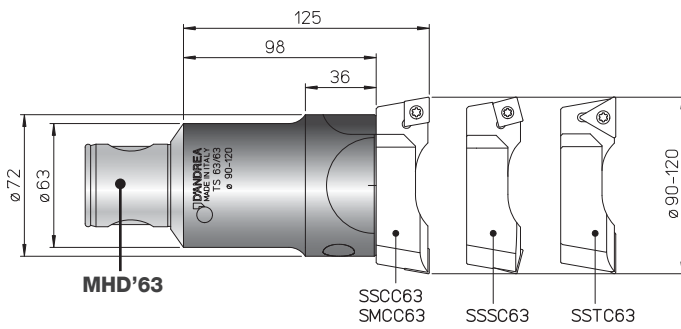
- DOUBLE-BIT HEADS
- ДВУХРЕЗЦОВЫЕ ГОЛОВКИ
- GŁOWICE DWUNOŻOWE
- DVOUHROTOVÉ HLAVY
- ÇİFT UÇLU KAFALAR



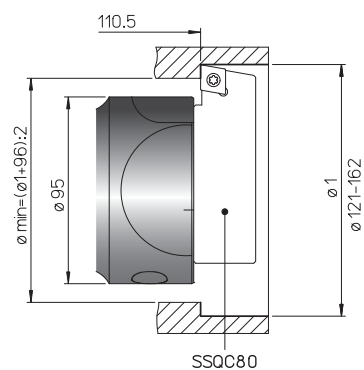
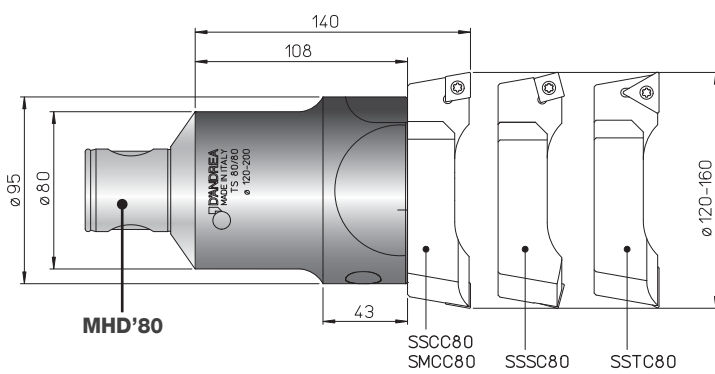
TS 50/50
Ø 68 ~ 90



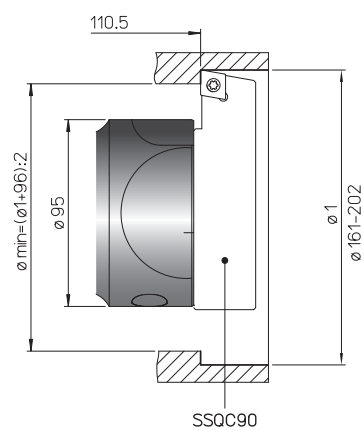
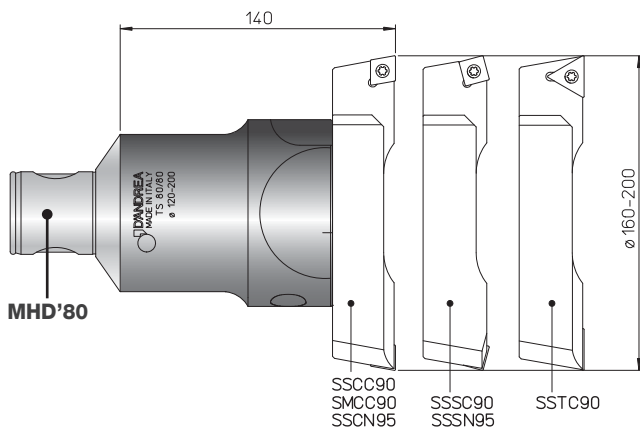
TS 50/63
Ø 90 ~ 120



TS 63/63
Ø 90 ~ 120



TS 80/80
Ø 120 ~ 160



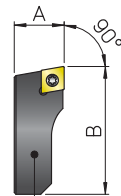
Ø 160 ~ 200

D'ANDREA

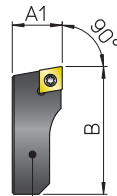
MODULHARD'ANDREA

- BIT-HOLDERS FOR DOUBLE-BIT ITEMS
- КАСЕТЫ ДЛЯ ДВУХРЕЗЦОВЫХ ГОЛОВОК
- OSTRZA GŁOWIC DWUNOŻOWYCH
- HROTOVÉ DRŽÁKY PRO DVOUHROTOVÉ DÍLY
- ÇİFT UÇLU EKİPMAN İÇİN MATKAP KOVANLARI

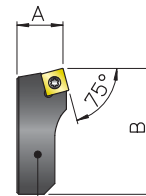
SSCC - SMCC - SSSC



SSC...



SMCC...

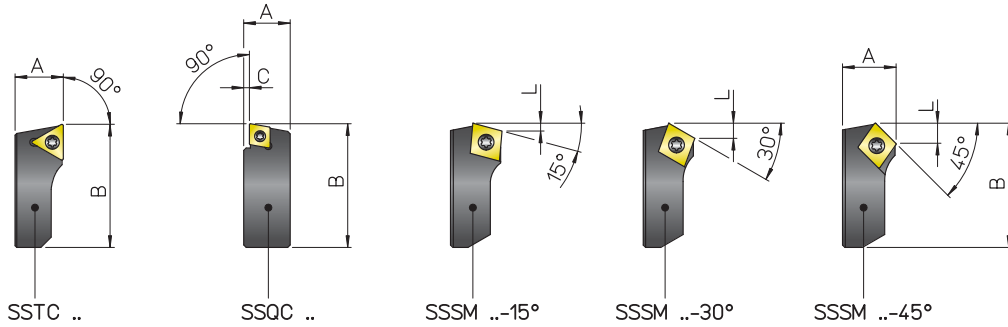


SSS...

REF.	CODE	A	A1	B					Kg.			
SSCC 16	470500516201	8		15	CCMT 0602..	-	TS 25	TORX T08	0.003			
SSCC 20	470500520201	9.5		19					0.006			
SSCC 25	470500525201	12.5	-	23					0.01			
SSCC 32	470500532201			32					0.02			
SSCC 33	470500532204	15		32	CCMT 09T3..	-	TS 4	TORX T15	0.025			
SSCC 40	470500540201	19	-	40					0.06			
SSCC 41	470500540204	19		40	CCMT 1204..	-	TS5	TORX T25	0.06			
SSCC 50	470500550204	22		54					0.1			
SSCC 63	470500563201	27	-	70.5					0.2			
SSCC 80	470500580201	32		94.5					0.5			
SSCC 90	470500590201	32		130					0.7			
SSCN 95	470500595201	40		130					CNM. 1906..	p. 126		0.9
SMCC 25	470500525203	-	12.3	23	CCMT 0602..	-	TS 25	TORX T08	0.01			
SMCC 32	470500532203	-	14.8	32					0.02			
SMCC 33	470500532205	-	14.8	32	CCMT 09T3..	-	TS 4	TORX T15	0.025			
SMCC 40	470500540203	-	18.7	40					0.06			
SMCC 41	470500540205	-	18.7	40	CCMT 1204..	-	TS 5	TORX T25	0.06			
SMCC 50	470500550205	-	21.7	54					0.1			
SMCC 63	470500563203	-	26.7	70.5					0.2			
SMCC 80	470500580203	-	31.7	94.5					0.5			
SMCC 90	470500590203	-	31.7	130					0.7			
SSSC 32	470500532202	15		32					-	SCMT 09T3..	TS 4	TORX T15
SSSC 40	470500540202	19	-	40	0.06							
SSSC 50	470500550202	22		54	-	SCMT 1204..	TS 5	TORX T25	0.1			
SSSC 63	470500563202	27		70.5					0.2			
SSSC 80	470500580202	32	-	94.5					0.5			
SSSC 90	470500590202	32		130					0.7			
SSSN 95	470500595202	40		130					SNM. 1906..	p. 126		0.9

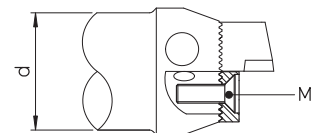
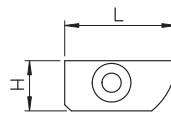


- BIT-HOLDERS FOR DOUBLE-BIT ITEMS
- КАССЕТЫ ДЛЯ ДВУХРЕЗЦОВЫХ ГОЛОВОК
- OSTRZA GŁOWIC DWUNOŻOWYCH
- HROTOVÉ DRŽÁKY PRO DVOUHROTOVÉ DÍLY
- ÇİFT UÇLU EKİPMAN İÇİN MATKAP KOVANLARI



REF.	CODE	A	B	C	L	△	□	⌢	⌘	Kg.
SSTC 63	470500563206	27	70.5							0.2
SSTC 80	470500580206	32	94.5	-	-	TCMT 2204..	-	TS 5	TORX T25	0.5
SSTC 90	470500590206		130							0.7
SSQC 16	470500516261	10	16	2						0.005
SSQC 20	470500520261	11	19.5	1.5	-	-	CCMT 0602..	TS 25	TORX T08	0.008
SSQC 25	470500525261	14.5	24	2.5						0.02
SSQC 33	470500533261	17	32	3	-	-	CCMT 09T3..	TS 4	TORX T15	0.03
SSQC 41	470500541261	21	42	3.5	-	-	CCMT 1204..	TS 5	TORX T25	0.08
SSQC 50	470500550261	24.5	57							0.15
SSQC 63	470500563261	28.5	76							0.3
SSQC 80	470500580261	31.5	101							0.6
SSQC 90	470500590261		122							0.8
SSSM 25-15°	470500525211	12.5	23	-	1.6	-	CCMT 0602..	TS 25	TORX T08	0.01
SSSM 25-30°	470500525213				3					
SSSM 25-45°	470500525215				4.3					
SSSM 32-15°	470500532211	15	31	-	1.6	-	CCMT 09T3..	TS 4	TORX T15	0.025
SSSM 32-30°	470500532213				3					
SSSM 32-45°	470500532215				4.3					
SSSM 40-15°	470500540211	19	39	-	2.4	-	CCMT 09T3..	TS 4	TORX T15	0.06
SSSM 40-30°	470500540213				4.6					
SSSM 40-45°	470500540215				6.5					
SSSM 50-15°	470500550211	22	53	-	3.2	-	CCMT 1204..	TS 5	TORX T25	0.1
SSSM 50-30°	470500550213				6.2					
SSSM 50-45°	470500550215				8.8					

- COVER PLATES
- РИФЛЕНАЯ ЗАЩИТА
- ZABEZPIECZENIE POWIERZCHNI ZABKOWANEJ
- KRYCÍ DESKY
- KAPAK PLAKALARI



PT

REF.	CODE	d	H	L	M
PT 16	384765000160	16	7	14	M 3x12
PT 20	384765000200	20	8.5	17	M 4x14
PT 25	384765000250	25	10.2	21	M 4x16
PT 32	384765000320	32	13.9	28	M 5x20
PT 40	384765000400	40	17.4	35	M 6x25
PT 50	384765000500	50	21.4	47.5	M 8x25
PT 63	384765000630	63	26.4	62	M 10x30
PT 80	384765000800	80	33.9	82.5	M 12x35



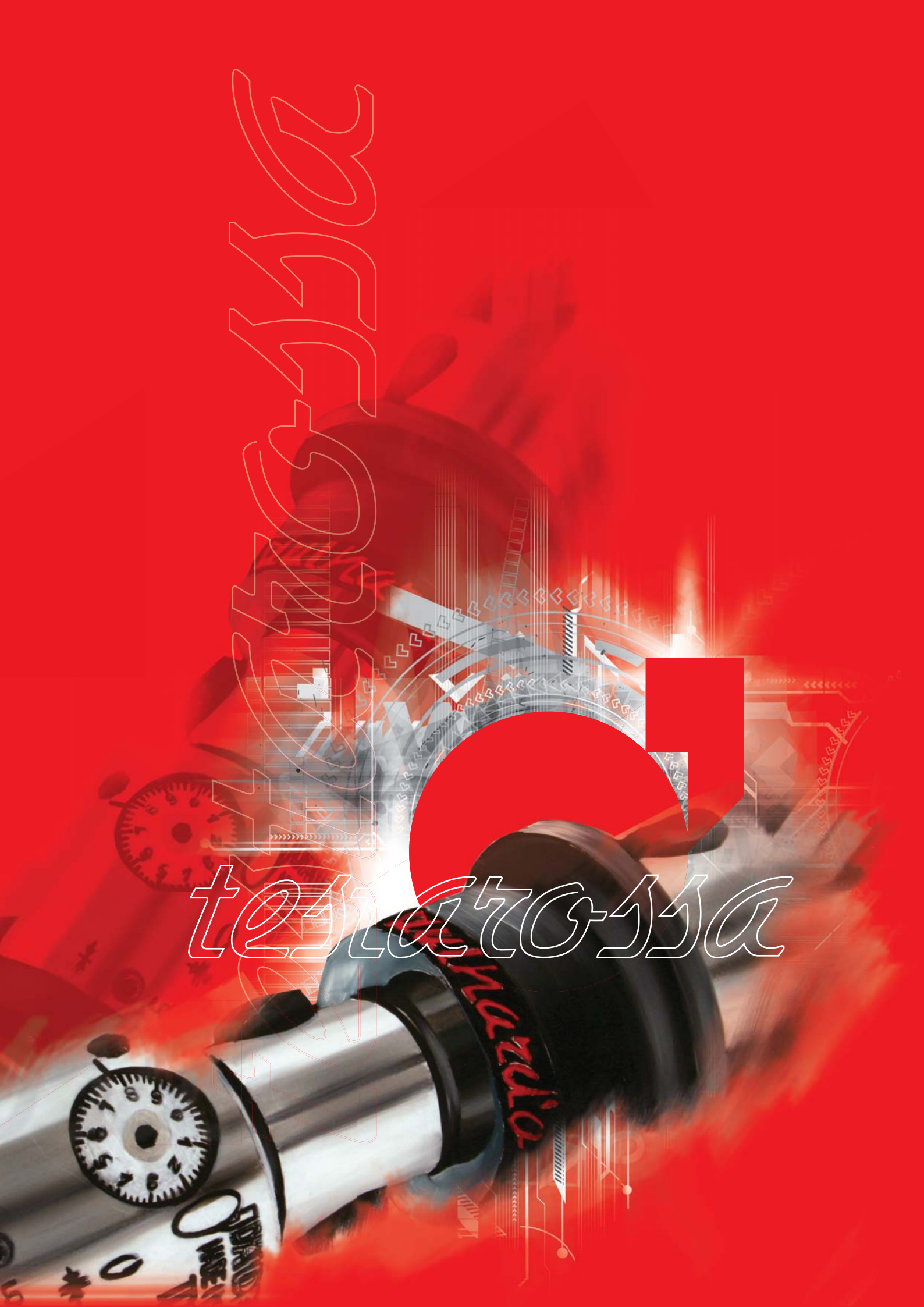
testarossa d'andrea

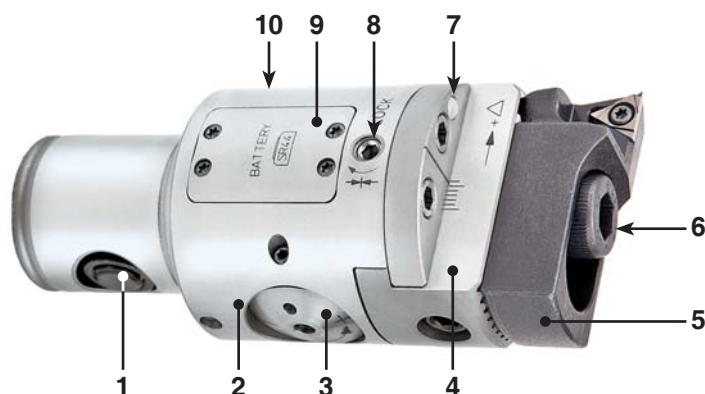
testar



testo

testo





- | | | | |
|---|--|--|--|
| <p>1</p> <ul style="list-style-type: none"> • Expanding radial pin • Разжимной радиальный штифт • Promieniowy sworzeń rozporowy • Rozširující radiální kolík • Radyal genişletme pimi | <p>2</p> <ul style="list-style-type: none"> • Body • Корпус • Korpus • Tělo • Gövde | <p>3</p> <ul style="list-style-type: none"> • Set screw • Установочный винт • Śruba ustawcza • Nastavovací šroub • Ayar vidası | <p>7</p> <ul style="list-style-type: none"> • Coolant outlet • Выход хладагента • Wylot cieczy chłodzącej • Výstup chladicí kapaliny • Soğutma sıvısı çıkışı |
| <p>4</p> <ul style="list-style-type: none"> • Slide toolholder • Салазки • Sanie narzędziowe • Nástrojový držák šoupátka • Kayar takım tutucu | <p>8</p> <ul style="list-style-type: none"> • Slide clamp screw • Зажимные винты салазок • Śruba blokująca sanie narzędziowe • Upinací šroub šoupátka • Sürgülü sıkma vidası | <p>9</p> <ul style="list-style-type: none"> • Battery compartment cover • Крышка батарейного отсека • Osłona baterii • Kryt prostoru baterie • Pil bölümü kapağı | <p>11</p> <ul style="list-style-type: none"> • Digital display • Цифровой дисплей • Wyświetlacz cyfrowy • Digitální displej • Dijital gösterge |
| <p>5</p> <ul style="list-style-type: none"> • Bit holder • Кассета головки • Wytaczak • Hrotový držák • Matkap kovani | <p>10</p> <ul style="list-style-type: none"> • Oiler • Масленка • Smarownica • Olejnička • Yağlayıcı | <p>12</p> <ul style="list-style-type: none"> • Selection button • Кнопка выбора • Przycisk Wyboru • Tlačítko pro výběr • Seçme düğmesi | |

IP67

2 μm



GB FEATURES. The TR-ELETTRA heads enable high precision machining with tolerance grade, IT6, with excellent surface finish. They have a 1 micron radius adjustment sensitivity on a built-in digital display, ensuring maximum speed and adjustment accuracy. The TR-ELETTRA heads are resistant to water infiltration and are coated with an anti-corrosive surface protection.

RU ХАРАКТЕРИСТИКИ. Головки TR-Elettra позволяют производить высокоточную обработку по классу IT6 с исключительным качеством поверхности. Они имеют точность регулировки радиуса в 1 микрон на встроенном цифровом дисплее обеспечивая скорость и точность настройки. Головки TR-ELETTRA являются влагозащитными и имеют антикоррозионное покрытие.

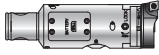
PL CECHY. Głowice TR-Elettra umożliwiają obróbkę o bardzo wysokiej dokładności w tolerancji IT6 i gwarantują uzyskanie doskonałej jakości powierzchni. Posiadają dokładność ustawczą 1 mikrometr na promieniu widoczną na wbudowanym wyświetlaczu cyfrowym, zapewniającym maksymalną szybkość i dokładność ustawienia. Głowice TR-Elettra są odporne na przedostawanie się chłodziwa i są pokryte warstwą ankorozijną.

CZ VLASTNOSTI. Pomocí hlav TR-ELETTRA se dosáhne vysoce přesného obrábění podle tolerance IT6 s vynikající finální úpravou povrchu. Přesnost nastavení poloměru na vestavěném digitálním displeji je 1 mikron, což zajišťuje maximální přesnost a rychlost nastavení. Tyto TR-ELETTRA hlavy jsou voděodolné a jsou potaženy antikorozií povrchovou vrstvou.

TR ÖZELLİKLER. TR-ELETTRA kafaları IT6 toleransında mükemmel yüzey kalitesinde yüksek hassasiyet sağlar. Dijital göstergede 1 mikron yarıçap ayarı hassasiyeti ile maximum hız ve ayar doğruluğuna sahiptir.

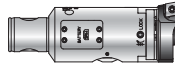
TR-ELETTRA 32 MHD'32

Ø 35.5 ~ 51.5



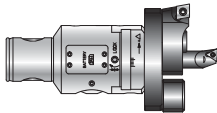
TR-ELETTRA 40 MHD'40

Ø 48 ~ 64



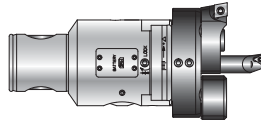
TR-ELETTRA 50 MHD'50

Ø 2.5 ~ 110



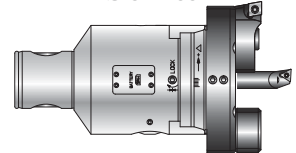
TR-ELETTRA 63 MHD'63

Ø 6 ~ 125



TR-ELETTRA 80 - MHD'80

Ø 6 ~ 200



TR-E 32 - MHD'32

TR-E 40 - MHD'40

TR-E 50 - MHD'50

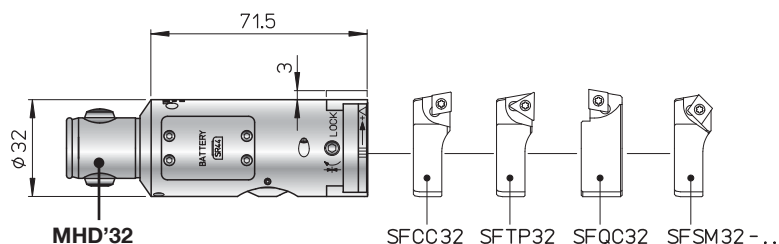
TR-E 63 - MHD'63

TR-E 80 - MHD'80



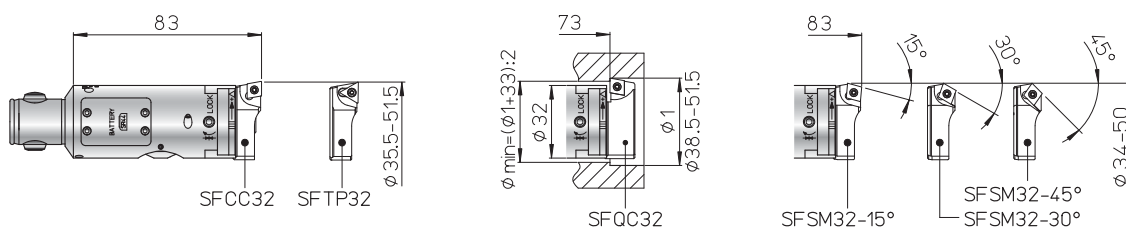


2 µm



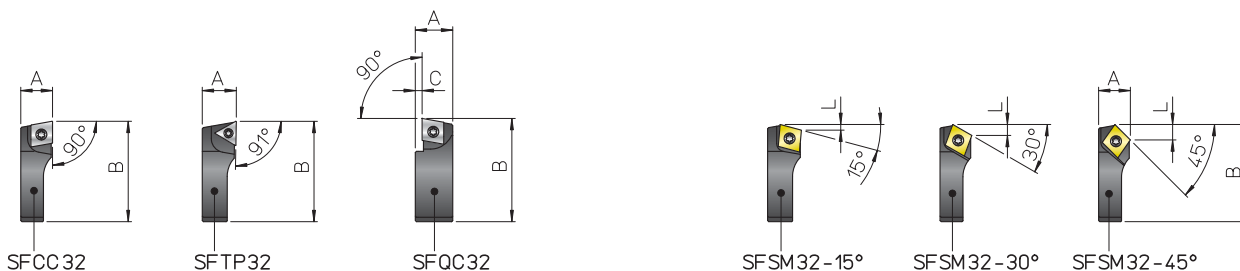
REF.	CODE	Kg.
TR-ELETTRA 32 MHD'32	455200320320	0.4

TR-E 32
Ø 35 ~ 51.5



- BIT-HOLDERS FOR TESTAROSSA
- КАССЕТЫ ДЛЯ ГОЛОВКИ TESTAROSSA
- OSTRZA DO GŁOWIC TESTAROSSA
- HROTOVÉ DRŽÁKY TESTAROSSA
- TESTAROSSA İÇİN MATKAP KOVANLARI

SF



REF.	CODE	A	B	C	L					Kg.
SFCC 32	470500532002	11.5	34.5	-	-	CCGT 0602..	-	TS 25	TORX T08	0.02
SFTP 32	470500532001	11.5	34.5	-	-	-	TPGX 0902..	CS 250T	TORX T08	0.02
SFQC 32	470500532062	13.5	35.5	2.5	-	CCMT 0602..	-	TS 25	TORX T08	0.03
SFSM 32-15°	470500532011	11.5	33.5	-	1.6	CCMT 0602..	-	TS 25	TORX T08	0.02
SFSM 32-30°	470500532013				3					
SFSM 32-45°	470500532015				4.3					

119

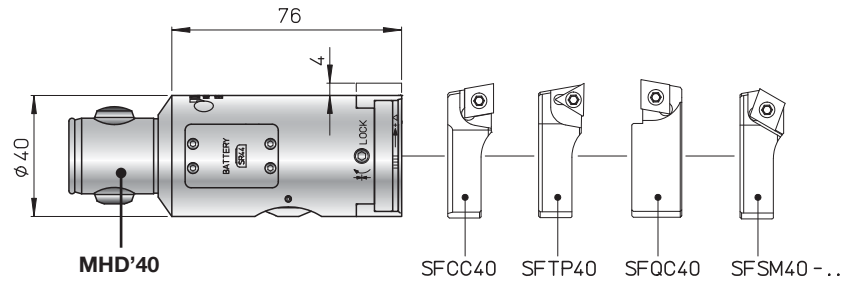
120

116



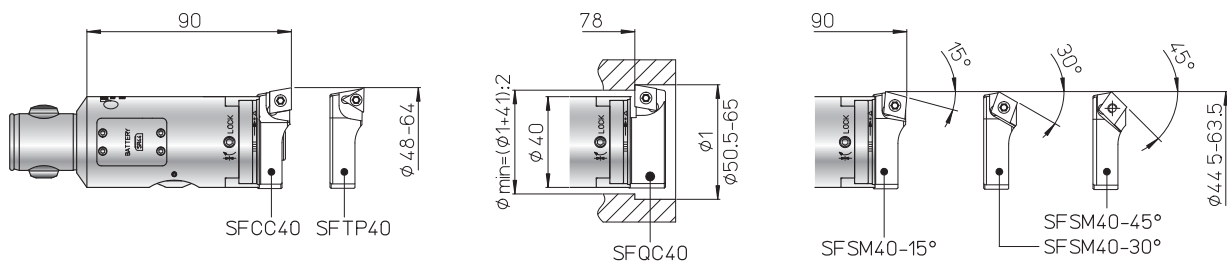


2 µm



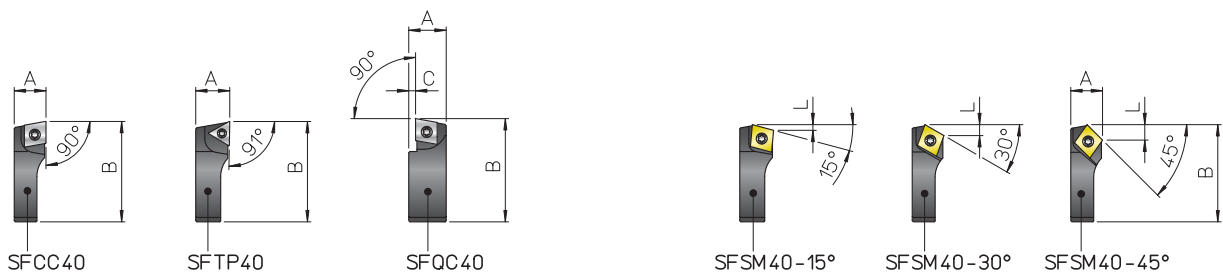
REF.	CODE	Kg.
TR-ELETTRA 40 MHD'40	455200400400	0.7

TR-E 40
Ø 48 ~ 64



- BIT-HOLDERS FOR TESTAROSSA
- КАССЕТЫ ДЛЯ ГОЛОВКИ TESTAROSSA
- OSTRZA DO GŁOWIC TESTAROSSA
- HROTOVÉ DRŽÁKY TESTAROSSA
- TESTAROSSA İÇİN MATKAP KOVANLARI

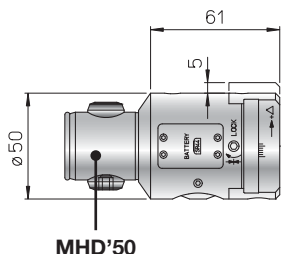
SF



REF.	CODE	A	B	C	L					Kg.
SFCC 40	470500540002	14	44	-	-	CCGT 09T3..	-	TS 4	TORX T15	0.04
SFTP 40	470500540001	14	44	-	-	-	TPGX 1103..	CS 300890T	TORX T08	0.04
SFQC 40	470500540062	16.5	46	3	-	CCMT 09T3..	-	TS 4	TORXT15	0.06
SFSM 40-15°	470500540011	14	42.5	-	2.4	CCMT 09T3..	-	TS 4	TORXT15	0.03
SFSM 40-30°	470500540013				4.6					
SFSM 40-45°	470500540015				6.6					

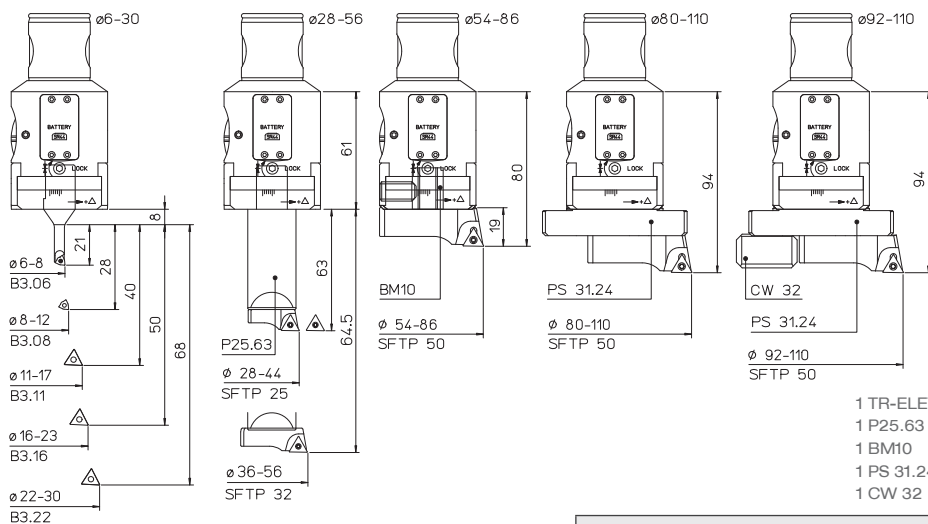
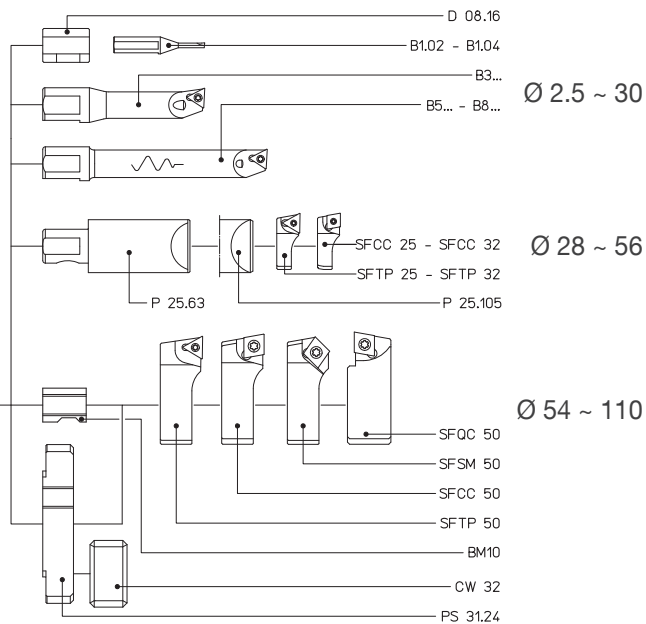


2 μm



MHD'50

REF.	CODE	Kg.
TR-ELETTRA 50 MHD'50	455200500500	1.1



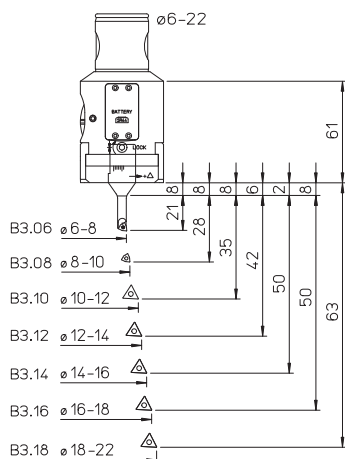
KIT K01

Ø 6 ~ 110



- 1 TR-ELETTRA 50 MHD'50
- 1 P25.63 1 B3.06 1 B3.22 5 TPGX 090202L DC100
- 1 BM10 1 B3.08 1 SFTP25 1 TPGX 110302L DC100
- 1 PS 31.24 1 B3.11 1 SFTP32 2 WCGT 020102L DC100
- 1 CW 32 1 B3.16 1 SFTP50

REF.	CODE	Ø
KIT K01 TR-ELETTRA 50 MHD'50	655200500500	6 ~ 110



KIT K00

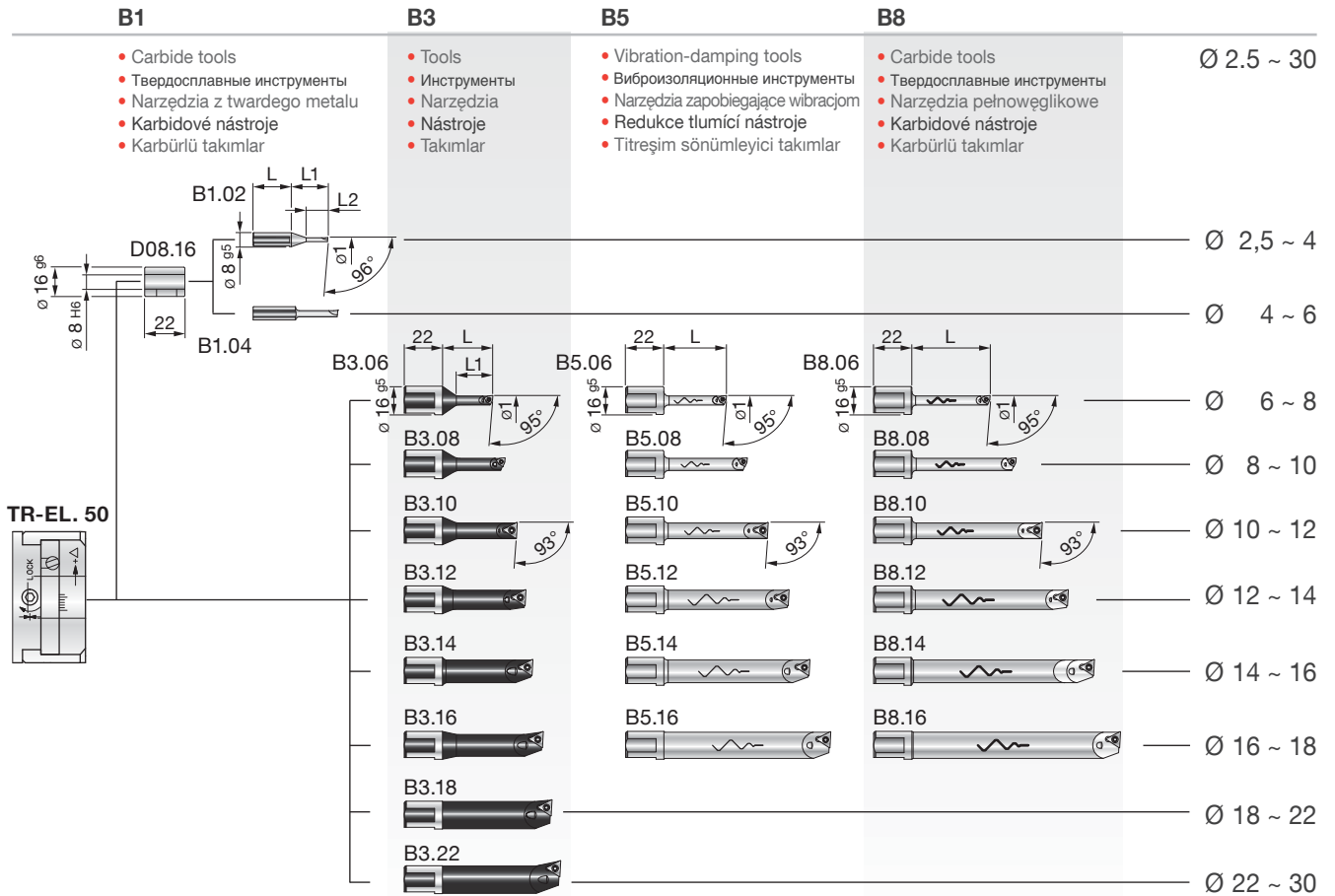
Ø 6 ~ 22



- 1 TR-ELETTRA 50 MHD'50
- 1 B3.06 1 B3.12 1 B3.18
- 1 B3.08 1 B3.14 5 TPGX 090202L DC100
- 1 B3.10 1 B3.16 2 WCGT 020102L DC100

REF.	CODE	Ø
KIT K00 TR-ELETTRA 50 MHD'50	655200500501	6 ~ 22





REF.	CODE	Kg.
D08.16	200560116082	0.02

REF.	CODE	Ø1	L	L1	L2	Kg.
B1.02	572010502001	2.5 ~ 4	22	21	12.5	0.02
B1.04	572010504001	4 ~ 6	24	24	-	

REF.	CODE	Ø1	L	L1	⊖	⊖	⊖	⊖	Kg.
B3.06	572010506001	6 ~ 8	29	21	WCGT 0201..	-	TS 21	TORX T06	0.035
B3.08	572010508001	8 ~ 10	36	28			TS 211		0.04
B3.10	572010510001	10 ~ 12	43	35	-	TPGX 0902..	CS 250 T	TORX T08	0.05
B3.11	572010511001	11 ~ 13	48	40					0.055
B3.12	572010512001	12 ~ 14	42	42					0.06
B3.14	572010514001	14 ~ 16	52	50					0.07
B3.16	572010516001	16 ~ 18	58	-	-	TPGX 0902..	CS 250 T	TORX T08	0.1
B3.18	572010518001	18 ~ 22	63	-					0.1
B3.22	572010522001	22 ~ 30	68	-					0.1

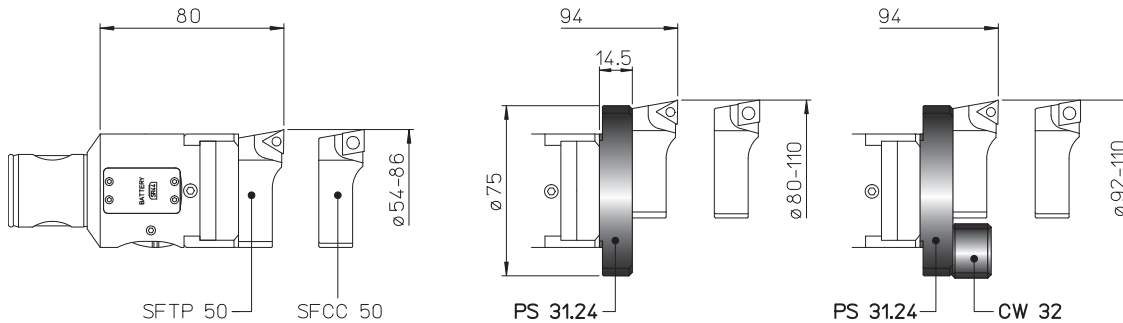
B5.06	572010506105	6 ~ 8	36	-	WCGT 0201..	-	TS 21	TORX T06	0.075
B5.08	572010508105	8 ~ 10	48				TS 211		0.09
B5.10	572010510105	10 ~ 12	60	-	TPGX 0902..	CS 250 T	TORX T08	0.1	
B5.12	572010512105	12 ~ 14	72					0.2	
B5.14	572010514105	14 ~ 16	84					0.3	
B5.16	572010516105	16 ~ 18	96					0.3	

B8.06	572010506108	6 ~ 8	45	-	WCGT 0201..	-	TS 21	TORX T06	0.065
B8.08	572010508108	8 ~ 10	60				TS 211		0.08
B8.10	572010510108	10 ~ 12	75	-	TPGX 0902..	CS 250 T	TORX T08	0.1	
B8.12	572010512108	12 ~ 14	90					0.2	
B8.14	572010514108	14 ~ 16	105					0.3	
B8.16	572010516108	16 ~ 18	120					0.3	

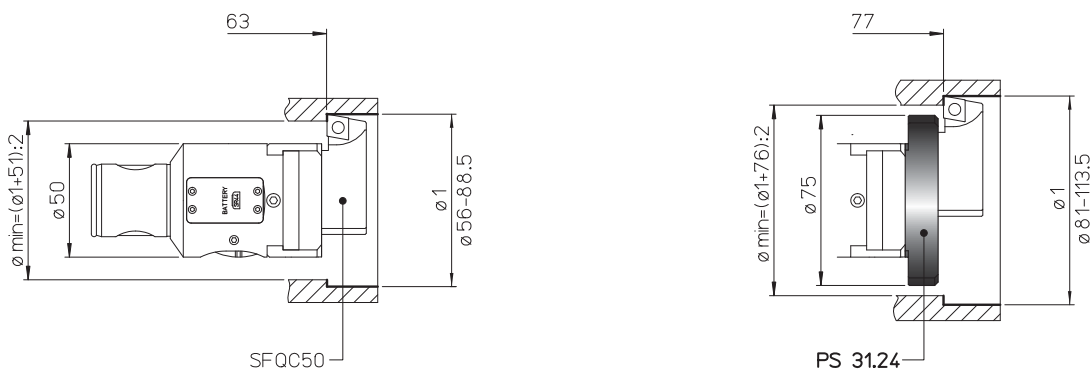
MHD'50

- TOOLHOLDERS FOR TESTAROSSA
- ДЕРЖАТЕЛИ ДЛЯ ГОЛОВКИ TESTAROSSA
- OPRAWKI NARZĘDZIOWE DO GŁOWIC TESTAROSSA
- NÁSTROJOVÉ DRŽÁKY PRO TESTAROSSA
- TESTAROSSA İÇİN TAKIM TUTUCULAR

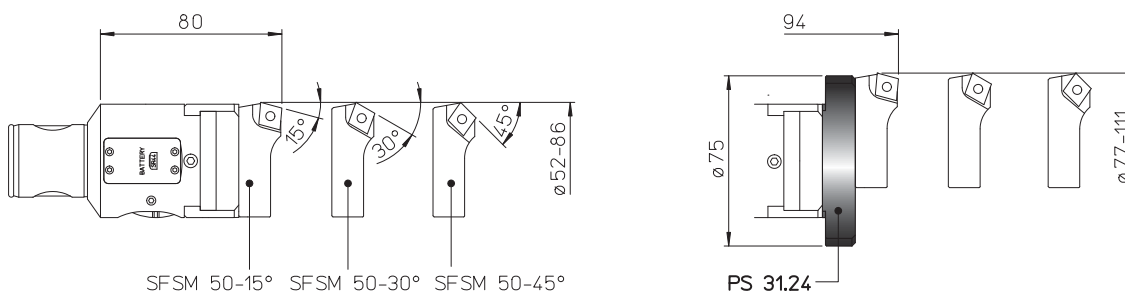
PS 31
CW 32
Ø 54 ~ 110



PS 31
Ø 56 ~ 113.5



PS 31
Ø 52 ~ 111

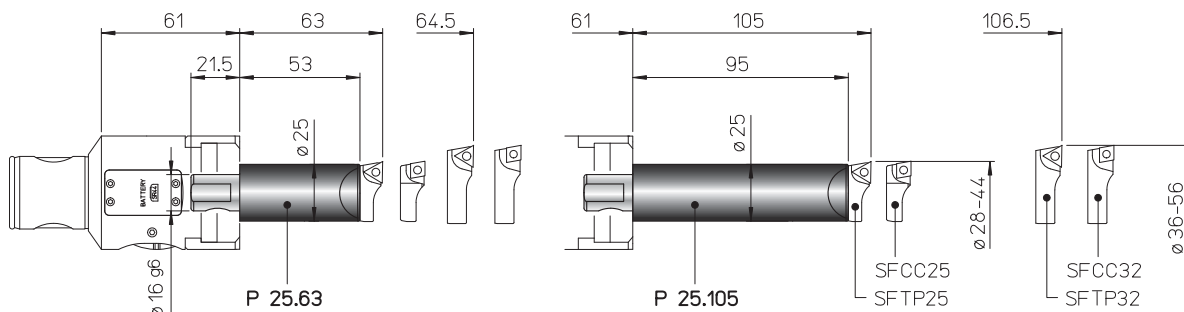


REF.	CODE	Kg.
PS 31.24 TR..50	433024140751	0.19
CW 32	392011003201	0.07



- TOOLHOLDERS FOR TESTAROSSA
- ДЕРЖАТЕЛИ ДЛЯ ГОЛОВКИ TESTAROSSA
- OPRAWKI NARZĘDZIOWE DO GŁÓWIC TESTAROSSA
- NÁSTROJOVÉ DRŽÁKY PRO TESTAROSSA
- TESTAROSSA İÇİN TAKIM TUTUCULAR

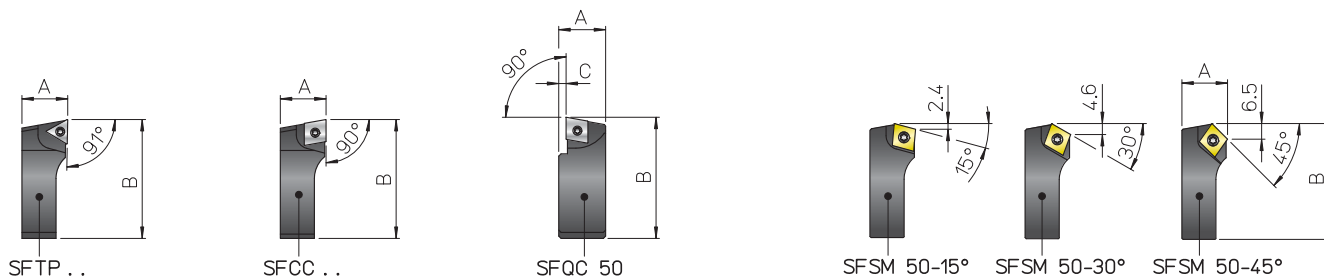
P 25
Ø 28 ~ 56



REF.	CODE	Kg.
P25.63 TR...	435116250631	0.5
P25.105 TR...	435116251051	0.8

- BIT-HOLDERS FOR TESTAROSSA
- КАССЕТЫ ДЛЯ ГОЛОВКИ TESTAROSSA
- OSTRZA DO GŁÓWIC TESTAROSSA
- HROTOVÉ DRŽÁKY TESTAROSSA
- TESTAROSSA İÇİN MATKAP KOVANLARI

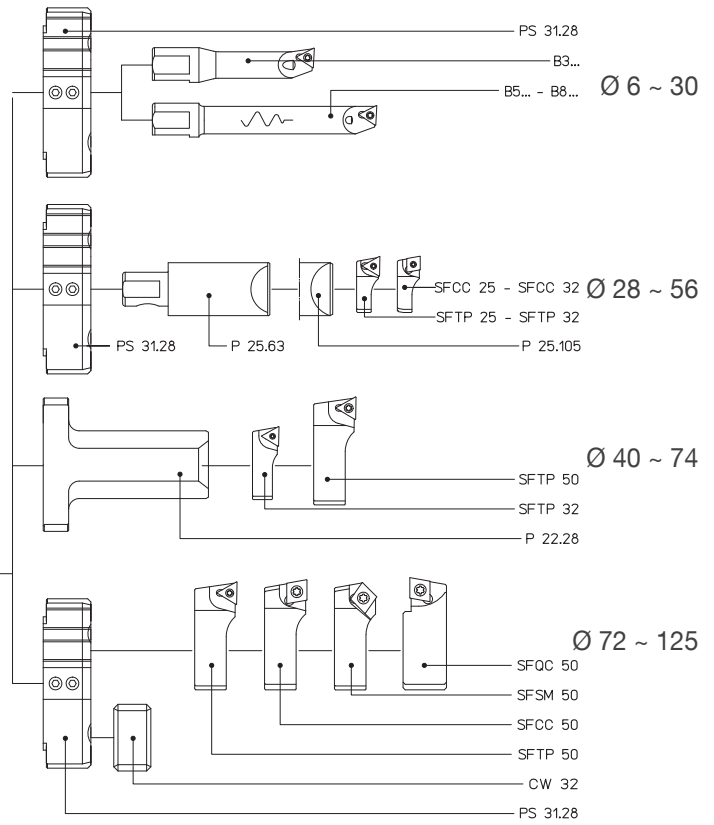
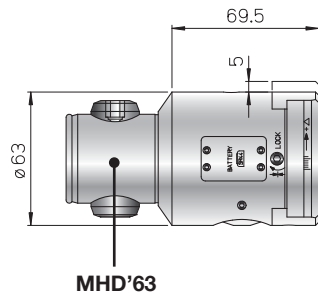
SF



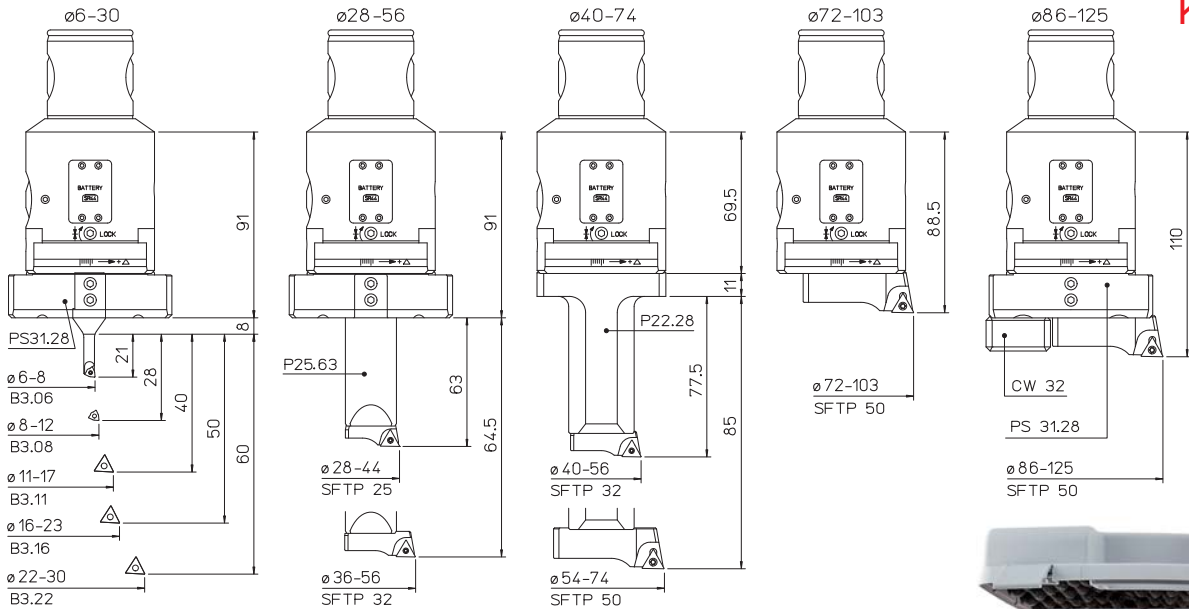
REF.	CODE	A	B	C	△	□	⌘	⌘	Kg.
SFTP 25	470500525001	10	26.5	-	TPGX 0902..	-	CS 250T	TORX T08	0.01
SFTP 32	470500532001	11.5	34.5	-	-	-	0.02		
SFTP 50	470500550001	19	52	-	TPGX 1103..	-	CS 300890T		0.08
SFCC 25	470500525002	10	26.5	-	-	CCGT 0602..	TS 25	TORX T08	0.01
SFCC 32	470500532002	11.5	34.5	-	-	-	-	TORX T08	0.02
SFCC 50	470500550002	19	52	-	-	CCGT 09T3..	TS 4	TORX T15	0.08
SFQC 50	470500550062	20.5	53	3	-	CCMT 09T3..	TS 4	TORXT15	0.1
SFSM 50-15°	470500550011	19	50.5	-	-	CCMT 09T3..	TS 4	TORXT15	0.07
SFSM 50-30°	470500550013								
SFSM 50-45°	470500550015								



2 µm



REF.	CODE	Kg.
TR-ELETTRA 63 MHD'63	455200630630	2.2



KIT K01
Ø 6 ~ 125

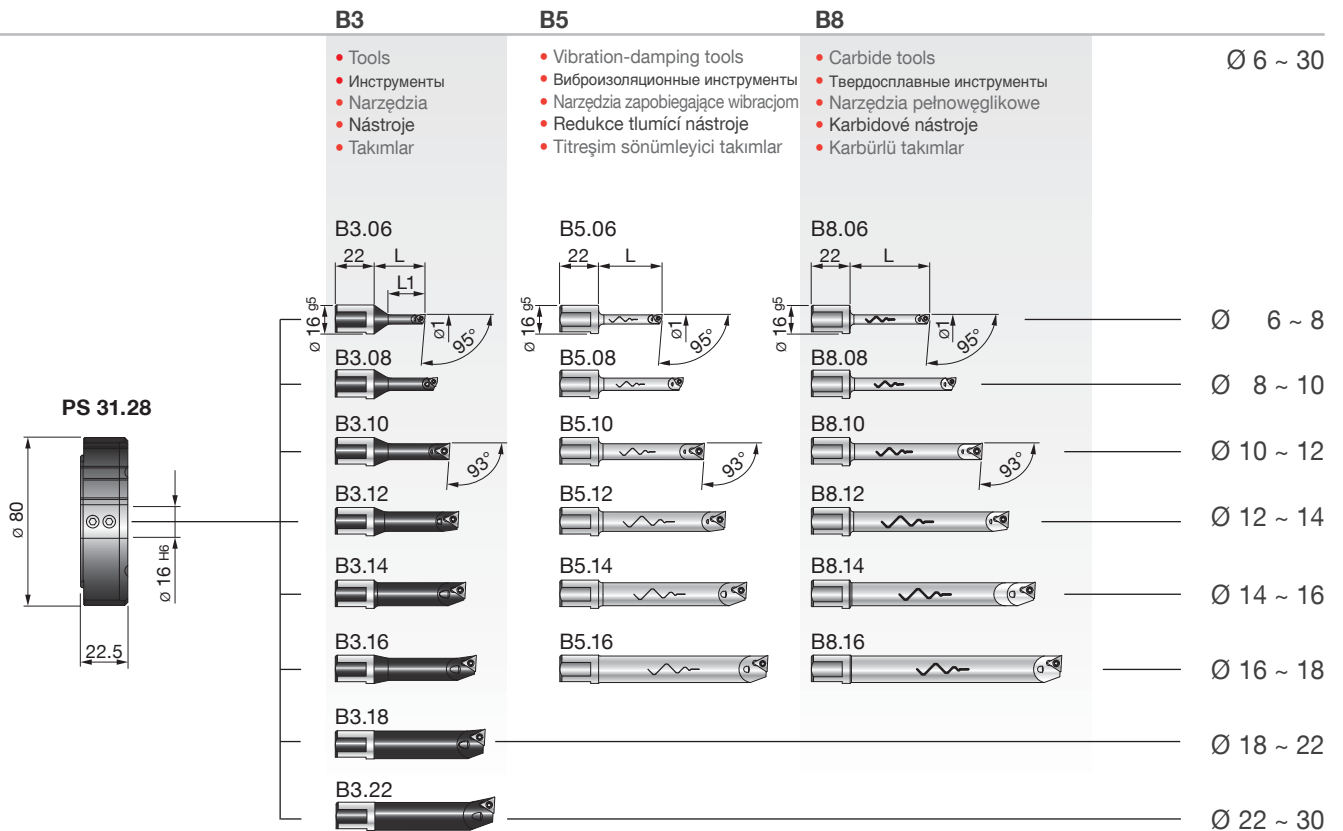


- 1 TR-ELETTRA 63 MHD'63
- 1 P25.63 1 B3.06 1 B3.22 5 TPGX 090202L DC100
- 1 P22.28 1 B3.08 1 SFTP25 1 TPGX 110302L DC100
- 1 PS 31.28 1 B3.11 1 SFTP32 2 WCGT 020102L DC100
- 1 CW 32 1 B3.16 1 SFTP50

REF.	CODE	Ø
KIT K01 TR-ELETTRA 63 MHD'63	655200500630	6 ~ 125

119 120 116 241





REF.	CODE	Kg.
PS 31.28 TR-ELETTRA 63	433028220802	0.3

REF.	CODE	Ø1	L	L1	⚠	⚠	🔧	🔧	Kg.
B3.06	57 201 05 06 001	6 ~ 8	29	21	WCGT 0201..	-	TS 21	TORX T06	0.035
B3.08	57 201 05 08 001	8 ~ 10	36	28			TS 211		0.04
B3.10	57 201 05 10 001	10 ~ 12	43	35	-	TPGX 0902..	CS 250 T	TORX T08	0.05
B3.11	57 201 05 11 001	11 ~ 13	48	40					0.055
B3.12	57 201 05 12 001	12 ~ 14	48	42					0.06
B3.14	57 201 05 14 001	14 ~ 16	52	50	-	TPGX 0902..	CS 250 T	TORX T08	0.07
B3.16	57 201 05 16 001	16 ~ 18	58						0.07
B3.18	57 201 05 18 001	18 ~ 22	63	-	-	-	-	-	0.1
B3.22	57 201 05 22 001	22 ~ 30	68	-	-	-	-	-	0.1

B5.06	57 201 05 06 105	6 ~ 8	36	-	WCGT 0201..	-	TS 21	TORX T06	0.075
B5.08	57 201 05 08 105	8 ~ 10	48				TS 211		0.09
B5.10	57 201 05 10 105	10 ~ 12	60	-	TPGX 0902..	CS 250 T	TORX T08	0.1	
B5.12	57 201 05 12 105	12 ~ 14	72					0.2	
B5.14	57 201 05 14 105	14 ~ 16	84					0.3	
B5.16	57 201 05 16 105	16 ~ 18	96	-	-	-	-	-	0.3

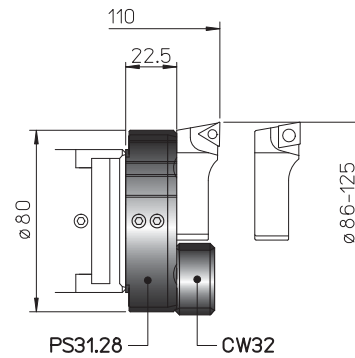
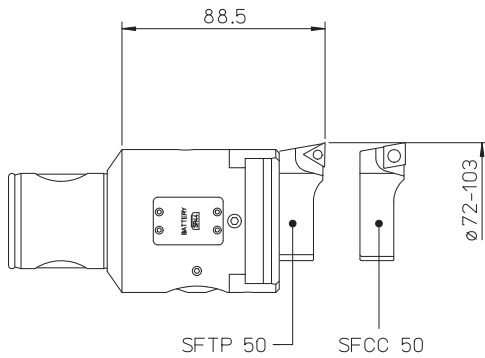
B8.06	57 201 05 06 108	6 ~ 8	45	-	WCGT 0201..	-	TS 21	TORX T06	0.065
B8.08	57 201 05 08 108	8 ~ 10	60				TS 211		0.08
B8.10	57 201 05 10 108	10 ~ 12	75	-	TPGX 0902..	CS 250 T	TORX T08	0.1	
B8.12	57 201 05 12 108	12 ~ 14	90					0.2	
B8.14	57 201 05 14 108	14 ~ 16	105					0.3	
B8.16	57 201 05 16 108	16 ~ 18	120					0.3	



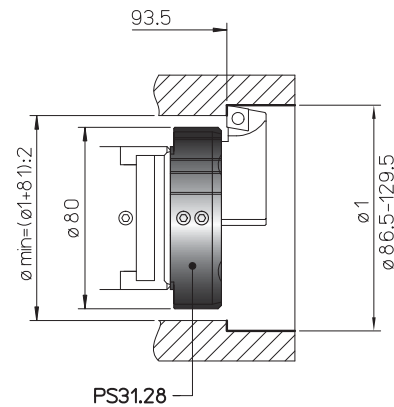
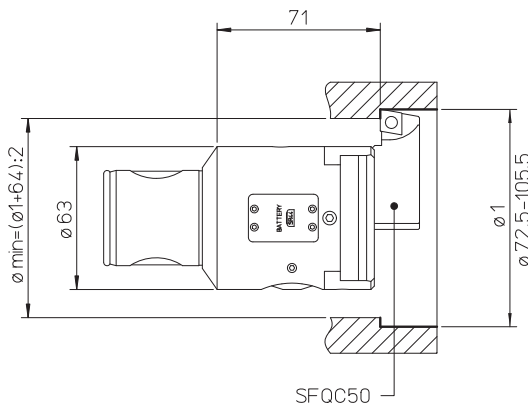
MHD'63

- TOOLHOLDERS FOR TESTAROSSA
- ДЕРЖАТЕЛИ ДЛЯ ГОЛОВКИ TESTAROSSA
- OPRAWKI NARZĘDZIOWE DO GŁOWIC TESTAROSSA
- NÁSTROJOVÉ DRŽÁKY PRO TESTAROSSA
- TESTAROSSA İÇİN TAKIM TUTUCULAR

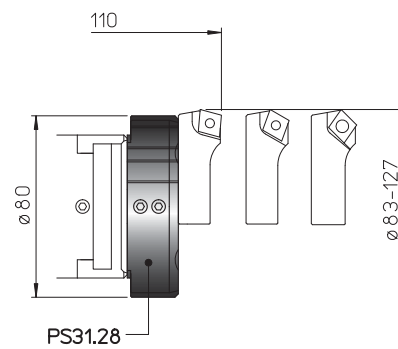
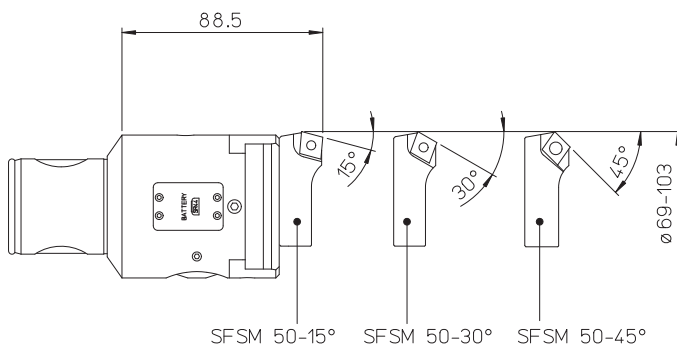
PS 31
CW 32
Ø 72~125



PS 31
Ø 72.5 ~ 129.5



PS 31
Ø 69 ~ 127



REF.	CODE	Kg.
PS 31.28 TR-ELETTRA 63	433028220802	0.3
CW 32	392011003201	0.07

119

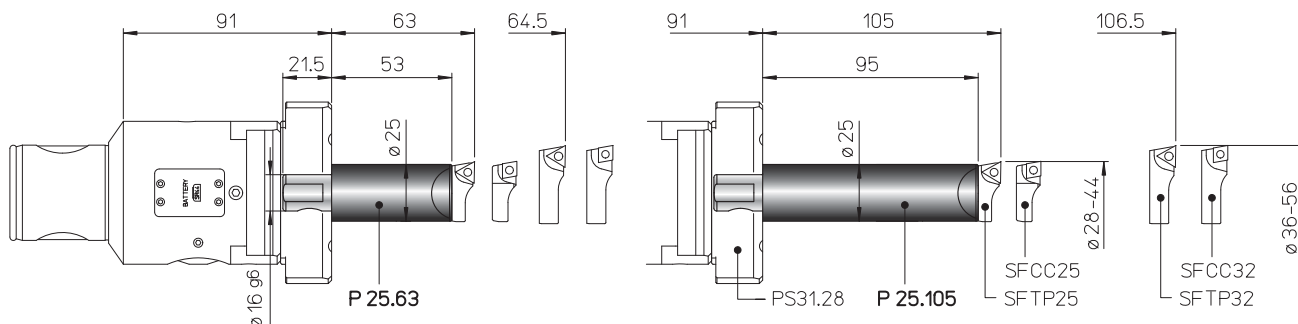


125



- TOOLHOLDERS FOR TESTAROSSA
- ДЕРЖАТЕЛИ ДЛЯ ГОЛОВКИ TESTAROSSA
- OPRAWKI NARZĘDZIOWE DO GŁOWIC TESTAROSSA
- NÁSTROJOVÉ DRŽÁKY PRO TESTAROSSA
- TESTAROSSA İÇİN TAKIM TUTUCULAR

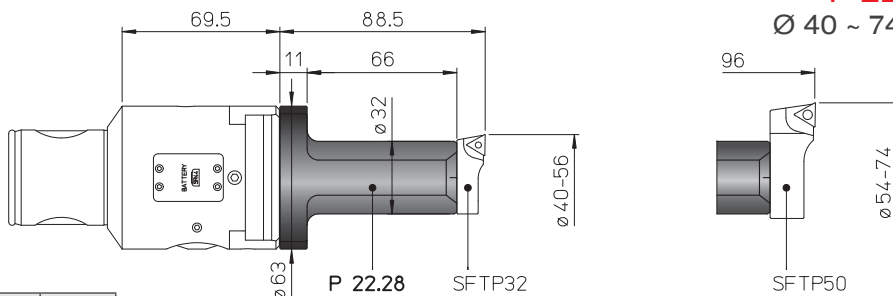
P 25
Ø 28 ~ 56



REF.	CODE	Kg.
P25.63 TR...	435116250631	0.5
P25.105 TR...	435116251051	0.8

P 22

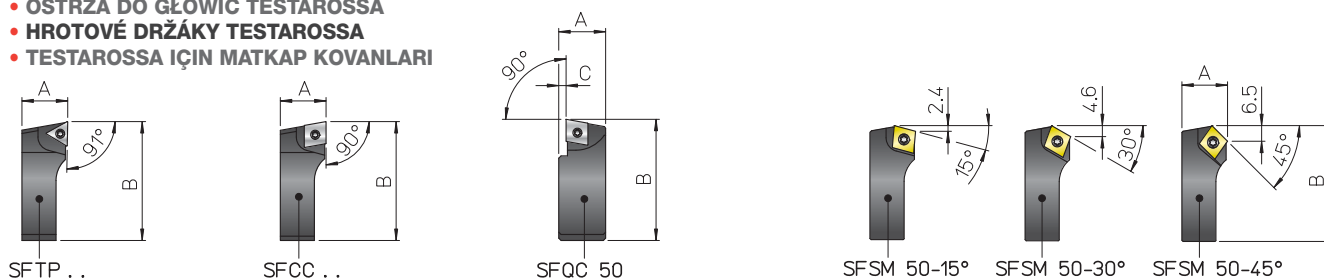
Ø 40 ~ 74



REF.	CODE	Kg.
P 22.28	433028220631	0.45

- BIT-HOLDERS FOR TESTAROSSA
- КАССЕТЫ ДЛЯ ГОЛОВКИ TESTAROSSA
- OSTRZA DO GŁOWIC TESTAROSSA
- HROTOVÉ DRŽÁKY TESTAROSSA
- TESTAROSSA İÇİN MATKAP KOVANLARI

SF



REF.	CODE	A	B	C	△	□	⊥	⌘	Kg.
SFTP 25	470500525001	10	26.5	-	TPGX 0902..	-	CS 250T	TORX T08	0.01
SFTP 32	470500532001	11.5	34.5	-	-	-	CS 300890T	TORX T08	0.02
SFTP 50	470500550001	19	52	-	TPGX 1103..	-	CS 300890T	TORX T15	0.08
SFCC 25	470500525002	10	26.5	-	-	CCGT 0602..	TS 25	TORX T08	0.01
SFCC 32	470500532002	11.5	34.5	-	-	CCGT 09T3..	TS 4	TORX T15	0.02
SFCC 50	470500550002	19	52	-	-	CCGT 09T3..	TS 4	TORX T15	0.08
SFQC 50	470500550062	20.5	53	3	-	CCMT 09T3..	TS 4	TORXT15	0.1
SFSM 50-15°	470500550011	19	50.5	-	-	CCMT 09T3..	TS 4	TORXT15	0.07
SFSM 50-30°	470500550013								
SFSM 50-45°	470500550015								

116

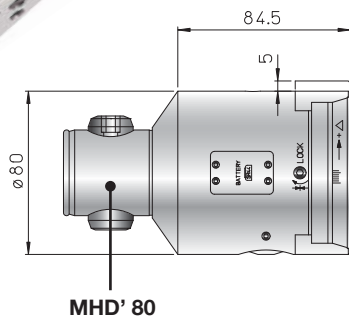
125

119

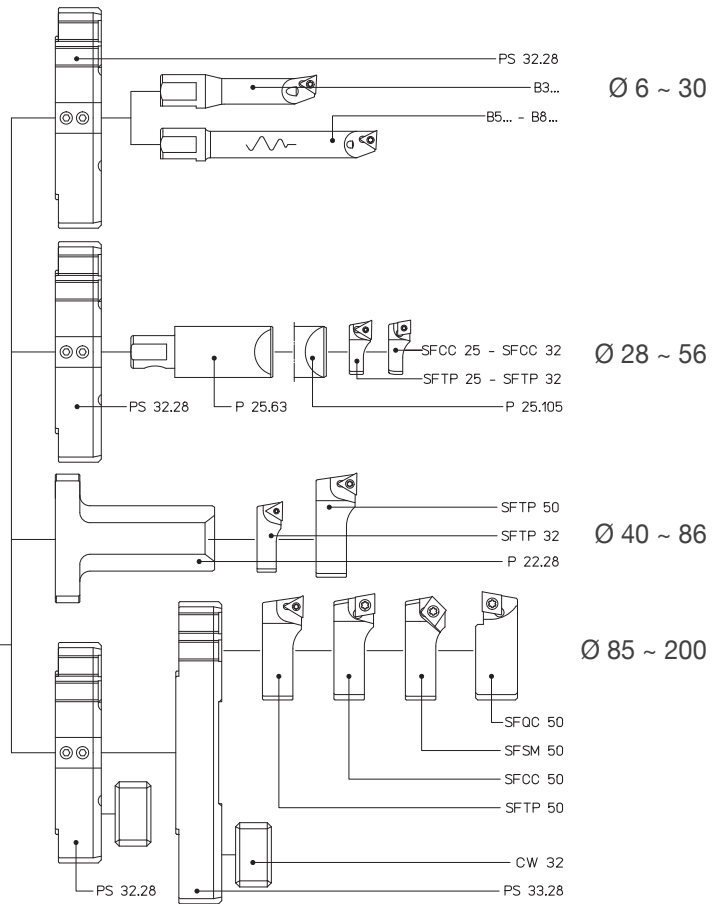




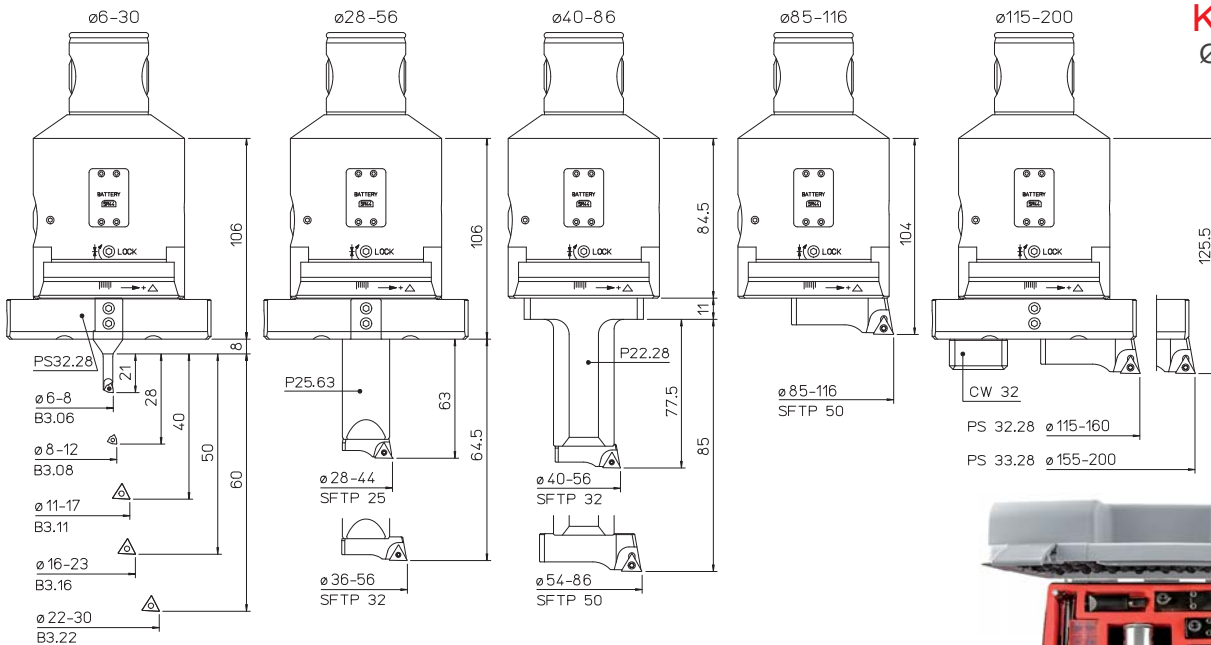
2 µm



MHD'80



REF.	CODE	Kg.
TR-ELETTRA 80 MHD'80	455200800800	3.9



KIT K01
Ø 6 ~ 200

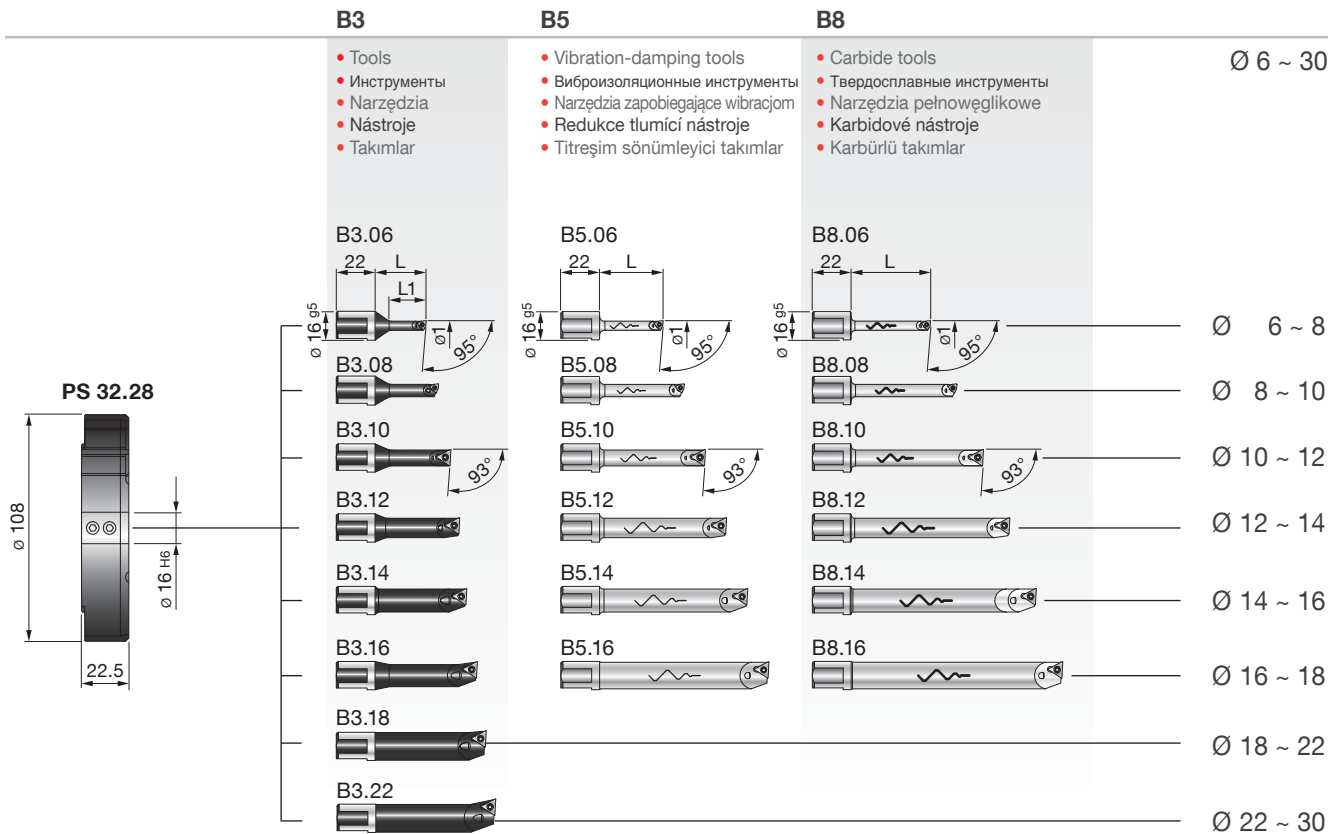


- 1 TR-ELETTRA 80 MHD'80
- 1 P25.63 1 CW 32 1 B3.16 1 SFTP50
- 1 P22.28 1 B3.06 1 B3.22 5 TPGX 090202L DC100
- 1 PS 32.28 1 B3.08 1 SFTP25 1 TPGX 110302L DC100
- 1 PS 33.28 1 B3.11 1 SFTP32 2 WCGT 020102L DC100

REF.	CODE	Ø
K01 TR-ELETTRA 80 MHD'80	655200500800	6 ~ 200

119 120 116 241





REF.	CODE	Kg.
PS 32.28 TR-ELETTRA 80	433028221082	0.5

REF.	CODE	Ø1	L	L1	⚠	⚠	🔩	🔩	Kg.
B3.06	572010506001	6 ~ 8	29	21	WCGT 0201..	-	TS 21	TORX T06	0.035
B3.08	572010508001	8 ~ 10	36	28			TS 211		0.04
B3.10	572010510001	10 ~ 12	43	35	-	TPGX 0902..	CS 250 T	TORX T08	0.05
B3.11	572010511001	11 ~ 13	48	40					0.055
B3.12	572010512001	12 ~ 14	48	42					0.06
B3.14	572010514001	14 ~ 16	52	50					0.07
B3.16	572010516001	16 ~ 18	58	50	-	-	-	-	0.1
B3.18	572010518001	18 ~ 22	63	-					
B3.22	572010522001	22 ~ 30	68	-	-	-	-	-	-
B5.06	572010506105	6 ~ 8	36	-	WCGT 0201..	-	TS 21	TORX T06	0.075
B5.08	572010508105	8 ~ 10	48				28		TS 211
B5.10	572010510105	10 ~ 12	60	-	-	TPGX 0902..	CS 250 T	TORX T08	0.1
B5.12	572010512105	12 ~ 14	72						0.2
B5.14	572010514105	14 ~ 16	84						0.2
B5.16	572010516105	16 ~ 18	96						0.3
B8.06	572010506108	6 ~ 8	45	-	WCGT 0201..	-	TS 21	TORX T06	0.065
B8.08	572010508108	8 ~ 10	60				28		TS 211
B8.10	572010510108	10 ~ 12	75	-	-	TPGX 0902..	CS 250 T	TORX T08	0.1
B8.12	572010512108	12 ~ 14	90						0.2
B8.14	572010514108	14 ~ 16	105						0.2
B8.16	572010516108	16 ~ 18	120						0.3



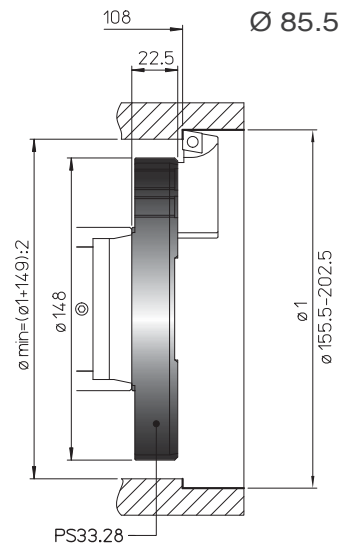
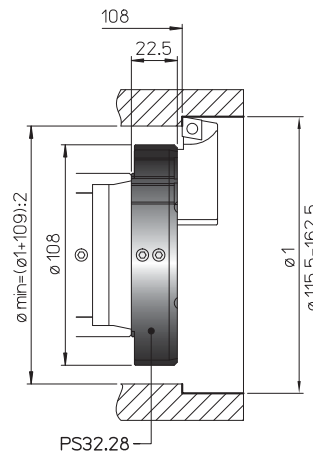
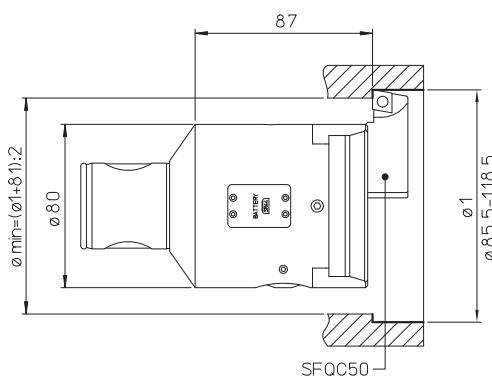
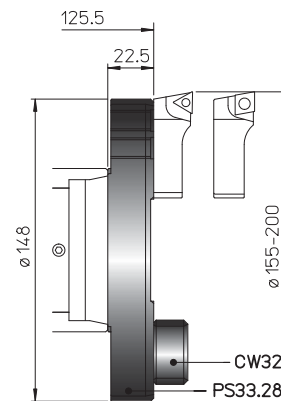
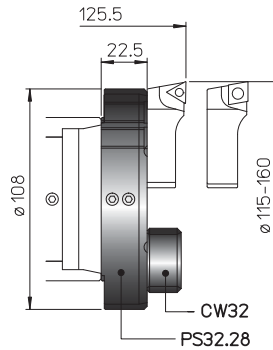
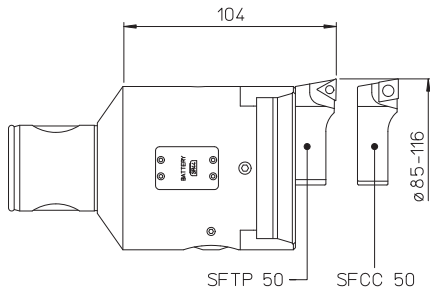
MHD'80

- TOOLHOLDERS FOR TESTAROSSA
- ДЕРЖАТЕЛИ ДЛЯ ГОЛОВКИ TESTAROSSA
- OPRAWKI NARZĘDZIOWE DO GŁOWIC TESTAROSSA
- NÁSTROJOVÉ DRŽÁKY PRO TESTAROSSA
- TESTAROSSA İÇİN TAKIM TUTUCULAR

PS

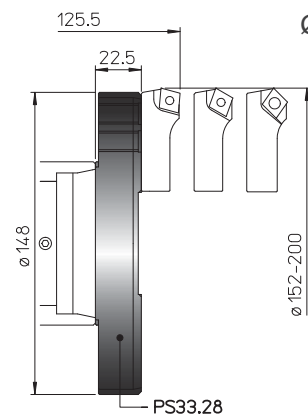
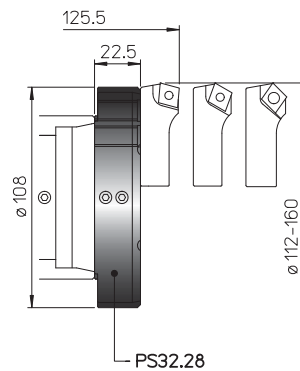
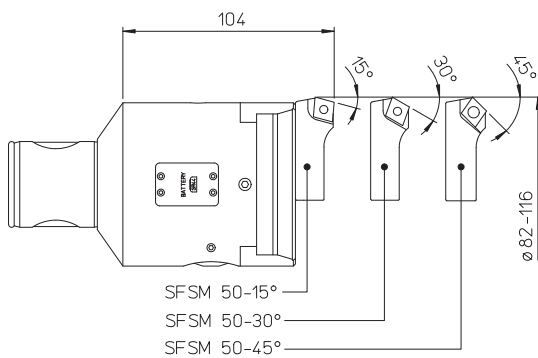
CW 32

Ø 85~ 200



PS

Ø 85.5 ~ 202.5



PS

Ø 82 ~ 200

REF.	CODE	Kg.
PS 32.28 TR-ELETTRA 80	433028221082	0.5
PS 33.28 TR-ELETTRA 80	433028221482	0.6
CW 32	392011003201	0.07

119

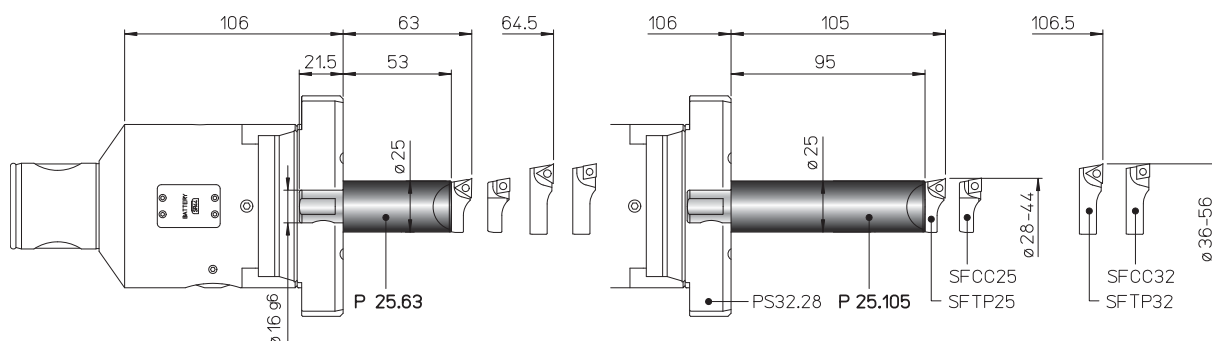


125



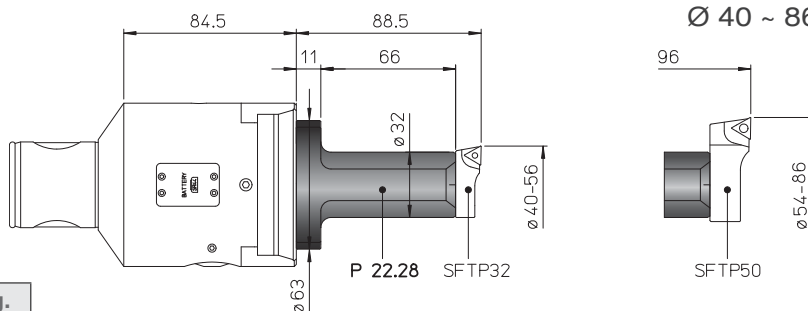
- TOOLHOLDERS FOR TESTAROSSA
- ДЕРЖАТЕЛИ ДЛЯ ГОЛОВКИ TESTAROSSA
- OPRAWKI NARZĘDZIOWE DO GŁOWIC TESTAROSSA
- NÁSTROJOVÉ DRŽÁKY PRO TESTAROSSA
- TESTAROSSA İÇİN TAKIM TUTUCULAR

P 25
Ø 28 ~ 56



REF.	CODE	Kg.
P25.63 TR...	435116250631	0.5
P25.105 TR...	435116251051	0.8

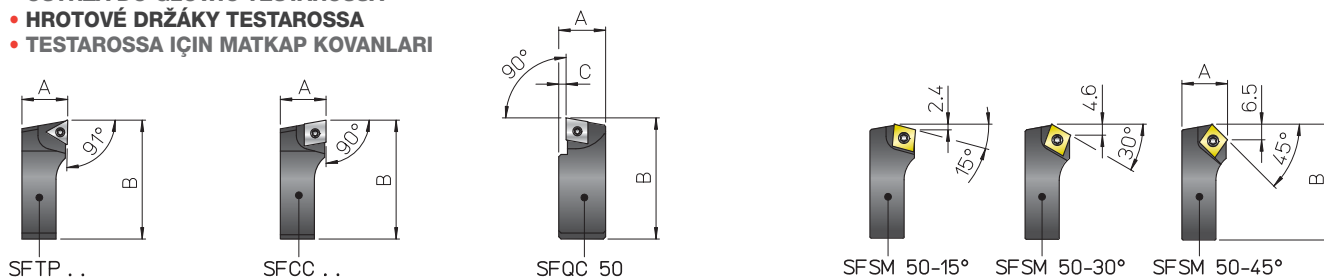
P 22
Ø 40 ~ 86



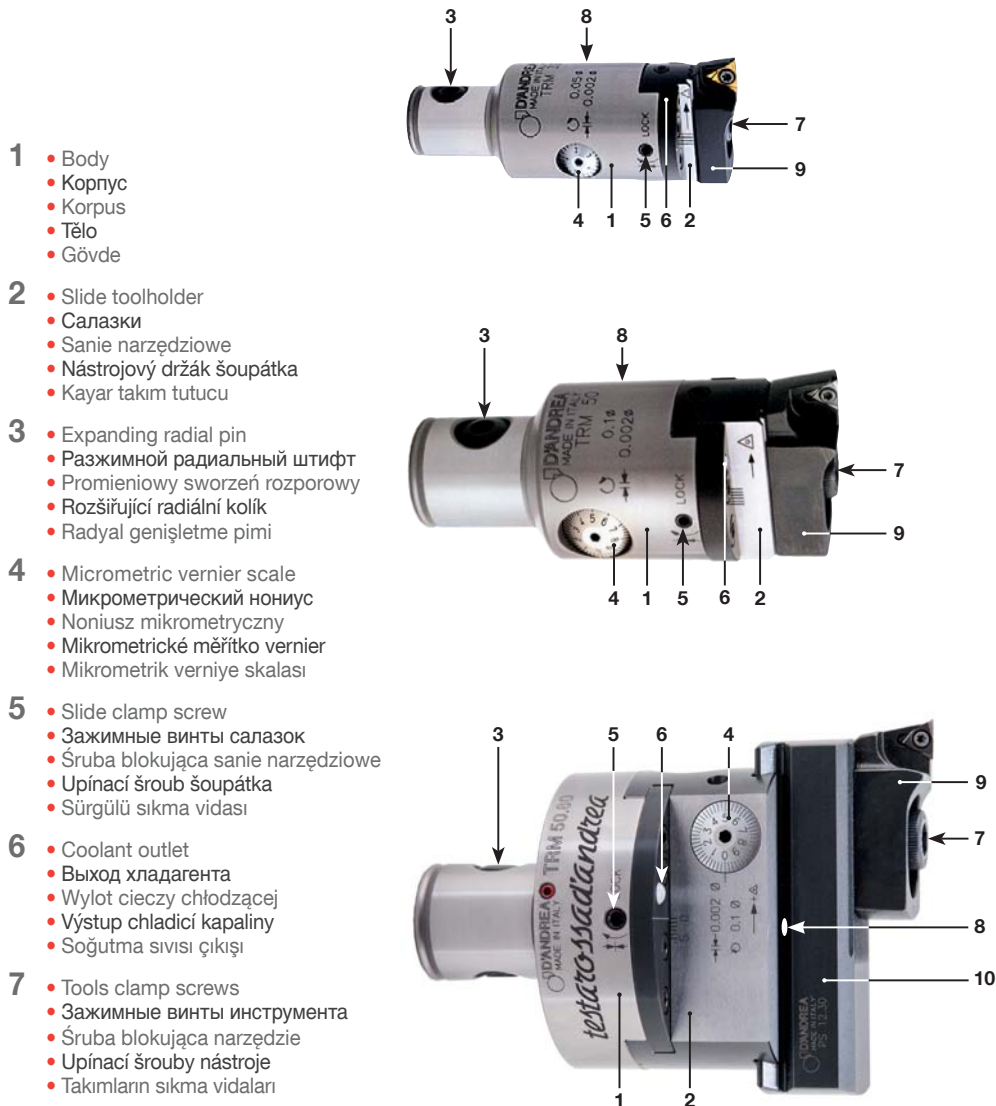
REF.	CODE	Kg.
P 22.28	433028220631	0.45

- BIT-HOLDERS FOR TESTAROSSA
- КАССЕТЫ ДЛЯ ГОЛОВКИ TESTAROSSA
- OSTRZA DO GŁOWIC TESTAROSSA
- HROTOVÉ DRŽÁKY TESTAROSSA
- TESTAROSSA İÇİN MATKAP KOVANLARI

SF



REF.	CODE	A	B	C	△	□	⊥	⌘	Kg.
SFTP 25	470500525001	10	26.5	-	TPGX 0902..	-	CS 250T	TORX T08	0.01
SFTP 32	470500532001	11.5	34.5	-	-	-	CS 300890T	TORX T08	0.02
SFTP 50	470500550001	19	52	-	TPGX 1103..	-	CS 300890T	TORX T15	0.08
SFCC 25	470500525002	10	26.5	-	-	CCGT 0602..	TS 25	TORX T08	0.01
SFCC 32	470500532002	11.5	34.5	-	-	CCGT 09T3..	TS 4	TORX T15	0.02
SFCC 50	470500550002	19	52	-	-	CCGT 09T3..	TS 4	TORX T15	0.08
SFQC 50	470500550062	20.5	53	3	-	CCMT 09T3..	TS 4	TORXT15	0.1
SFSM 50-15°	470500550011	19	50.5	-	-	CCMT 09T3..	TS 4	TORXT15	0.07
SFSM 50-30°	470500550013								
SFSM 50-45°	470500550015								



- 1 • Body
• Корпус
• Korpus
• Tělo
• Gövde

- 2 • Slide toolholder
• Салазки
• Sanie narzędziowe
• Nástrojový držák šoupátka
• Kayar takim tutucu

- 3 • Expanding radial pin
• Разжимной радиальный штифт
• Promieniowy sworzeń rozporowy
• Rozširujúci radiálny kolík
• Radyal genişletme pimi

- 4 • Micrometric vernier scale
• Микрометрический нониус
• Noniusz mikrometryczny
• Mikrometrické měřítko vernier
• Mikrometrik verniye skalası

- 5 • Slide clamp screw
• Зажимные винты салазок
• Śruba blokująca sanie narzędziowe
• Upínací šroub šoupátka
• Sürgülü sıkma vidası

- 6 • Coolant outlet
• Выход хладагента
• Wylot cieczy chłodzącej
• Výstup chladicí kapaliny
• Soğutma sıvısı çıkışı

- 7 • Tools clamp screws
• Зажимные винты инструмента
• Śruba blokująca narzędzie
• Upínací šrouby nástroje
• Takımların sıkma vidaları

2 μm



- 8 • Oiler
• Масленка
• Smarownica
• Olejnička
• Yağlayıcı

- 9 • Bit holder
• Кассета головки
• Wytaczak
• Hrotový držák
• Matkap kovani

- 10 • Tool holder
• Держатель
• Oprawka narzędziowa
• Nástrojový držák
• Takım tutucu

GB FEATURES. The TRM heads in the D'Andrea Testarossa line have protective rustproof coating. High precision work to IT6 tolerance, with excellent surface finish, is achieved using TRM boring heads. These are very sensitive and radial correction of 1 micron can be effected directly on the machine and easily read on the vernier scale.

RU ХАРАКТЕРИСТИКИ. Головки TRM линии Testarossa D'Andrea оснащены защитным антикоррозийным покрытием. Головки TRM обеспечивают высокую точность с допусками по классу IT6 с исключительной чистотой поверхности. Они очень чувствительны и радиальная коррекция в 1 микрон может быть осуществлена прямо на станке и легко считана по шкале нониуса.

PL CECHY. Głowice serii TRM, pochodzące z nowej linii Testarossa firmy D'Andrea, posiadają dodatkową ochronną powłokę antykorozyjną. Głowice TRM umożliwiają obróbkę o bardzo wysokiej dokładności w tolerancji IT6 i gwarantują uzyskanie doskonałej jakości powierzchni. Dokładność ustawcza głowic wynosi 1 mikrometr na promieniu. Wartość ta jest łatwa do odczytania bezpośrednio na noniuszu głowicy co umożliwia dokonywanie regulacji bezpośrednio na obrabiarce.

CZ VLASTNOSTI. Hlavy TRM v řadě Testarossa společnosti D'Andrea mají rezuzvdornou povrchovou úpravu. Pomocí vyvrtávacích hlav TRM se docílí vysoce přesné obrábění dle tolerance IT6 s vynikající finální úpravou povrchu. Jsou velmi citlivé a radiální korekci 1 mikronu lze provést přímo na stroji a snadno odečíst na měřítku vernier.

TR ÖZELLİKLER. D'Andrea Testarossa ürün gamındaki TRM kafaları, koruyucu paslanmaz kaplamaya sahiptir. TRM matkap başları kullanılarak IT6 toleransa kadar yüksek hassasiyetli çalışma ve mükemmel yüzey bitirme gerçekleştirilir. Bunlar son derece hassastırlar ve 1 mikron radyal düzeltme doğrudan makine üzerinde gerçekleştirilip verniye skalasında kolayca okunabilir.sul raggio, facilmente leggibile sul nonio ed eseguibile anche in macchina.

TRM 16

Ø 18 ~ 23



TRM 20

Ø 22 ~ 29



TRM 25

Ø 28 ~ 38



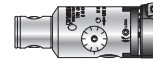
TRM 32

Ø 35.5 ~ 51.5



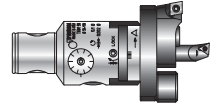
TRM 40

Ø 48 ~ 63



TRM 50

Ø 2.5 ~ 108



TRM 50/63

Ø 6 ~ 125



TRM 63/63

Ø 6 ~ 125



TRM 50/80

Ø 6 ~ 160



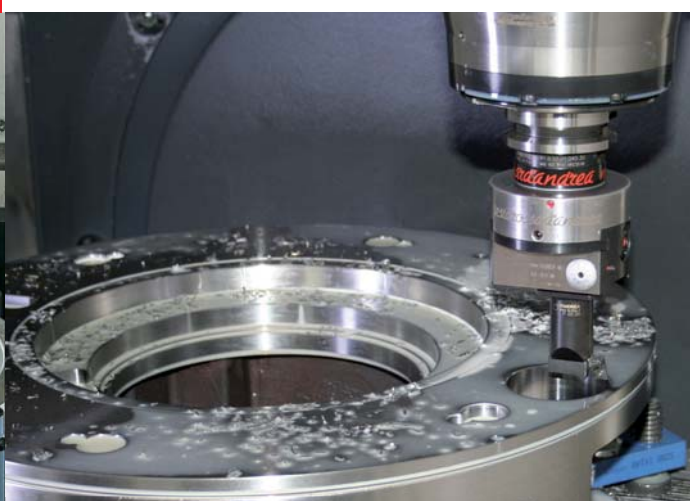
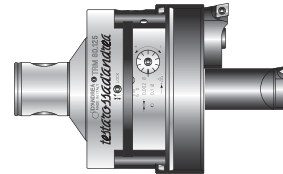
TRM 80/80

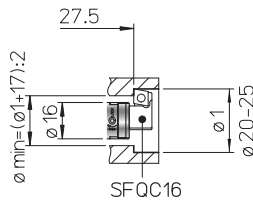
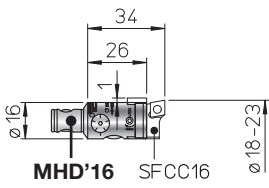
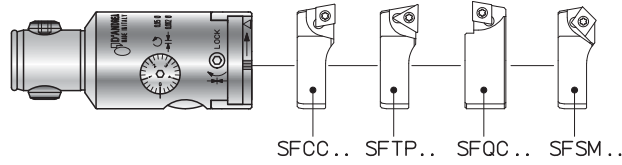
Ø 6 ~ 160



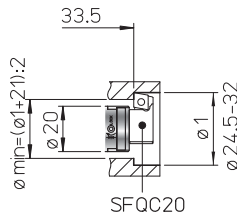
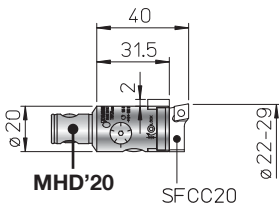
TRM 80/125

Ø 36 ~ 500

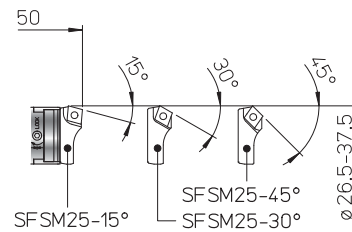
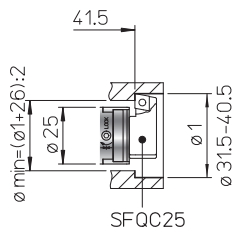
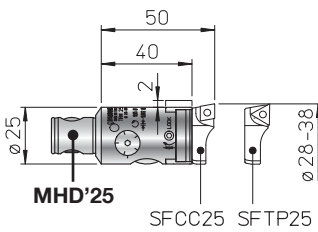




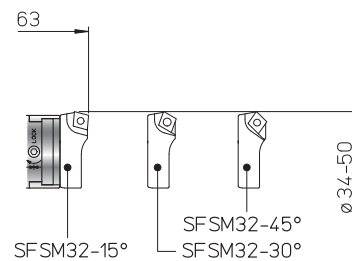
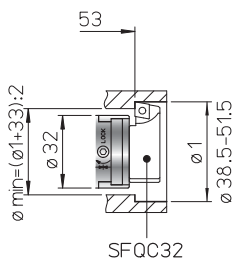
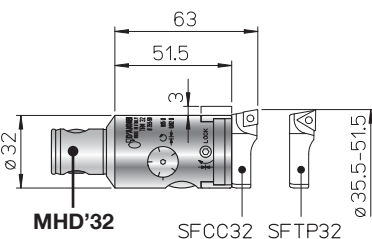
TRM 16
Ø 18 ~ 23



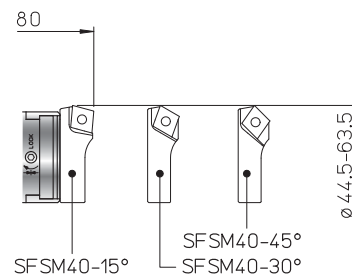
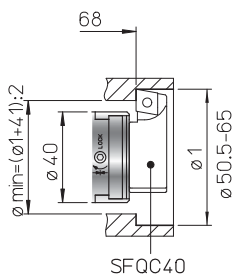
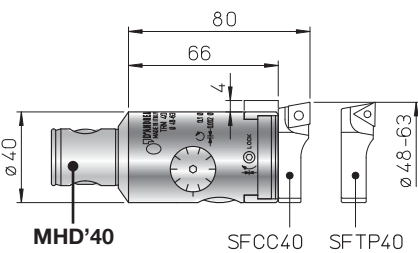
TRM 20
Ø 22 ~ 29



TRM 25
Ø 28 ~ 38



TRM 32
Ø 35.5 ~ 51.5



TRM 40
Ø 48 ~ 63



TRM

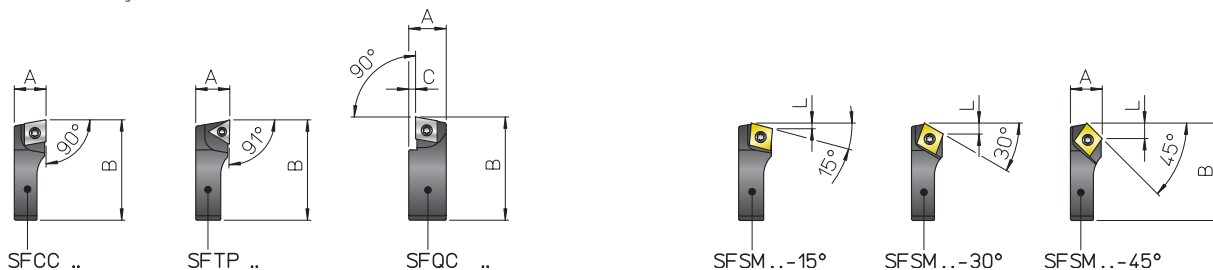


2 μm

REF.	CODE	Kg.
TRM 16	455001600341	0.05
TRM 20	455002000401	0.1
TRM 25	455002500500	0.2
TRM 32	455003200630	0.35
TRM 40	455004000800	0.7

- BIT-HOLDERS FOR TESTAROSSA
- КАССЕТЫ ДЛЯ ГОЛОВКИ TESTAROSSA
- OSTRZA DO GŁOWIC TESTAROSSA
- HROTOVÉ DRŽÁKY TESTAROSSA
- TESTAROSSA İÇİN MATKAP KOVANLARI

SF



REF.	CODE	A	B	C	L	☐	△	⌊	🔧	Kg.
SFCC 16	470500516002	8	17							0.003
SFCC 20	470500520002	8.5	21							0.005
SFCC 25	470500525002	10	26.5	-	-	CCGT 0602..	-	TS 25	TORX T08	0.01
SFCC 32	470500532002	11.5	34.5							0.02
SFCC 40	470500540002	14	44	-	-	CCGT 09T3..	-	TS 4	TORX T15	0.04
SFTP 25	470500525001	10	26.5	-	-	-	TPGX 0902..	CS 250T	TORX T08	0.01
SFTP 32	470500532001	11.5	34.5							0.02
SFTP 40	470500540001	14	44	-	-	-	TPGX 1103..	CS 300890T		0.04
SFQC 16	470500516062	10	18	2						0.005
SFQC 20	470500520062	10.5	22.5							0.008
SFQC 25	470500525062	12	28.5	2.5		CCMT 0602..	-	TS 25	TORX T08	0.01
SFQC 32	470500532062	13.5	35.5							0.03
SFQC 40	470500540062	16.5	46	3		CCMT 09T3..	-	TS 4	TORXT15	0.06
SFSM 25-15°	470500525011				1.6					
SFSM 25-30°	470500525013	10	25.5	-	3					0.01
SFSM 25-45°	470500525015				4.3					
SFSM 32-15°	470500532011				1.6					
SFSM 32-30°	470500532013	11.5	33.5	-	3	CCMT 0602..	-	TS 25	TORX T08	0.02
SFSM 32-45°	470500532015				4.3					
SFSM 40-15°	470500540011				2.4					
SFSM 40-30°	470500540013	14	42.5	-	4.6	CCMT 09T3..	-	TS 4	TORXT15	0.03
SFSM 40-45°	470500540015				6.6					

116

120

119



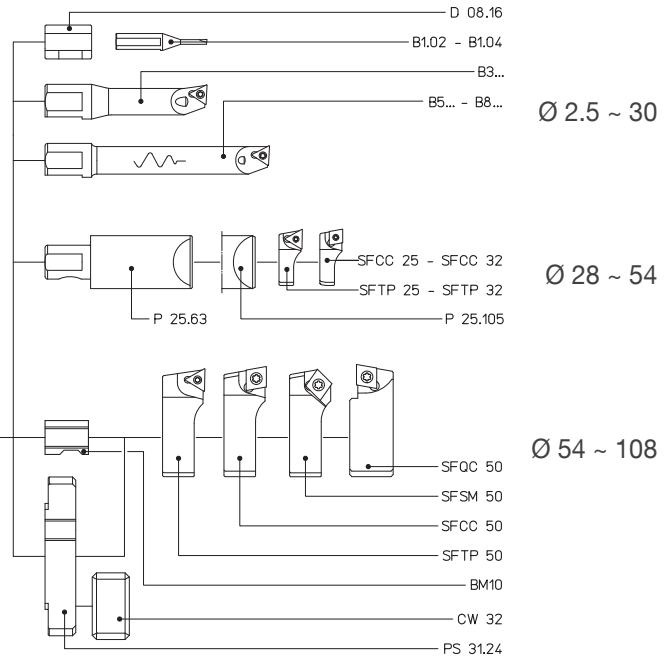
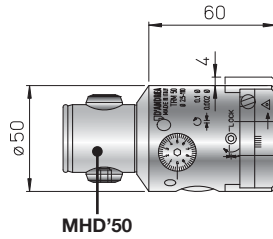
D'ANDREA MODULHARD'ANDREA

TRM 50 Ø 2.5 ~ 108

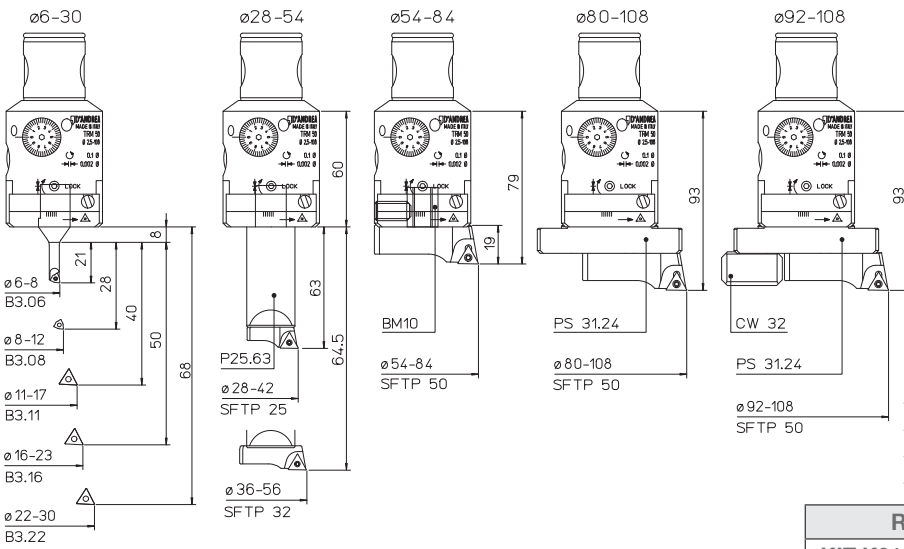
• TESTAROSSA



2 μm



REF.	CODE	Kg.
TRM 50	455005000500	1

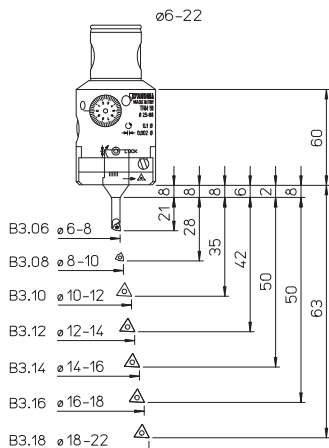


KIT K01
Ø 6 ~ 108



- 1 TRM 50
- 1 CW 32
- 1 B3.16
- 1 SFTP50
- 1 P25.63
- 1 B3.06
- 1 B3.22
- 5 TPGX 090202L DC100
- 1 BM10
- 1 B3.08
- 1 SFTP25
- 1 TPGX 110302L DC100
- 1 PS 31.24
- 1 B3.11
- 1 SFTP32
- 2 WCGT 020102L DC100

REF.	CODE	Ø
KIT K01 TRM 50	655005010501	6 ~ 108



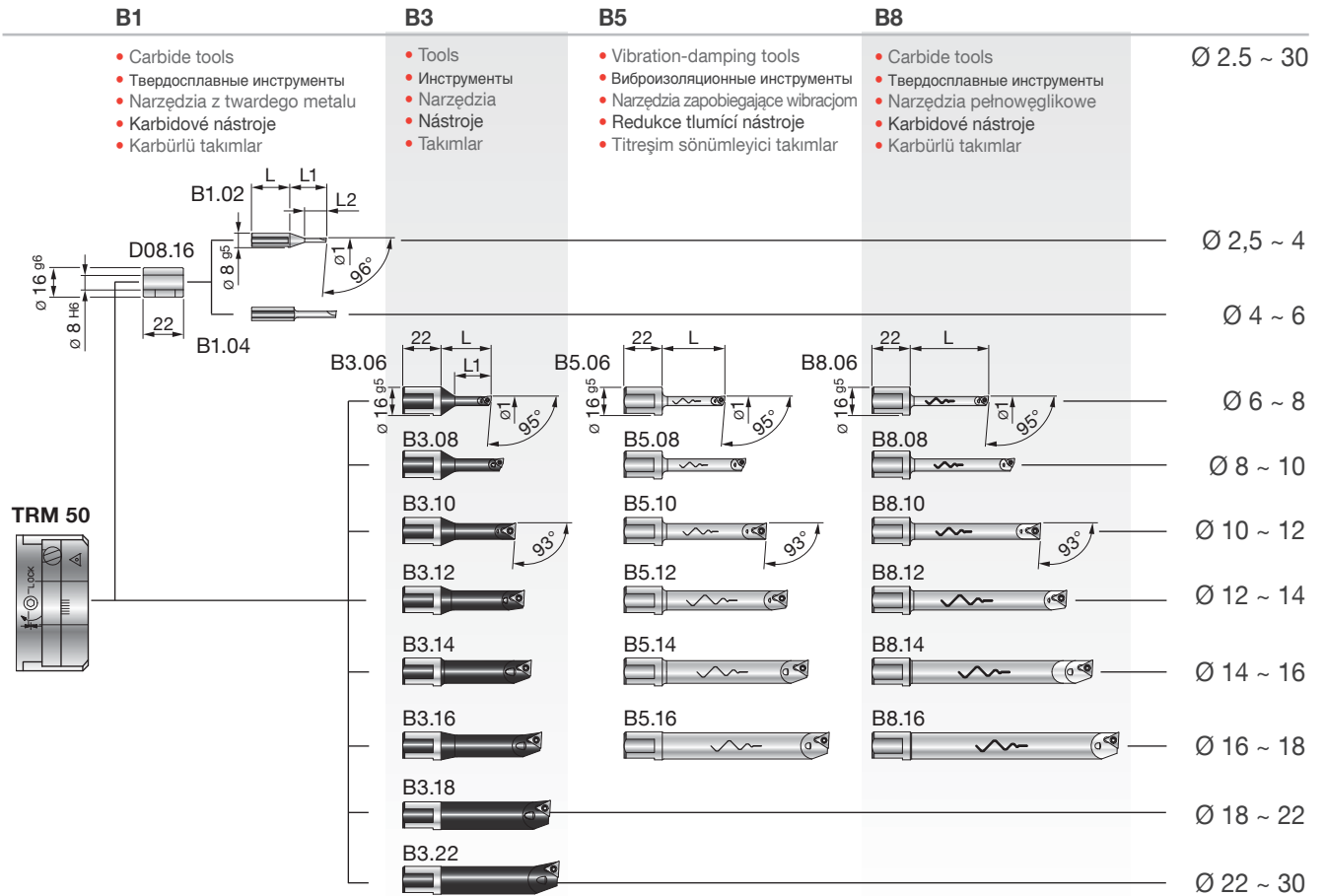
KIT K00
Ø 6 ~ 22



- 1 TRM50
- 1 B3.10
- 1 B3.16
- 5 TPGX 090202L DC100
- 1 B3.06
- 1 B3.12
- 1 B3.18
- 2 WCGT 020102L DC100
- 1 B3.08
- 1 B3.14

REF.	CODE	Ø
KIT K00 TRM 50	655005010500	6 ~ 22





REF.	CODE	Kg.
D08.16	200560116082	0.02

REF.	CODE	Ø1	L	L1	L2	Kg.
B1.02	572010502001	2.5 ~ 4	22	21	12.5	0.02
B1.04	572010504001	4 ~ 6	24	24	-	

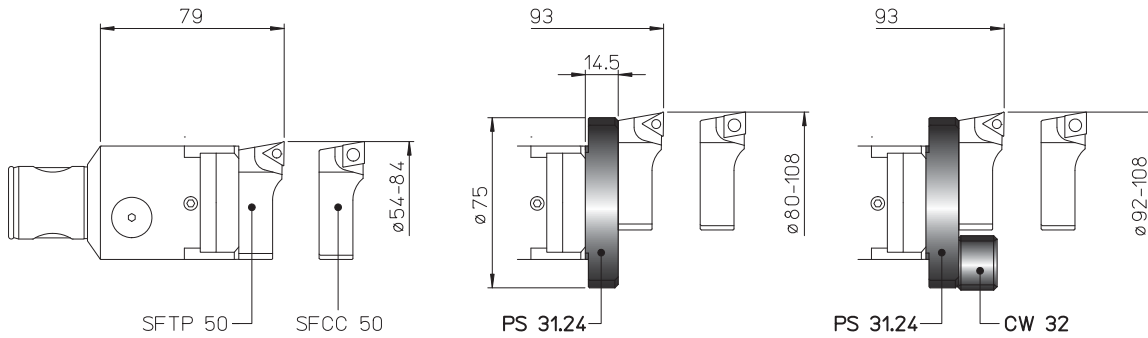
REF.	CODE	Ø1	L	L1	⊖	⊖	⊖	⊖	Kg.
B3.06	572010506001	6 ~ 8	29	21	WCGT 0201..	-	TS 21	TORX T06	0.035
B3.08	572010508001	8 ~ 10	36	28					0.04
B3.10	572010510001	10 ~ 12	43	35	-	TPGX 0902..	CS 250 T	TORX T08	0.05
B3.11	572010511001	11 ~ 13	48	40					0.055
B3.12	572010512001	12 ~ 14	48	42					0.06
B3.14	572010514001	14 ~ 16	52	50					0.07
B3.16	572010516001	16 ~ 18	58	-					0.1
B3.18	572010518001	18 ~ 22	63	-					0.1
B3.22	572010522001	22 ~ 30	68	-					0.1

B5.06	572010506105	6 ~ 8	36	-	WCGT 0201..	-	TS 21	TORX T06	0.075
B5.08	572010508105	8 ~ 10	48	-					0.09
B5.10	572010510105	10 ~ 12	60	-	-	TPGX 0902..	CS 250 T	TORX T08	0.1
B5.12	572010512105	12 ~ 14	72	-					0.2
B5.14	572010514105	14 ~ 16	84	-					0.3
B5.16	572010516105	16 ~ 18	96	-					0.3

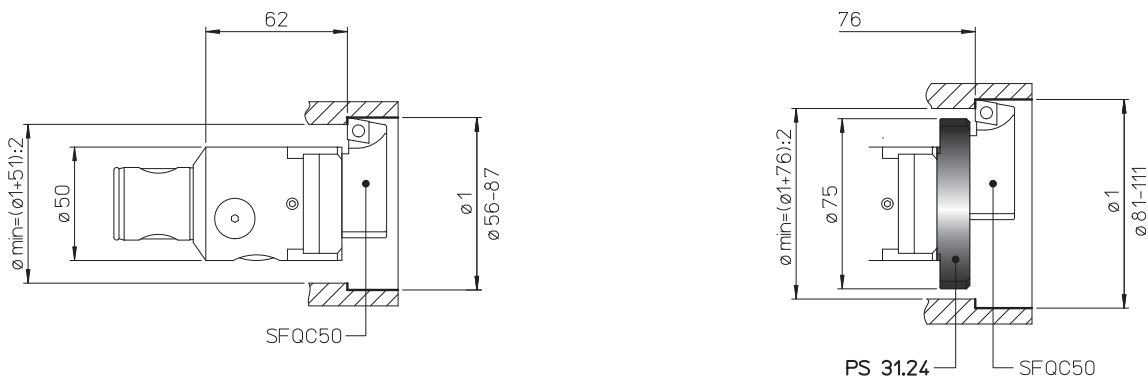
B8.06	572010506108	6 ~ 8	45	-	WCGT 0201..	-	TS 21	TORX T06	0.065
B8.08	572010508108	8 ~ 10	60	-					0.08
B8.10	572010510108	10 ~ 12	75	-	-	TPGX 0902..	CS 250 T	TORX T08	0.1
B8.12	572010512108	12 ~ 14	90	-					0.2
B8.14	572010514108	14 ~ 16	105	-					0.2
B8.16	572010516108	16 ~ 18	120	-					0.3

- TOOLHOLDERS FOR TESTAROSSA
- ДЕРЖАТЕЛИ ДЛЯ ГОЛОВКИ TESTAROSSA
- OPRAWKI NARZĘDZIOWE DO GŁOWIC TESTAROSSA
- NÁSTROJOVÉ DRŽÁKY PRO TESTAROSSA
- TESTAROSSA İÇİN TAKIM TUTUCULAR

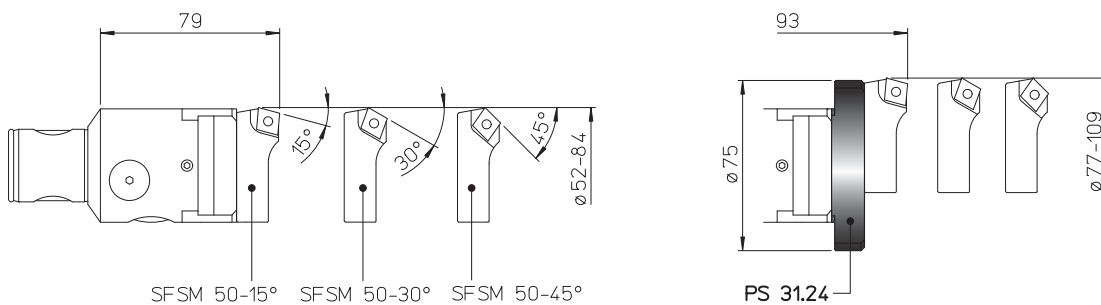
PS 31
CW 32
Ø 54 ~ 108



PS 31
Ø 56 ~ 111



PS 31
Ø 52 ~ 109

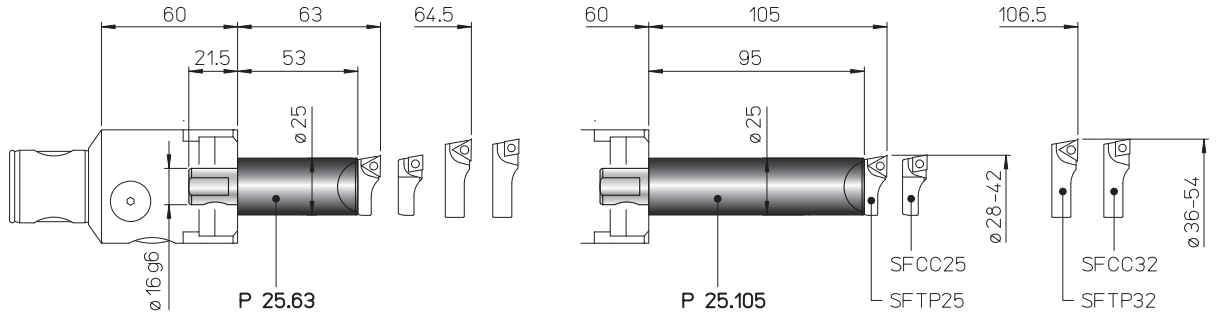


REF.	CODE	Kg.
PS 31.24 TR..50	433024140751	0.19
CW 32	392011003201	0.07



- TOOLHOLDERS FOR TESTAROSSA
- ДЕРЖАТЕЛИ ДЛЯ ГОЛОВКИ TESTAROSSA
- OPRAWKI NARZĘDZIOWE DO GŁOWIC TESTAROSSA
- NÁSTROJOVÉ DRŽÁKY PRO TESTAROSSA
- TESTAROSSA İÇİN TAKIM TUTUCULAR

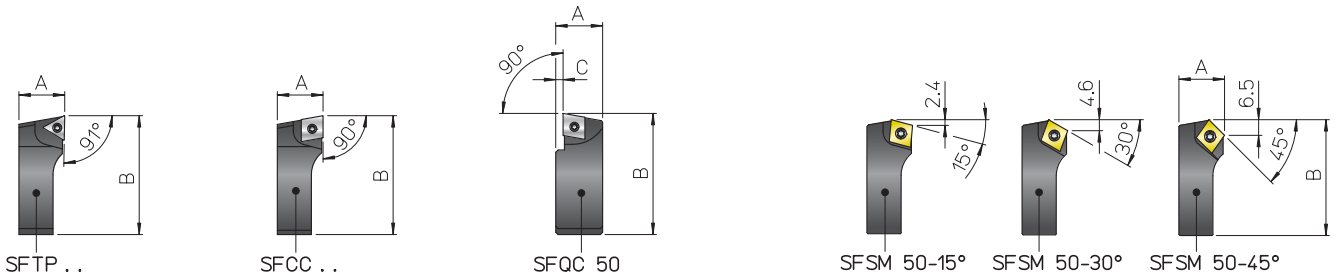
P 25
Ø 28 ~ 54



REF.	CODE	Kg.
P25.63 TR...	435116250631	0.5
P25.105 TR...	435116251051	0.8

- BIT-HOLDERS FOR TESTAROSSA
- КАССЕТЫ ДЛЯ ГОЛОВКИ TESTAROSSA
- OSTRZA DO GŁOWIC TESTAROSSA
- HROTOVÉ DRŽÁKY TESTAROSSA
- TESTAROSSA İÇİN MATKAP KOVANLARI

SF



REF.	CODE	A	B	C					Kg.
SFTP 25	470500525001	10	26.5	-	TPGX 0902..	-	CS 250T	TORX T08	0.01
SFTP 32	470500532001	11.5	34.5	-	TPGX 1103..	-	CS 300890T	TORX T08	0.02
SFTP 50	470500550001	19	52	-	TPGX 1103..	-	CS 300890T	TORX T15	0.08
SFCC 25	470500525002	10	26.5	-	-	CCGT 0602..	TS 25	TORX T08	0.01
SFCC 32	470500532002	11.5	34.5	-	-	CCGT 09T3..	TS 4	TORX T15	0.02
SFCC 50	470500550002	19	52	-	-	CCGT 09T3..	TS 4	TORX T15	0.08
SFQC 50	470500550062	20.5	53	3	-	CCMT 09T3..	TS 4	TORXT15	0.1
SFSM 50-15°	470500550011	19	50.5	-	-	CCMT 09T3..	TS 4	TORXT15	0.07
SFSM 50-30°	470500550013								
SFSM 50-45°	470500550015								

116

125

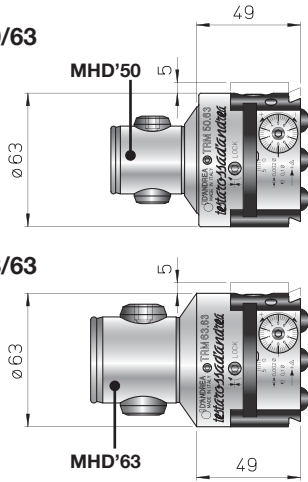
119



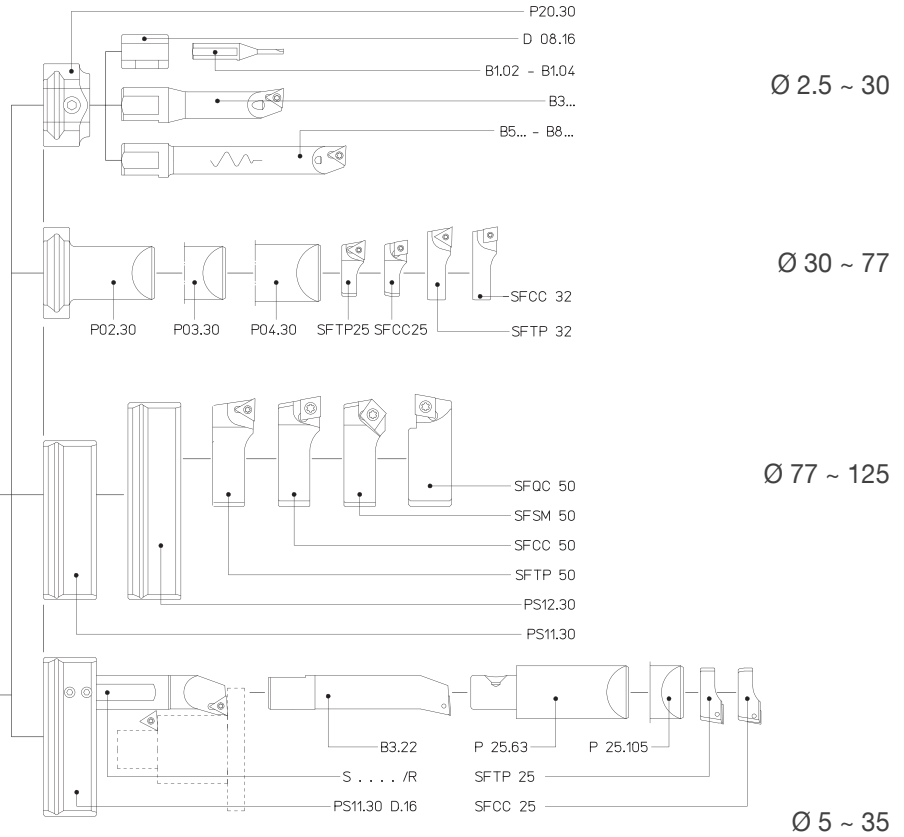
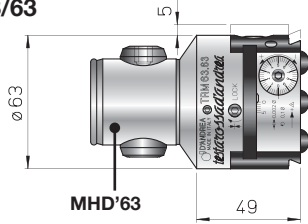


2 µm

TRM 50/63

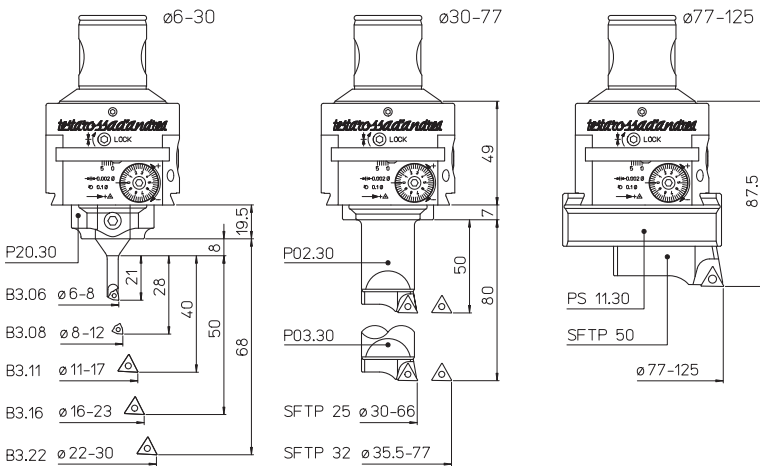


TRM 63/63



REF.	CODE	Kg.
TRM 50/63	455005000631	1.1
TRM 63/63	455006300631	1.5

KIT K01
 Ø 6 ~ 125



- 1 TRM../63
- 1 P20.30 1 B3.06 1 B3.22 5 TPGX 090202L DC100
- 1 PS11.30 1 B3.08 1 SFTP25 1 TPGX 110302L DC100
- 1 P02.30 1 B3.11 1 SFTP32 2 WCGT 020102L DC100
- 1 P03.30 1 B3.16 1 SFTP50

REF.	CODE	Ø
KIT K01 TRM 50/63	655005010632	6 ~ 125
KIT K01 TRM 63/63	655006310632	

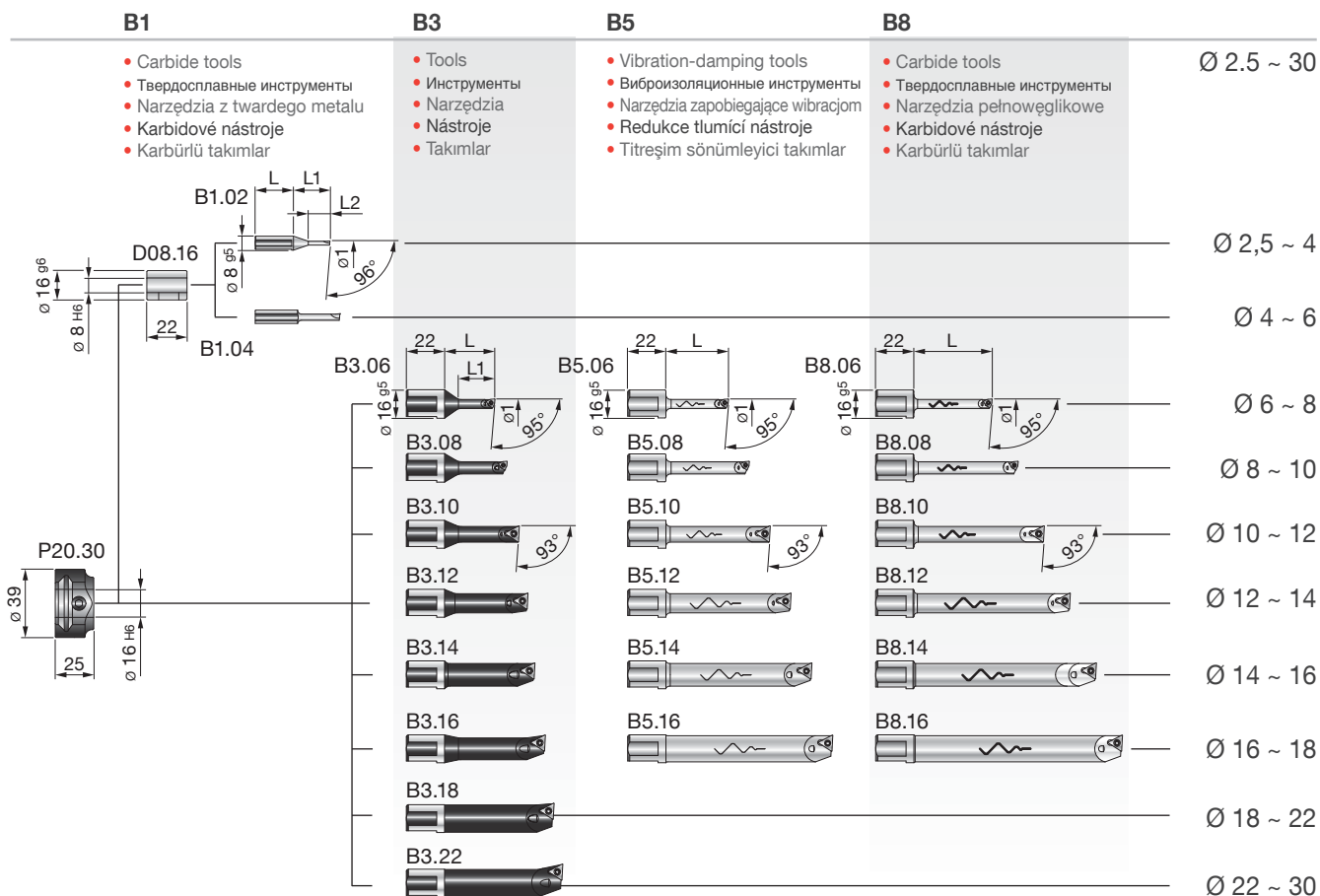
119 INFO

120

116

241





REF.	CODE	Kg.
P20.30	431030160300	0.2

REF.	CODE	Kg.
D08.16	200560116082	0.02

REF.	CODE	Ø1	L	L1	L2	Kg.
B1.02	572010502001	2.5 ~ 4	22	21	12.5	0.02
B1.04	572010504001	4 ~ 6	24	24	-	

REF.	CODE	Ø1	L	L1	△	△	🔩	🔩	Kg.		
B3.06	572010506001	6 ~ 8	29	21	WCGT 0201..	-	TS 21	TORX T06	0.035		
B3.08	572010508001	8 ~ 10	36	28					TS 211	0.04	
B3.10	572010510001	10 ~ 12	43	35			-	TPGX 0902..	CS 250 T	TORX T08	0.05
B3.11	572010511001	11 ~ 13	48	40							0.055
B3.12	572010512001	12 ~ 14	48	42	0.06						
B3.14	572010514001	14 ~ 16	52	50	-	TPGX 0902..	CS 250 T	TORX T08	0.07		
B3.16	572010516001	16 ~ 18	58						0.07		
B3.18	572010518001	18 ~ 22	63	-	-	TPGX 0902..	CS 250 T	TORX T08	0.1		
B3.22	572010522001	22 ~ 30	68						0.1		

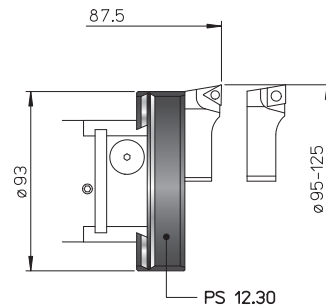
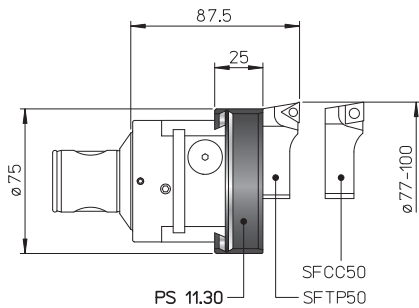
B5.06	572010506105	6 ~ 8	36	-	WCGT 0201..	-	TS 21	TORX T06	0.075
B5.08	572010508105	8 ~ 10	48						TS 211
B5.10	572010510105	10 ~ 12	60	-	TPGX 0902..	CS 250 T	TORX T08	0.1	
B5.12	572010512105	12 ~ 14	72					0.2	
B5.14	572010514105	14 ~ 16	84					0.2	
B5.16	572010516105	16 ~ 18	96					0.3	

B8.06	572010506108	6 ~ 8	45	-	WCGT 0201..	-	TS 21	TORX T06	0.065
B8.08	572010508108	8 ~ 10	60						TS 211
B8.10	572010510108	10 ~ 12	75	-	TPGX 0902..	CS 250 T	TORX T08	0.1	
B8.12	572010512108	12 ~ 14	90					0.2	
B8.14	572010514108	14 ~ 16	105					0.2	
B8.16	572010516108	16 ~ 18	120					0.3	

- TOOLHOLDERS FOR TESTAROSSA
- ДЕРЖАТЕЛИ ДЛЯ ГОЛОВКИ TESTAROSSA
- OPRAWKI NARZĘDZIOWE DO GŁOWIC TESTAROSSA
- NÁSTROJOVÉ DRŽÁKY PRO TESTAROSSA
- TESTAROSSA İÇİN TAKIM TUTUCULA

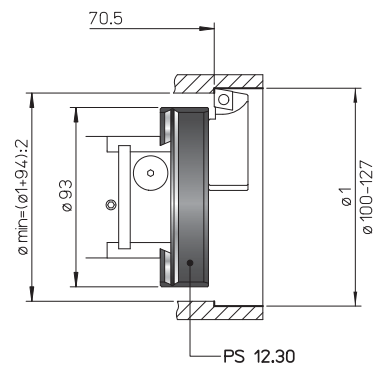
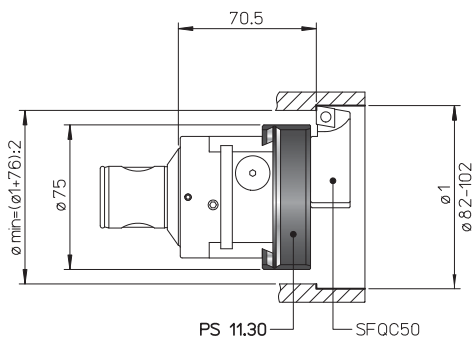
PS

Ø 77 ~ 125



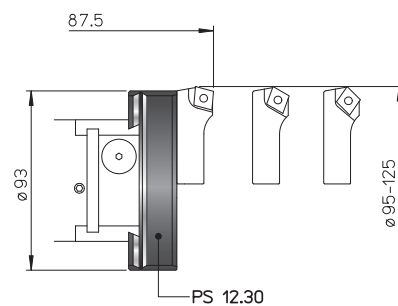
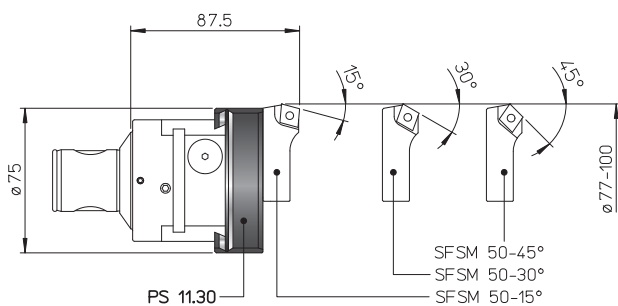
PS

Ø 82 ~ 127



PS

Ø 77 ~ 125



REF.	CODE	Kg.
PS 11.30	433030260750	0.4
PS 12.30	433030260950	0.5

119



125

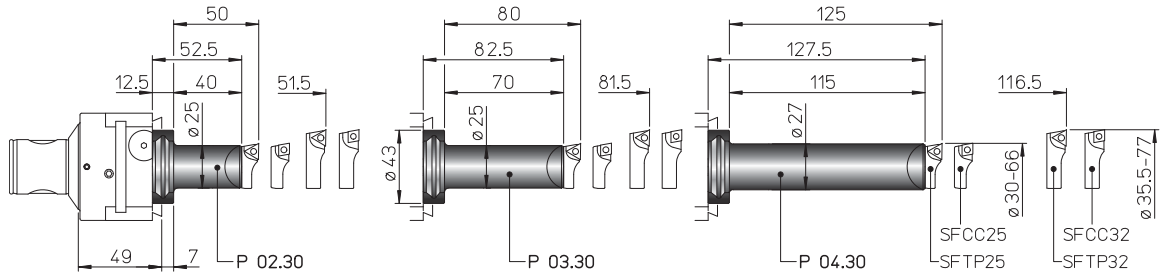


116



- TOOLHOLDERS FOR TESTAROSSA
- ДЕРЖАТЕЛИ ДЛЯ ГОЛОВКИ TESTAROSSA
- OPRAWKI NARZĘDZIOWE DO GŁOWIC TESTAROSSA
- NÁSTROJOVÉ DRŽÁKY PRO TESTAROSSA
- TESTAROSSA İÇİN TAKIM TUTUCULAR

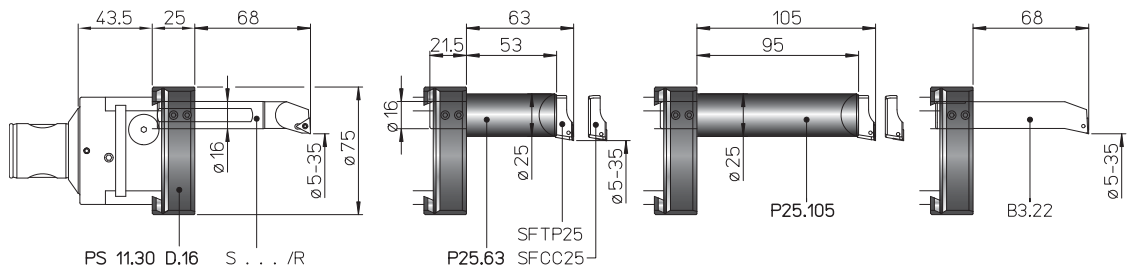
P
Ø 30 ~ 77



REF.	CODE	Kg.
P02.30	431030250400	0.3
P03.30	431030250700	0.4
P04.30	431030251150	0.7

- TESTAROSSA EXTERNAL TURNING
- TESTAROSSA ВНЕШНЕГО ОБТАЧИВАНИЯ
- TESTAROSSA TOCZENIE ZEWNĘTRZNE
- EXTERNÍ SOUSTRUŽENÍ TESTAROSSA
- TESTAROSSA DIŞ TORNALAMA

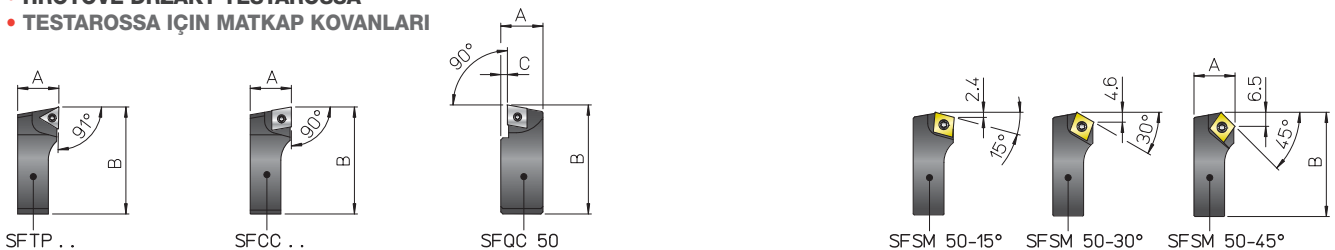
PS + P25
Ø 5 ~ 35



REF.	CODE	Kg.
PS 11.30 D.16	433030260755	0.4
P25.63 TR...	435116250631	0.5
P25.105 TR...	435116251051	0.8

- BIT-HOLDERS FOR TESTAROSSA
- КАССЕТЫ ДЛЯ ГОЛОВКИ TESTAROSSA
- OSTRZA DO GŁOWIC TESTAROSSA
- HROTOVÉ DRŽÁKY TESTAROSSA
- TESTAROSSA İÇİN MATKAP KOVANLARI

SF

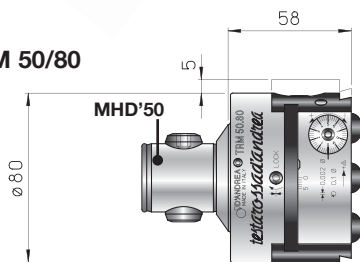


REF.	CODE	A	B	C	△	⊖	⊖	⊖	Kg.
SFTP 25	470500525001	10	26.5	-	TPGX 0902..	-	CS 250T	TORX T08	0.01
SFTP 32	470500532001	11.5	34.5	-	-	-	-	-	0.02
SFTP 50	470500550001	19	52	-	TPGX 1103..	-	CS 300890T	-	0.08
SFCC 25	470500525002	10	26.5	-	-	CCGT 0602..	TS 25	TORX T08	0.01
SFCC 32	470500532002	11.5	34.5	-	-	-	-	-	0.02
SFCC 50	470500550002	19	52	-	-	CCGT 09T3..	TS 4	TORX T15	0.08
SFQC 50	470500550062	20.5	53	3	-	CCMT 09T3..	TS 4	TORXT15	0.1
SFSM 50-15°	470500550011	19	50.5	-	-	CCMT 09T3..	TS 4	TORXT15	0.07
SFSM 50-30°	470500550013								
SFSM 50-45°	470500550015								

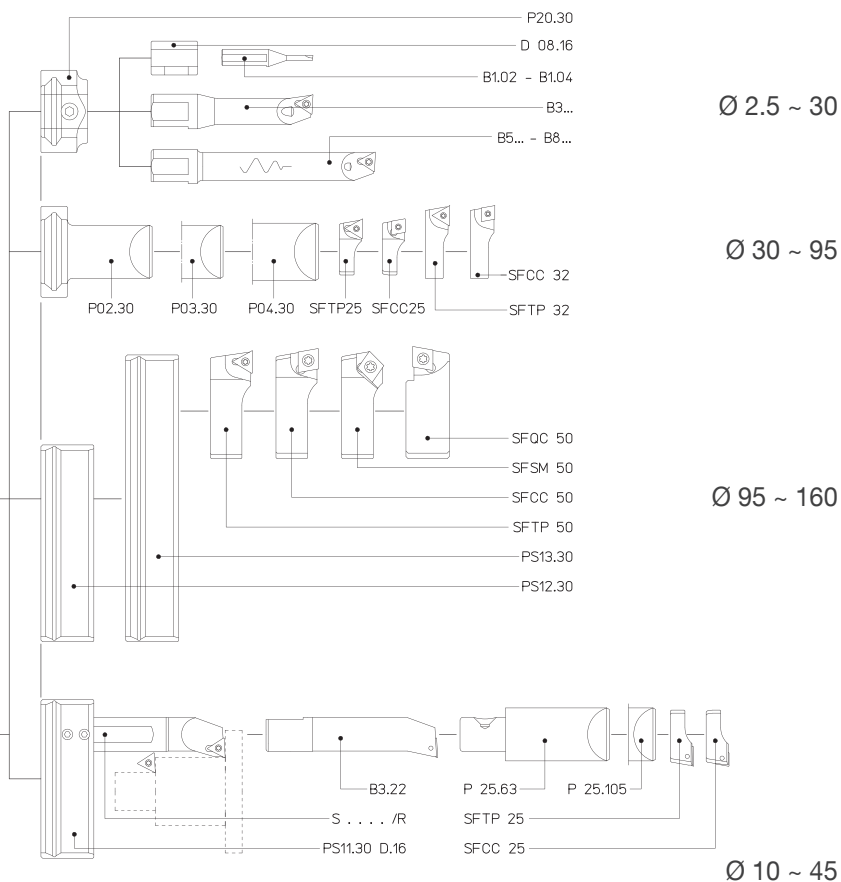
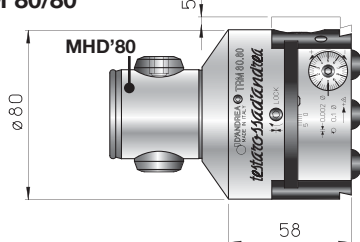


2 µm

TRM 50/80

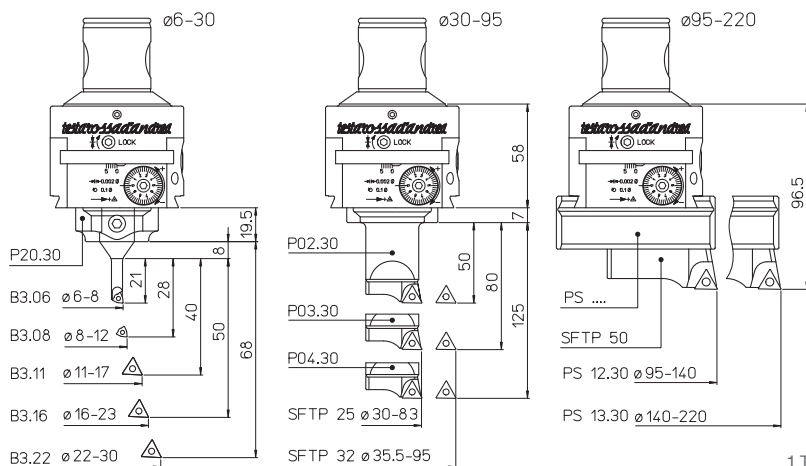


TRM 80/80



REF.	CODE	Kg.
TRM 50/80	455005000801	2
TRM 80/80	455008000801	2.5

KIT K01
 Ø 6 ~ 220



- 1 TRM.../ 80
- 1 P20.30 1 P03.30 1 SFTP50 1 B3.16 5 TPGX 090202L DC100
- 1 PS12.30 1 P04.30 1 B3.06 1 B3.22 1 TPGX 110302L DC100
- 1 PS13.30 1 SFTP25 1 B3.08 2 WCGT 020102L DC100
- 1 P02.30 1 SFTP32 1 B3.11

REF.	CODE	Ø
KIT K01 TRM 50/80	655005010802	6 ~ 220
KIT K01 TRM 80/80	655008010802	

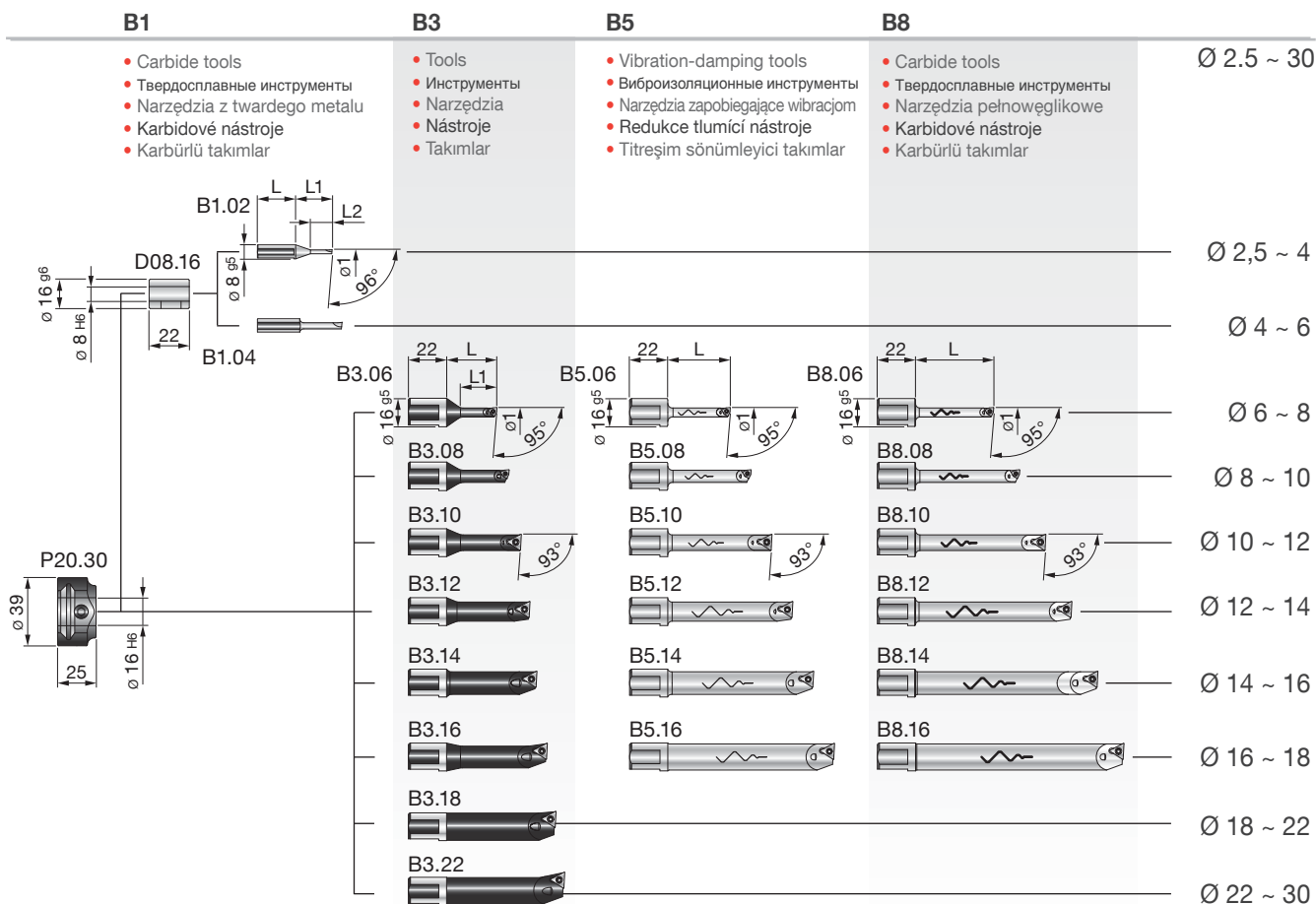
119 INFO

120 TOOLS

116 GEOMETRY

241 MEASUREMENT





REF.	CODE	Kg.
P20.30	431030160300	0.2

REF.	CODE	Kg.
D08.16	200560116082	0.02

REF.	CODE	Ø1	L	L1	L2	Kg.
B1.02	572010502001	2.5 ~ 4	22	21	12.5	0.02
B1.04	572010504001	4 ~ 6	24	24	-	

REF.	CODE	Ø1	L	L1	△	△	🔩	🔧	Kg.		
B3.06	572010506001	6 ~ 8	29	21	WCGT 0201..	-	TS 21	TORX T06	0.035		
B3.08	572010508001	8 ~ 10	36	28					TS 211	0.04	
B3.10	572010510001	10 ~ 12	43	35			-	TPGX 0902..	CS 250 T	TORX T08	0.05
B3.11	572010511001	11 ~ 13	48	40							0.055
B3.12	572010512001	12 ~ 14	42	42	0.06						
B3.14	572010514001	14 ~ 16	52	50	-	TPGX 0902..	CS 250 T	TORX T08	0.07		
B3.16	572010516001	16 ~ 18	58	58					0.1		
B3.18	572010518001	18 ~ 22	63	-					0.1		
B3.22	572010522001	22 ~ 30	68	-	-	-	-	-	0.1		

B5.06	572010506105	6 ~ 8	36	-	WCGT 0201..	-	TS 21	TORX T06	0.075
B5.08	572010508105	8 ~ 10	48						TS 211
B5.10	572010510105	10 ~ 12	60		-	TPGX 0902..	CS 250 T	TORX T08	0.1
B5.12	572010512105	12 ~ 14	72						0.2
B5.14	572010514105	14 ~ 16	84						0.2
B5.16	572010516105	16 ~ 18	96						0.3

B8.06	572010506108	6 ~ 8	45	-	WCGT 0201..	-	TS 21	TORX T06	0.065
B8.08	572010508108	8 ~ 10	60						TS 211
B8.10	572010510108	10 ~ 12	75	-	-	TPGX 0902..	CS 250 T	TORX T08	0.1
B8.12	572010512108	12 ~ 14	90						0.2
B8.14	572010514108	14 ~ 16	105						0.2
B8.16	572010516108	16 ~ 18	120						0.3

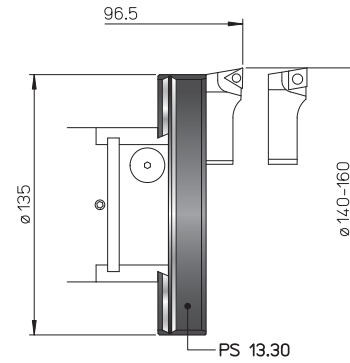
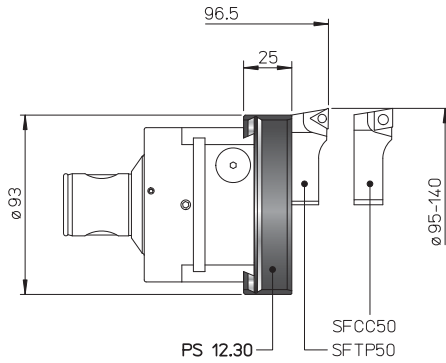
TRM 50/80

TRM 80/80 Ø 95 ~ 162

- TOOLHOLDERS FOR TESTAROSSA
- ДЕРЖАТЕЛИ ДЛЯ ГОЛОВКИ TESTAROSSA
- OPRAWKI NARZĘDZIOWE DO GŁOWIC TESTAROSSA
- NÁSTROJOVÉ DRŽÁKY PRO TESTAROSSA
- TESTAROSSA İÇİN TAKIM TUTUCULAR

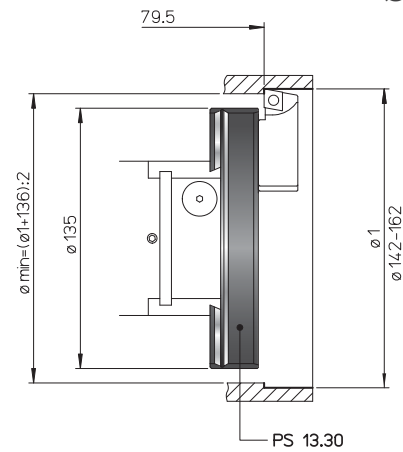
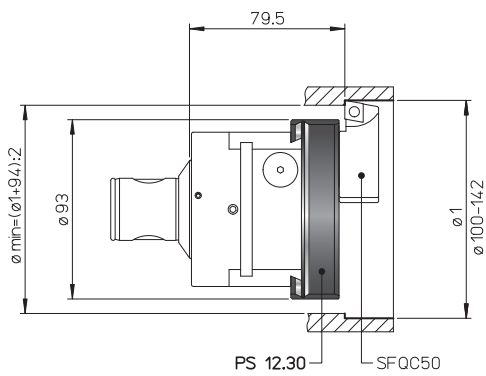
PS

Ø 95 ~ 160



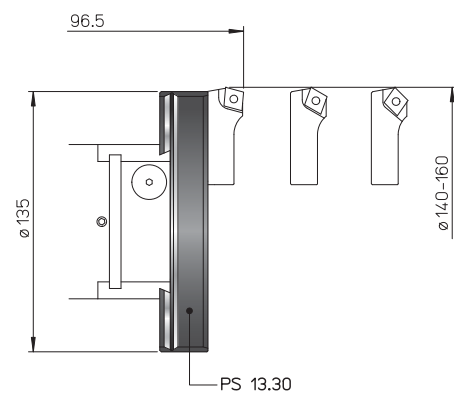
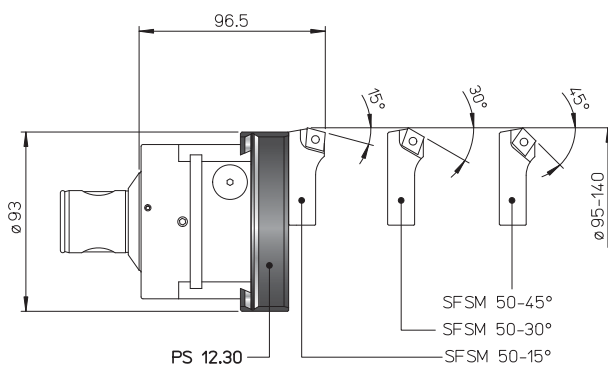
PS

Ø 100 ~ 162



PS

Ø 95 ~ 160



REF.	CODE	Kg.
PS 12.30	433030260950	0.5
PS 13.30	433030261400	0.7

119



125

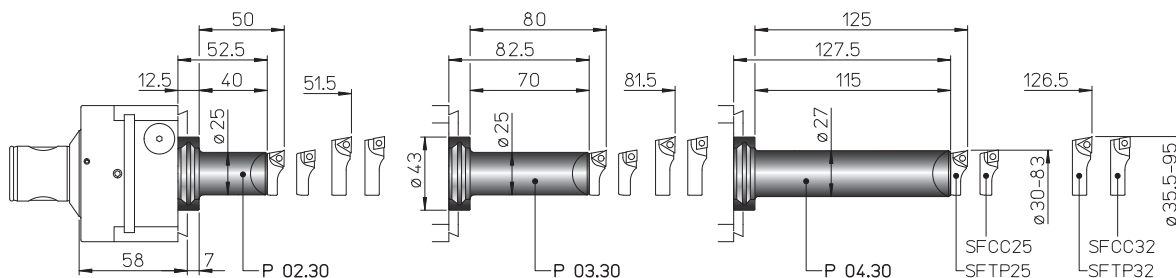


116



- TOOLHOLDERS FOR TESTAROSSA
- ДЕРЖАТЕЛИ ДЛЯ ГОЛОВКИ TESTAROSSA
- OPRAWKI NARZĘDZIOWE DO GŁOWIC TESTAROSSA
- NÁSTROJOVÉ DRŽÁKY PRO TESTAROSSA
- TESTAROSSA İÇİN TAKIM TUTUCULAR

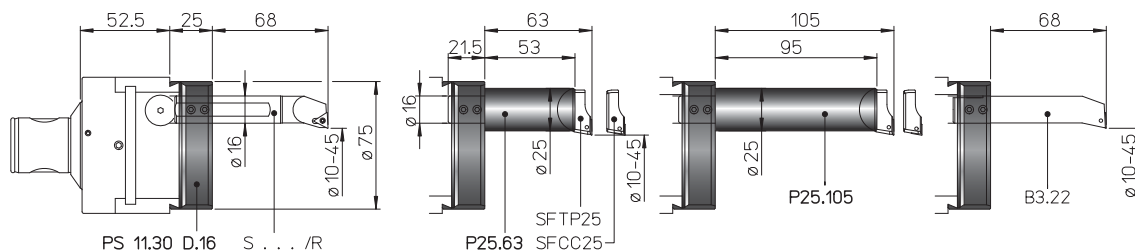
P
Ø 30 ~ 95



REF.	CODE	Kg.
P02.30	431030250400	0.3
P03.30	431030250700	0.4
P04.30	431030251150	0.7

- TESTAROSSA EXTERNAL TURNING
- TESTAROSSA ВНЕШНЕГО ОБТАЧИВАНИЯ
- TESTAROSSA TOCZENIE ZEWNĘTRZNE
- EXTERNÍ SOUSTRUŽENÍ TESTAROSSA
- TESTAROSSA DIŞ TORNALAMA

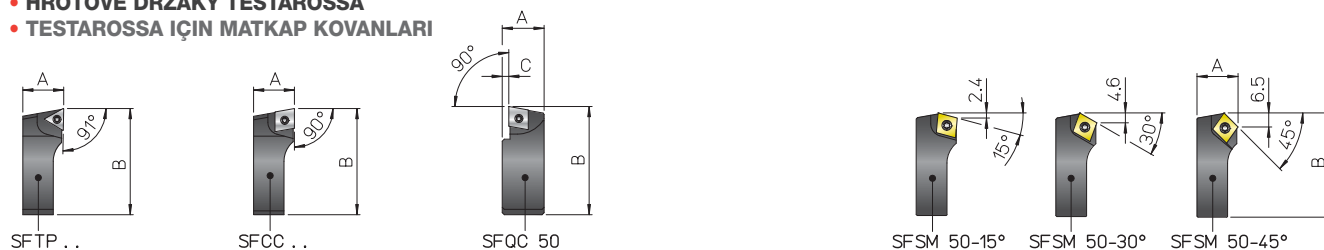
PS + P25
Ø 10 ~ 45



REF.	CODE	Kg.
PS 11.30 D.16	433030260755	0.4
P25.63 TR...	435116250631	0.5
P25.105 TR...	435116251051	0.8

- BIT-HOLDERS FOR TESTAROSSA
- КАССЕТЫ ДЛЯ ГОЛОВКИ TESTAROSSA
- OSTRZA DO GŁOWIC TESTAROSSA
- HROTOVÉ DRŽÁKY TESTAROSSA
- TESTAROSSA İÇİN MATKAP KOVANLARI

SF



REF.	CODE	A	B	C	△	□	⊥	⌘	Kg.
SFTP 25	470500525001	10	26.5	-	TPGX 0902..	-	CS 250T	TORX T08	0.01
SFTP 32	470500532001	11.5	34.5	-	-	-	-	-	0.02
SFTP 50	470500550001	19	52	-	TPGX 1103..	-	CS 300890T	-	0.08
SFCC 25	470500525002	10	26.5	-	-	CCGT 0602..	TS 25	TORX T08	0.01
SFCC 32	470500532002	11.5	34.5	-	-	-	-	-	0.02
SFCC 50	470500550002	19	52	-	-	CCGT 09T3..	TS 4	TORX T15	0.08
SFQC 50	470500550062	20.5	53	3	-	CCMT 09T3..	TS 4	TORXT15	0.1
SFSM 50-15°	470500550011	19	50.5	-	-	CCMT 09T3..	TS 4	TORXT15	0.07
SFSM 50-30°	470500550013								
SFSM 50-45°	470500550015								

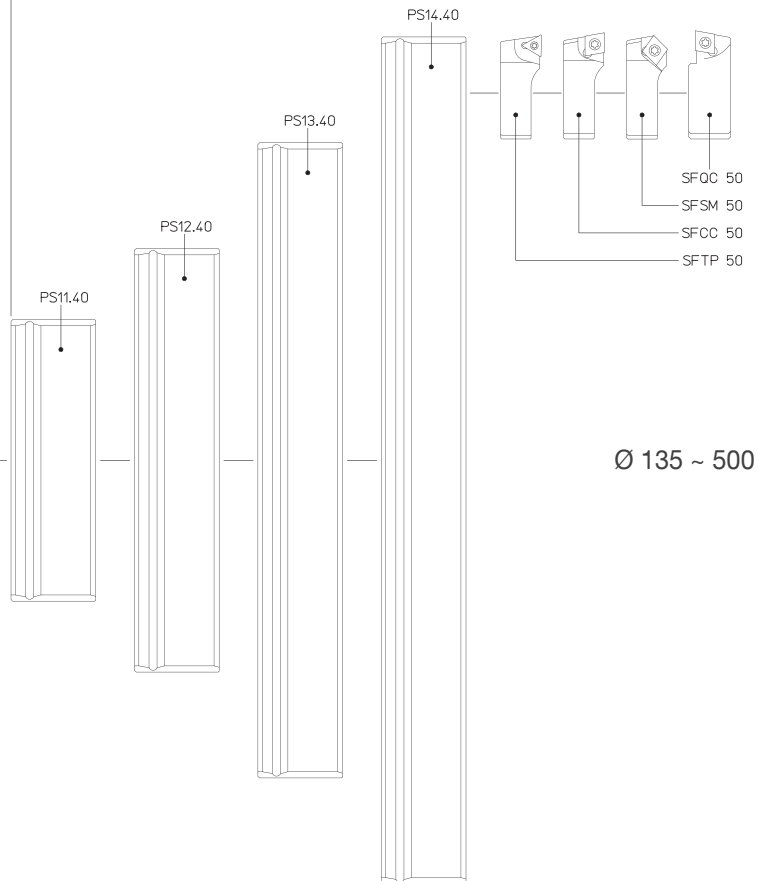
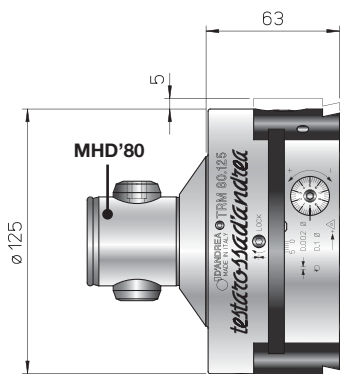
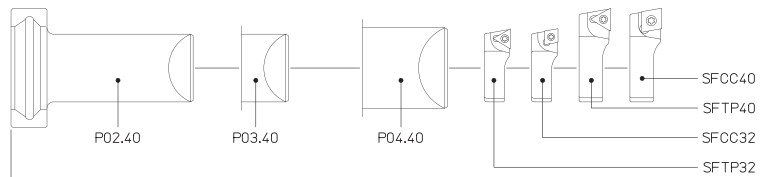
D'ANDREA

MODULHARD'ANDREA

2 µm



Ø 36 ~ 138



Ø 135 ~ 500

REF.	CODE	Kg.
TRM 80/125	455008001251	5.5

119



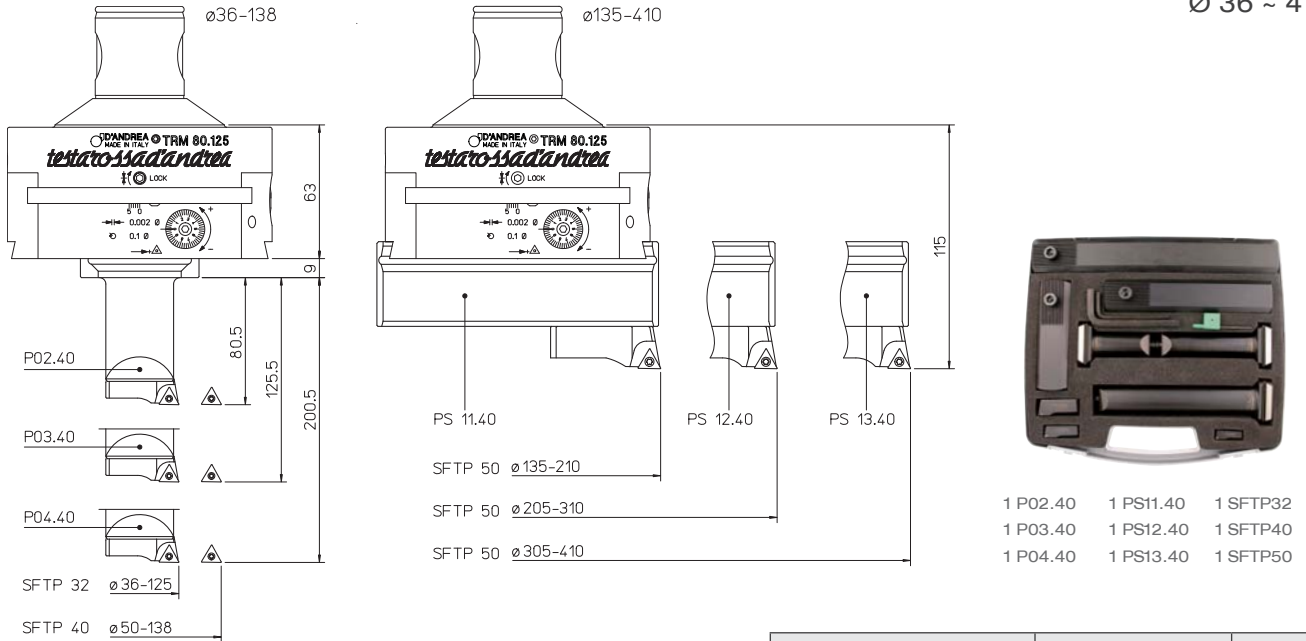
120



116



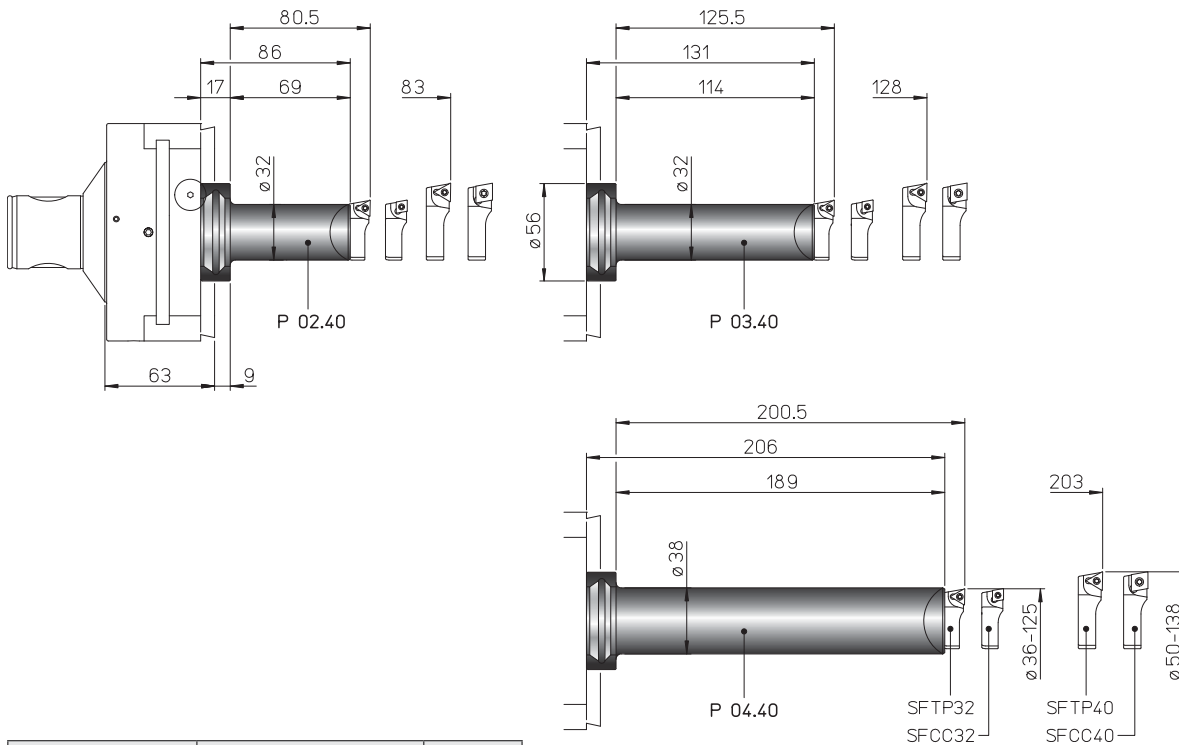
KIT K03
Ø 36 ~ 410



- 1 P02.40 1 PS11.40 1 SFTP32
- 1 P03.40 1 PS12.40 1 SFTP40
- 1 P04.40 1 PS13.40 1 SFTP50

REF.	CODE	Ø
KIT K03 TRM 80/125	655012500030	36 ~ 410

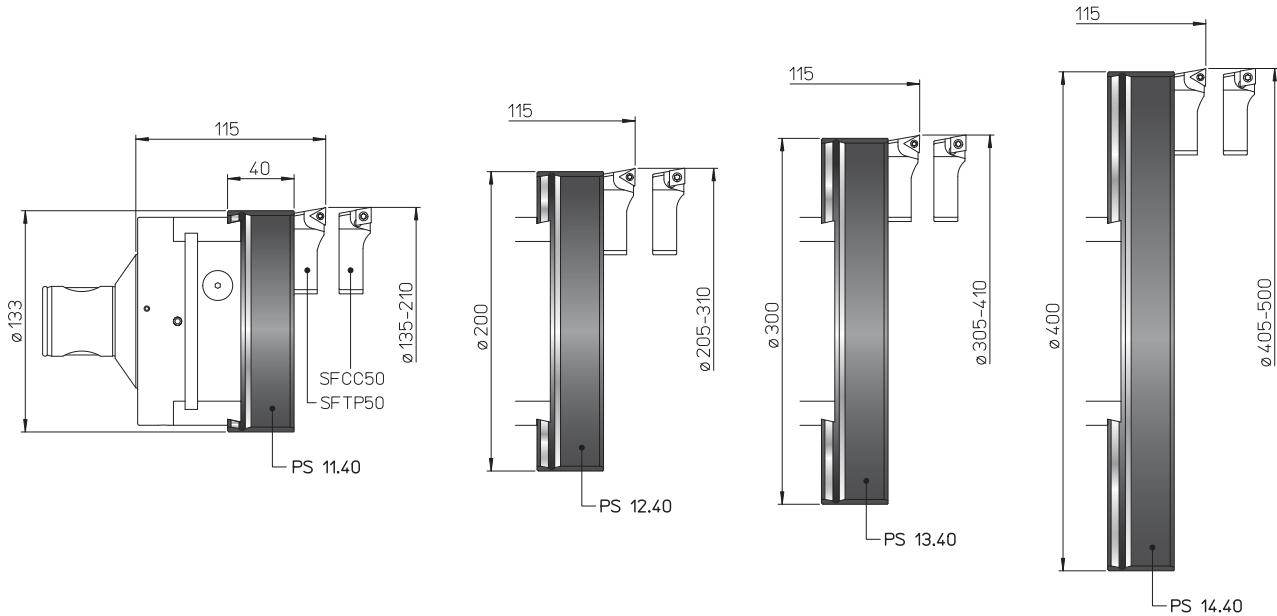
P
Ø 36 ~ 138



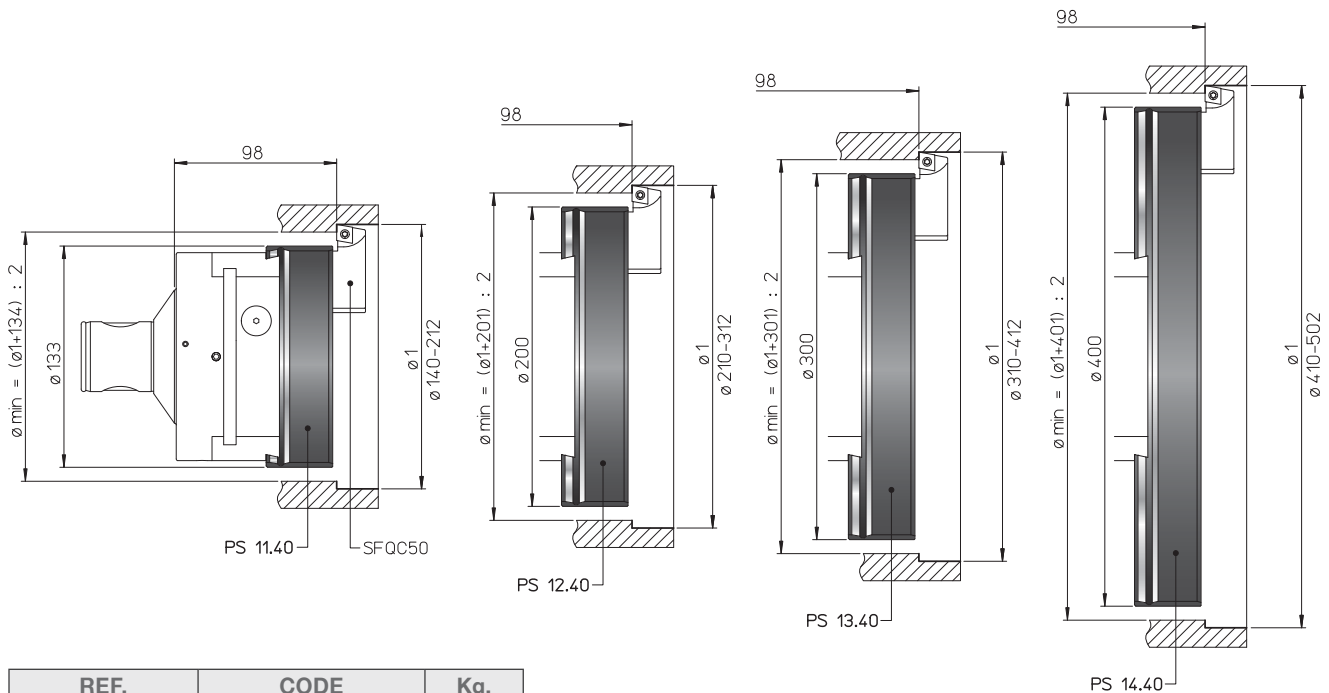
REF.	CODE	Kg.
P02.40	431040320700	0.7
P03.40	431040321150	1
P04.40	431040321900	2

- TOOLHOLDERS FOR TESTAROSSA
- ДЕРЖАТЕЛИ ДЛЯ ГОЛОВКИ TESTAROSSA
- OPRAWKI NARZĘDZIOWE DO GŁOWIC TESTAROSSA
- NÁSTROJOVÉ DRŽÁKY PRO TESTAROSSA
- TESTAROSSA İÇİN TAKIM TUTUCULAR

PS

 \varnothing 135 ~ 500

PS

 \varnothing 140 ~ 502

REF.	CODE	Kg.
PS 11.40	433040351500	1.5
PS 12.40	433040352300	2.4
PS 13.40	433040353300	3.5
PS 14.40	433040354000	4.6

119



125

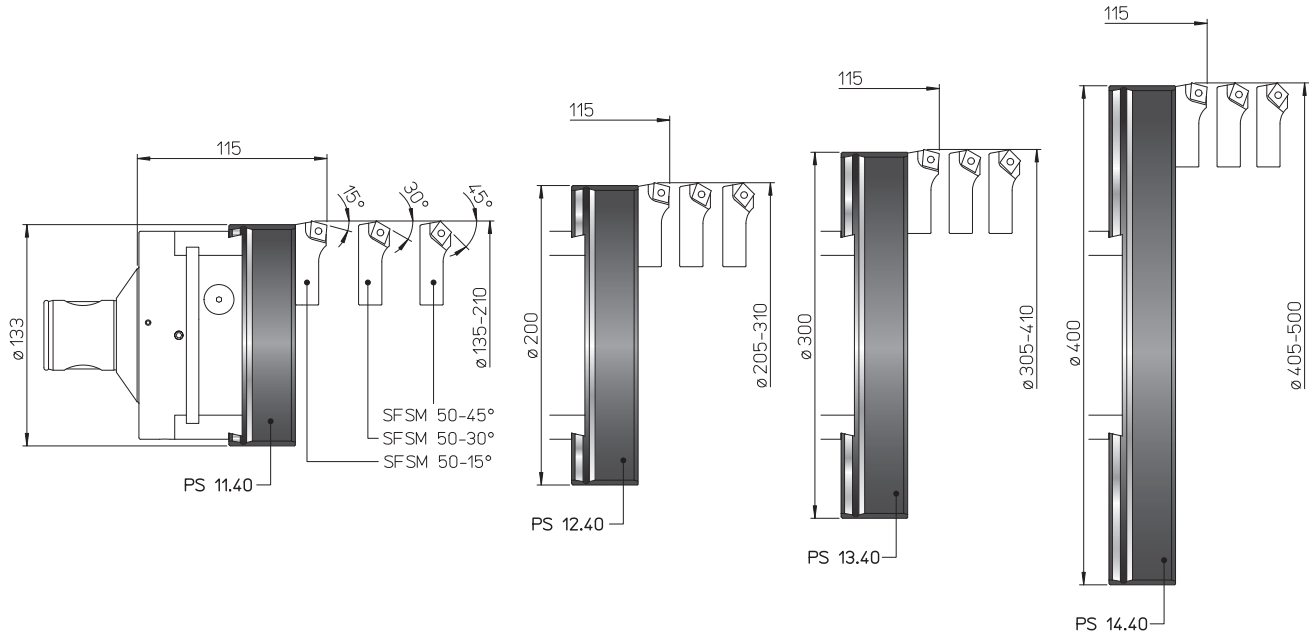


116



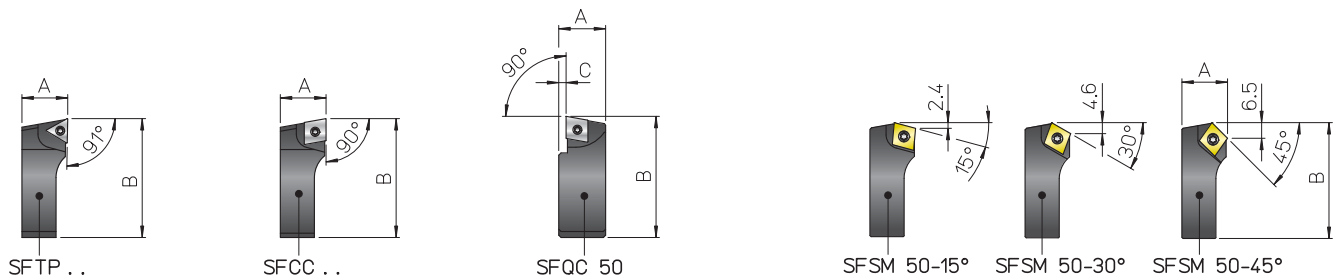
- TOOLHOLDERS FOR TESTAROSSA
- ДЕРЖАТЕЛИ ДЛЯ ГОЛОВКИ TESTAROSSA
- OPRAWKI NARZĘDZIOWE DO GŁOWIC TESTAROSSA
- NÁSTROJOVÉ DRŽÁKY PRO TESTAROSSA
- TESTAROSSA İÇİN TAKIM TUTUCULAR

PS
Ø 135 ~ 500



- BIT-HOLDERS FOR TESTAROSSA
- КАССЕТЫ ДЛЯ ГОЛОВКИ TESTAROSSA
- OSTRZA DO GŁOWIC TESTAROSSA
- HROTOVÉ DRŽÁKY TESTAROSSA
- TESTAROSSA İÇİN MATKAP KOVANLARI

SF

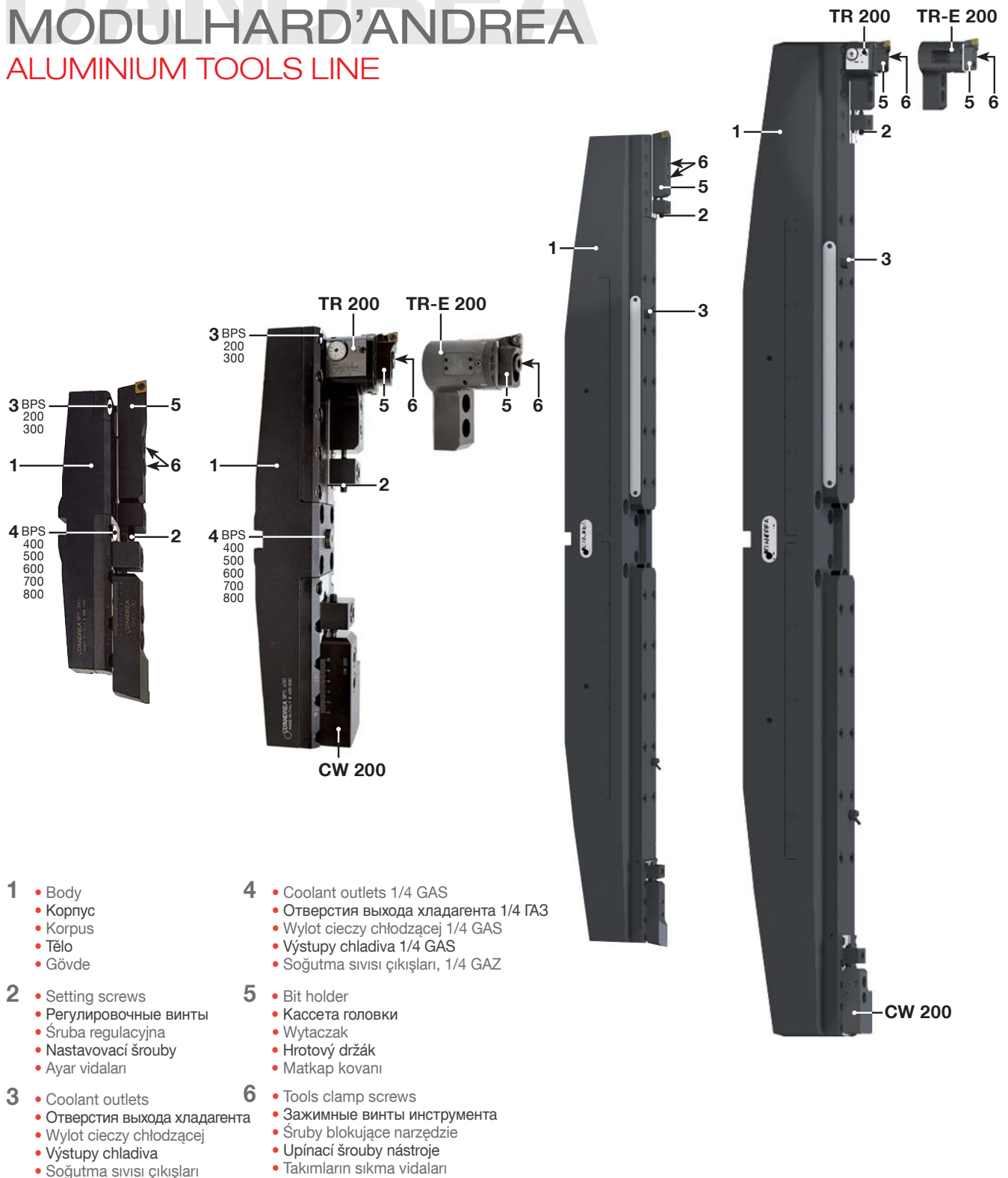


REF.	CODE	A	B	C	△	□	⌋	⌋	Kg.
SFTP 32	470500532001	11.5	34.5	-	TPGX 0902..	-	CS 250T	TORX T08	0.02
SFTP 40	470500540001	14	44	-	TPGX 1103..	-	CS 300890T		0.04
SFTP 50	470500550001	19	52	-	-	-	-		0.08
SFCC 32	470500532002	11.5	34.5	-	-	CCGT 0602..	TS 25	TORX T08	0.02
SFCC 40	470500540002	14	44	-	-	CCGT 09T3..	TS 4	TORX T15	0.04
SFCC 50	470500550002	19	52	-	-	-	-	-	0.08
SFQC 50	470500550062	20.5	53	3	-	CCMT 09T3..	TS 4	TORXT15	0.1
SFSM 50-15°	470500550011	19	50.5	-	-	CCMT 09T3..	TS 4	TORXT15	0.07
SFSM 50-30°	470500550013								
SFSM 50-45°	470500550015								

D'ANDREA

MODULHARD'ANDREA

ALUMINIUM TOOLS LINE



- | | |
|---|--|
| <p>1</p> <ul style="list-style-type: none"> • Body • Корпус • Korpus • Tělo • Gövde | <p>4</p> <ul style="list-style-type: none"> • Coolant outlets 1/4 GAS • Отверстия выхода хладагента 1/4 ГАЗ • Wylot cieczy chłodzącej 1/4 GAS • Výstupy chladiva 1/4 GAS • Soğutma sıvısı çıkışları, 1/4 GAZ |
| <p>2</p> <ul style="list-style-type: none"> • Setting screws • Регулировочные винты • Śruba regulacyjna • Nastavovací šrouby • Ayar vidaları | <p>5</p> <ul style="list-style-type: none"> • Bit holder • Кассета головки • Wytaczak • Hrotový držák • Matkap kovani |
| <p>3</p> <ul style="list-style-type: none"> • Coolant outlets • Отверстия выхода хладагента • Wylot cieczy chłodzącej • Výstupy chladiva • Soğutma sıvısı çıkışları | <p>6</p> <ul style="list-style-type: none"> • Tools clamp screws • Зажимные винты инструмента • Śruby blokujące narzędzie • Upínací šrouby nástroje • Takımların sıkma vidaları |

GB The BPS double-bit crossbars cover a working area from \varnothing 200 - 2700 mm. The BPS double-bit crossbars are constructed in Aluminium and mounted on a steel double-bit plate.

RU Двухрезцовые штанги BPS охватывают диапазон от 200 до 2700 мм. Корпус штанги BPS изготовлен из специального алюминиевого сплава и усилен стальной пластиной, на которой крепится кассета.

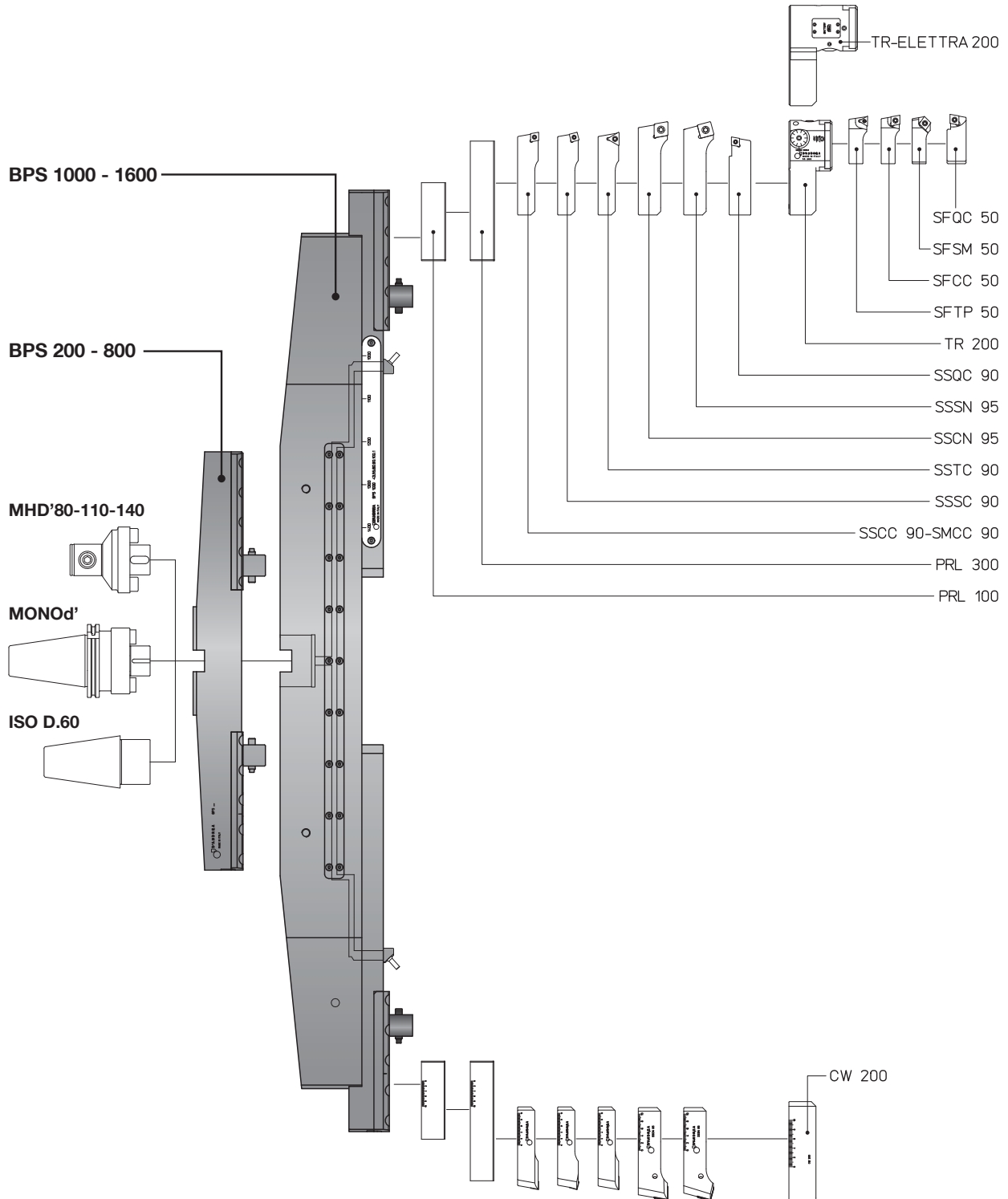
PL Wytaczadła typu BPS pozwalają obsłużyć zakres średnic od 200 do 2700 mm. Wytaczadła wykonywane są z aluminium, na którym mocowana jest stalowa płytka.

CZ Příčky dvouhrotového BPS pokrývají pracovní oblast od \varnothing 200 - 2700 mm. Příčky dvouhrotového BPS jsou konstruovány v hliníku a namontovány na ocelovou dvouhrotovou desku.

TR BPS çift uçlu çapraz kollar \varnothing 200 - 2700 mm arasında bir çalışma alanını kapsar. BPS çift uçlu çapraz kollar alüminyumdan mamuldür ve çelik çift uçlu plakanın üzerine monte edilir.



- DOUBLE-BIT CROSSBARS FOR BIG DIAMETERS
- ДВУХРЕЗЦОВЫЕ РАСТОЧНЫЕ ШТАНГИ ДЛЯ БОЛЬШИХ ДИАМЕТРОВ
- WYTACZADŁA WIELKOŚREDNICOWE
- DVOUHROTOVÉ PŘÍČKY PRO VELKÉ PRŮMĚRY
- BÜYÜK ÇAPLAR İÇİN ÇİFT UÇLU ÇAPRAZ KOLLAR



REF.	CODE	Kg.
BPS 200	435540881980	3.2
BPS 300	435540882980	3.9
BPS 400	435540883980	6.9
BPS 500	435560884940	9.4
BPS 600	435560885940	9.9

REF.	CODE	Kg.
BPS 700	435560886940	11.2
BPS 800	435560887940	15.2
BPS 1000 GD	435560901001	55
BPS 1150 GD	435560901151	70
BPS 1600 GD	435560901601	115

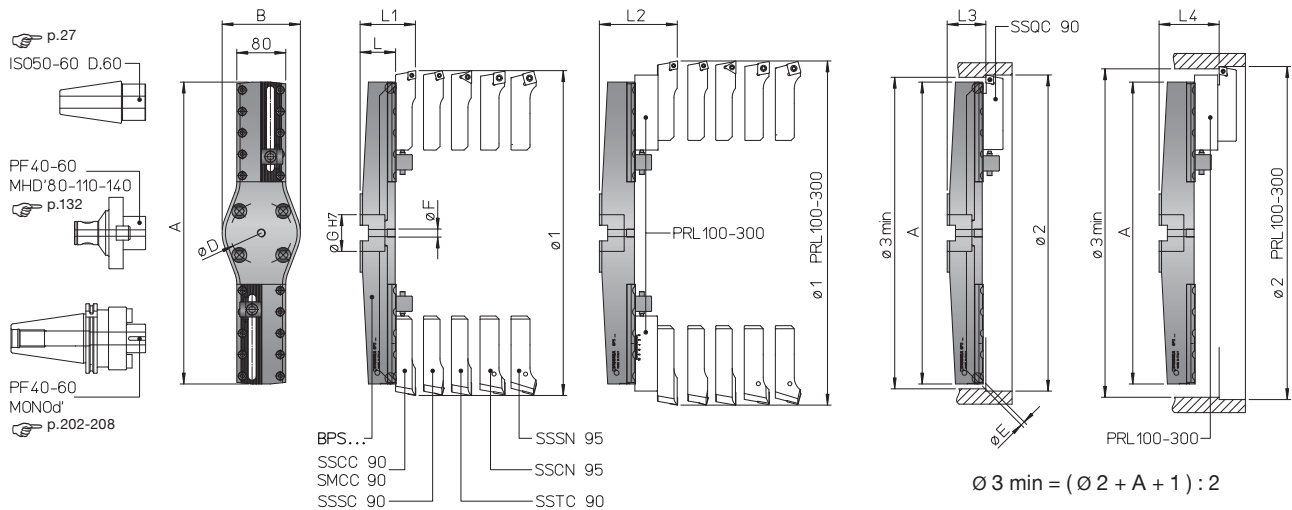
D'ANDREA

MODULHARD'ANDREA

ALUMINIUM TOOLS LINE

BPS 200~800 Ø 200 ~ 1200

- DOUBLE-BIT BORING CROSSBARS
- ДВУХРЕЗЦОВЫЕ ШТАНГИ
- WYTACZADŁA DWUONOŻOWE
- DVOUHROTOVÉ PŘÍČKY PRO VYVRTÁVÁNÍ
- DELİK AÇMA İÇİN ÇİFT UÇLU ÇAPRAZ KOLLAR



	BPS 200	BPS 300	BPS 400	BPS 500	BPS 600	BPS 700	BPS 800
A	194	288	394	494	594	694	794
B	-			128			
Ø D	(4xM12) 66.7			(4xM16) 101.6			
Ø E	2.5		-				
Ø F	-		1/4 GAS				
Ø G	40			60			
Ø 1	200 ~ 300	300 ~ 400	400 ~ 500	500 ~ 600	600 ~ 700	700 ~ 800	800 ~ 900
Ø 1 PRL 100	300 ~ 400	400 ~ 500	500 ~ 600	600 ~ 700	700 ~ 800	800 ~ 900	900 ~ 1000
Ø 1 PRL 300	400 ~ 600	500 ~ 700	600 ~ 800	700 ~ 900	800 ~ 1000	900 ~ 1100	1000 ~ 1200
Ø 2	202 ~ 302	302 ~ 402	402 ~ 502	502 ~ 602	602 ~ 702	702 ~ 802	802 ~ 902
Ø 2 PRL 100	302 ~ 402	402 ~ 502	502 ~ 602	602 ~ 702	702 ~ 802	802 ~ 902	902 ~ 1002
Ø 2 PRL 300	402 ~ 602	502 ~ 702	602 ~ 802	702 ~ 902	802 ~ 1002	902 ~ 1102	1002 ~ 1202
L	54		61	69	71	74	80
L1 S...90	86		93	101	103	106	112
L1 S...95	94		101	109	111	114	120
L2 PRL 100 S...90	116		123	131	133	136	142
L2 PRL 300 S...90	126		133	141	143	146	152
L2 PRL 100 S...95	124		131	139	141	144	150
L2 PRL 300 S...95	134		141	149	151	154	160
L3 SSQC 90	56.5		63.5	71.5	73.5	76.5	82.5
L4 PRL 100 SSQC 90	86.5		93.5	101.5	103.5	106.5	112.5
L4 PRL 300 SSQC 90	96.5		103.5	111.5	113.5	116.5	122.5

119



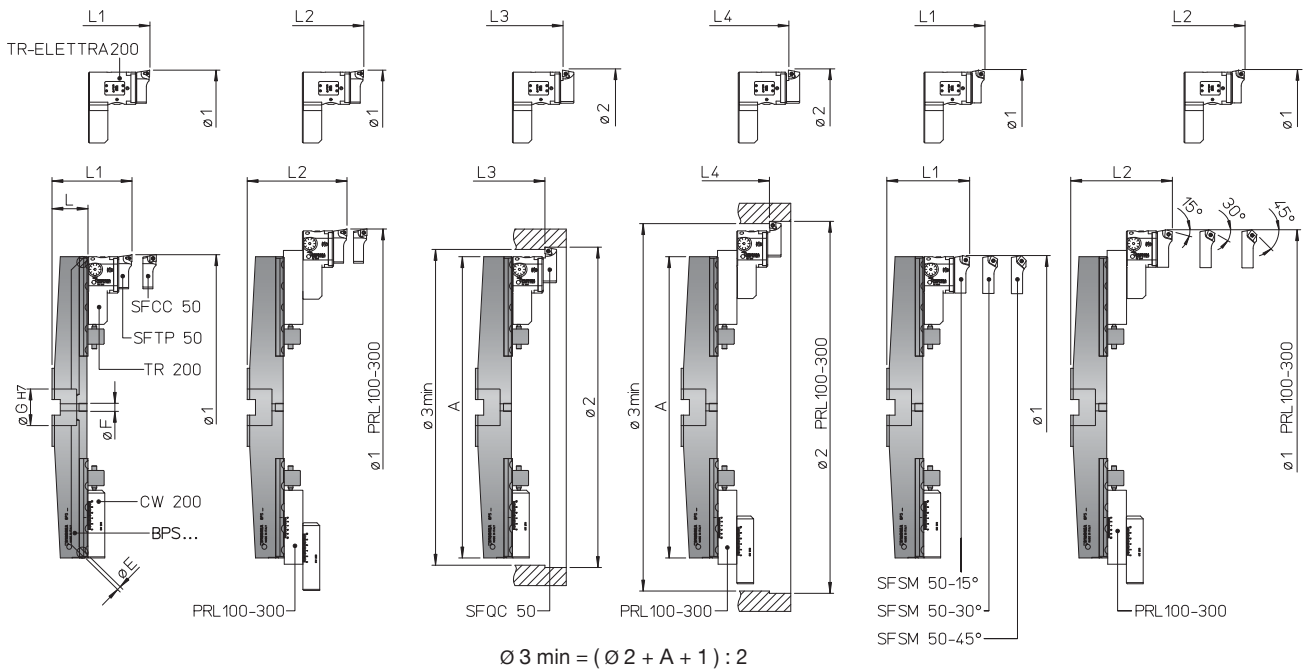
126



116



- DOUBLE-BIT CROSSBARS FOR BIG DIAMETER FINISH
- ДВУХРЕЗЦОВЫЕ РАСТОЧНЫЕ ШТАНГИ ДЛЯ ЧИСТОВОЙ ОБРАБОТКИ БОЛЬШИХ ДИАМЕТРОВ
- WYTACZADŁA WYKOŃCZENIOWE WIELKOŚREDNICOWE
- DVOUHROTOVÉ PŘÍČKY PRO DOKONČENÍ VELKÝCH PRŮMĚRŮ
- BÜYÜK ÇAPLI BITİRME İŞLERİ İÇİN ÇİFT UÇLU ÇAPRAZ KOLLAR



	BPS 200		BPS 300		BPS 400		BPS 500		BPS 600		BPS 700		BPS 800	
A	194		288		394		494		594		694		794	
B	-											128		
Ø D	(4xM12) 66.7						(4xM16) 101.6							
Ø E	2.5				-									
Ø F	-				1/4 GAS									
Ø G	40						60							
Ø 1	200~300	300~400	400 ~ 500		500 ~ 600		600 ~ 700		700 ~ 800		800 ~ 900			
Ø 1 PRL 100	300~400	400~500	500 ~ 600		600 ~ 700		700 ~ 800		800 ~ 900		900 ~ 1000			
Ø 1 PRL 300	400~600	500~700	600 ~ 800		700 ~ 900		800 ~ 1000		900 ~ 1100		1000 ~ 1200			
Ø 2	202~302	302~402	402 ~ 502		502 ~ 602		602 ~ 702		702 ~ 802		802 ~ 902			
Ø 2 PRL 100	302~402	402~502	502 ~ 602		602 ~ 702		702 ~ 802		802 ~ 902		902 ~ 1002			
Ø 2 PRL 300	402~602	502~702	602 ~ 802		702 ~ 902		802 ~ 1002		902 ~ 1102		1002 ~ 1202			
L	54		61		69		71		74		80			
	TR-200	TR-E200	TR-200	TR-E200	TR-200	TR-E200	TR-200	TR-E200	TR-200	TR-E200	TR-200	TR-E200	TR-200	TR-E200
L1	120	147	127	154	135	162	137	164	140	167	146	173		
L2 PRL 100	150	177	157	184	165	192	167	194	170	197	176	203		
L2 PRL 300	160	187	167	194	175	202	177	204	180	207	186	213		
L3	103	130	110	137	118	145	120	147	123	150	129	156		
L4 PRL 100	133	160	140	167	148	175	150	177	153	180	159	186		
L4 PRL 300	143	170	150	177	158	185	160	187	163	190	169	196		



D'ANDREA

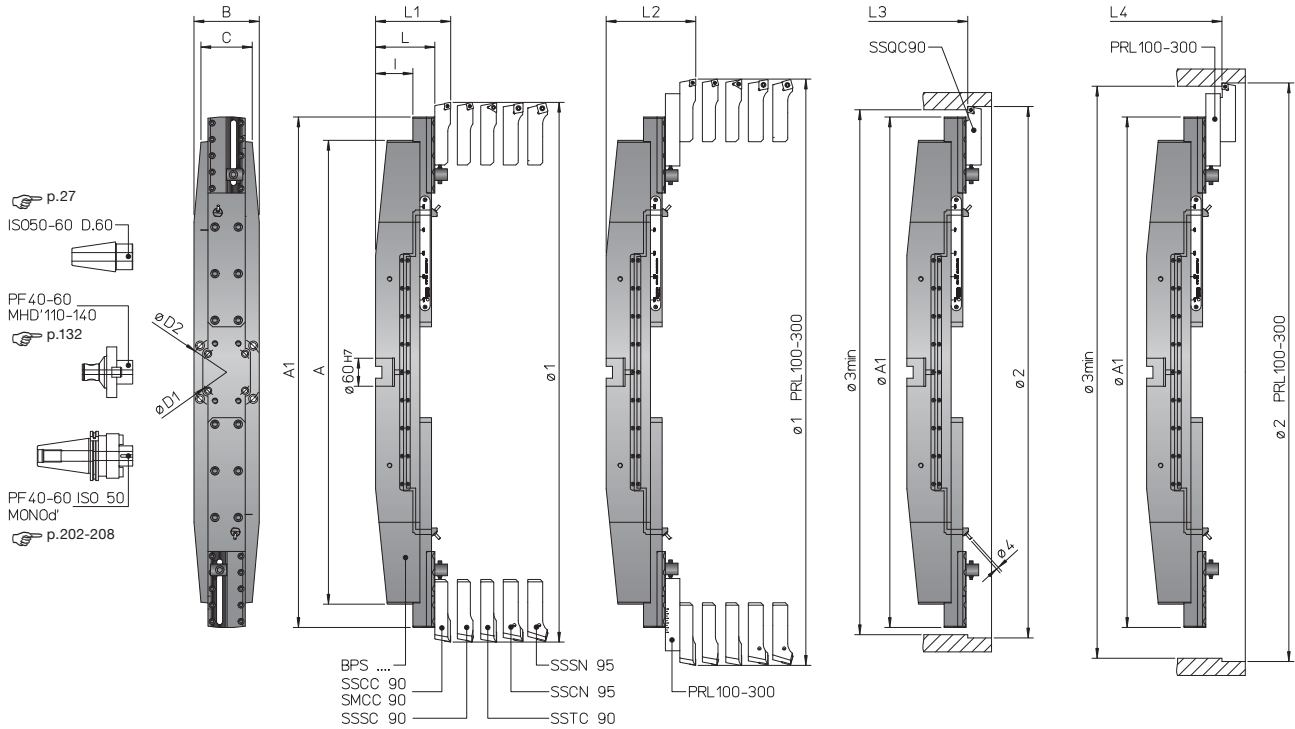
MODULHARD'ANDREA

ALUMINIUM TOOLS LINE

BPS 1000~1600 GD

Ø 1000 ~ 2700

- DOUBLE-BIT BORING CROSSBARS
- ДВУХРЕЗЦОВЫЕ РАСТОЧНЫЕ ШТАНГИ
- WYTACZADŁA DWUNOŻOWE
- DVOUHROTOVÉ PŘÍČKY PRO VYVRTÁVÁNÍ
- DELİK AÇMA İÇİN ÇİFT UÇLU ÇAPRAZ KOLLAR



$$\varnothing 3 \text{ min} = (\varnothing 2 + A1 + 1) : 2$$

	BPS 1000 GD	BPS 1150 GD	BPS 1600 GD
A	995		1595
A1	995 ~ 1395	1495 ~ 1695	1595 ~ 2295
B	140		170
C	110		130
Ø D1	(4xM16) 101.6		
Ø D2	-		(4xM20) 177.8
Ø 1	1000 ~ 1500	1500 ~ 1800	1600 ~ 2400
Ø 1 PRL 100	1100 ~ 1600	1600 ~ 1900	1700 ~ 2500
Ø 1 PRL 300	1200 ~ 1800	1700 ~ 2100	1800 ~ 2700
Ø 2	1002 ~ 1502	1502 ~ 1802	1602 ~ 2402
Ø 2 PRL 100	1102 ~ 1602	1602 ~ 1902	1702 ~ 2502
Ø 2 PRL 300	1202 ~ 1802	1702 ~ 2102	1802 ~ 2702
I	80		105
L	126		151
L1 S...90	158		183
L1 S...95	166		191
L2 PRL 100 S...90	188		213
L2 PRL 300 S...90	198		223
L2 PRL 100 S...95	196		221
L2 PRL 300 S...95	206		231
L3 SSQC 90	128,5		153,5
L4 PRL 100 SSQC 90	158,5		183,5
L4 PRL 300 SSQC 90	168,5		193,5

119



126



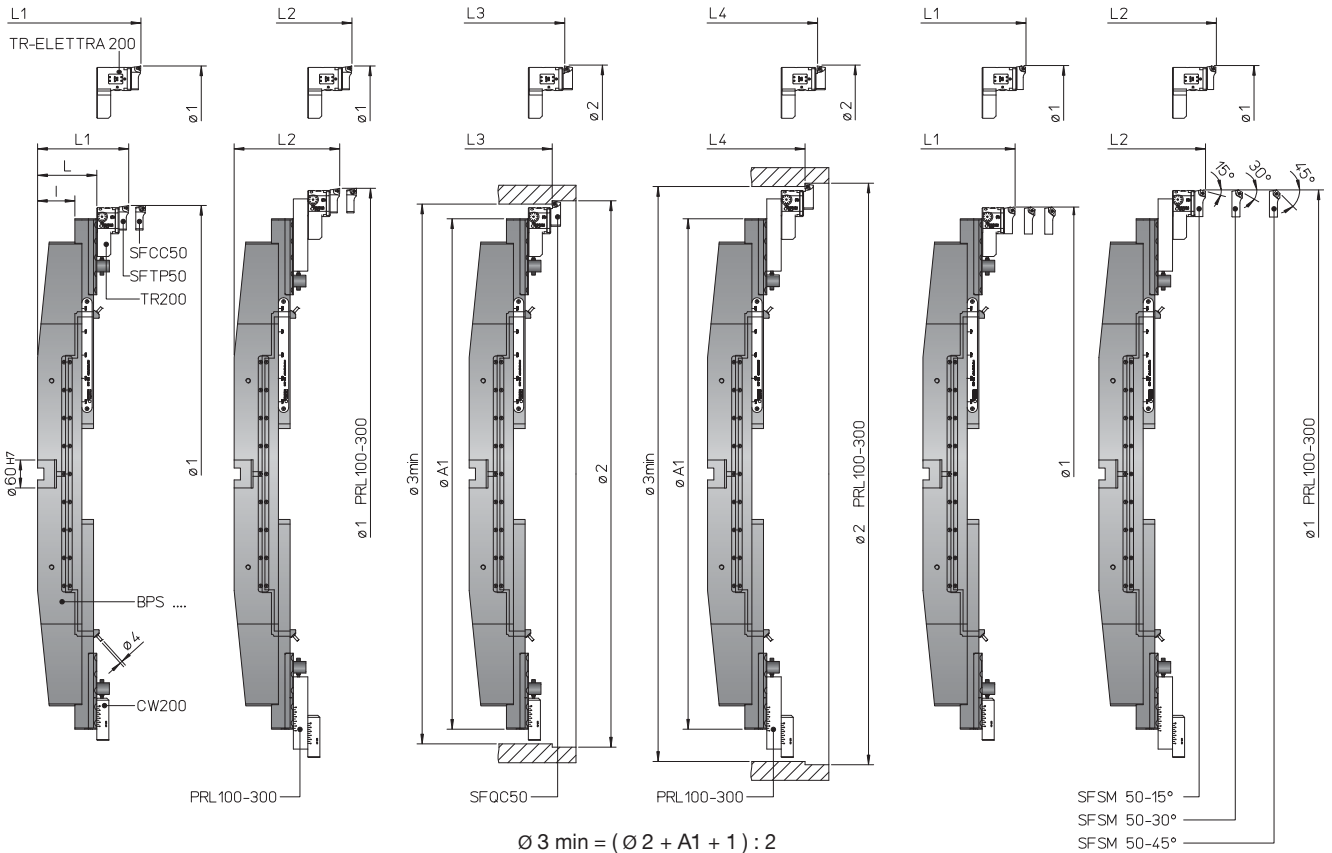
116



BPS 1000~1600 GD

Ø 1000 ~ 2700

- DOUBLE-BIT CROSSBARS FOR BIG DIAMETER FINISH
- ДВУХРЕЗЦОВЫЕ РАСТОЧНЫЕ ШТАНГИ ДЛЯ ЧИСТОВОЙ ОБРАБОТКИ БОЛЬШИХ ДИАМЕТРОВ
- WYTACZADŁA WYKOŃCZENIOWE WIELKOŚREDNICOWE
- DVOUHROTOVÉ PŘÍČKY PRO DOKONČENÍ VELKÝCH PRŮMĚRŮ
- GENİŞ ÇAPLI BITİRME İŞLERİ İÇİN ÇİFT UÇLU ÇAPRAZ KOLLAR



	BPS 1000 GD		BPS 1150 GD		BPS 1600 GD	
A	995				1595	
A1	995 ~ 1395		1495 ~ 1695		1595 ~ 2295	
B	140				170	
C	110				130	
Ø D1	(4xM16) 101.6					
Ø D2	-					
Ø 1	1000 ~ 1500		1500 ~ 1800		1600 ~ 2400	
Ø 1 PRL 100	1100 ~ 1600		1600 ~ 1900		1700 ~ 2500	
Ø 1 PRL 300	1200 ~ 1800		1700 ~ 2100		1800 ~ 2700	
Ø 2	1002 ~ 1502		1502 ~ 1802		1602 ~ 2402	
Ø 2 PRL 100	1102 ~ 1602		1602 ~ 1902		1702 ~ 2502	
Ø 2 PRL 300	1202 ~ 1802		1702 ~ 2102		1802 ~ 2702	
I	80				105	
	TR-200	TR-ELETTRA200	TR-200	TR-ELETTRA200	TR-200	TR-ELETTRA200
L	126	153	126	153	151	178
L1	192	219	192	219	217	244
L2 PRL 100	222	249	222	249	247	274
L2 PRL 300	232	259	232	259	257	284
L3	175	202	175	202	200	227
L4 PRL 100	205	232	205	232	230	257
L4 PRL 300	215	242	215	242	240	267



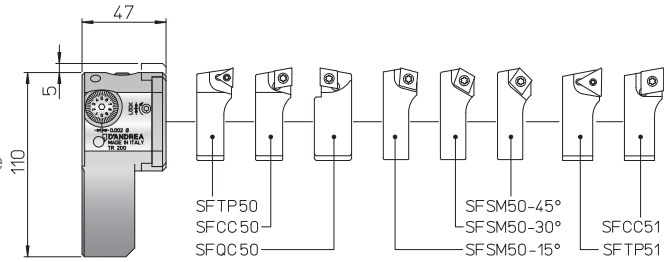
- MICROMETRIC HEAD TR 200 / TR-ELETTRA 200
- МИКРОМЕТРИЧЕСКАЯ ГОЛОВКА TR 200 / TR-ELETTRA 200
- GŁOWICA MIKROMETRYCZNA TR 200 / TR-ELETTRA 200
- MIKROMETRICKÁ HLAVA TR 200 / TR-ELETTRA 200
- MIKROMETRIK KAFA TR 200 / TR-ELETTRA 200

TR 200

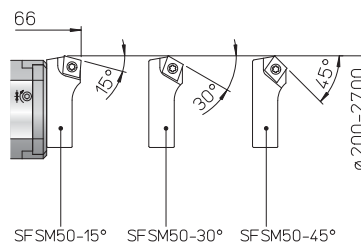
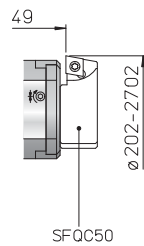
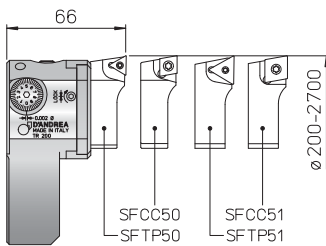


- Body
• Корпус
• Korpus
• Tělo
• Gövde
- Slide toolholder
• Салазки
• Śanie narzędziowe
• Šoupátko nástrojového držáku
• Kayar takim tutucu
- Micrometric vernier scale
• Микрометрический нониус
• Noniusz mikrometryczny
• Mikrometrické měřítko vernie
• Mikrometrik verniye skalasi
- Slide clamp screw
• Зажимные винты салазок
• Śruba blokująca śanie narzędziowe
• Upinací šroub šoupátka
• Sürgülü sikma vidası

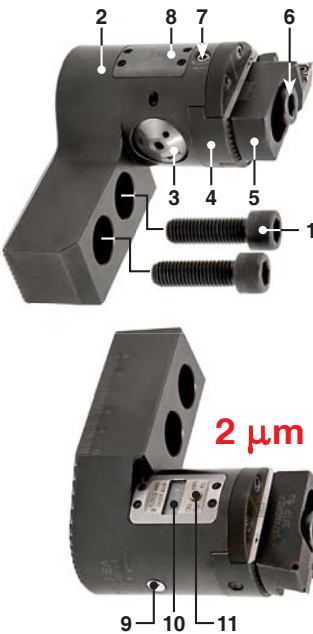
2 µm



REF.	CODE	Kg.
TR 200	455020002000	1.3

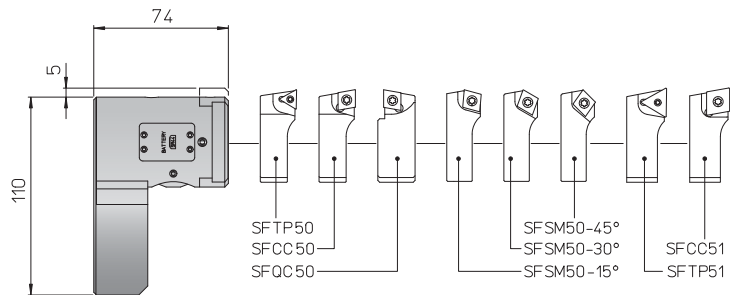


TR-ELETTRA 200

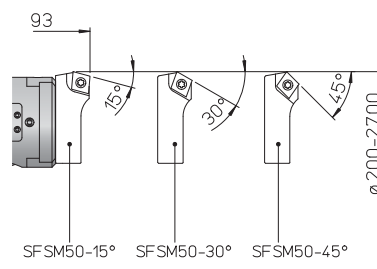
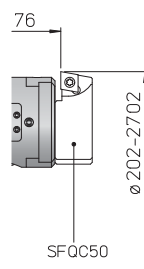
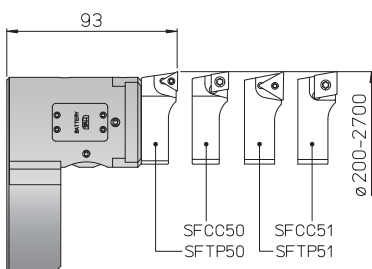


- Lock screw TR-E 200
• Фиксирующий винт
• Śruby mocujące TR-E 200
• Zajišťovací šroub TR-E 200
• Kilit vidası TR-E 200
- Body
• Корпус
• Korpus
• Tělo
• Gövde
- Set screw
• Установочный винт
• Śruba ustawcza
• Nastavovací šroub
• Ayar vidası
- Slide toolholder
• Салазки
• Śanie narzędziowe
• Šoupátko nástrojového držáku
• Kayar takim tutucu
- Bit holders
• Кассета головки
• Wytaczak
• Hrotový držák
• Matkap kovani
- Tool clamp screws
• Зажимные винты инструмента
• Śruba blokująca narzędzie
• Upinací šrouby nástroje
• Takımların sikma vidaları
- Slide clamp screw
• Зажимные винты салазок
• Śruba blokująca śanie narzędziowe
• Upinací šroub šoupátka
• Sürgülü sikma vidası
- Battery compartment cover
• Крышка батарейного отсека
• Osłona baterii
• Kryt prostoru baterie
• Pil bölümü kapağı
- Oiler
• Масленка
• Smarownica
• Olejnička
• Yağlayıcı
- Digital display
• Цифровой дисплей
• Wyświetlacz cyfrowy
• Digitální displej
• Dijital gösterge
- Selection button
• Кнопка выбора
• Przycisk wyboru
• Tlačítko pro výběr
• Seçim düğmesi

2 µm



REF.	CODE	Kg.
TR-ELETTRA 200	455220002000	1.7



119



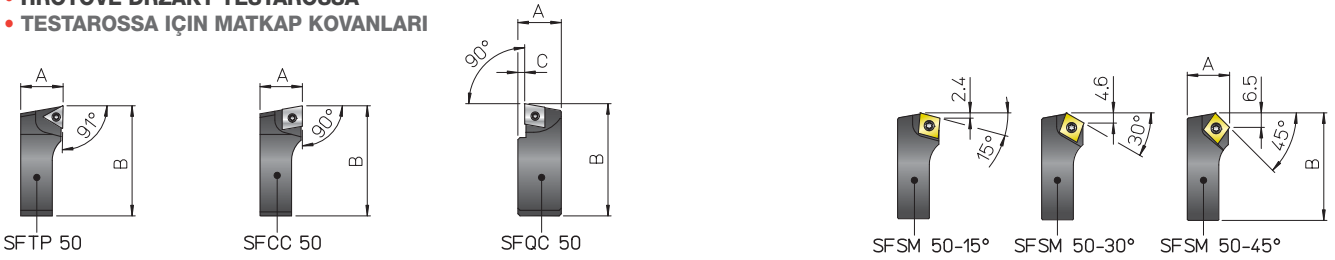
127



116



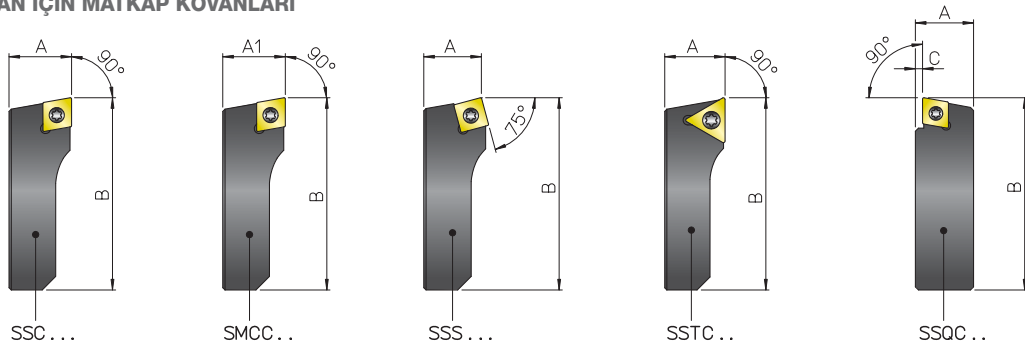
- BIT-HOLDERS FOR TESTAROSSA
- КАССЕТЫ ДЛЯ ГОЛОВКИ TESTAROSSA
- OSTRZA DO GŁOWIC TESTAROSSA
- HROTOVÉ DRŽÁKY TESTAROSSA
- TESTAROSSA İÇİN MATKAP KOVANLARI



REF.	CODE	A	B	C					Kg.
SFTP 50	470500550001	19	52	-	TPGX 1103..	-	CS 300890T	TORX T08	0.08
SFTP 51	470500550003	21	52	-	TCMT 16T3..	-	TS 4	TORX T15	0.09
SFCC 50	470500550002	19	52	-	-	CCGT 09T3..	TS 4	TORX T15	0.08
SFCC 51	470500550004	21	52	-	-	CCMT 1204..	TS 5	TORX T25	0.09
SFQC 50	470500550062	20.5	53	3	-	CCMT 09T3..	TS 4	TORXT15	0.1
SF5M 50-15°	470500550011	19	50.5	-	-	CCMT 09T3..	TS 4	TORXT15	0.07
SF5M 50-30°	470500550013								
SF5M 50-45°	470500550015								

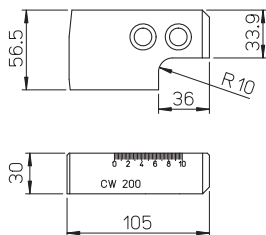
- BIT-HOLDERS FOR DOUBLE-BIT ITEMS
- КАССЕТЫ ДЛЯ ДВУХРЕЗЦОВЫХ ГОЛОВОК
- OSTRZA DO GŁOWIC DWUNOŻOWYCH
- HROTOVÉ DRŽÁKY PRO DVOUHROTOVÉ DÍLY
- ÇİFT UÇLU EKİPMAN İÇİN MATKAP KOVANLARI

SS-SM



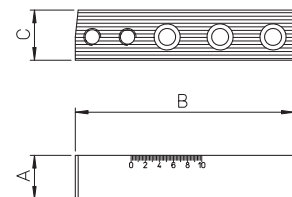
REF.	CODE	A	A1	B	C						Kg.
SSCC 90	470500590201	32	-	130	-	CCMT 1204..	-	-	TS 5	TORX T25	0.7
SSCN 95	470500595201	40	-	130	-	CNM. 1906..	-	-	p.126		0.9
SMCC 90	470500590203	-	31.7	130	-	CCMT 1204..	-	-	TS 5	TORX T25	0.7
SSSC 90	470500590202	32	-	130	-	-	SCMT 1204..	-	TS 5	TORX T25	0.7
SSSN 95	470500595202	40	-	130	-	-	SNM . 1906..	-	p.126		0.9
SSTC 90	470500590206	32	-	130	-	TCMT 2204..	-	-	TS 5	TORX T25	0.7
SSQC 90	470500590261	31.5	-	122	3.5	CCMT 1204..	-	-	TS 5	TORX T25	0.8

CW



REF.	CODE	Kg.
CW 200	392011010501	1.3

PRL

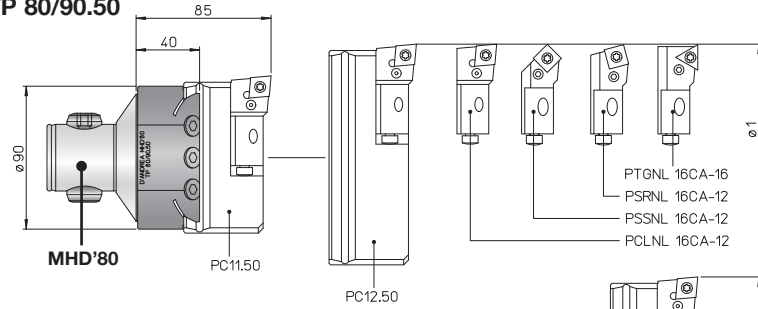
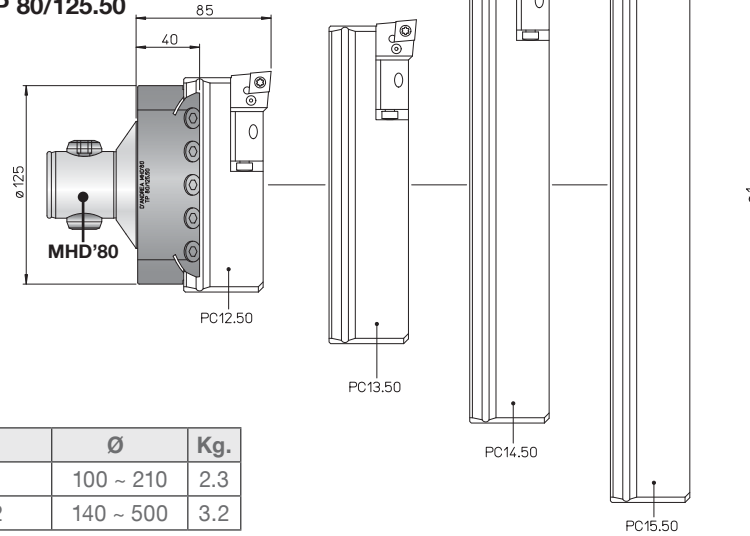


REF.	CODE	A	B	C	Kg.
PRL 100	392011015501	31	155	33.5	1.1
PRL 300	392011030001	41	255	35.5	2.8

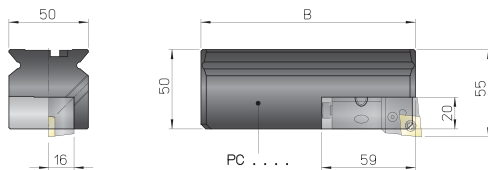


TP Ø 100 ~ 500

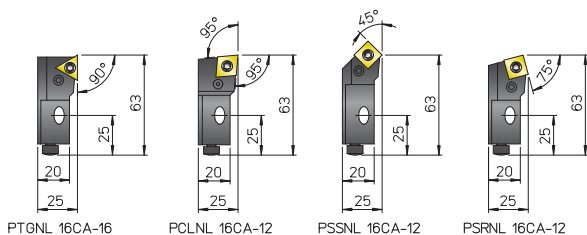
- TOOLHOLDERS
- ДЕРЖАТЕЛИ
- OPRAWKI NARZĘDZIOWE
- NÁSTROJOVÉ DRŽÁKY
- TAKIM TUTUCULAR


TP 80/90.50

TP 80/125.50


REF.	CODE	Ø	Kg.
TP 80/90.50	460408050001	100 ~ 210	2.3
TP 80/125.50	460408050002	140 ~ 500	3.2

PC


REF.	CODE	B	Ø 1 TP80/90.50	Ø 1 TP80/125.50	Kg.
PC 11.50	433050160950	95	100 ~ 140	-	1.3
PC 12.50	433050161350	135	140 ~ 210	140 ~ 210	2
PC 13.50	433050162000	200	-	210 ~ 310	3.2
PC 14.50	433050163000	300	-	310 ~ 410	4.8
PC 15.50	433050164000	400	-	410 ~ 500	6.3

16CA ISO 5611


REF.	CODE	△
PTGNL 16CA-16	483010161001	TNM. 1604..
PCLNL 16CA-12	483010161002	CNM. 1204..
PSSNL 16CA-12	483010161003	SNM. 1204..
PSRNL 16CA-12	483010161004	

• On request • Поставляются по запросу • Na zamówienie • Na vyžádán • İsteğe bağılı

120



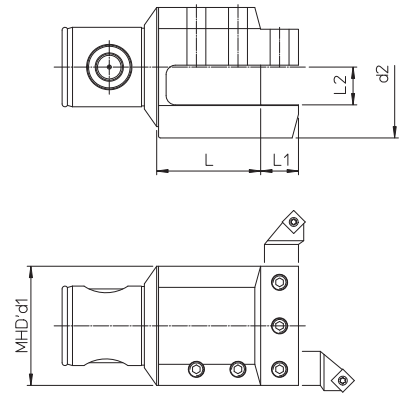
116



- TOOLHOLDERS
- ДЕРЖАТЕЛИ
- OPRAWKI NARZĘDZIOWE
- NÁSTROJOVÉ DRŽÁKY
- TAKIM TUTUCULAR

TU

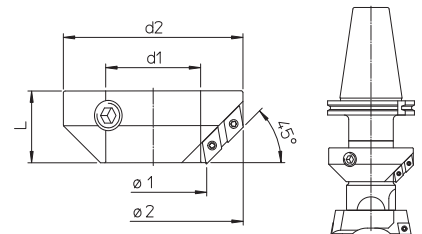
89



REF.	CODE	MHD' d1	d2	L	L1	L2	Kg.
TU 50/60.16	460505016001	50	60	44	16	16	1.2
TU 63/75.20	460506320001	63	75	55	20	20	2.4
TU 80/95.25	460508025001	80	95	65	25	25	3.6
TU 110/110.32	460511032001	110	130	78	32	32	11.2

- CHAMFERING TOOLS
- КОЛЬЦО ДЛЯ СНЯТИЯ ФАСКИ
- PIERŚCIEŃ DO SKOSÓW
- ZKOSENÉ NÁSTROJE
- YIV AÇMA TAKIMLARI

AS.. 45°

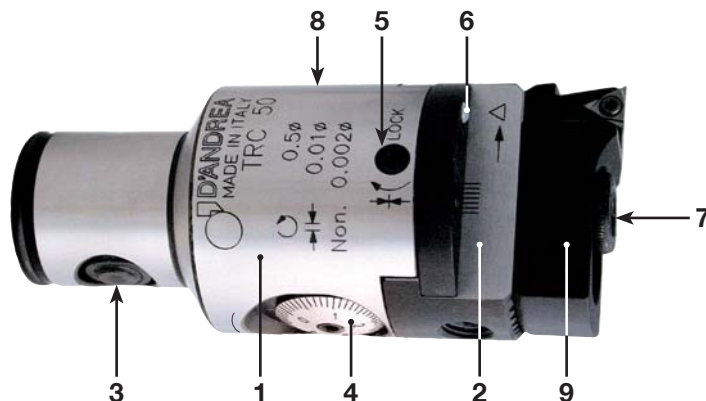


REF.	CODE	Ø1	d1	d2	L				Kg.
AS 16.45	655601600130	18 ~ 28	16	28	13	DCMT 0702..	TS 25	TORX T08	0.035
AS 20.45	655602000150	23 ~ 32	20	32	15				0.045
AS 25.45	655602500180	28 ~ 43	25	43	18				0.1
AS 32.45	655603200220	35 ~ 54	32	54	22				0.2
AS 40.45	655604000300	46 ~ 72	40	72	30	DCMT 11T3..	TS 4	TORX T15	0.5
AS 50.45	655605000380	56 ~ 95	50	95	38				1.1
AS 63.45	655606300460	75 ~ 125	63	125	46	DCMT 1504..	TS 5	TORX 25	2.3
AS 80.45	655608000580	95 ~ 165	80	165	58				5.2

120

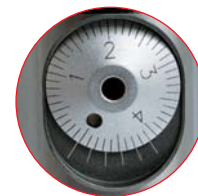


- 1 • Body
• Корпус
• Korpus
• Tělo
• Gövde
- 2 • Slide toolholder
• Салазки
• Sanie narzędziowe
• Nástrojový držák šoupátka
• Kayar takim tutucu
- 3 • Expanding radial pin
• Разжимной радиальный штифт
• Promieniowy sworzeń rozporowy
• Rozšiřující radiální kolík
• Radyal genişletme pimi
- 4 • Vernier scale
• Нониус
• Noniusz
• Měřtko Vernier
• Verniye skalası (taksimati)
- 5 • Slide clamp screw
• Зажимные винты салазок
• Śruba blokująca sanie narzędziowe
• Uprínací šroub šoupátka
• Sürgülü sıkma vidası
- 6 • Coolant outlet
• Выход хладагента
• Wylot cieczy chłodzącej
• Výstup chladicí kapaliny
• Soğutma sıvısı çıkışı



- 7 • Tools clamp screws
• Зажимные винты инструмента
• Śruba blokująca narzędzie
• Uprínací šrouby nástroje
• Takımların sıkma vidaları
- 8 • Oiler
• Масленка
• Smarownica
• Olejnička
• Yağlayıcı
- 9 • Bit holder
• Кассета головки
• Wytaczak
• Hrotový držák
• Matkap kovani

10 µm
nonio
vernier **2 µm**



GB FEATURES. High precision work to IT6 tolerance, with excellent surface finish, is achieved using TRC boring heads. These are very sensitive and radial correction of 5 micron can be effected directly on the machine and easily read on the vernier scale.

RU ХАРАКТЕРИСТИКИ. Головки TRC обеспечивают высокую точность обработки по классу точности IT6 с исключительной чистой поверхности. Они очень чувствительны и радиальная коррекция в 5 микрон может быть осуществлена прямо на станке и легко считана по шкале нониуса.

PL Głowice z serii TRC umożliwiają obróbkę o bardzo wysokiej dokładności w tolerancji IT6 i gwarantują uzyskanie doskonałej jakości powierzchni. Dokładność ustawcza głowic wynosi 5 mikrometrów na promieniu. Wartość ta jest łatwa do odczytania bezpośrednio na noniuszu, co umożliwia dokonywanie regulacji bezpośrednio na obrabiarce.

CZ VLASTNOSTI. Pomocí vyvrtávacích hlav TRC se docílí vysoce přesné obrábění dle tolerance IT6 s vynikající finální úpravou povrchu. Jsou velmi citlivé a radiální korekci 5 mikronů lze provést přímo na stroji a snadno odečíst na měřtku vernier.

TR ÖZELLİKLER. TRC matkap başları kullanılarak IT6 toleransa kadar yüksek hassasiyetli çalışma ve mükemmel yüzey bitirme gerçekleştirilir. Bunlar son derece hassastırlar ve 5 mikron radyal düzeltme doğrudan makine üzerinde gerçekleştirilip verniye skalasında kolayca okunabilir.

TRC 14
Ø 14.5 ~ 18



TRC 16
Ø 18 ~ 24



TRC 20
Ø 22 ~ 30



TRC 25
Ø 28 ~ 40



TRC 32
Ø 35.5 ~ 53.5



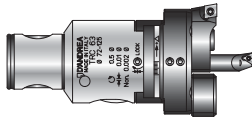
TRC 40
Ø 48 ~ 66



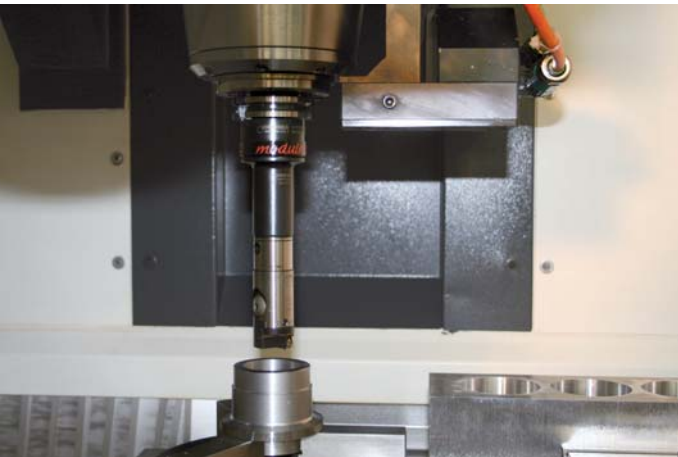
TRC 50
Ø 2.5 ~ 110

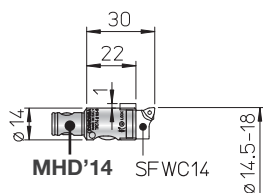
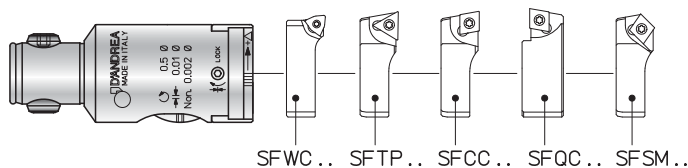


TRC 63
Ø 6 ~ 125

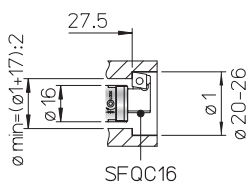
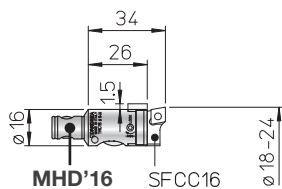


TRC 80
Ø 6 ~ 200

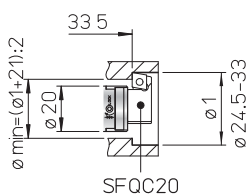
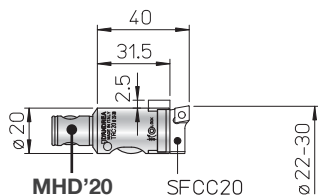




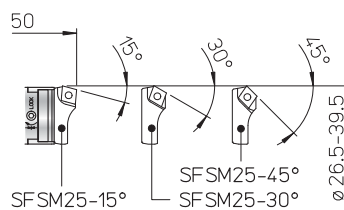
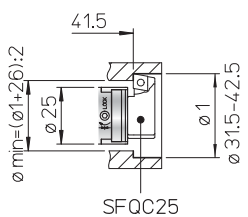
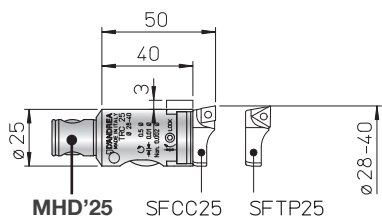
TRC 14
Ø 14.5 ~ 18



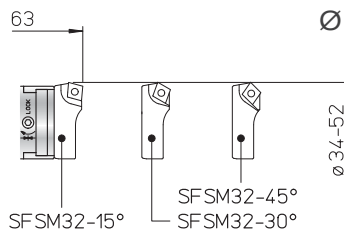
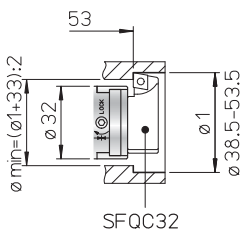
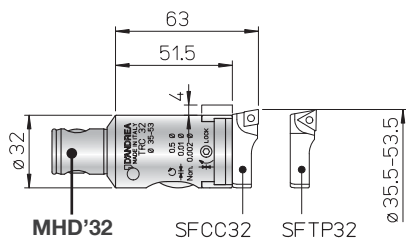
TRC 16
Ø 18 ~ 24



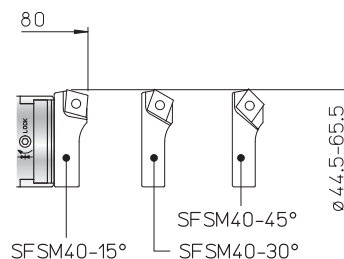
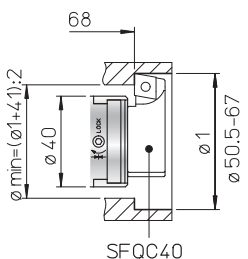
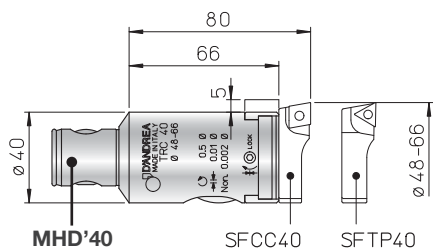
TRC 20
Ø 22 ~ 30



TRC 25
Ø 28 ~ 40



TRC 32
Ø 35.5 ~ 53.5



TRC 40
Ø 48 ~ 66



• TESTAROSSA

TRC

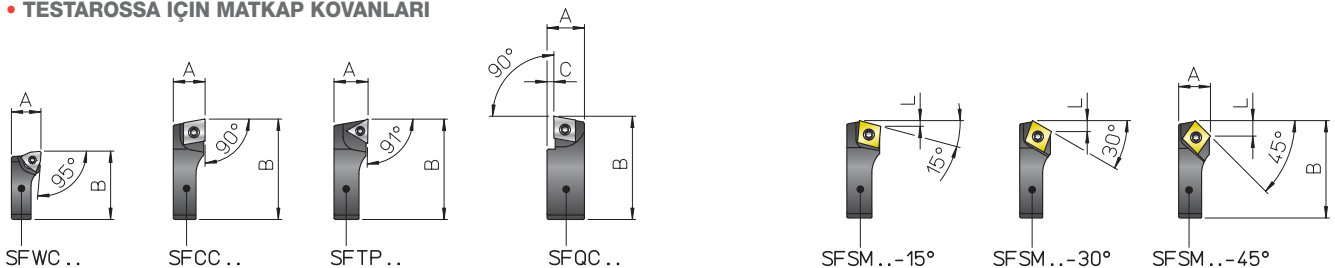


10 µm
nonio
vernier 2 µm

REF.	CODE	Kg.
TRC 14	455011400301	0.02
TRC 16	455011600341	0.05
TRC 20	455012000401	0.1
TRC 25	455012500501	0.2
TRC 32	455013200631	0.35
TRC 40	455014000801	0.7

- BIT-HOLDERS FOR TESTAROSSA
- КАССЕТЫ ДЛЯ ГОЛОВКИ TESTAROSSA
- OSTRZA DO GŁOWIC TESTAROSSA
- HROTOVÉ DRŽÁKY TESTAROSSA
- TESTAROSSA İÇİN MATKAP KOVANLARI

SF



REF.	CODE	A	B	C	L	⊖	⊖	⊖	⊖	⊖	Kg.
SFWC 14	470500514002	8	14	-	-	WCGT 0201..	-	-	TS 211	TORX T06	0.003
SFCC 16	470500516002	8	17	-	-	-	-	-	-	-	0.003
SFCC 20	470500520002	8.5	21	-	-	-	CCGT 0602..	-	TS 25	TORX T08	0.005
SFCC 25	470500525002	10	26.5	-	-	-	-	-	-	-	0.01
SFCC 32	470500532002	11.5	34.5	-	-	-	-	-	-	-	0.02
SFCC 40	470500540002	14	44	-	-	-	CCGT 09T3..	-	TS 4	TORX T15	0.04
SFTP 25	470500525001	10	26.5	-	-	-	-	TPGX 0902..	CS 250T	TORX T08	0.01
SFTP 32	470500532001	11.5	34.5	-	-	-	-	-	-	-	0.02
SFTP 40	470500540001	14	44	-	-	-	-	TPGX 1103..	CS 300890T	-	0.04
SFQC 16	470500516062	10	18	2	-	-	-	-	-	-	0.005
SFQC 20	470500520062	10.5	22.5	2	-	-	-	-	-	-	0.008
SFQC 25	470500525062	12	28.5	2.5	-	-	CCMT 0602..	-	TS 25	TORX T08	0.01
SFQC 32	470500532062	13.5	35.5	2.5	-	-	-	-	-	-	0.03
SFQC 40	470500540062	16.5	46	3	-	-	CCMT 09T3..	-	TS 4	TORXT15	0.06
SFSM 25-15°	470500525011	10	25.5	-	1.6	-	-	-	-	-	-
SFSM 25-30°	470500525013	-	-	-	3	-	-	-	-	-	0.01
SFSM 25-45°	470500525015	-	-	-	4.3	-	-	-	-	-	-
SFSM 32-15°	470500532011	11.5	33.5	-	1.6	-	CCMT 0602..	-	TS 25	TORX T08	-
SFSM 32-30°	470500532013	-	-	-	3	-	-	-	-	-	0.02
SFSM 32-45°	470500532015	-	-	-	4.3	-	-	-	-	-	-
SFSM 40-15°	470500540011	14	42.5	-	2.4	-	-	-	-	-	-
SFSM 40-30°	470500540013	-	-	-	4.6	-	-	-	-	-	-
SFSM 40-45°	470500540015	-	-	-	6.5	-	CCMT 09T3..	-	TS 4	TORXT15	0.03

116

120

119

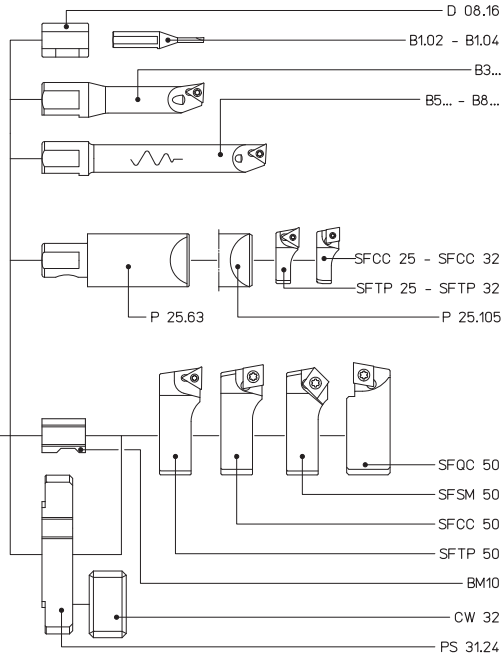
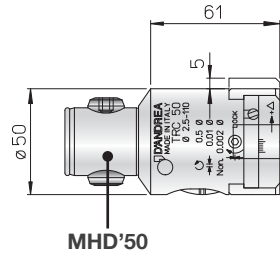


D'ANDREA

MODULHARD'ANDREA



10 μm
nonio
vernier **2 μm**

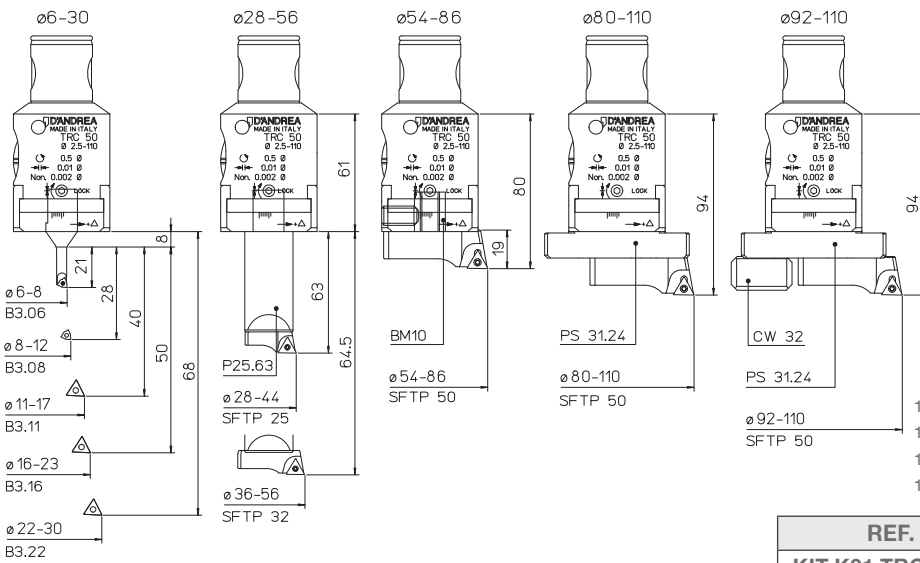


Ø 2.5 ~ 30

Ø 28 ~ 56

Ø 54 ~ 110

REF.	CODE	Kg.
TRC 50	455015000801	1

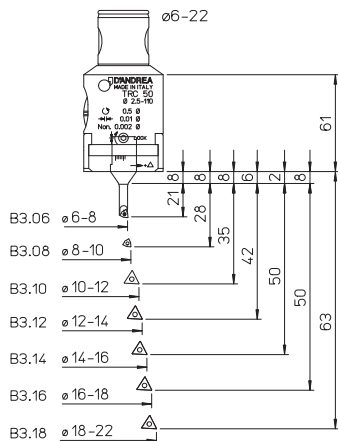


KIT K01
Ø 6 ~ 110



- 1 TRC 50
- 1 P25.63
- 1 BM10
- 1 PS 31.24
- 1 CW 32
- 1 B3.06
- 1 B3.08
- 1 B3.11
- 1 B3.16
- 1 B3.22
- 1 SFTP 25
- 1 SFTP 32
- 1 SFTP 50
- 1 TPGX 090202L DC100
- 1 TPGX 110302L DC100
- 2 WCGT 020102L DC100

REF.	CODE	Ø
KIT K01 TRC 50	655015010502	6 ~ 110



KIT K00
Ø 6 ~ 22



- 1 TRC50
- 1 B3.06
- 1 B3.08
- 1 B3.10
- 1 B3.12
- 1 B3.14
- 1 B3.16
- 1 B3.18
- 5 TPGX 090202L DC100
- 2 WCGT 020102L DC100

REF.	CODE	Ø
KIT K00 TRC 50	655015010500	6 ~ 22

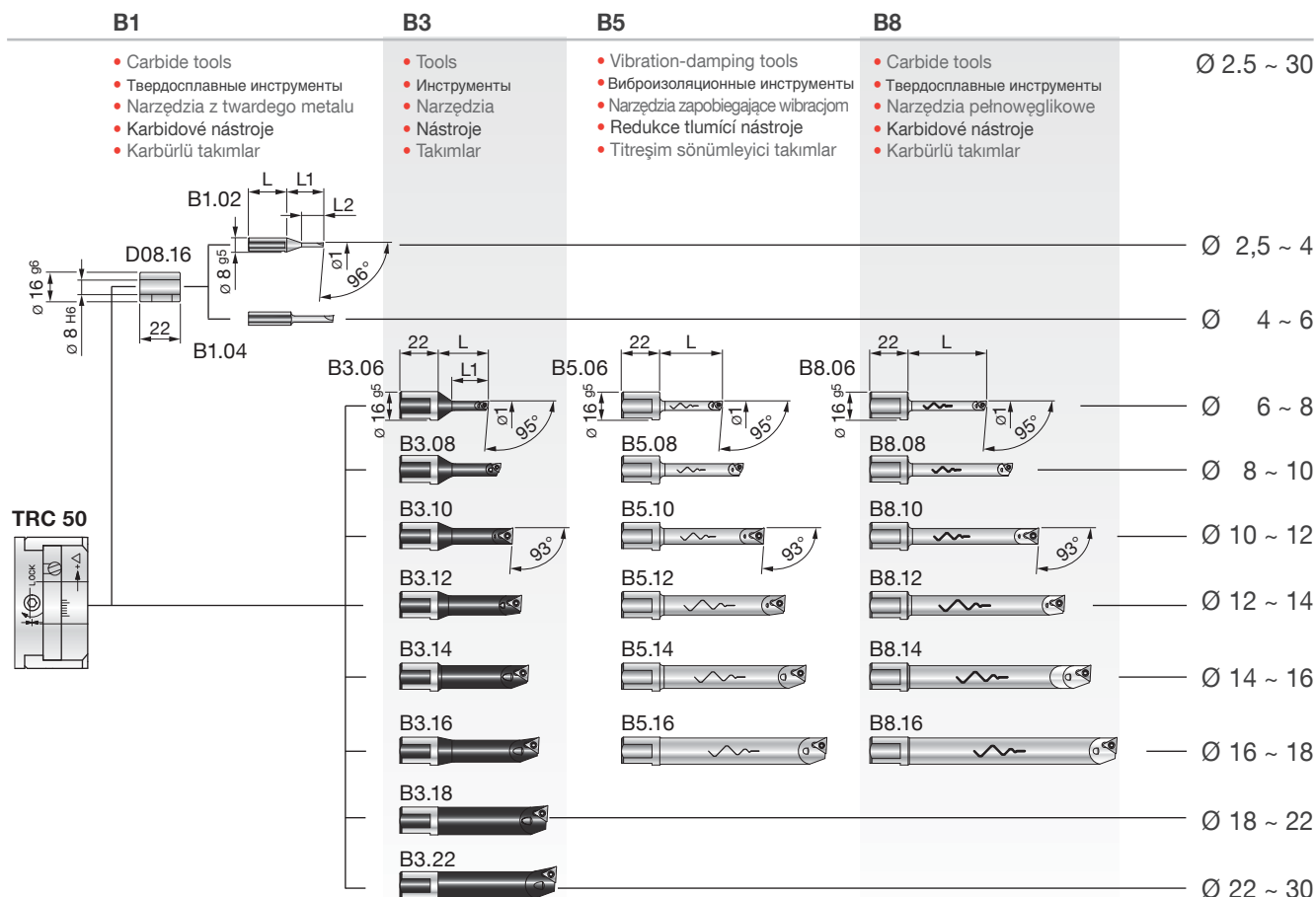
119 INFO

120

116

241





REF.	CODE	Kg.
D08.16	200560116082	0.02

REF.	CODE	Ø1	L	L1	L2	Kg.
B1.02	572010502001	2.5 ~ 4	22	21	12.5	0.02
B1.04	572010504001	4 ~ 6	24	24	-	

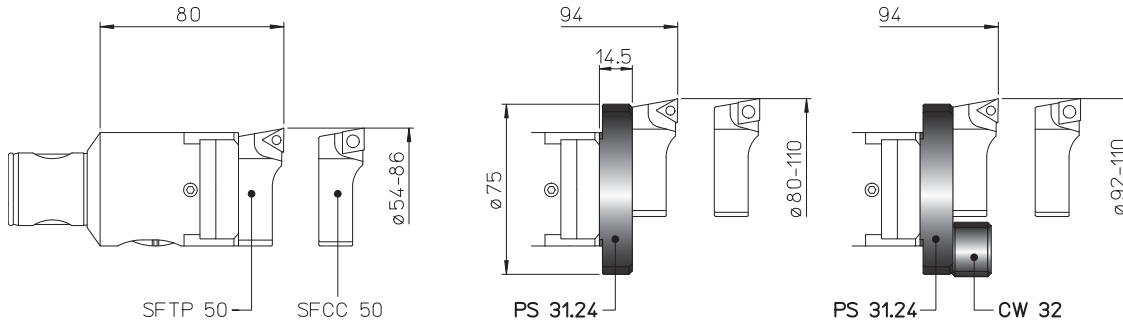
REF.	CODE	Ø1	L	L1	⊖	⊖	⊖	⊖	Kg.
B3.06	572010506001	6 ~ 8	29	21	WCGT 0201..	-	TS 21	TORX T06	0.035
B3.08	572010508001	8 ~ 10	36	28			TS 211		0.04
B3.10	572010510001	10 ~ 12	43	35	-	TPGX 0902..	CS 250 T	TORX T08	0.05
B3.11	572010511001	11 ~ 13	48	40					0.055
B3.12	572010512001	12 ~ 14	42	42					0.06
B3.14	572010514001	14 ~ 16	52	50					0.07
B3.16	572010516001	16 ~ 18	58	-	-	-	-	-	0.1
B3.18	572010518001	18 ~ 22	63	-					
B3.22	572010522001	22 ~ 30	68	-					

B5.06	572010506105	6 ~ 8	36	-	WCGT 0201..	-	TS 21	TORX T06	0.075
B5.08	572010508105	8 ~ 10	48				TS 211		0.09
B5.10	572010510105	10 ~ 12	60	-	-	TPGX 0902..	CS 250 T	TORX T08	0.1
B5.12	572010512105	12 ~ 14	72						0.2
B5.14	572010514105	14 ~ 16	84						0.3
B5.16	572010516105	16 ~ 18	96						0.3

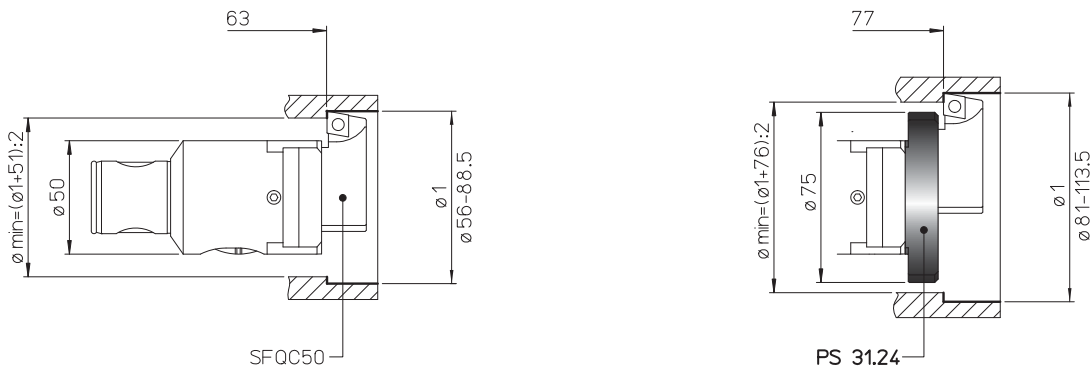
B8.06	572010506108	6 ~ 8	45	-	WCGT 0201..	-	TS 21	TORX T06	0.065
B8.08	572010508108	8 ~ 10	60				TS 211		0.08
B8.10	572010510108	10 ~ 12	75	-	-	TPGX 0902..	CS 250 T	TORX T08	0.1
B8.12	572010512108	12 ~ 14	90						0.2
B8.14	572010514108	14 ~ 16	105						0.3
B8.16	572010516108	16 ~ 18	120						0.3

- TOOLHOLDERS FOR TESTAROSSA
- ДЕРЖАТЕЛИ ДЛЯ ГОЛОВКИ TESTAROSSA
- OPRAWKI NARZĘDZIOWE DO GŁOWIC TESTAROSSA
- NÁSTROJOVÉ DRŽÁKY PRO TESTAROSSA
- TESTAROSSA İÇİN TAKIM TUTUCULAR

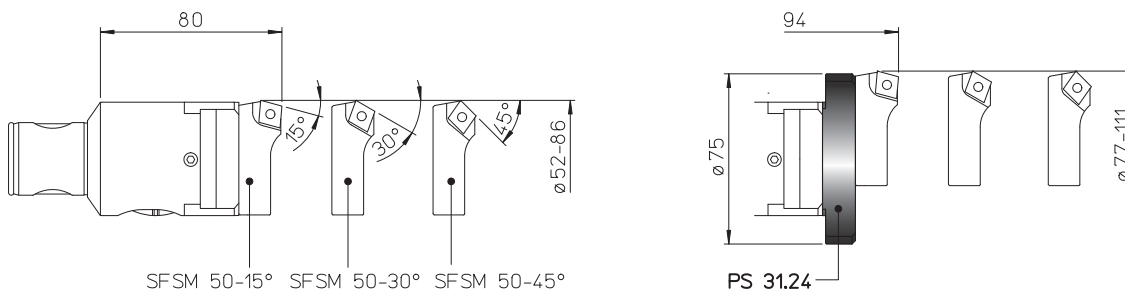
PS 31
CW 32
Ø 54 ~ 110



PS 31
Ø 56 ~ 113.5



PS 31
Ø 52 ~ 111

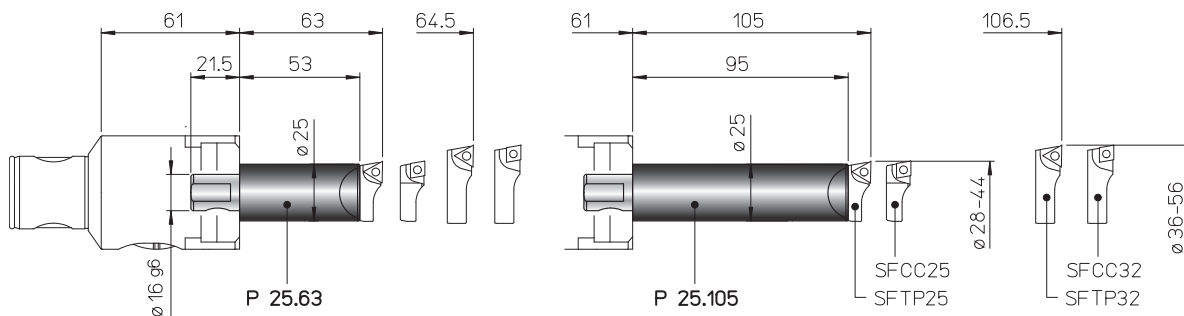


REF.	CODE	Kg.
PS 31.24 TR..50	433024140751	0.19
CW 32	392011003201	0.07



- TOOLHOLDERS FOR TESTAROSSA
- ДЕРЖАТЕЛИ ДЛЯ ГОЛОВКИ TESTAROSSA
- OPRAWKI NARZĘDZIOWE DO GŁOWIC TESTAROSSA
- NÁSTROJOVÉ DRŽÁKY PRO TESTAROSSA
- TESTAROSSA İÇİN TAKIM TUTUCULAR

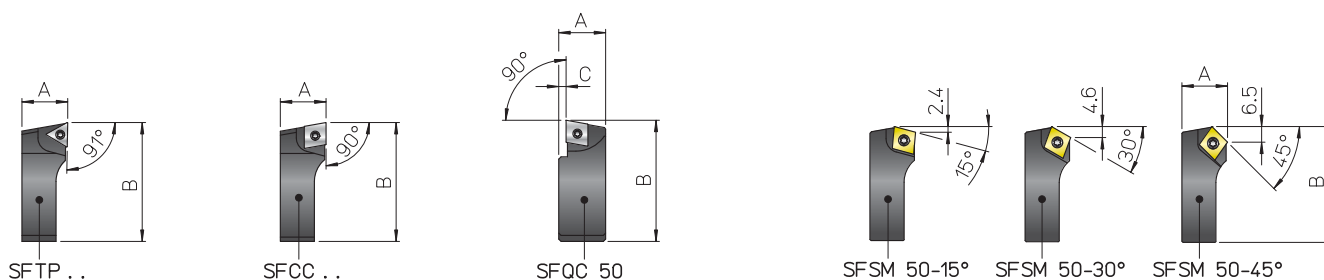
P 25
Ø 28 ~ 56



REF.	CODE	Kg.
P25.63 TR...	435116250631	0.5
P25.105 TR...	435116251051	0.8

- BIT-HOLDERS FOR TESTAROSSA
- КАССЕТЫ ДЛЯ ГОЛОВКИ TESTAROSSA
- OSTRZA DO GŁOWIC TESTAROSSA
- HROTOVÉ DRŽÁKY TESTAROSSA
- TESTAROSSA İÇİN MATKAP KOVANLARI

SF



REF.	CODE	A	B	C	△	□	⌘	⌘	Kg.
SFTP 25	470500525001	10	26.5	-	TPGX 0902..	-	CS 250T	TORX T08	0.01
SFTP 32	470500532001	11.5	34.5	-	-	-	0.02		
SFTP 50	470500550001	19	52	-	TPGX 1103..	-	CS 300890T		0.08
SFCC 25	470500525002	10	26.5	-	-	CCGT 0602..	TS 25	TORX T08	0.01
SFCC 32	470500532002	11.5	34.5	-	-	-	-		0.02
SFCC 50	470500550002	19	52	-	-	CCGT 09T3..	TS 4		TORX T15
SFQC 50	470500550062	20.5	53	3	-	CCMT 09T3..	TS 4	TORXT15	0.1
SFSM 50-15°	470500550011	19	50.5	-	-	CCMT 09T3..	TS 4	TORXT15	0.07
SFSM 50-30°	470500550013								
SFSM 50-45°	470500550015								

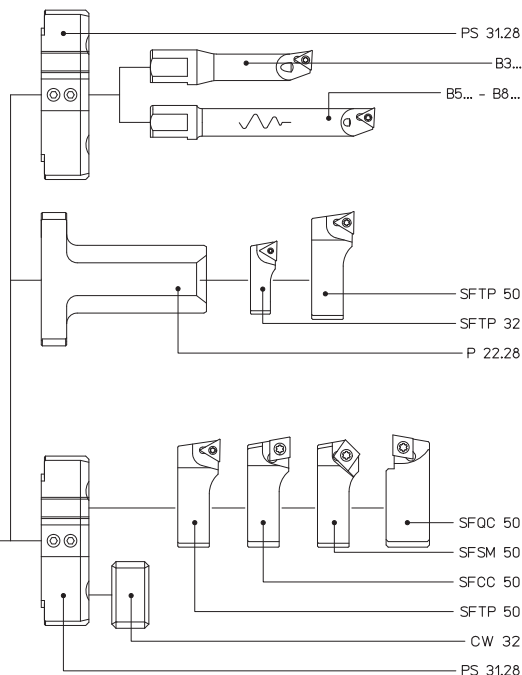
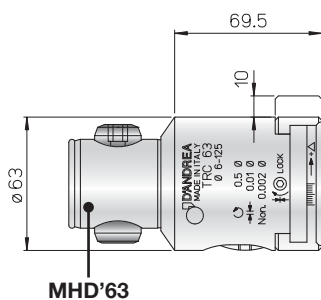
D'ANDREA MODULHARD'ANDREA

TRC 63 Ø 6 ~ 125

• TESTAROSSA



10 μm
nonio
vernier **2 μm**



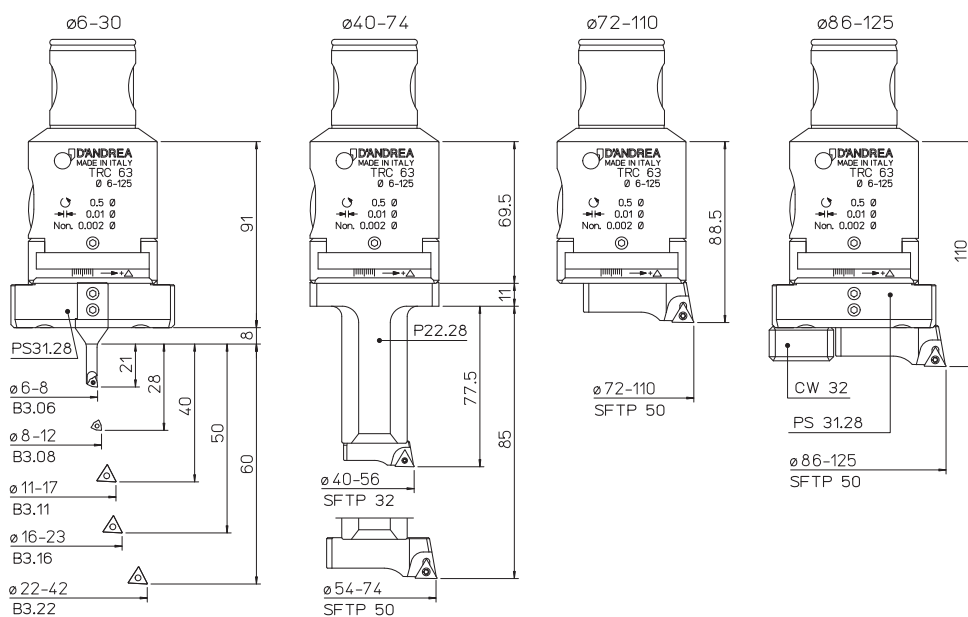
Ø 6 ~ 42

Ø 40 ~ 74

Ø 72 ~ 125

REF.	CODE	Kg.
TRC 63	455016301001	2

KIT K01
Ø 6 ~ 125



- 1 TRC 63
- 1 PS31.28
- 1 CW 32
- 1 P22.28
- 1 B3.06
- 5 TPGX 090202L DC100
- 1 TPGX 110302L DC100
- 2 WCGT 020102L DC100
- 1 B3.08
- 1 B3.11
- 1 B3.16
- 1 B3.22
- 1 SFTP32
- 1 SFTP50

REF.	CODE	Ø
KIT K01 TRC 63	655016310632	6 ~ 125

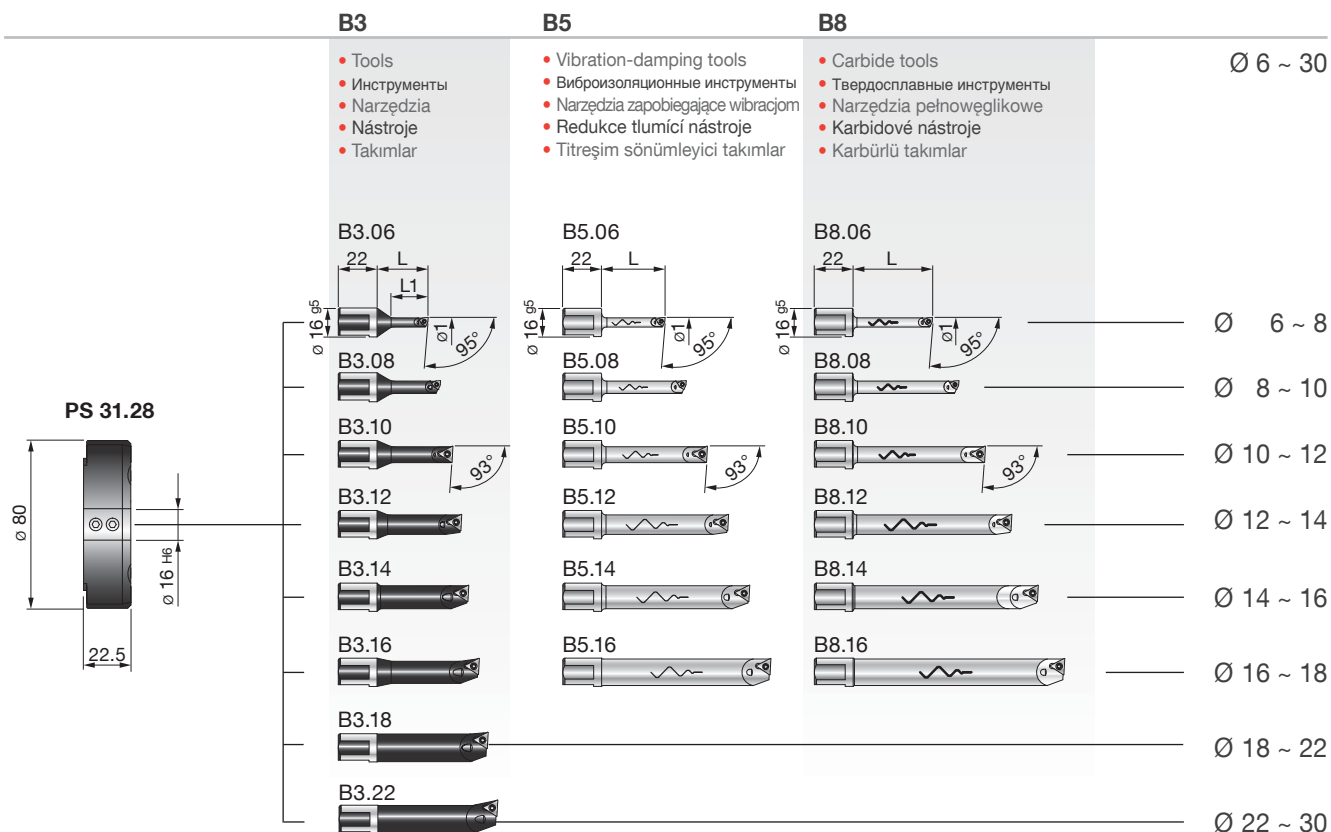
119 INFO

120

116

241





REF.	CODE	Kg.
PS 31.28 TRC 63	433028220801	0.3

REF.	CODE	Ø1	L	L1	⚠	⚠	🔧	🔧	Kg.
B3.06	572010506001	6 ~ 8	29	21	WCGT 0201..	-	TS 21	TORX T06	0.035
B3.08	572010508001	8 ~ 10	36	28			TS 211		0.04
B3.10	572010510001	10 ~ 12	43	35	-	TPGX 0902..	CS 250 T	TORX T08	0.05
B3.11	572010511001	11 ~ 13	48	40					0.055
B3.12	572010512001	12 ~ 14	48	42					0.06
B3.14	572010514001	14 ~ 16	52	50	-	TPGX 0902..	CS 250 T	TORX T08	0.07
B3.16	572010516001	16 ~ 18	58	50					0.07
B3.18	572010518001	18 ~ 22	63	-					0.1
B3.22	572010522001	22 ~ 30	68	-	-	-	-	-	0.1

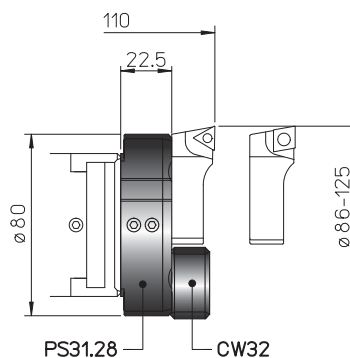
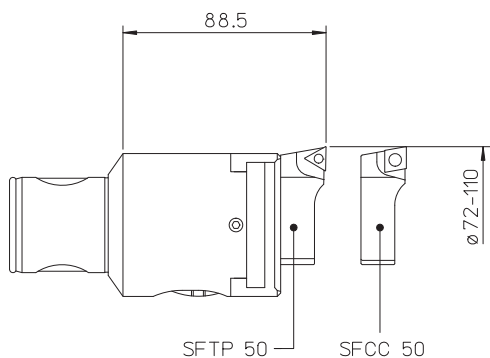
B5.06	572010506105	6 ~ 8	36	-	WCGT 0201..	-	TS 21	TORX T06	0.075
B5.08	572010508105	8 ~ 10	48				TS 211		0.09
B5.10	572010510105	10 ~ 12	60	-	TPGX 0902..	CS 250 T	TORX T08	0.1	
B5.12	572010512105	12 ~ 14	72					0.2	
B5.14	572010514105	14 ~ 16	84					0.2	
B5.16	572010516105	16 ~ 18	96	-	-	-	-	-	0.3

B8.06	572010506108	6 ~ 8	45	-	WCGT 0201..	-	TS 21	TORX T06	0.065
B8.08	572010508108	8 ~ 10	60				TS 211		0.08
B8.10	572010510108	10 ~ 12	75	-	TPGX 0902..	CS 250 T	TORX T08	0.1	
B8.12	572010512108	12 ~ 14	90					0.2	
B8.14	572010514108	14 ~ 16	105					0.2	
B8.16	572010516108	16 ~ 18	120	-	-	-	-	-	0.3

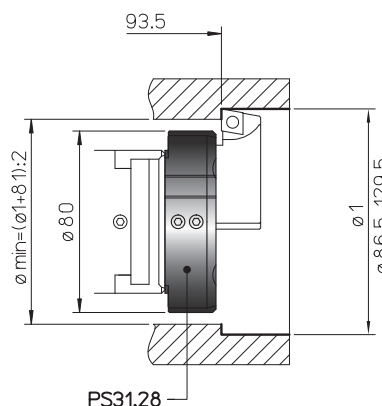
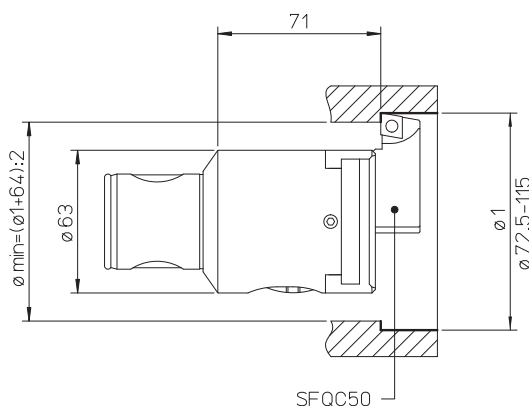


- TOOLHOLDERS FOR TESTAROSSA
- ДЕРЖАТЕЛИ ДЛЯ ГОЛОВКИ TESTAROSSA
- OPRAWKI NARZĘDZIOWE DO ŁÓWIC TESTAROSSA
- NÁSTROJOVÉ DRŽÁKY PRO TESTAROSSA
- TESTAROSSA İÇİN TAKIM TUTUCULAR

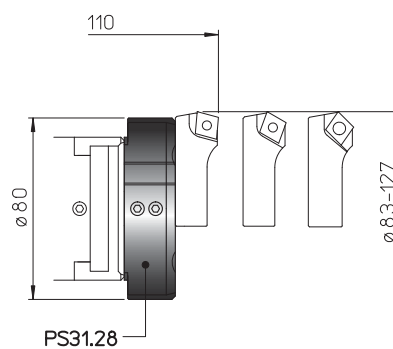
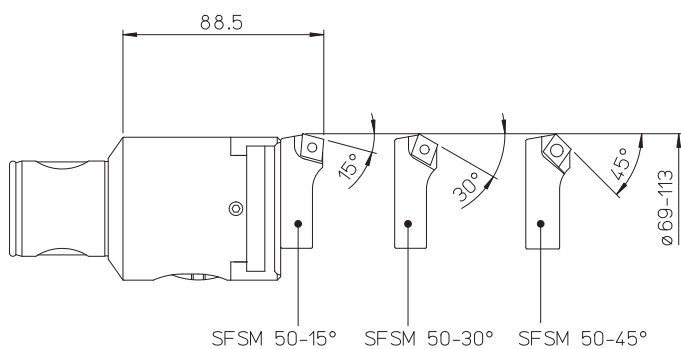
PS 31
CW 32
Ø 72~125



PS 31
Ø 72.5 ~ 129.5



PS 31
Ø 69 ~ 127

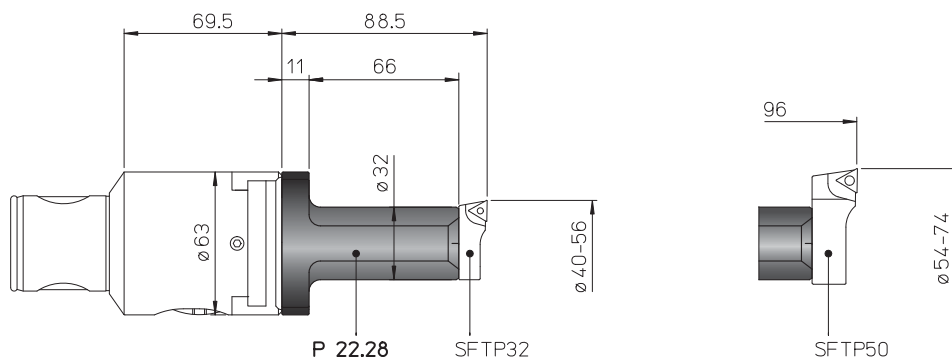


REF.	CODE	Kg.
PS 31.28 TRC 63	433028220801	0.3
CW 32	392011003201	0.07



- TOOLHOLDERS FOR TESTAROSSA
- ДЕРЖАТЕЛИ ДЛЯ ГОЛОВКИ TESTAROSSA
- OPRAWKI NARZĘDZIOWE DO GŁOWIC TESTAROSSA
- NÁSTROJOVÉ DRŽÁKY PRO TESTAROSSA
- TESTAROSSA İÇİN TAKIM TUTUCULAR

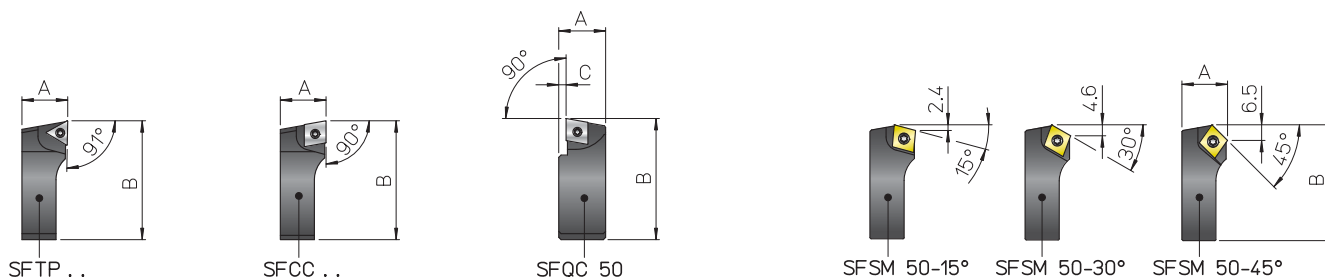
P 22
Ø 40 ~ 74



REF.	CODE	Ø
P 22.28	433028220631	0.45

- BIT-HOLDERS FOR TESTAROSSA
- КАССЕТЫ ДЛЯ ГОЛОВКИ TESTAROSSA
- OSTRZA DO GŁOWIC TESTAROSSA
- HROTOVÉ DRŽÁKY TESTAROSSA
- TESTAROSSA İÇİN MATKAP KOVANLARI

SF



REF.	CODE	A	B	C	△	□	⌘	⌘	Kg.
SFTP 32	470500532001	11.5	34.5	-	TPGX 0902..	-	CS 250T	TORX T08	0.02
SFTP 50	470500550001	19	52	-	TPGX 1103..	-	CS 300890T		0.08
SFCC 50	470500550002	19	52	-	-	CCGT 09T3..	TS 4	TORX T15	0.08
SFQC 50	470500550062	20.5	53	3	-	CCMT 09T3..	TS 4	TORXT15	0.1
SFSM 50-15°	470500550011	19	50.5	-	-	CCMT 09T3..	TS 4	TORXT15	0.07
SFSM 50-30°	470500550013								
SFSM 50-45°	470500550015								

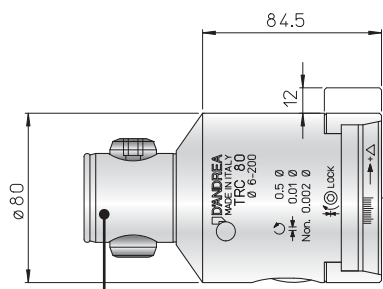
D'ANDREA MODULHARD'ANDREA

TRC 80 Ø 6 ~ 200

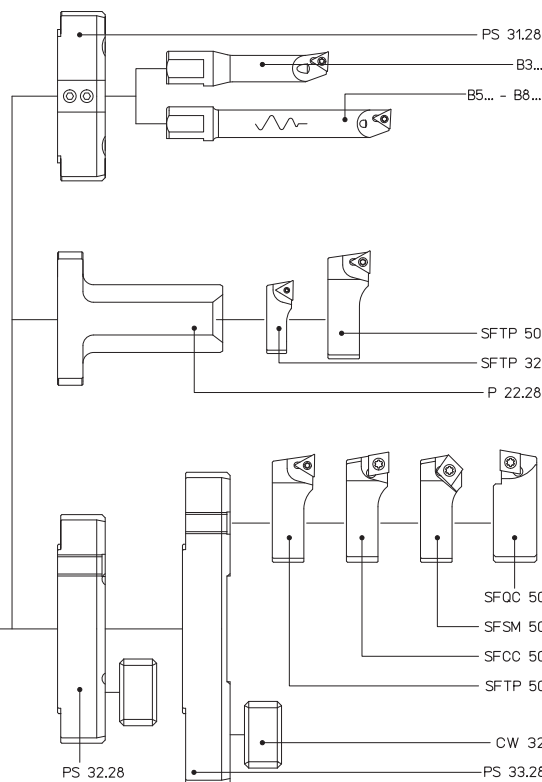
• TESTAROSSA

10 µm

nonio
vernier **2 µm**



MHD'80



Ø 6 ~ 42

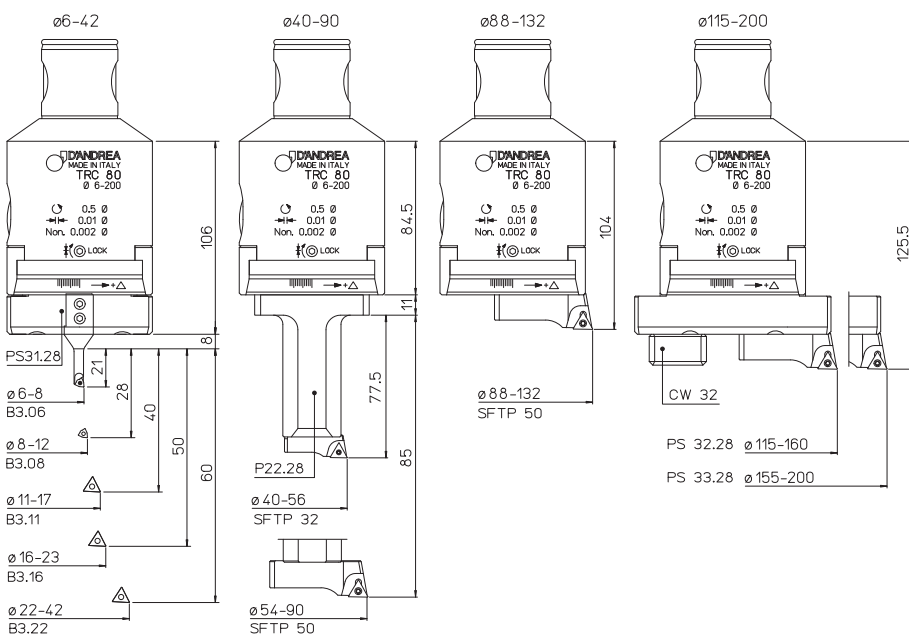
Ø 40 ~ 90

Ø 88 ~ 200

REF.	CODE	Kg.
TRC 80	455018001201	3.8

KIT K01

Ø 6 ~ 200



- 1 TRC 80
- 1 PS31.28
- 1 PS32.28
- 1 PS33.28
- 1 CW 32
- 1 P22.28
- 5 TPGX 090202L DC100
- 1 TPGX 110302L DC100
- 2 WCGT 020102L DC100
- 1 B3.06
- 1 B3.08
- 1 B3.11
- 1 B3.16
- 1 B3.22
- 1 SFTP32
- 1 SFTP50

REF.	CODE	Ø
KIT K01 TRC 80	655018010802	6 ~ 200

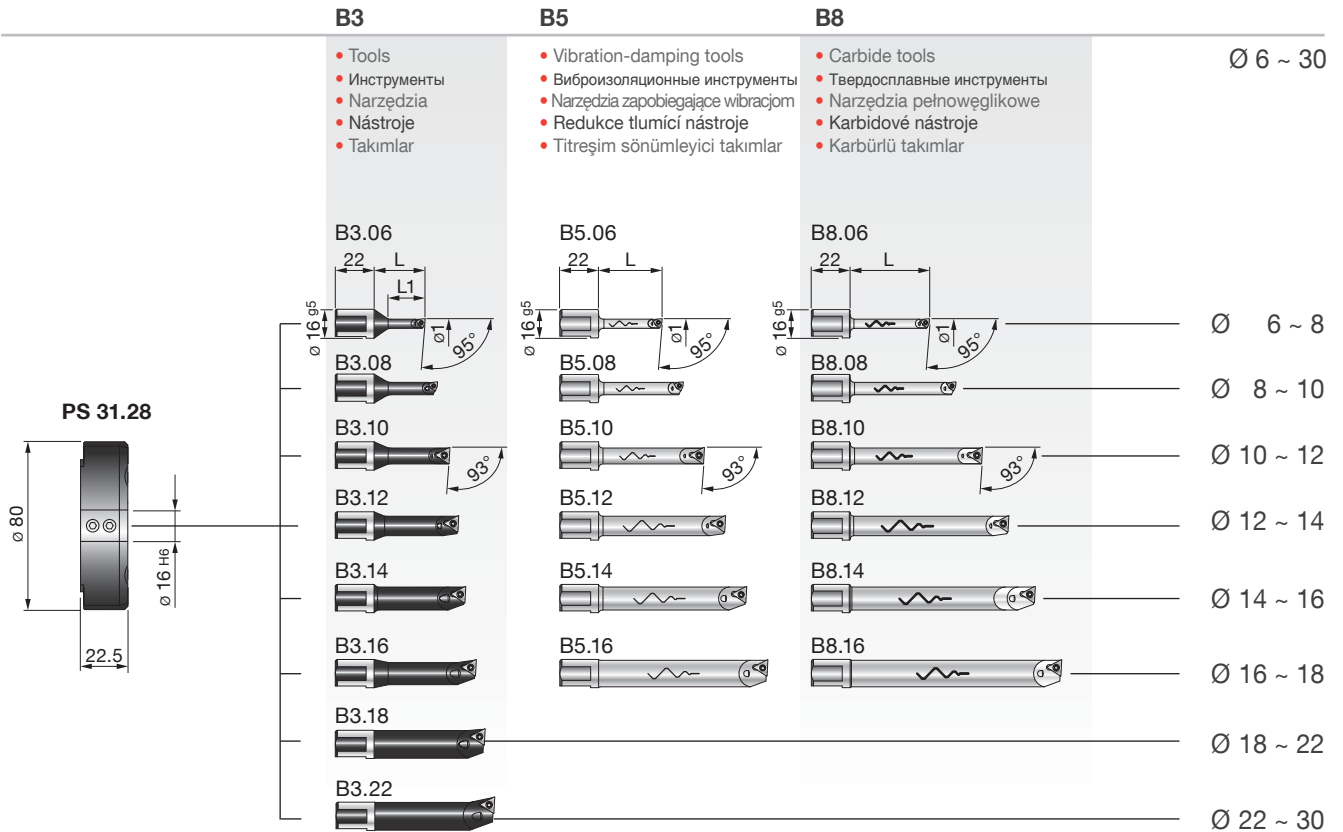
119 INFO

120

116

241





REF.	CODE	Kg.
PS 31.28 TRC 80	433028220801	0.3

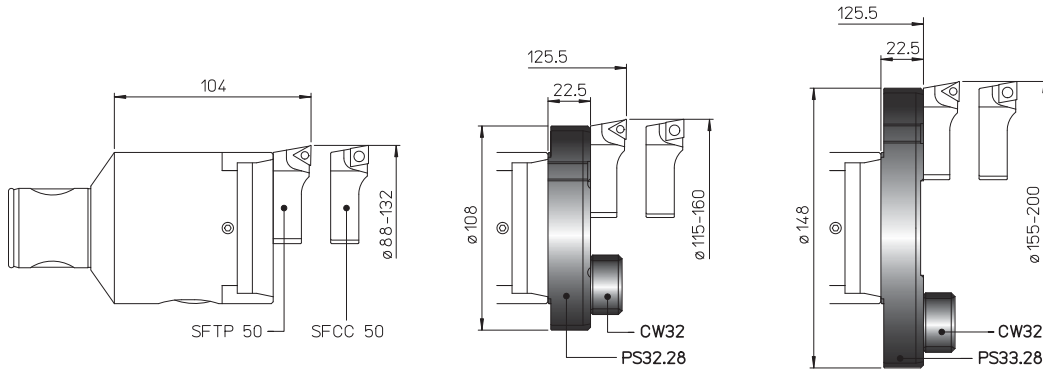
REF.	CODE	Ø1	L	L1	⚠	⚠	🔧	🔧	Kg.
B3.06	572010506001	6 ~ 8	29	21	WCGT 0201..	-	TS 21	TORX T06	0.035
B3.08	572010508001	8 ~ 10	36	28			TS 211		0.04
B3.10	572010510001	10 ~ 12	43	35	-	TPGX 0902..	CS 250 T	TORX T08	0.05
B3.11	572010511001	11 ~ 13	48	40					0.055
B3.12	572010512001	12 ~ 14	48	42					0.06
B3.14	572010514001	14 ~ 16	52	50					0.07
B3.16	572010516001	16 ~ 18	58	50	-	TPGX 0902..	CS 250 T	TORX T08	0.07
B3.18	572010518001	18 ~ 22	63	-					0.1
B3.22	572010522001	22 ~ 30	68	-					0.1
B5.06	572010506105	6 ~ 8	36	-	WCGT 0201..	-	TS 21	TORX T06	0.075
B5.08	572010508105	8 ~ 10	48				28		TS 211
B5.10	572010510105	10 ~ 12	60	-	-	TPGX 0902..	CS 250 T	TORX T08	0.1
B5.12	572010512105	12 ~ 14	72	42					0.2
B5.14	572010514105	14 ~ 16	84	50					0.2
B5.16	572010516105	16 ~ 18	96	50					0.3
B8.06	572010506108	6 ~ 8	45	-	WCGT 0201..	-	TS 21	TORX T06	0.065
B8.08	572010508108	8 ~ 10	60				28		TS 211
B8.10	572010510108	10 ~ 12	75	-	-	TPGX 0902..	CS 250 T	TORX T08	0.1
B8.12	572010512108	12 ~ 14	90	42					0.2
B8.14	572010514108	14 ~ 16	105	50					0.2
B8.16	572010516108	16 ~ 18	120	50					0.3



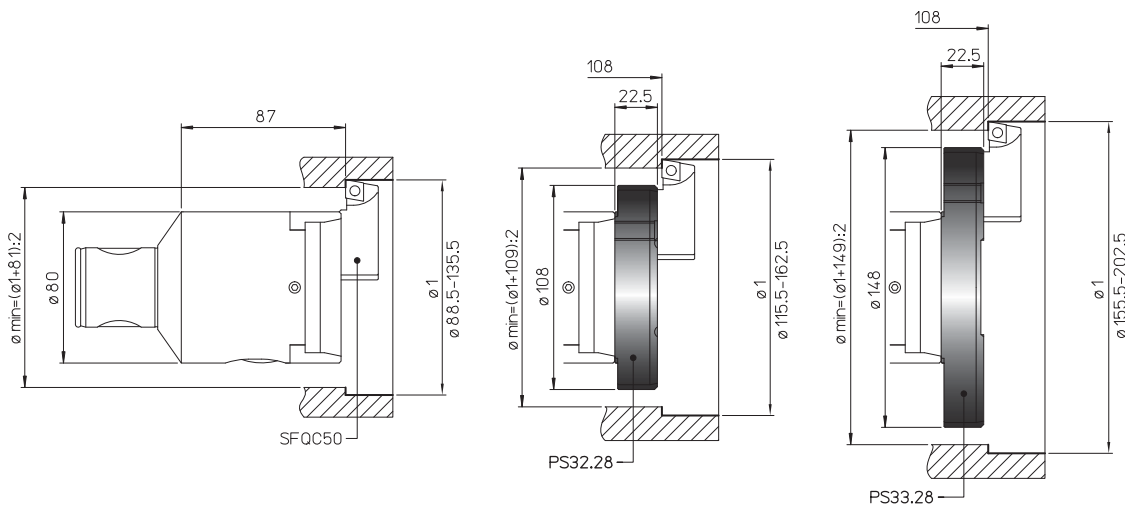
TRC 80 Ø 85 ~ 202.5

- TOOLHOLDERS FOR TESTAROSSA
- ДЕРЖАТЕЛИ ДЛЯ ГОЛОВКИ TESTAROSSA
- OPRAWKI NARZĘDZIOWE DO GŁOWIC TESTAROSSA
- NÁSTROJOVÉ DRŽÁKY PRO TESTAROSSA
- TESTAROSSA İÇİN TAKIM TUTUCULAR

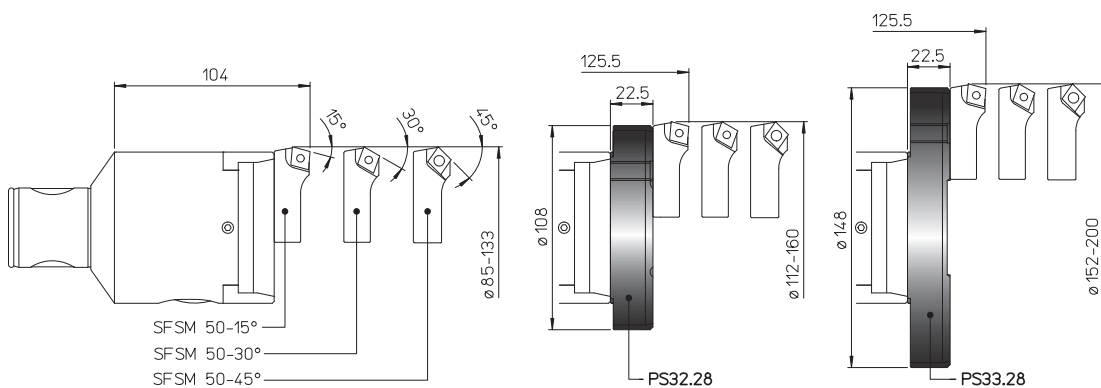
PS
CW 32
Ø 88~ 200



PS
Ø 88.5 ~ 202.5



PS
Ø 85 ~ 200

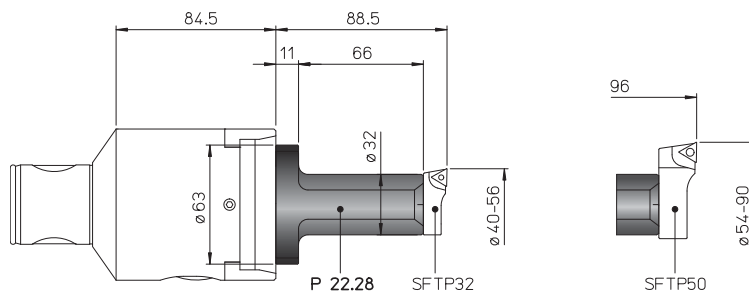


REF.	CODE	Kg.
PS 32.28 TRC 80	433028221081	0.5
PS 33.28 TRC 80	433028221481	0.6
CW 32	392011003201	0.07



- TOOLHOLDERS FOR TESTAROSSA
- ДЕРЖАТЕЛИ ДЛЯ ГОЛОВКИ TESTAROSSA
- OPRAWKI NARZĘDZIOWE DO GŁOWIC TESTAROSSA
- NÁSTROJOVÉ DRŽÁKY PRO TESTAROSSA
- TESTAROSSA İÇİN TAKIM TUTUCULAR

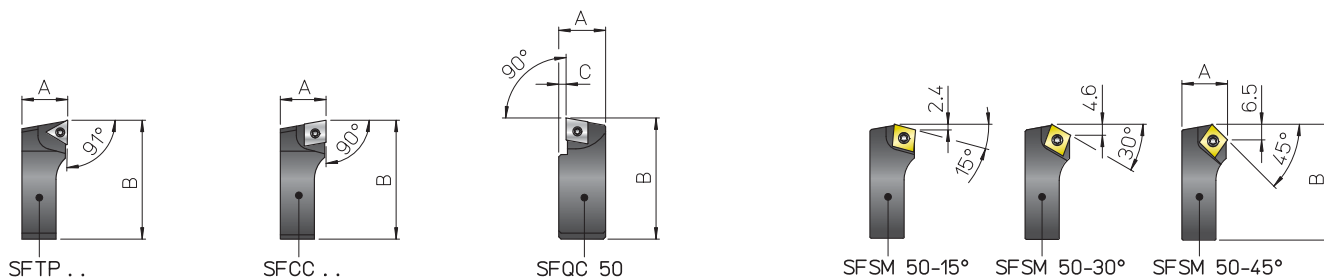
P 22
Ø 40 ~ 90



REF.	CODE	Kg.
P 22.28	433028220631	0.45

- BIT-HOLDERS FOR TESTAROSSA
- КАССЕТЫ ДЛЯ ГОЛОВКИ TESTAROSSA
- OSTRZA DO GŁOWIC TESTAROSSA
- HROTOVÉ DRŽÁKY TESTAROSSA
- TESTAROSSA İÇİN MATKAP KOVANLARI

SF



REF.	CODE	A	B	C	△	□	⌘	⌘	Kg.
SFTP 32	470500532001	11.5	34.5	-	TPGX 0902..	-	CS 250T	TORX T08	0.02
SFTP 50	470500550001	19	52	-	TPGX 1103..	-	CS 300890T		0.08
SFCC 50	470500550002	19	52	-	-	CCGT 09T3..	TS 4	TORX T15	0.08
SFQC 50	470500550062	20.5	53	3	-	CCMT 09T3..	TS 4	TORXT15	0.1
SF5M 50-15°	470500550011	19	50.5	-	-	CCMT 09T3..	TS 4	TORXT15	0.07
SF5M 50-30°	470500550013								
SF5M 50-45°	470500550015								

116



125



119



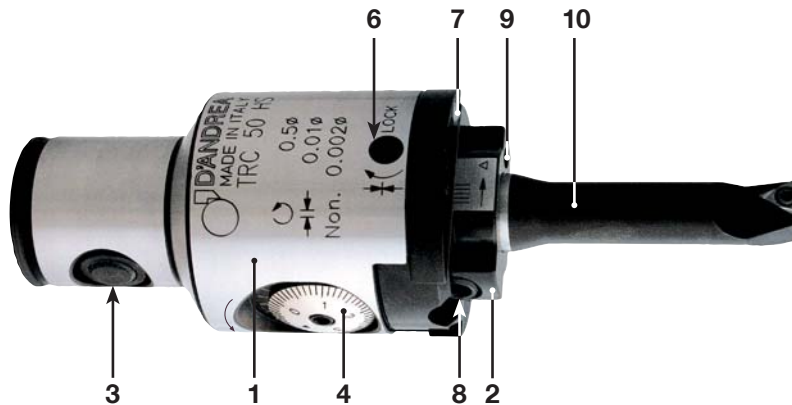
D'ANDREA

MODULHARD'ANDREA

TRC HS

RPM MAX 12.000

Ø 2.5 ~ 22



10 µm
nonio
vernier **2 µm**



- 1 • Body
• Корпус
• Korpus
• Tělo
• Gövde
- 2 • Slide toolholder
• Салазки
• Sanie narzędziowe
• Nástrojový držák šoupatka
• Kayar takim tutucu
- 3 • Expanding radial pin
• Разжимной радиальный штифт
• Promieniowy sworzeń rozporowy
• Rozšiřující radiální kolík
• Radyal genişletme pimi
- 4 • Vernier scale
• Нониус
• Noniusz
• Měřitko Vernier
• Verniye skalası (taksimati)
- 5 • Micrometric vernier scale
• Микрометрический нониус
• Noniusz mikrometryczny
• Mikrometrické měřitko vernier
• Mikrometrik verniye skalası

TRC 32 HS
Ø 2.5 ~ 18



TRC 50 HS
Ø 2.5 ~ 22



GB FEATURES. High precision work to IT6 tolerance, with excellent surface finish, is achieved using TRC HS boring heads. These are very sensitive and radial correction of 5 micron can be effected directly on the machine and easily read on the vernier scale.

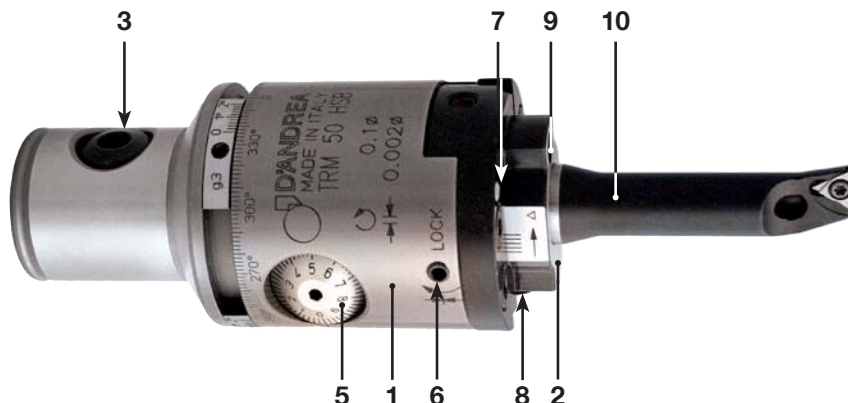
RU ХАРАКТЕРИСТИКИ. Головки TRC HS обеспечивают высокую точность обработки по классу точности IT6 с исключительной чистой поверхности. Они очень чувствительны и радиальная коррекция в 5 микрон может быть осуществлена прямо на станке и легко считана по шкале нониуса.

PL CECHY. Głowice z serii TRC HS umożliwiają obróbkę o bardzo wysokiej dokładności w tolerancji IT6 i gwarantują uzyskanie doskonałej jakości powierzchni. Dokładność ustawcza głowic wynosi 5 mikrometrów na promieniu. Wartość ta jest łatwa do odczytania bezpośrednio na noniuszu, co umożliwia dokonywanie regulacji bezpośrednio na obrabiarce..

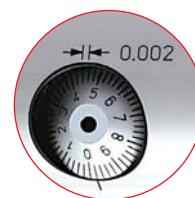
CZ VLASTNOSTI. Pomocí vyvrtávacích hlav TRC HS se docílí vysoce přesné obrábění dle tolerance IT6 s vynikající finální úpravou povrchu. Jsou velmi citlivé a radiální korekci 5 mikronů lze provést přímo na stroji a snadno odečíst na měřítku vernier.

TR ÖZELLİKLER. TRC HS matkap başları kullanılarak IT6 toleransa kadar yüksek hassasiyetli çalışma ve mükemmel yüzey bitirme gerçekleştirilir. Bunlar son derece hassastırlar ve 5 mikron radyal düzeltme doğrudan makine üzerinde gerçekleştirilip verniye skalasında kolayca okunabilir.

TRM HSB
RPM MAX 20.000
Ø 2.5 ~ 22



2 µm

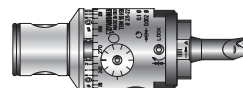


- 6**
- Slide clamp screw
 - Зажимные винты салазок
 - Śruba blokująca sanie narzędziowe
 - Upinací šroub šoupátka
 - Sürgülü sıkma vidası
- 7**
- Coolant outlet
 - Выход хладагента
 - Wylot cieczy chłodzącej
 - Wypust chładciej kapaliny
 - Soğutma sıvısı çıkışı
- 8**
- Tools clamp screws
 - Зажимные винты инструмента
 - Śruba blokująca narzędzie
 - Upinací šrouby nástroje
 - Takımların sıkma vidaları
- 9**
- Oiler
 - Масленка
 - Smarownica
 - Olejnička
 - Yağlayıcı
- 10**
- Tool
 - Инструмент
 - Wytaczak
 - Nástroj
 - Takım

TRM 32 HSB
Ø 2.5 ~ 18



TRM 50 HSB
Ø 2.5 ~ 22



GB FEATURES. High precision work to IT6 tolerance, with excellent surface finish, is achieved using TRM HSB boring heads. These are very sensitive and radial correction of 1 micron can be effected directly on the machine and easily read on the vernier scale.

RU ХАРАКТЕРИСТИКИ. Головки TRM HSB обеспечивают высокую точность обработки по классу точности IT6 с исключительной чистотой поверхности. Они очень чувствительны и радиальная коррекция в 1 микрон может быть осуществлена прямо на станке и легко считана по шкале нониуса.

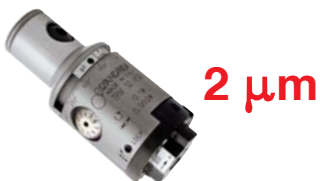
PL CECHY. Głowice z serii TRC HSB umożliwiają obróbkę o bardzo wysokiej dokładności w tolerancji IT6 i gwarantują uzyskanie doskonałej jakości powierzchni. Dokładność ustawcza głowic wynosi 1 mikrometr na promieniu. Wartość ta jest łatwa do odczytania bezpośrednio na noniuszu, co umożliwia dokonywanie regulacji bezpośrednio na obrabiarce.

CZ VLASTNOSTI. Pomocí vyvrtávacích hlav TRM HSB se docílí vysoce přesné obrábění dle tolerance IT6 s vynikající finální úpravou povrchu. Jsou velmi citlivé a radiální korekci 1 mikron lze provést přímo na stroji a snadno odečíst na měřítku vernier.

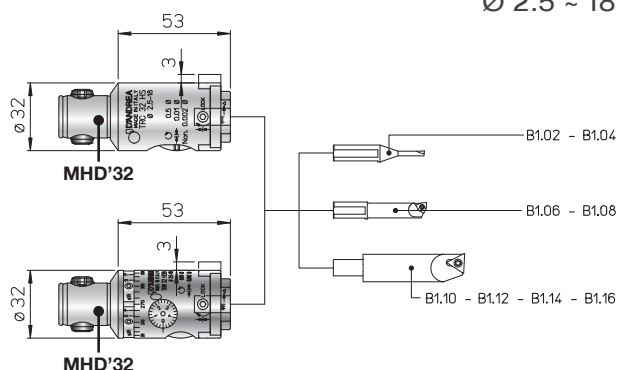
TR ÖZELLİKLER. TRM HSB matkap başları kullanılarak IT6 toleransa kadar yüksek hassasiyetli çalışma ve mükemmel yüzey bitirme gerçekleştirilir. Bunlar son derece hassastırlar ve 1 mikron radyal düzeltme doğrudan makine üzerinde gerçekleştirilip verniye skalasında kolayca okunabilir.



TRC 32 HS
 Ø 2.5 ~ 18
 RPM MAX 12.000

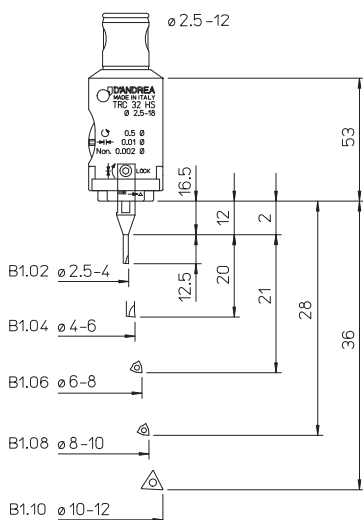


TRM 32 HSB
 Ø 2.5 ~ 18
 RPM MAX 20.000



TRC 32 HS
TRM 32 HSB
 Ø 2.5 ~ 18

REF.	CODE	Kg.
TRC 32 HS	455033200531	0.35
TRM 32 HSB	455103200531	

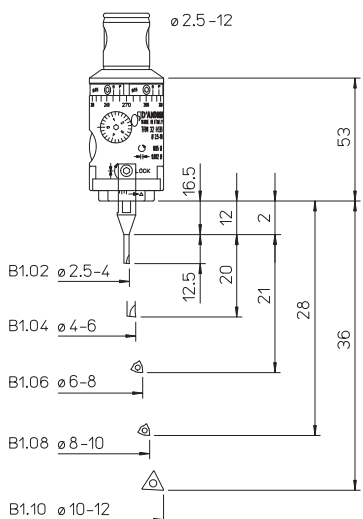


KIT K01
TRC 32 HS
 Ø 2.5 ~ 12



- 1 TRC32HS
- 1 B1.02
- 5 TPGX 090202L DC100
- 2 WCGT 020102L DC100
- 1 B1.04
- 1 B1.06
- 1 B1.08
- 1 B1.10

REF.	CODE	Ø
KIT K01 TRC 32 HS	655033230322	2.5 ~ 12



KIT K01
TRM 32 HSB
 Ø 2.5 ~ 12



- 1 TRM32HSB
- 1 B1.02
- 5 TPGX 090202L DC100
- 2 WCGT 020102L DC100
- 1 B1.04
- 1 B1.06
- 1 B1.08
- 1 B1.10

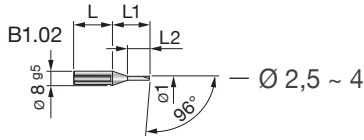
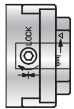
REF.	CODE	Ø
KIT K01 TRM 32 HSB	655003230321	2.5 ~ 12



B1

- Carbide tools
- Твердосплавные инструменты
- Narzędzia z twardego metalu
- Karbidové nástroje
- Karbürtlü takimlar

TRC32HS
TRM32HSB



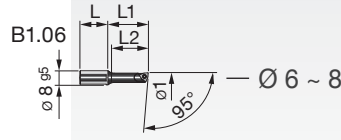
B1.02 — Ø 2,5 ~ 4

B1.04 — Ø 4 ~ 6

B1

- Tools
- Инструменты
- Narzędzia
- Nástroje
- Takimlar

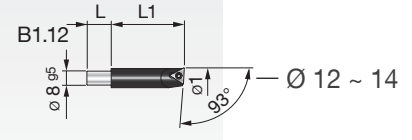
Ø 2.5 ~ 22



B1.06 — Ø 6 ~ 8

B1.08 — Ø 8 ~ 10

B1.10 — Ø 10 ~ 12



B1.12 — Ø 12 ~ 14

B1.14 — Ø 14 ~ 16

B1.16 — Ø 16 ~ 18

REF.	CODE	Ø1	L	L1	L2	Kg.
B1.02	572010502001	2.5 ~ 4	22	21	12.5	0.02
B1.04	572010504001	4 ~ 6	24	24	-	

REF.	CODE	Ø1	L	L1	L2	⊙	⊙	⊙	⊙	Kg.	
B1.06	572010506000	6 ~ 8	16	23	21	WCGT 0201..	-	TS 21	TORX T06	0.01	
B1.08	572010508000	8 ~ 10		28						TS 211	0.015
B1.10	572010510000	10 ~ 12		36							0.02
B1.12	572010512000	12 ~ 14	14	42	-	-	TPGX 0902..	CS 250 T	TORX T08	0.03	
B1.14	572010514000	14 ~ 16		48							0.04
B1.16	572010516000	16 ~ 18		54							0.05





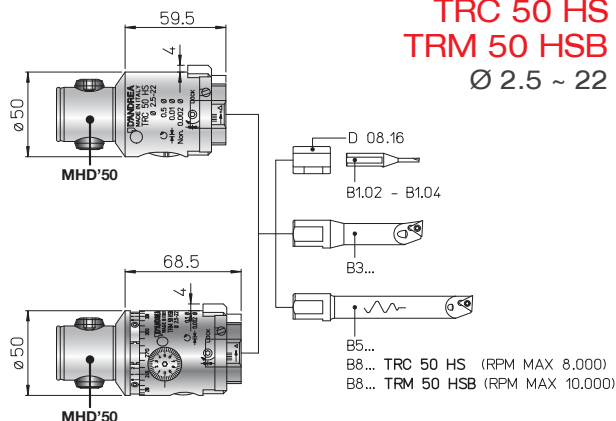
10 μm
nonio
vernier **2 μm**

TRC 50 HS
 $\varnothing 2.5 \sim 22$
RPM MAX 12.000



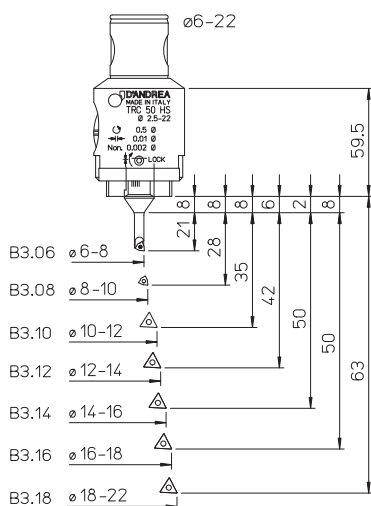
2 μm

TRM 50 HSB
 $\varnothing 2.5 \sim 22$
RPM MAX 20.000



TRC 50 HS
TRM 50 HSB
 $\varnothing 2.5 \sim 22$

REF.	CODE	Kg.
TRC 50 HS	455035000601	1
TRM 50 HSB	455105000701	1.4

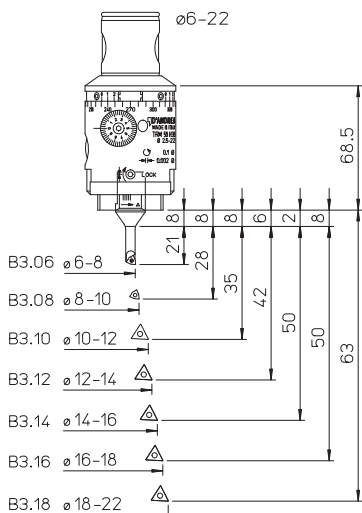


KIT K01
TRC 50 HS
 $\varnothing 6 \sim 22$



- 1 TRC50HS
- 1 B3.10
- 1 B3.16
- 1 B3.06
- 1 B3.12
- 1 B3.18
- 1 B3.08
- 1 B3.14
- 5 TPGX 090202L DC100
- 2 WCGT 020102L DC100

REF.	CODE	\varnothing
KIT K01 TRC 50 HS	655035030502	6 ~ 22



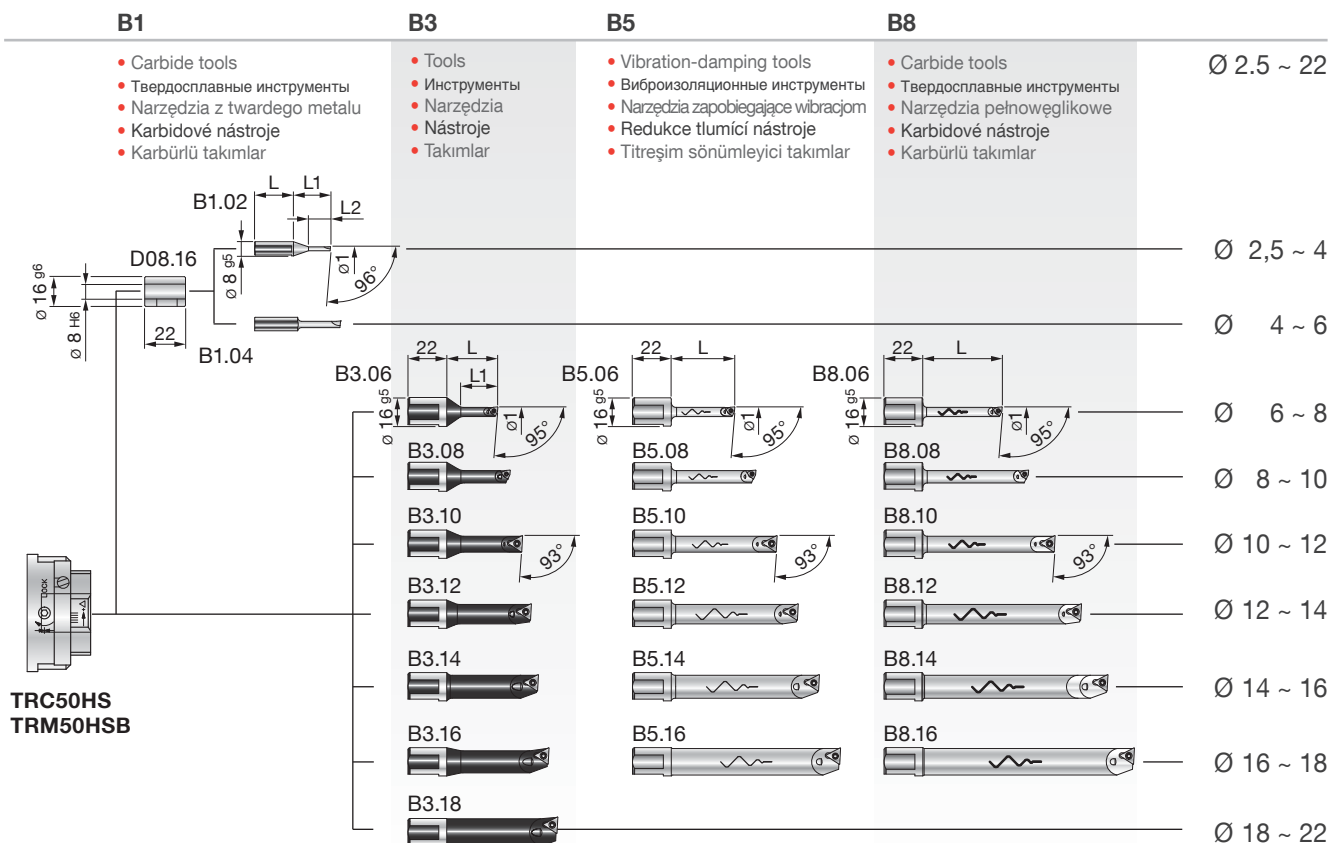
KIT K01
TRM 50 HSB
 $\varnothing 6 \sim 22$



- 1 TRM50HSB
- 1 B3.10
- 1 B3.16
- 1 B3.06
- 1 B3.12
- 1 B3.18
- 1 B3.08
- 1 B3.14
- 5 TPGX 090202L DC100
- 2 WCGT 020102L DC100

REF.	CODE	\varnothing
KIT K01 TRM 50 HSB	655005030501	6 ~ 22





REF.	CODE	Kg.
D08.16	200560116082	0.02

REF.	CODE	Ø1	L	L1	L2	Kg.
B1.02	572010502001	2.5 ~ 4	22	21	12.5	0.02
B1.04	572010504001	4 ~ 6	24	24	-	

REF.	CODE	Ø1	L	L1	⊖	⊖	⊖	⊖	Kg.
B3.06	572010506001	6 ~ 8	29	21	WCGT 0201..	-	TS 21	TORX T06	0.035
B3.08	572010508001	8 ~ 10	36	28					TS 211
B3.10	572010510001	10 ~ 12	43	35	-	TPGX 0902..	CS 250 T	TORX T08	0.05
B3.11	572010511001	11 ~ 13	48	40					0.055
B3.12	572010512001	12 ~ 14	48	42					0.06
B3.14	572010514001	14 ~ 16	52	50					0.07
B3.16	572010516001	16 ~ 18	58	-	-	-	-	-	0.1
B3.18	572010518001	18 ~ 22	63	-					0.1

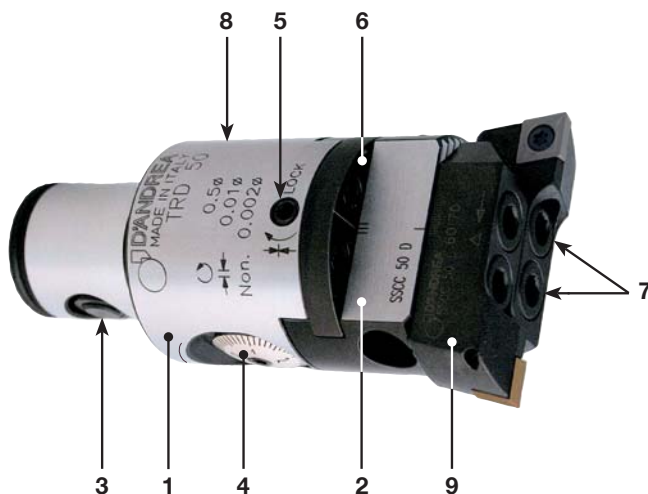
B5.06	572010506105	6 ~ 8	36	-	WCGT 0201..	-	TS 21	TORX T06	0.075
B5.08	572010508105	8 ~ 10	48						TS 211
B5.10	572010510105	10 ~ 12	60	-	-	TPGX 0902..	CS 250 T	TORX T08	0.1
B5.12	572010512105	12 ~ 14	72						0.2
B5.14	572010514105	14 ~ 16	84						0.3
B5.16	572010516105	16 ~ 18	96						0.3

B8.06	572010506108	6 ~ 8	45	-	WCGT 0201..	-	TS 21	TORX T06	0.065
B8.08	572010508108	8 ~ 10	60						TS 211
B8.10	572010510108	10 ~ 12	75	-	-	TPGX 0902..	CS 250 T	TORX T08	0.1
B8.12	572010512108	12 ~ 14	90						0.2
B8.14	572010514108	14 ~ 16	105						0.3
B8.16	572010516108	16 ~ 18	120						0.3



- DOUBLE-BIT TESTAROSSA
- ДВУХРЕЗЦОВАЯ ГОЛОВКА TESTAROSSA
- GŁOWICA TESTAROSSA DWUNOŻOWA
- DVOUHROTOVÁ TESTAROSSA
- ÇİFT UÇLU TESTAROSSA

- Body
 - Корпус
 - Korpus
 - Tělo
 - Gövde
- Slide toolholder
 - Салазки
 - Śanie narzędziowe
 - Šoupátko nástrojového držáku
 - Kayar takim tutucu
- Expanding radial pin
 - Разжимной радиальный штифт
 - Promieniowy sworzeń rozporowy
 - Rozširujcí radiální kolík
 - Radyal genişletme pimi
- Vernier scale
 - Нониус
 - Noniusz
 - Měřitko vernier
 - Verniye skalası (taksimati)
- Slide clamp screw
 - Зажимные винты салазок
 - Śruba blokująca śanie narzędziowe
 - Upinací šroub šoupátka
 - Sürgülü sıkma vidası
- Coolant outlet
 - Выход хладагента
 - Wylot cieczy chłodzącej
 - Výstupní tryska chladicí kapaliny
 - Soğutma sıvısı çıkışı



Dom. Brev. Dep.
Patent Pending

- Tools clamp screws
 - Зажимные винты инструмента
 - Śruba blokująca narzędzie
 - Upinací šrouby nástroje
 - Takımların sıkma vidaları
- Oiler
 - Масленка
 - Smarownica
 - Olejnička
 - Yağlayıcı
- Bit holder
 - Кассета головки
 - Wytaczak
 - Hrotový držák
 - Matkap kovani

10 μ m
nonio
vernier **2 μ m**



GB The main advantage of the TRD head is that it can be pre-regulated independently of the bit holders found on the slide. This allows both roughing and high precision finish work at the same time.

RU Основным преимуществом головок TRD является независимая предварительная регулировка кассет, установленных на салазках, которая позволяет осуществлять черновые и чистовые операции.

PL Główną zaletą głowic TRD jest możliwość niezależnej regulacji wytaczadeł znajdujących się na saniach. Umożliwia to wykonywanie operacji wytaczania zgrubnego i wykończeniowego w tym samym czasie.

CZ Hlavní výhodou hlavy TRD je, že ji lze předem regulovat nezávisle na hrotových držácích na šoupátku. To umožňuje jak hrubování tak vysoce přesné finální opracování současně.

TR TRD kafanın en büyük avantajı, sürgü üzerinde bulunan kovanlardan bağımsız olarak ön ayara tabi tutulabilmesidir. Bu sayede, kaba işleme ve ince işleme çalışmaları aynı anda yapılabilir.

GB FEATURES. The double-bit TRD heads allow both roughing and high precision finish thanks to their rigidity and the sensitivity of the sliding mechanism which can achieve radial correction of 5 microm. This can be effected directly on the machine and easily read on the vernier scale.

RU ХАРАКТЕРИСТИКИ. Двухрезцовые головки TRD позволяют осуществлять комбинированные операции высокой точности, как черновые, так и чистовые, благодаря жесткости и чувствительности механизма салазок, который позволяет достигать радиальной коррекции в 5 микрон. Корректировка может быть осуществлена прямо на станке и считана по шкале нониуса.

PL CECHY. Głowice dwunożowe TRD umożliwiają jednoczesne wytaczanie zgrubne i wykończeniowe dzięki wysokiej sztywności i dokładności mechanizmu mikrometrycznego. Dokładność ustawcza wynosi 5 mikrometrów na promieniu. Wartość ta jest możliwa do odczytania bezpośrednio na obrabiarce dzięki czytelnej skali znajdującej się na głowicy.

CZ VLASTNOSTI. Dvuhrotové hlavy TRD umožňují jak hrubování tak vysoce přesné finální opracování díky pevnosti a citlivosti šoupátkového mechanismu, který může dosáhnout radiální korekce 5 mikrometrů. To lze provést přímo na stroji a snadno odečíst měřítkem vernier.

TR ÖZELLİKLER. Çift uçlu TRD kafaları, sağlamlıkları ve 5 mikron radyal düzeltme yapılabilen kayar mekanizmaları sayesinde hem kaba işleme hem de yüksek hassasiyetli ince işleme işlerinin yapılabilmesini sağlar. Bu doğrudan makine üzerinde gerçekleştirilebilir ve verniye skalasında kolayca okunabilir.

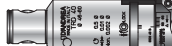
TRD 25
Ø 28 ~ 36



TRD 32
Ø 36 ~ 46



TRD 40
Ø 46 ~ 60



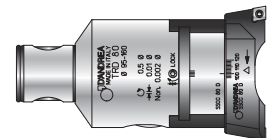
TRD 50
Ø 60 ~ 75



TRD 63
Ø 75 ~ 95



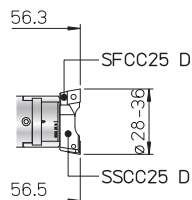
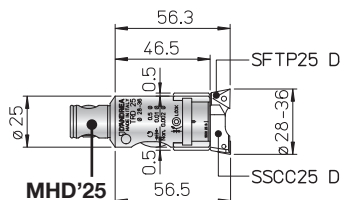
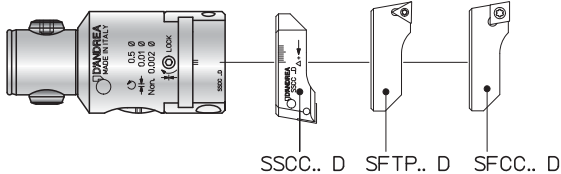
TRD 80
Ø 95 ~ 160



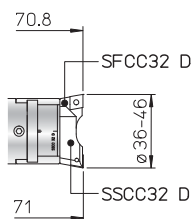
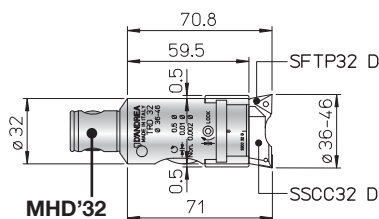
D'ANDREA MODULHARD'ANDREA

TRD 25~80 Ø 28 ~ 160

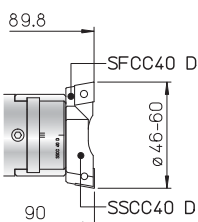
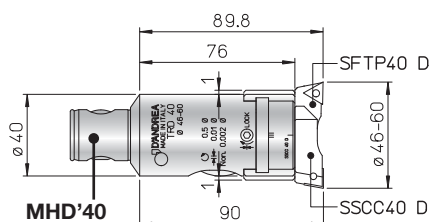
- DOUBLE-BIT TESTAROSSA
- ДВУХРЕЗЦОВАЯ ГОЛОВКА TESTAROSSA
- GŁOWICA TESTAROSSA DWUNOŻOWA
- DVOUHROTOVÁ TESTAROSSA
- ÇİFT UÇLU TESTAROSSA



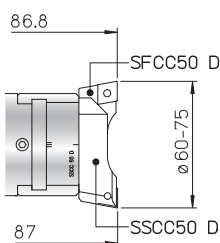
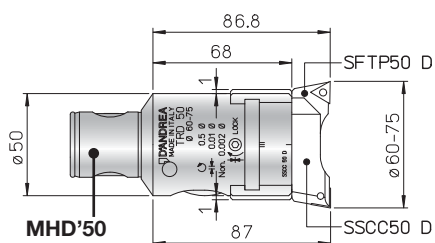
TRD 25
Ø 28 ~ 36



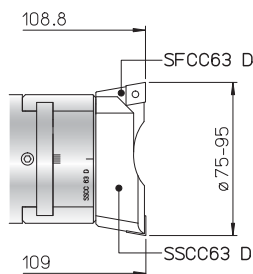
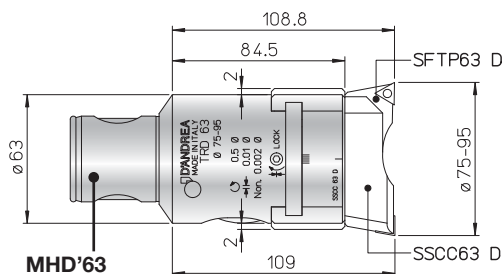
TRD 32
Ø 36 ~ 46



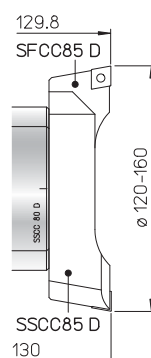
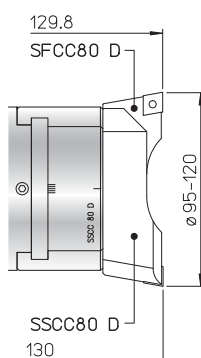
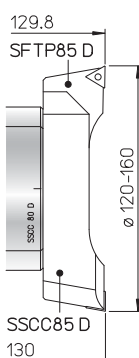
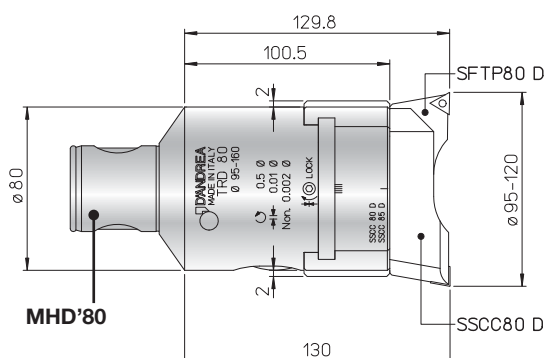
TRD 40
Ø 46 ~ 60



TRD 50
Ø 60 ~ 75



TRD 63
Ø 75 ~ 95



TRD 80
Ø 95 ~ 160



- DOUBLE-BIT TESTAROSSA
- ДВУХРЕЗЦОВАЯ ГОЛОВКА TESTAROSSA
- GŁOWICA TESTAROSSA DWUNOŻOWA
- DVOUHROTOVÁ TESTAROSSA
- ÇİFT UÇLU TESTAROSSA

TRD

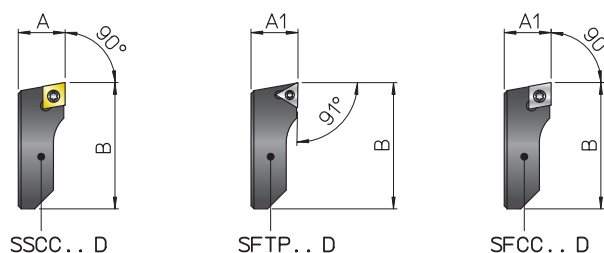


10 µm
nonio
vernier 2 µm

REF.	CODE	Kg.
TRD 25	455022500571	0.2
TRD 32	455023200711	0.35
TRD 40	455024000901	0.7
TRD 50	455025000861	1.5
TRD 63	455026301081	2.7
TRD 80	455028001291	4.8

- BIT-HOLDERS FOR DOUBLE-BIT TESTAROSSA
- КАССЕТЫ ДЛЯ ДВУХРЕЗЦОВОЙ ГОЛОВКИ TESTAROSSA
- OSTRZA DO GŁOWIC TESTAROSSA DWUNOŻOWYCH
- HROTOVÉ DRŽÁKY PRO DVOUHROTOVOU TESTAROSSA
- ÇİFT UÇLU TESTAROSSA İÇİN MATKAP KOVANLARI

SS-SF



REF.	CODE	A	A1	B					Kg.
SSCC 25 D	470500525220	10	-	24	-	CCMT 0602..	TS 25	TORX T08	0.008
SSCC 32 D	470500532220	11.5	-	30	-				0.015
SSCC 40 D	470500540220	14	-	40	-				0.03
SSCC 50 D	470500550220	19	-	54	-				0.06
SSCC 63 D	470500563220	24.5	-	68	-	CCMT 09T3..	TS 4	TORX T15	0.15
SSCC 80 D	470500580220	29.5	-	87	-				0.3
SSCC 85 D	470500585221		-	107.4	-				0.4
SFTP 25 D	470500525030	-	9.8	24	TPGX 0902..	-	CS 250T		0.008
SFTP 32 D	470500532030	-	11.3	30					0.015
SFTP 40 D	470500540030	-	13.8	40					0.03
SFTP 50 D	470500550030	-	18.8	54					0.06
SFTP 63 D	470500563030	-	24.3	68	TPGX 1103..	-	CS 300890T	TORX T08	0.15
SFTP 80 D	470500580030	-	29.3	87					0.3
SFTP 85 D	470500585031	-		107.4					0.4
SFCC 25 D	470500525020	-	9.8	24	-	CCGT 0602..	TS 25	TORX T08	0.008
SFCC 32 D	470500532020	-	11.3	30	-				0.015
SFCC 40 D	470500540020	-	13.8	40	-				0.03
SFCC 50 D	470500550020	-	18.8	54	-				0.06
SFCC 63 D	470500563020	-	24.3	68	-	CCGT 09T3..	TS 4	TORX T15	0.15
SFCC 80 D	470500580020	-	29.3	87	-				0.3
SFCC 85 D	470500585021	-		107.4	-				0.4

116

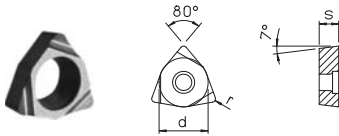
120

118



- INSERTS
- BCTABKI
- KOŃCÓWKI
- VLOŽKY
- EK PARÇALAR

WCGT ○○○○○○ L

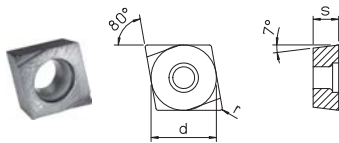


REF.	d	s	r	T	S	CARBIDE		CERMET	COATED CERMET
						DP300	DK100	DC100	DC100T
WCGT 020102 L	3.97	1.59	0.2	TS 21*-TS 211*	TORX T06	•	•	•	•
WCGT 020104 L			0.4			•	•	•	•

* TS21 : B...06

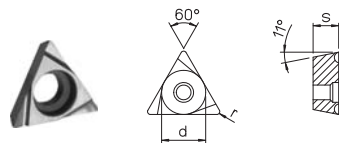
* TS211 : B...08

CCGT ○○○○○○ L



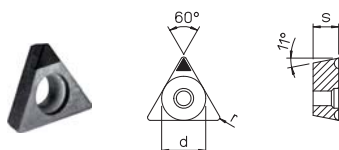
REF.	d	s	r	T	S	CARBIDE		CERMET	COATED CERMET
						DP300	DK100	DC100	DC100T
CCGT 060200 L10°	6.35	2.38	0	TS 25	TORX T08	•	•	•	•
CCGT 060202 L			0.2			•	•	•	•
CCGT 060204 L			0.4			•	•	•	•
CCGT 09T302 L	9.525	3.97	0.2	TS 4	TORX T15	•	•	•	•
CCGT 09T304 L			0.4			•	•	•	•

TPGX ○○○○○○ L



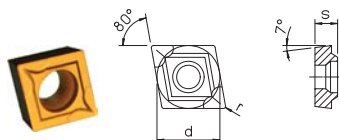
REF.	d	s	r	T	S	CARBIDE		CERMET	COATED CERMET
						DP300	DK100	DC100	DC100T
TPGX 090200 L10°	5.56	2.38	0	CS250T	TORX T08	•	•	•	•
TPGX 090202 L			0.2			•	•	•	•
TPGX 090204 L			0.4			•	•	•	•
TPGX 110300 L10°	6.35	3.18	0	CS300890T	TORX T08	•	•	•	•
TPGX 110302 L			0.2			•	•	•	•
TPGX 110304 L			0.4			•	•	•	•

TPGX ○○○○○○



REF.	d	s	r	T	S	SINTERED DIAMOND	CUBIC BORON NITRIDE	
						D20 MDC	D20 CBN	D25 CBN
TPGX 090202	5.56	2.38	0.2	CS250T	TORX T08	•	•	•
TPGX 090204			0.4			•	•	•
TPGX 110302	6.35	3.18	0.2	CS300890T	TORX T08	•	-	•
TPGX 110304			0.4			•	•	•

CCMT ○○○○○○



REF.	d	s	r	T	S	CARBIDE	CVD COATED CARBIDE
						DP300	DP100 R
CCMT 060202	6.35	2.38	0.2	TS 25	TORX T08	•	•
CCMT 060204			0.4			•	•
CCMT 09T304	9.525	3.97	0.4	TS 4	TORX T15	•	•
CCMT 09T308			0.8			•	•
CCMT 120404			0.4			•	•
CCMT 120408	12.7	4.76	0.8	TS 5	TORX T25	•	•



- BORING GRADE
- ПАСТОЧКА
- JAKOŚĆ WYTACZANIA
- STUPEŇ VYVRTÁVÁNÍ
- DELİK AÇMA SINIFI

ISO	CARBIDE ИЗ ТВЕРДОСПЛАВНОГО МЕТАЛЛА TWARDY METAL KARBID METALLI SERAMİK	CERMET	COATED CERMET МЕТАЛЛО-КЕРАМИЧЕСКАЯ С ПОКРЫТИЕМ CERMET POWLEKANY POTAHOVANÝ CERMET KAPLAMALI METALLI SERAMİK	CVD COATED CARBIDE ИЗ ТВЕРДОСПЛАВНОГО МЕТАЛЛА С ПОКРЫТИЕМ CVD TWARDY METAL POWLEKANY CVD CVD POTAHOVANÝ KARBID CVD KAPLI KARBÜR
P01				
P10		DC100	DC100T	DP100R
P20				
P30	DP300			
P40				
K01				
K10	DK100	DC100	DC100T	DP100R
K20	DP300			
K30				

DP300

- Roughing and finishing. Low carbon steel - stainless steels
- Черновая и чистовая обработка. Низкоуглеродистая сталь – нержавеющая сталь
- Obróbka zgrubna i wykończenie. Stale o niskiej zawartości węgla – stale nierdzewne
- Hrubování a dokončování. Nízkouhlíková ocel - nerezové oceli
- Kaba işleme ve bitirme. Düşük karbonlu çelik - paslanmaz çelikler

DK100

- Roughing and finishing. Aluminium alloy Cast iron
- Черновая и чистовая обработка. Алюминиевый сплав, чугун
- Obróbka zgrubna i wykończenie. Stopy aluminium i żeliwa
- Hrubování a dokončování. Hliníková slitina. Litina
- Kaba işleme ve bitirme. Alüminyum alaşım Dökme demir

DP100R

- Roughing. Steels, alloy steels and cast iron
- Черновая обработка. Сталь, легированная сталь и чугун
- Obróbka zgrubna. Stale, stale stopowe i żeliwa
- Hrubování. Oceli, slitinové oceli a litina
- Kaba işleme. Çelikler, alaşımlı çelikler ve dökme demir

DC100

- Finishing. Alloy steels and cast iron
- Чистовая обработка. Легированная сталь в целом и сфероидальный чугун
- Wykończenie. Stale stopowe i żeliwa sferoidalne
- Dokončování. Slitinové oceli a litina
- Bitirme. Alaşımlı çelikler ve dökme demir

DC100T

- Finishing. Alloy steels, stainless steels and cast iron
- Чистовая обработка. Легированная сталь в целом и сфероидальный чугун
- Wykończenie. Stale stopowe, stale nierdzewne i żeliwa sferoidalne
- Dokončování. Slitinové oceli, nerezové oceli a litina
- Bitirme. Alaşımlı çelikler, paslanmaz çelikler ve dökme demir

D20MDC

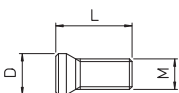
- Finishing. Aluminium alloys, non-ferrous materials and non-metals
- Чистовая обработка. Алюминиевые сплавы, цветные металлы и неметаллы
- Wykończenie. Stopy aluminium, materiały nieżelazne i niemetale
- Dokončování. Hliníkové slitiny, neželezné materiály a nekovy
- Bitirme. Alüminyum alaşımlar, demir içermeyen malzemeler ve metal olmayan malzemeler

D20CBN

- Finishing. High hardness steels (over 50 HRC) (it may replace the grinding)
- Чистовая обработка. Стали с высокой твердостью - по Роквеллу более 50 ед. по шкале С (может заменить шлифование)
- Wykończenie. Stale o dużej twardości przekraczającej 50 HRC (może zastępować szlifowanie)
- Dokončování. Oceli o vysoké tvrdosti (nad 50 HRC) (může nahradit broušení)
- Bitirme. Yüksek sertlikte (>50 HRC) çelikler (taşlamanın yerini alabilir)

D25CBN

- Finishing. High hardness steel (over 50 HRC) and interrupted cutting (it may replace the grinding)
- Чистовая обработка. Стали с высокой твердостью - по Роквеллу более 50 ед. по шкале С и прерывание резания (может заменить шлифование)
- Wykończenie. Stale o dużej twardości przekraczającej 50 HRC i skrawaniu przerywanym (może zastępować szlifowanie)
- Dokončování. Ocel o vysoké tvrdosti (nad 50 HRC) a přerušované frézování (může nahradit broušení)
- Bitirme. Yüksek sertlikte (>50 HRC) çelik ve fasilalı kesme (taşlamanın yerini alabilir)

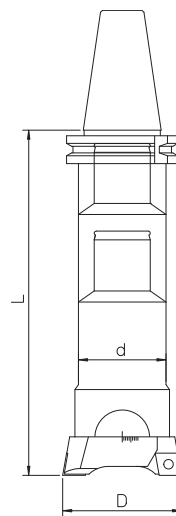


TORX

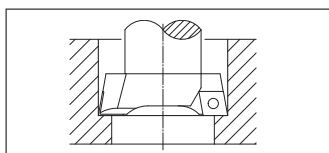
REF.	CODE	M	L	D	REF.	CODE
TS 21	494010002034	M 2x0.4	3.7	2.7	TORX T06	10 150 09 0 0600
TS 211	494010002040		4			
CS 250 T	494010002565	M 2.5x0.45	6	3.7	TORX T08	10 150 09 0 0800
CS 300890 T	494010003008	M 3x0.5	8	4.1		
TS 25	494010002555	M 2.5x0.45	5.7	3.45	TORX T15	10 150 09 0 1500
TS 4	494010004008	M 4x0.7	10	5.5		
TS 5	494010005009	M 5x0.8	11.5	7	TORX T25	10 150 09 0 2500
DMC US63	494210035070	M 3.5x0.6	10	5.2	TORX T15	10 150 09 0 1500

RECOMMENDED CUTTING CONDITIONS FOR ROUGHING OPERATIONS WITH DOUBLE-BIT HEADS TS
DATI DI TAGLIO CONSIGLIATI PER SGROSSATURA DI FORI CON TESTINE BITAGLIENTI TS

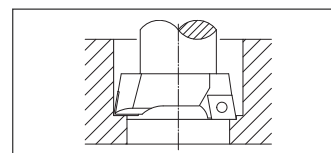
material materiale	boring bar dimensions dimensioni bareno	working conditions condizioni di lavoro	cutting speed Vc = m/min. velocità di taglio Vc = m/min.			feed fn = mm/rev (twin cutters) avanzamento f = mm/giro (due taglienti)		
			D < 38	diameter diametro		R = 0.2	insert radius raggio inserto	
				D = 38-120	D > 120		R = 0.4	R = 0.8
carbon steel acciaio al carbonio HB ≤ 200	L / d = 2.5	good / buona	120 - 180	140 - 200	160 - 250	-	0.2 - 0.4	0.3 - 0.5
	L / d = 4	normal / normale	100 - 160	120 - 180	140 - 200	-	0.2 - 0.4	0.3 - 0.5
	L / d = 6.3	difficult / difficile	70 - 100	70 - 100	70 - 100	0.15 - 0.3	0.2 - 0.4	-
carbon steel acciaio al carbonio HB > 200	L / d = 2.5	good / buona	100 - 160	120 - 180	140 - 200	-	0.2 - 0.4	0.3 - 0.5
	L / d = 4	normal / normale	80 - 140	100 - 160	120 - 180	-	0.2 - 0.4	0.3 - 0.5
	L / d = 6.3	difficult / difficile	60 - 90	70 - 100	70 - 100	0.15 - 0.3	0.2 - 0.4	-
stainless steel acciaio inox AISI 304 - 316	L / d = 2.5	good / buona	80 - 110	90 - 120	100 - 140	-	0.2 - 0.4	0.3 - 0.5
	L / d = 4	normal / normale	70 - 100	80 - 110	90 - 120	-	0.2 - 0.4	0.3 - 0.5
	L / d = 6.3	difficult / difficile	60 - 90	60 - 90	60 - 90	0.15 - 0.3	0.2 - 0.4	-
cast iron ghisa	L / d = 2.5	good / buona	90 - 120	100 - 140	120 - 160	-	0.2 - 0.4	0.3 - 0.5
	L / d = 4	normal / normale	70 - 100	90 - 120	100 - 140	-	0.2 - 0.4	0.3 - 0.5
	L / d = 6.3	difficult / difficile	60 - 90	60 - 90	60 - 90	0.15 - 0.3	0.2 - 0.4	-
aluminium alluminio	L / d = 2.5	good / buona	160 - 250	200 - 300	250 - 350	-	0.3 - 0.5	0.4 - 0.6
	L / d = 4	normal / normale	140 - 200	160 - 250	200 - 300	-	0.3 - 0.5	0.4 - 0.6
	L / d = 6.3	difficult / difficile	100 - 150	100 - 150	100 - 150	0.2 - 0.4	0.3 - 0.5	-



cutting depth profondità di passata ap = mm	working range campo di lavoro Ø = mm	max. cutting depth max. profondità di passata	
		steel acciaio	cast iron, aluminium ghisa, alluminio
	18 - 28	1.5 - 2	2 - 2.5
	28 - 50	2 - 3	2.5 - 3.5
	50 - 68	3 - 4	3.5 - 5
	68 - 200	4 - 5	5 - 7
	200 - 500	5 - 6	6 - 8



- Twin cutters at the same cutting diameter
- Due taglienti sullo stesso diametro



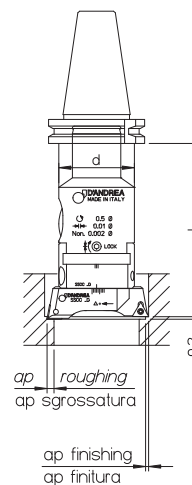
- Twin cutters at different cutting diameters
- Due taglienti su diametri diversi

- It's advisable to start with B hole ≥ the boring bar diameter d.
- È consigliabile che il preforo B sia ≥ al diametro del bareno d.

- **ATTENTION:** For boring operations at different diameters, reduce to a half the feed indicated on the above table.
- **ATTENZIONE:** Per lavorare con un solo tagliente o con differenti diametri di taglio, dimezzare l'avanzamento indicato in tabella.

RECOMMENDED CUTTING CONDITIONS FOR BORING OPERATIONS WITH DOUBLE-BIT TESTAROSSA TRD
DATI DI TAGLIO CONSIGLIATI PER ALESATURA CON TESTAROSSA BITAGLIENTE TRD

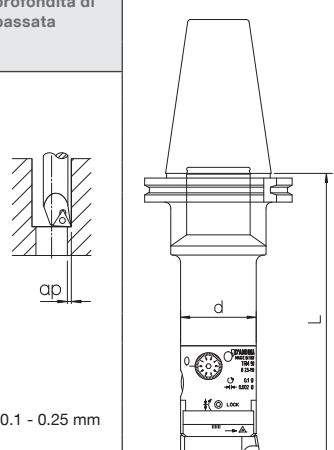
material materiale	boring bar dimensions dimensioni bareno	working conditions condizioni di lavoro	cutting speed Vc = m/min. velocità di taglio Vc = m/min.	feed fn = mm/rev avanzamento fn = mm/giro		quality insert qualità inserto		cutting depth profondità di passata			
				insert radius raggio inserto		roughing sgrossatura	finishing finitura	roughing sgrossatura			
				R = 0.2	R = 0.4			finishing finitura	ø28 ø46	ø46 ø75	ø75 ø160
carbon steel acciaio al carbonio HB ≤ 200	L / d = 2.5	good / buona	160 - 250	0.1 - 0.2	0.1 - 0.2	DC100 DP300	DP300 DP100R	0.15 - 0.3	1.5	2	2.5
	L / d = 4	normal / normale	120 - 180	0.1 - 0.2	0.1 - 0.2						
	L / d = 6.3	difficult / difficile	70 - 100	*0.1 - 0.15	0.1 - 0.2						
carbon steel acciaio al carbonio HB > 200	L / d = 2.5	good / buona	140 - 200	0.1 - 0.2	0.1 - 0.2	DC100	DP300 DP100R	0.15 - 0.3	1.5	2	2.5
	L / d = 4	normal / normale	100 - 160	0.1 - 0.2	0.1 - 0.2						
	L / d = 6.3	difficult / difficile	70 - 100	*0.1 - 0.15	0.1 - 0.2						
stainless steel acciaio inox AISI 304 - 316	L / d = 2.5	good / buona	100 - 140	0.1 - 0.2	0.1 - 0.2	DP300	DP300	0.15 - 0.3	1.5	2	2.5
	L / d = 4	normal / normale	80 - 110	0.1 - 0.2	0.1 - 0.2						
	L / d = 6.3	difficult / difficile	60 - 90	*0.1 - 0.15	0.1 - 0.2						
cast iron ghisa	L / d = 2.5	good / buona	120 - 160	0.1 - 0.2	0.1 - 0.2	DK100 DC300	DP100R	0.15 - 0.3	2	2.5	3
	L / d = 4	normal / normale	90 - 120	0.1 - 0.2	0.1 - 0.2						
	L / d = 6.3	difficult / difficile	60 - 90	*0.1 - 0.15	0.1 - 0.2						
aluminium alluminio	L / d = 2.5	good / buona	250 - 350	0.1 - 0.2	0.1 - 0.2	DK100	DK100	0.15 - 0.3	2	2.5	3
	L / d = 4	normal / normale	160 - 250	0.1 - 0.2	0.1 - 0.2						
	L / d = 6.3	difficult / difficile	100 - 150	*0.1 - 0.15	0.1 - 0.2						



* Only for finishing inserts
 * Solo per inserti di finitura



- RECOMMENDED CUTTING CONDITIONS FOR BORING OPERATIONS WITH TESTAROSSA TR-E / TRM / TRC / TR-PSC
- DATI DI TAGLIO CONSIGLIATI PER L'ALESATURA CON TESTAROSSA TR-E / TRM / TRC / TR-PSC

material materiale	boring bar dimensions dimensioni bareno	working conditions condizioni di lavoro	cutting speed $V_c = m/min.$ velocità di taglio $V_c = m/min.$	feed $f_n = mm/rev$ avanzamento $f_n = mm/giro$			quality insert qualità inserto	cutting depth profondità di passata	
				insert radius raggio inserto					
				R = 0.0	R = 0.2	R = 0.4			
carbon steel acciaio al carbonio $HB \leq 200$	L / d = 2.5	good / buona	200 - 300	-	0.05 - 0.08	0.07 - 0.1	DC100 DP300		
	L / d = 4	normal / normale	160 - 250	-	0.05 - 0.08	0.07 - 0.1			
	L / d = 6.3	difficult / difficile	70 - 100	0.05 - 0.08	0.05 - 0.08	-			
carbon steel acciaio al carbonio $HB > 200$	L / d = 2.5	good / buona	160 - 250	-	0.05 - 0.08	0.07 - 0.1	DC100		
	L / d = 4	normal / normale	150 - 200	-	0.05 - 0.08	0.07 - 0.1			
	L / d = 6.3	difficult / difficile	70 - 100	0.05 - 0.08	0.05 - 0.08	-			
stainless steel acciaio inox AISI 304 - 316	L / d = 2.5	good / buona	120 - 160	-	0.05 - 0.08	0.07 - 0.1	DP300		
	L / d = 4	normal / normale	100 - 140	-	0.05 - 0.08	0.07 - 0.1			
cast iron ghisa	L / d = 2.5	good / buona	120 - 160	-	0.05 - 0.08	0.07 - 0.1	DK100 DC100		
	L / d = 4	normal / normale	100 - 140	-	0.05 - 0.08	0.07 - 0.1			
	L / d = 6.3	difficult / difficile	70 - 100	0.05 - 0.08	0.05 - 0.08	-			
aluminium alluminio	L / d = 2.5	good / buona	300 - 400	-	0.05 - 0.08	0.07 - 0.1	DK100		
	L / d = 4	normal / normale	250 - 350	-	0.05 - 0.08	0.07 - 0.1			
	L / d = 6.3	difficult / difficile	100 - 150	0.05 - 0.08	0.05 - 0.08	-			
steel acciaio $HB \leq 200$	L / d = 2.5	good / buona	80 - 100	-	0.04 - 0.06	0.05 - 0.07	D20CBN		
	L / d = 4	normal / normale	80 - 100	-	0.04 - 0.06	0.05 - 0.07			

- CALCULATION FORMULAS FOR BORING
- FORMULA DI CALCOLO PER ALESATURA

V_c

- cutting speed (m/min.)
- velocità di taglio (m/min.)

$$V_c = \frac{\pi \cdot D \cdot n}{1000}$$

D

- diameter of workpiece (mm)
- diametro del pezzo da lavorare (mm)

n

- number of revolutions / min' (rev./min)
- numeri di giri al minuto (giri/min.)

$$n = \frac{V_c \cdot 1000}{\pi \cdot D}$$

V_f

- feed rate (mm/min.)
- velocità avanzamento (mm/min.)

$$V_f = n \cdot f_n$$

f_n

- feed / rev. (mm/rev)
- avanzamento al giro (mm/giro)

π

- 3.14

- SPARE PARTS
- ЗАПАСНЫЕ ЧАСТИ
- CZĘŚCI ZAMIENNE
- NÁHRADNÍ DÍLY
- YEDEK PARÇALAR

SYSTEM MHD'

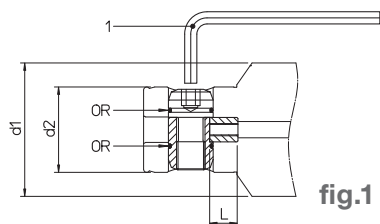


fig.1

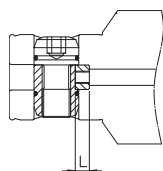


fig.2

REF.	CODE	d1	d2	CODE 1	CODE OR	L	fig.
MHD' 14	381725001161	14	10	101500100250	-	2	2
MHD' 16		16					
MHD' 20	381725001201	20	13	101500100300	-	2.5	
MHD' 25	381725001251	25	16			3	
MHD' 32	381725001321	32	20	101500100400	101254007510	3.55	
MHD' 40	381725001401	40	25	101500100500	101254010010	4	
MHD' 50 RD 50 / .. TR-E - TRM - TRC - TRD	381725001501	50	32	101500100600	101254013010	4.2	
MHD' 50	381725001001					12.2	
MHD' 63-80	381725001002	63-80	42	101500100800	101251002075	13.85	1
MHD' 110 - 140	381725001003	110-140	76	101500101400	101251003112	10	1

TS

fig.1

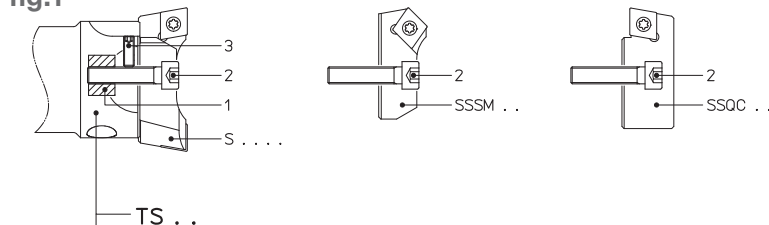


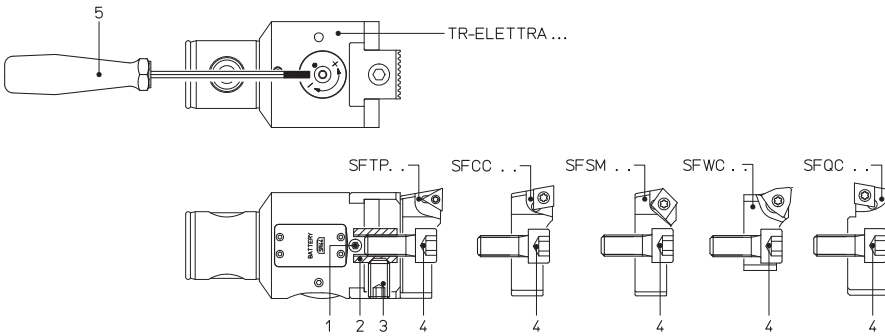
fig.2

fig.	REF.	CODE 1	CODE 2	CODE 3
1	TS 16/16	201430110008	100051030014	100231030004
	TS 20/20	201430110009	100051040015	100231030005
	TS 25/25	201430110010	100051040020	100231030008
	TS 32/32	201430110011	100051050025	100231040012
	TS 40/40	201430110012	100051060030	100231050014
2	TS 50/50	201430110013	100051080035	100231050012
	TS 50/63	201430110014	100051100040	100231060016
	TS 63/63			
	TS 80/80	201430110015	100051120045	100231080025



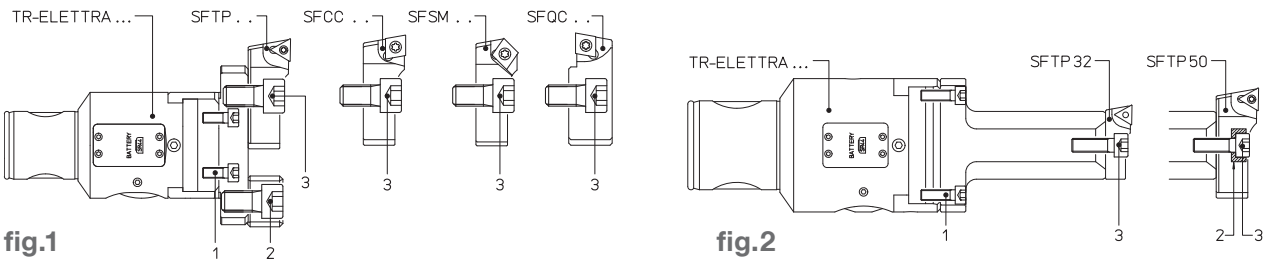
- SPARE PARTS
- ЗАПАСНЫЕ ЧАСТИ
- CZĘŚCI ZAMIENNE
- NÁHRADNÍ DÍLY
- YEDEK PARÇALAR

TR-ELETTRA



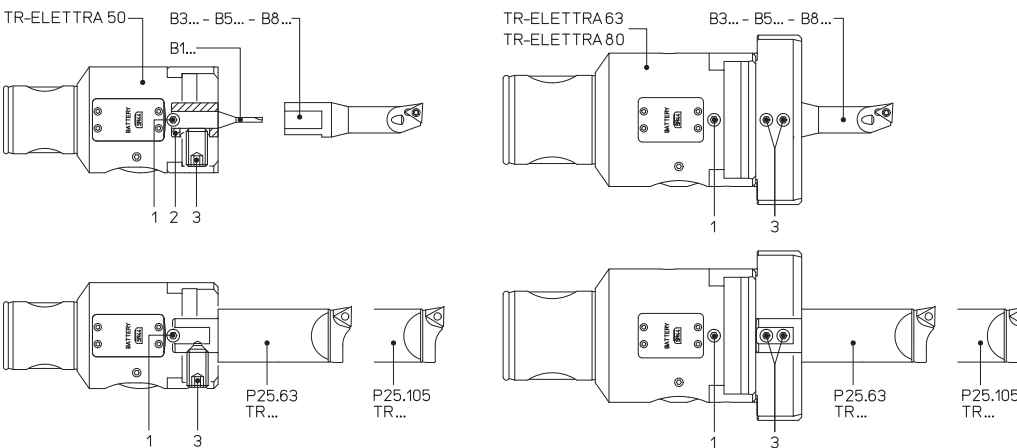
REF.	CODE 1	CODE 2	CODE 3	CODE 4	CODE 5
TR-ELETTRA 32	100238050007	-	-	100051060012	101500800250
TR-ELETTRA 40				100051080014	101500800300
TR-ELETTRA 50	100238060010	201041015002	100231100016	100051100025	101500800250
TR-ELETTRA 63		-	-	100051100020	
TR-ELETTRA 80	200100150614				100051100025

TR-ELETTRA



REF.	CODE 1	CODE 2	CODE 3	fig
TR-ELETTRA 50	200100150501	100051100020	100051100025	1
TR-ELETTRA 63	100051050025			
TR-ELETTRA 80	100051050016			
TR-ELETTRA 63	100051050016	201040607001	100051006020	2
TR-ELETTRA 80				

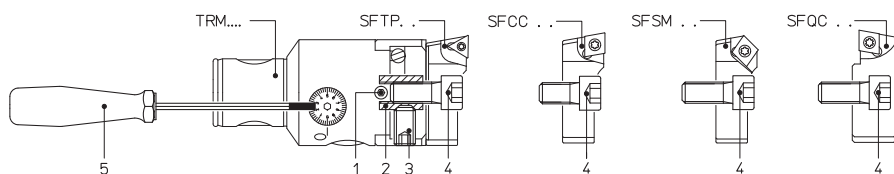
TR-ELETTRA



REF.	CODE 1	CODE 2	CODE 3
TR-ELETTRA 50	100238060010	200560116082	100231100016
TR-ELETTRA 63		-	100231060006
TR-ELETTRA 80	200100150614		

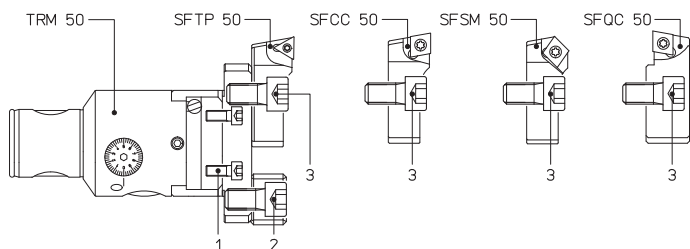
- SPARE PARTS
- ЗАПАСНЫЕ ЧАСТИ
- CZĘŚCI ZAMIENNE
- NÁHRADNÍ DÍLY
- YEDEK PARÇALAR

TRM



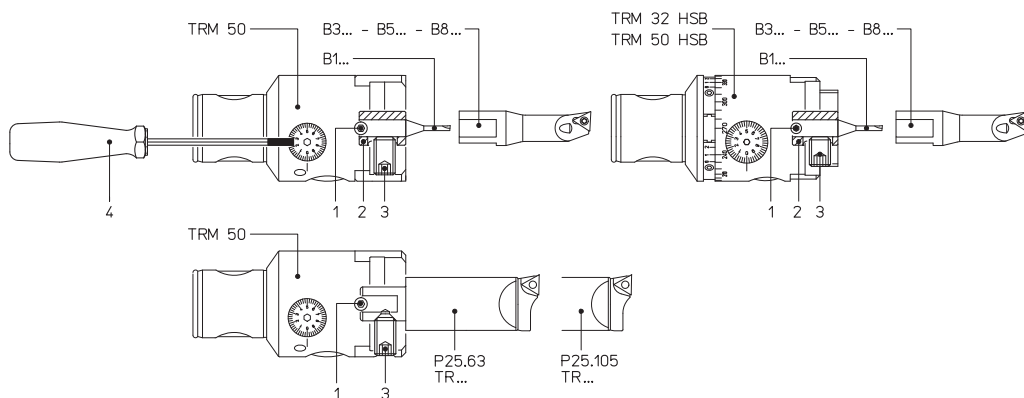
REF.	CODE 1	CODE 2	CODE 3	CODE 4	CODE 5
TRM 16	200100190301			100051030006	101500800150
TRM 20				100051040008	
TRM 25	100271040004	-	-	100051050010	101500800200
TRM 32	100231040006			100051060012	
TRM 40	100271050006	201041015002	100231100016	100051080014	101500800250
TRM 50	100271050008			100051100025	

TRM



REF.	CODE 1	CODE 2	CODE 3
TRM 50	200100150501	100051100020	100051100025

TRM

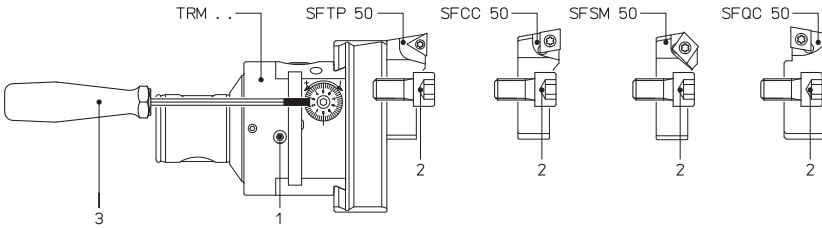


REF.	CODE 1	CODE 2	CODE 3	CODE 4
TRM 50	100271050008	200560116082	100231100016	101500800250
TRM 32 HSB	100271040005	-	100231050008 100231050012	101500800200
TRM 50 HSB	100271050008	200560116082	100231100010	101500800250



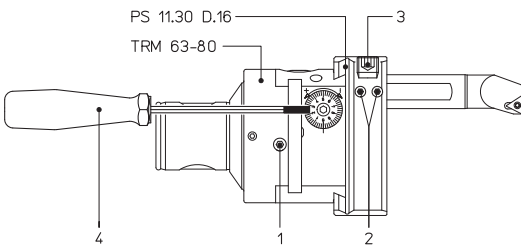
- SPARE PARTS
- ЗАПАСНЫЕ ЧАСТИ
- CZĘŚCI ZAMIENNE
- NÁHRADNÍ DÍLY
- YEDEK PARÇALAR

TRM



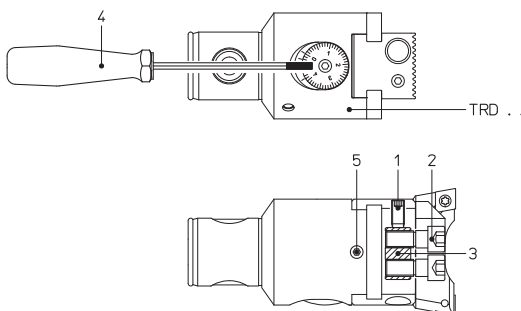
REF.	CODE 1	CODE 2	CODE 3
TRM 63	100251060010	100051100018	101500800300
TRM 80	100251060014		
TRM 125	100251060020	100051100025	

TRM



REF.	CODE 1	CODE 2	CODE 3	CODE 4
TRM 63	100251060010	100231050006	100231100010	101500800300
TRM 80	100251060014			

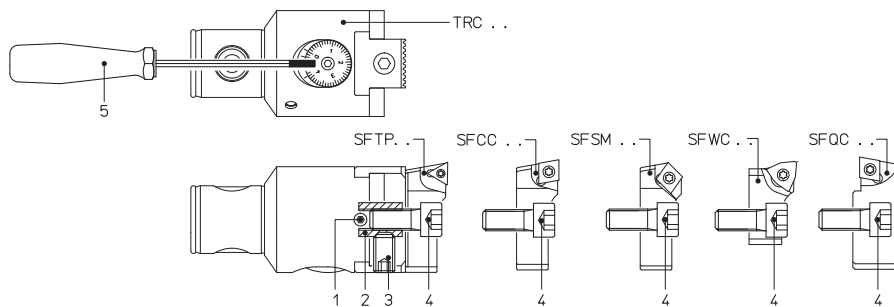
TRD



REF.	CODE 1	CODE 2	CODE 3	CODE 4	CODE 5
TRD 25	100231040008	200100150411	201430110024	101500800200	100271040004
TRD 32	100231050010	200100150512	201430110023	101500800250	100271050006
TRD 40	100231060012	200100150616	201430170001	101500800300	100271060006
TRD 50	100231060014	200100150820	201430110021		100271060008
TRD 63	100231060016	200100151026	201430110026		100271060012
TRD 80	100231060020	200100151230	201430110022		

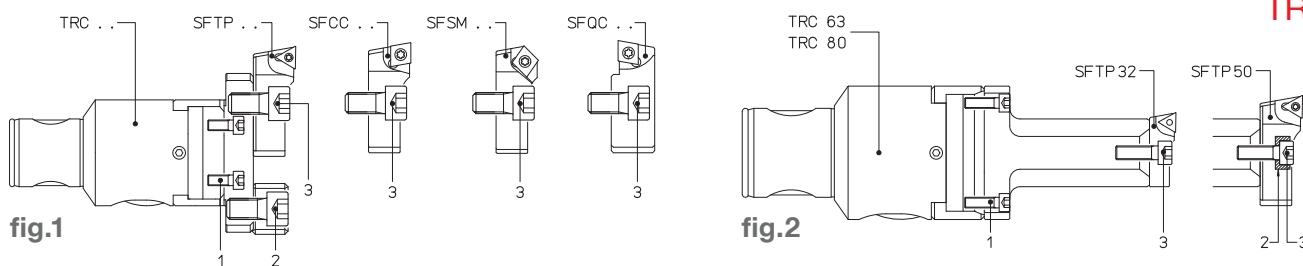
- SPARE PARTS
- ЗАПАСНЫЕ ЧАСТИ
- CZĘŚCI ZAMIENNE
- NÁHRADNÍ DÍLY
- YEDEK PARÇALAR

TRC



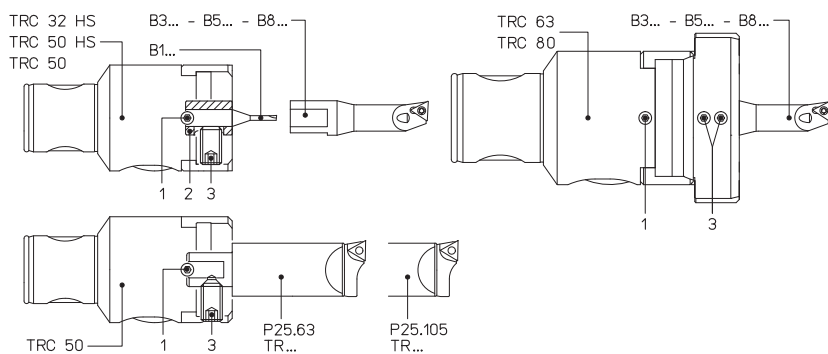
REF.	CODE 1	CODE 2	CODE 3	CODE 4	CODE 5
TRC 14	200100190302	-	-	100051030006	101500800150
TRC 16	200100190301			100051040008	
TRC 20				100051050010	
TRC 25	100271040004			100051060012	101500800250
TRC 32	100271050005			201041015002	100231100016
TRC 40	100271060006				
TRC 50	100271060008				
TRC 63	100271060008				
TRC 80	100271060012	-	-	100051100025	
				100051100020	
				100051100025	

TRC



REF.	CODE 1	CODE 2	CODE 3	fig.
TRC 50	200100150501	100051100020	100051100025	1
TRC 63	100051050025			
TRC 80				
TRC 63	100051050016	201040607001	100051006020	2
TRC 80				

TRC

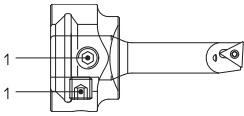


REF.	CODE 1	CODE 2	CODE 3
TRC 32 HS	100271050006	-	100231050008 100231050012
TRC 50 HS	100271060008	200560116082	100231100010
TRC 50		-	100231060006
TRC 63			
TRC 80	100271060012		



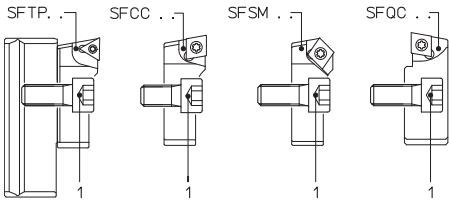
- SPARE PARTS
- ЗАПАСНЫЕ ЧАСТИ
- CZĘŚCI ZAMIENNE
- NÁHRADNÍ DÍLY
- YEDEK PARÇALAR

P 20.30



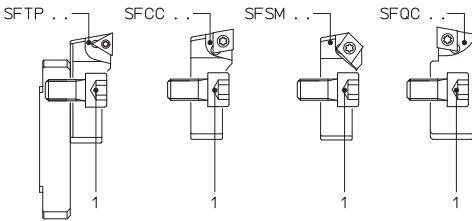
REF.	CODE 1
P20.30	100251080008

PS



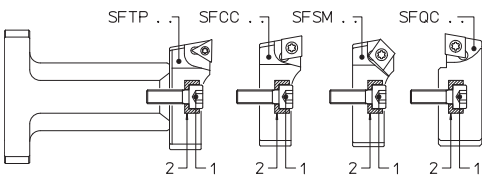
REF.	CODE 1
PS 11.30	100051100018
PS 12.30	
PS 13.30	
PS 11.40	100051100025
PS 12.40	
PS 13.40	
PS 14.40	

PS



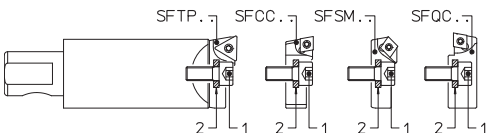
REF.	CODE1
PS31.24	100051100020
PS31.28	100051100025
PS32.28	
PS33.28	

P 22.28



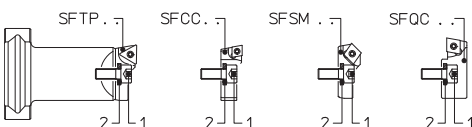
REF.	CODE 1	CODE 2
P22.28	100051060020	201040607001

P 25



REF.	CODE 1	CODE 2
P25.63	100051050012	100800100530
P25.105		

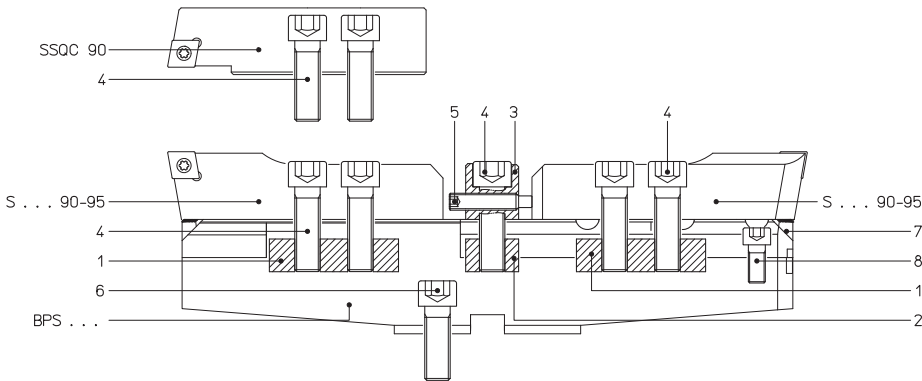
P



REF.	CODE 1	CODE 2
P 00.30	100051050012	100800100530
P 03.30		
P 04.30		
P 02.40	100051060018	100800100640
P 03.40		
P 04.40		

- SPARE PARTS
- ЗАПАСНЫЕ ЧАСТИ
- CZĘŚCI ZAMIENNE
- NÁHRADNÍ DÍLY
- YEDEK PARÇALAR

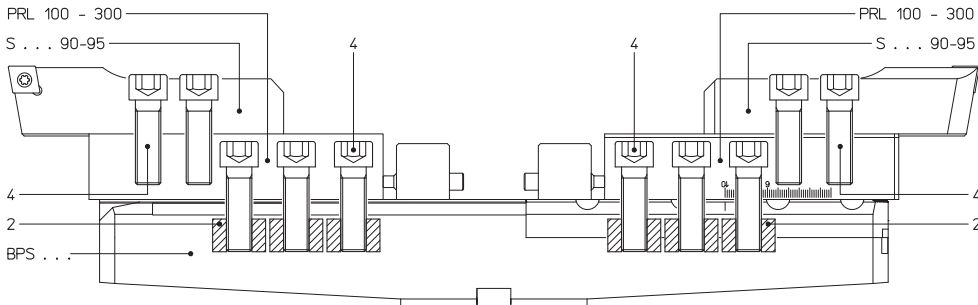
BPS



REF.	CODE 1	CODE 2	CODE 3	CODE 4
BPS 200-300-400	201430110017	201430110016	201100502601	100051120040
BPS 500-600-700-800				
BPS 1000-1150-1600 GD				

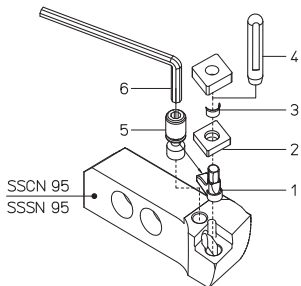
REF.	CODE 5	CODE 6	CODE 7	CODE 8
BPS 200	100251080040	100051120035	200655015707	100051080025
BPS 300			200655015708	
BPS 400		100051160050	200655016301	100051080020
BPS 500-600-700-800				100051080025
BPS 1000-1150-1600 GD				100051080030
BPS 1600 GD				

BPS + PRL 100 - 300



REF.	CODE 2	CODE 4
BPS 200-300-400	201430110016	100051120040
BPS 500-600-700-800		
BPS 1000-1150-1600 GD		

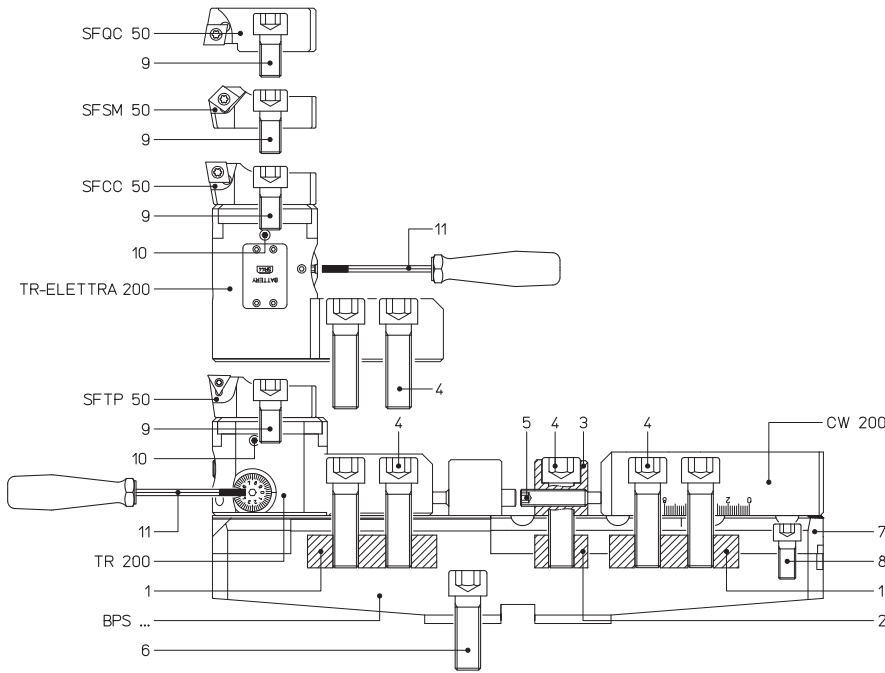
SS 95



REF.	CODE 1	CODE 2	CODE 3	CODE 4	CODE 5	CODE 6
SSCN 95	491111190600	492031190600	100655095112	101501301408	494311190600	101500100400
SSSN 95		492035190600				



- SPARE PARTS
- ЗАПАСНЫЕ ЧАСТИ
- CZĘŚCI ZAMIENNE
- NÁHRADNÍ DÍLY
- YEDEK PARÇALAR

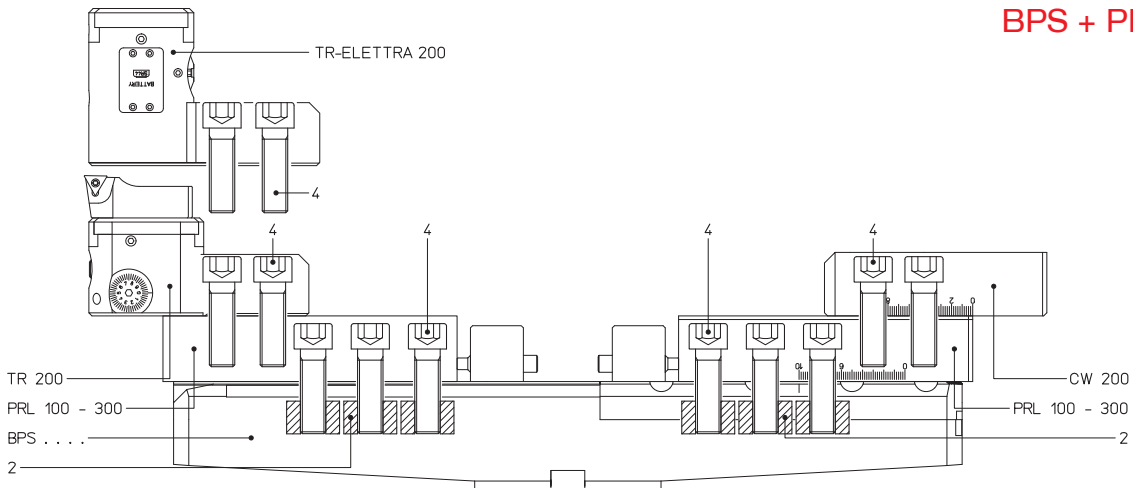


REF.	CODE 1	CODE 2	CODE 3	CODE 4	CODE 5
BPS 200-300-400	201430110017	201430110016	201100502601	100051120040	100251080040
BPS 500-600-700-800					
BPS 1000-1150-1600 GD					

REF.	CODE 6	CODE 7	CODE 8
BPS 200	100051120035	200655015707	100051080025
BPS 300		200655015708	
BPS 400		200655016301	100051080020
BPS 500-600-700-800			100051080025
BPS 1000-1150-1600 GD			100051080030
BPS 1600 GD			

REF.	CODE 9	CODE 10	CODE 11
BPS 200-300-400	100051100020	100251060008	101500800300
BPS 500-600-700-800			
BPS 1000-1150-1600 GD			

BPS + PRL 100 - 300



REF.	CODE 2	CODE 4
BPS 200-300-400	201430110016	100051120040
BPS 500-600-700-800		
BPS 1000-1160-1600 GD		

- CHUCKING TOOLS
- АДАПТОРЫ
- ADAPTERY
- UPÍNACÍ NÁSTROJE
- TORNA AYNALARI



GB Complete program of modular chucking tools with MHD' arbor that meets several milling, drilling and tapping needs.

RU Полная программа модульных адаптеров D'Andrea с держателем MHD', для фрезерования, сверления и нарезания резьбы.

PL Kompletny program adapterów modułowych firmy D'Andrea, który spełnia wymagania procesów związanych z frezowaniem, wierceniem i gwintowaniem.

CZ Úplný program modulárních upínacích nástrojů s hřídelí MHD, který zajišťuje několik potřeb pro frézování, vrtání a řezání závitů.

TR Pek çok farklı frezeleme, delme ve diş açma ihtiyaçlarını karşılayan MHD malafalı modüler torna aynalarından oluşan komple program.



- INDEX
- СОДЕРЖАНИЕ
- SPIS TREŚCI
- REJSTRIK
- DİZİN

CHUCKING TOOLS

- PE.** Collet chucks to DIN 6499 - ER 11, ER 16, ER 20, ER 25, ER 32, ER 40.
MHD' FORCE. Ultra-light toolholder FORCE.
AW. Combi-toolholders Weldon (DIN 1835 B) and Whistle Notch (DIN 1835 E).
PF. Universal milling cutter-holders for disc cutters and facing cutters.
CM. Toolholders with internal morse taper for tools with thread to DIN 228-A and tang to DIN 228-B.
AM. Tapping chuck holders for high production thread cutting.
B16. Drill chuck-holders with internal taper B16 to DIN 238.
NS. Semi-finished toolholders for special tools with hardened and ground.
ACR/NC. Coolant chucking tools NC.
ACR. Coolant chucking tools

АДАПТОРЫ

- PE.** Цанговые эластичные адапторы DIN 6499 - ER 11, ER 16, ER 20, ER 25, ER 32, ER 40.
MHD' FORCE. Сверхжесткие адапторы FORCE.
AW. Комбинированные адапторы Weldon (DIN 1835 B) и Whistle Notch (DIN 1835 E).
PF. Универсальные фрезерные оправки для дисковых и торцовых фрез.
CM. Комбинированные адапторы для внутреннего конуса морзе с нарезным отверстием DIN 228-A или с лапкой DIN 228-B.
AM. Держатели под резьбонарезные патроны для высокопроизводительного нарезания резьбы.
B16. Адапторы для сверлильных патронов с внутренним конусом B16 по DIN 238.
NS. Адапторы-полуфабрикаты для нестандартных инструментов.
ACR/NC. Оснастка для подвода СОЖ NC.
ACR. Оснастка для подвода СОЖ.

ADAPTERY

- PE.** Końcówki narzędziowe z wyjściem pod tulejki rozprężne zgodne z DIN 6499 - typ ER 11, ER 16, ER 20, ER 25, ER 32, ER 40.
MHD' FORCE. Końcówki narzędziowe o dużej precyzji i sile zacisku.
AW. Końcówki narzędziowe do mocowania narzędzi z chwytem WELDON (DIN 1835 B) i Whistle Notch (DIN 1835 E).
PF. Końcówki narzędziowe do mocowania głowic frezowych i frezów tarczowych.
CM. Końcówki narzędziowe do mocowania narzędzi ze stożkami Morse'a zarówno z gwintem (DIN 228 A), jak i z pletwą (DIN 228 B).
AM. Końcówki narzędziowe do mocowania gwintowników. Posiadają kompensację osiową.
B16. Końcówki narzędziowe do mocowania uchwytów wiertarskich.
NS. Półwyroby do produkcji narzędzi specjalnych. Posiadają wykonane złącza MHD.
ACR/NC. Adaptery do doprowadzenia chłodzenia. Wersja pod wymianę automatyczną.
ACR. Adaptery do doprowadzenia chłodzenia. Wersja pod wymianę manualną.

UPÍNAČÍ NÁSTROJE

- PE.** Pouzdrové upínací nástroje dle DIN 6499 - ER 11, ER 16, ER 20, ER 25, ER 32, ER 40.
MHD' FORCE. Velmi pevný nástrojový držák FORCE.
AW. Kombi nástrojové držáky Weldon (DIN 1835 B) a Whistle Notch (DIN 1835 E).
PF. Univerzální frézovací držáky pro diskové frézy a frézy pro čelní soustružení.
CM. Nástrojové držáky s interním kuželem Morse pro nástroje se závitem dle DIN 228-A a tang dle DIN 228-B.
AM. Kuželové upínací držáky pro řezání závitů s vysokou přesností.
B16. Upínací držáky na vrtání s interním kuželem B16 dle DIN 238.
NS. Rozpracované nástrojové držáky pro speciální nástroje s tvrzením a broušením.
ACR/NC. Upínací nástroje chladiwa NC.
ACR. Upínací nástroje chladiwa.

TORNA AYNALARI

- PE.** DIN 6499 - ER 11, ER 16, ER 20, ER 25, ER 32, ER 40 standartlarına uygun pens adaptörleri.
MHD' FORCE. Ultra hafif takım tutucu FORCE.
AW. Weldon (DIN 1835 B) ve Whistle Notch (DIN 1835 E) kombine takım tutucular.
PF. Disk kesiciler ve diş yüzey kesiciler için üniversal frezeleme kesicisi tutucuları.
CM. DIN 228-A ve DIN 228-B standardında dişlere sahip takımlar için dahili mors konikli takım tutucular.
AM. Yüksek üretimli dişli kesme için diş açma mandreni tutucuları.
B16. B16 - DIN 238 DAHİLİ KONIKLI TORNA KAFASI TUTUCULAR.
NS. Sertleştirilmiş özel takımlar için yarı mamul takım tutucular.
ACR/NC. Soğutma sıvılı tornalama takımları NC.
ACR. Soğutma sıvılı tornalama takımları.

p. 130 • PE



p. 130 • MHD FORCE



p. 131 • AW



p. 132 • PF



p. 133 • CM



p. 134 • AM



p. 134 • B16



p. 134 • NS



p. 135 • ACR/NC



p. 135 • ACR

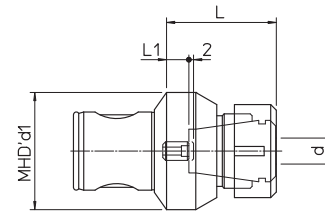


- CHUCKING TOOLS
- АДАПТОРЫ
- ADAPTERY
- UPÍNACÍ NÁSTROJE
- TORNA AYNALARI



- COLLETS CHUCKING TOOLS
- ЦАНГОВЫЕ ЭЛАСТИЧНЫЕ АДАПТОРЫ
- KOŃCÓWKI NARZĘDZIOWE DO ELASTYCZNYCH TULEI ZACISKOWYCH
- ROUZDROVÉ UPÍNACÍ NÁSTROJE
- FREZE ÇAKILI TORNA KAFASI TAKIMLARI

ER DIN 6499

PE

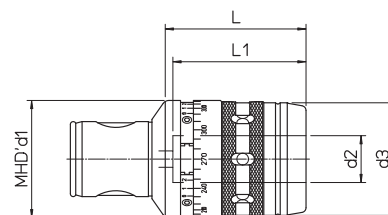


- Supplied without collets and clamping wrenches
- Цанги и зажимные ключи в комплект поставки не входят
- Elastyczne tuleje zaciskowe i klucze montażowe nie są na wyposażeniu
- Dodává se bez pouzder a upínacích klíčů
- Freze çakıları ve sıkıştırma anahtarları olmadan teslim edilir

REF.	CODE	MHD' d ₁	d	L	L ₁	kg			N·m
PE 16 / ER11M	655701600110	16	0.5 ~ 7	25	2.5	0.03	ER-11M	E11M	30
PE 20 / ER16M	655702000160	20	0.5 ~ 10	32	1	0.06	ER-16M	E16M	40
PE 25 / ER20M	655702500200	25	1 ~ 13	40	2.5	0.15	ER-20M	E20M	80
PE 32 / ER25M	655703200250	32	1 ~ 16	42	1.5	0.25	ER-25M	E25M	160
PE 40 / ER25	655704000250	40		45	5	0.4	UM/ER25	E25	200
PE 50 / ER25	655705000250	50	2 ~ 20	48	7	0.7	UM/ER25	E25	200
PE 50 / ER32	655705000320			55	8	1			
PE 63 / ER32	655706300320	63	3 ~ 26	59	12	1.3	UM/ER32	E32	220
PE 63 / ER40	655706300400			64		1.5			

- ULTRA-TIGHT TOOLHOLDER FORCE
- СВЕРХЖЕСТКИЕ АДАПТОРЫ FORCE
- KOŃCÓWKI NARZĘDZIOWE O DUŻEJ SILE ZACISKU FORCE
- VELMI PEVNÝ NÁSTROJOVÝ DRŽÁK FORCE
- ULTRA HAFIF TAKIM TUTUCU FORCE

MHD' FORCE



- Supplied without collets and clamping wrenches
- Цанги и зажимные ключи в комплект поставки не входят
- Elastyczne tuleje zaciskowe i klucze montażowe nie są na wyposażeniu
- Dodává se bez pouzder a upínacích klíčů
- Freze çakıları ve sıkıştırma anahtarları olmadan teslim edilir

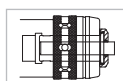
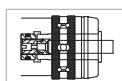
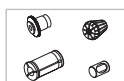
REF.	CODE	MHD' d ₁	d ₂	d ₃	L	L ₁	kg
FORCE 50/20 HS	656305000205	50	20	48	60	60	1
FORCE 63/32 HS	656306300325	63	32	66	80	80	2

120-136

241-242

222

222



- CHUCKING TOOLS
- АДАПТОРЫ
- ADAPTERY
- UPÍNACÍ NÁSTROJE
- TORNA AYNALARI

- WELDON WHISTLE NOTCH CHUCKING TOOLS
- АДАПТОРЫ WELDON WHISTLE NOTCH
- KOŃCÓWKI NARZĘDZIOWE WELDON WHISTLE NOTCH
- UPÍNACÍ NÁSTROJE WELDON WHISTLE NOTCH
- WELDON WHISTLE NOTCH TORNA KAFASI TAKIMLARI

DIN 1835 B-E

AW

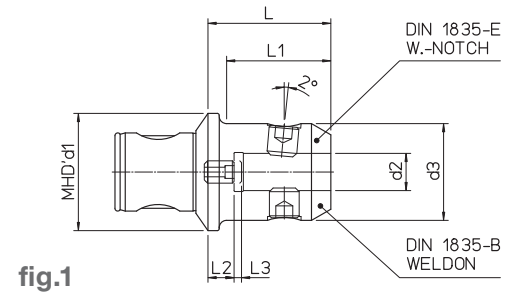


fig.1

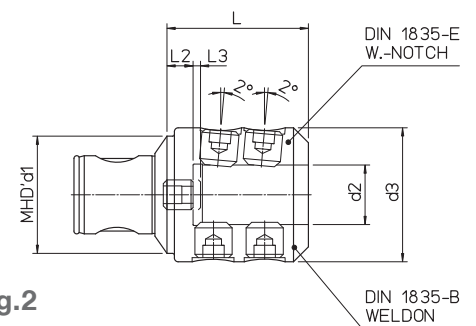


fig.2

REF.	CODE	MHD' d1	d2 ^{H5}	d3	L	L1	L2	L3	kg	fig.
AW 50/6	655805000060	50	6	25	44	32.5	7	2	0.5	1
AW 50/8	655805000080		8	28		33				
AW 50/10	655805000100		10	35		42				
AW 50/12	655805000120		12	42		48				
AW 50/14	655805000140		14	48	57	11	3	0.8		
AW 50/16	655805000160		16	48	61					
AW 50/20	655805000200		20	51	67	-	16	1.2		
AW 50/25	655805000250		25	63	80	-	22	1.8	2	
AW 63/16	655806300160	63	16	48	64	53	14	4	1.4	1
AW 63/20	655806300200		20	52	66	56			1.5	
AW 63/25	655806300250		25	64	74	-			16	2.1
AW 63/32	655806300320		32	72	76	-	14	2.5	2	
AW 80/40	655808000400		80	40	80	83	-	12		3.2



- CHUCKING TOOLS
- АДАПТОРЫ
- ADAPTERY
- UPÍNACÍ NÁSTROJE
- TORNA AYNALARI

- DISC AND FACING CUTTER HOLDERS
- ФРЕЗЕРНЫЕ ОПРАВКИ ДЛЯ ДИСКОВЫХ И ТОРЦОВЫХ ФРЕЗ
- KOŃCÓWKI NARZĘDZIOWE DO FREZÓW TARCZOWYCH I CZOŁOWYCH
- DRŽÁKY DISKOVÝCH A ČELNÍCH FRÉZ
- DISK VE DIŞ YÜZEY KESİCİ TUTUCULARI

PF

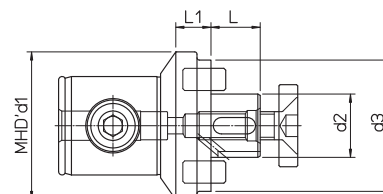
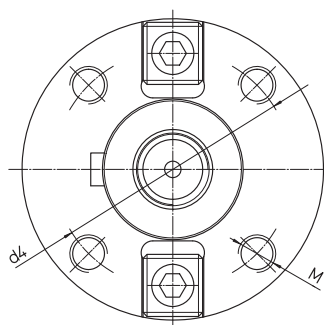
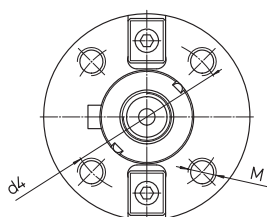


fig.1

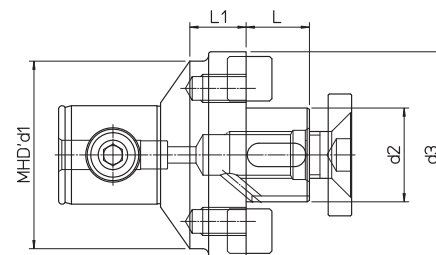


fig.2

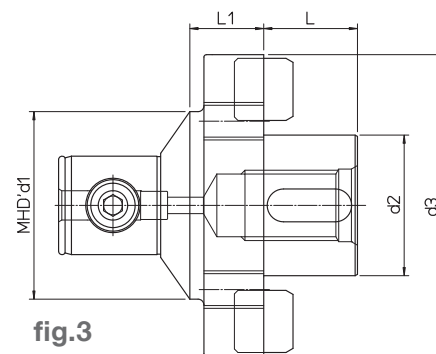


fig.3

REF.	CODE	MHD' d1	d2	d3	d4	M	L	L1	kg	fig.
PF 40/16	655904020165	40	16	32	-	-	17	15	0.3	1
PF 40/22	655904020225		22	40			19	13	0.4	
PF 50/16	655905000160	50	16	32			17	15	0.5	
PF 50/22	655905000220		22	40			19		0.6	
PF 50/27	655905000270		27	50			21		0.7	
PF 50/32	655905000320		32	60			24		0.9	
PF 63/22	655906300220	63	22	60			19	24	1.1	
PF 63/27	655906300270		27	63			21		1.2	
PF 63/32	655906300320		32	80			24		1.7	
PF 80/32	655908000320	80	32	80			66.7	M12	27	
PF 80/40	655908000400		40	84	-	-	30	2.0		
PF 80/50	655908000500		50	90	101.6	M16	40	31.5	3.5	3
PF 80/60	655908000600		60	128.5	101.6	M16	40	36	6	3
PF 110/40	655911000400	110	40	88	66.7	M12	27	20	4.2	2
PF 110/60	655911000600		60	128.5	101.6	M16	40	26	6	3
PF 140/40	655914000400	140	40	88	66.7	M12	27	26	6.2	2
PF 140/60	655914000600		60	140	101.6	M16	40		7.8	3

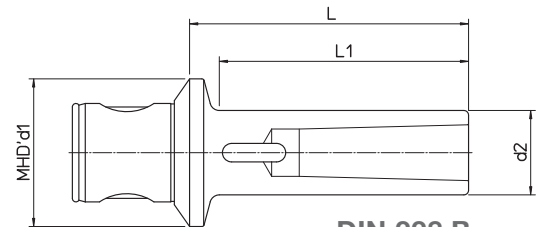


- CHUCKING TOOLS
- АДАПТОРЫ
- ADAPTERY
- UPÍNACÍ NÁSTROJE
- TORNA AYNALARI

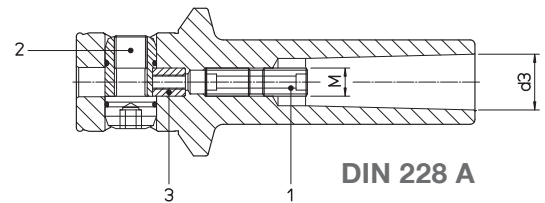
- MORSE TAPER CHUCKING TOOLS
- АДАПТОРЫ ДЛЯ ВНУТРЕННЕГО КОНУСА MORSE
- KOŃCÓWKI NARZĘDZIOWE DO STOŻKA MORSE'A
- UPÍNACÍ NÁSTROJE S KUŽELEM
- MORS KONIK TORNA AYNASI TAKIMLARI

DIN 228 A-B

CM



DIN 228 B



DIN 228 A

REF.	CODE	MHD' d ₁	MORSE	d ₂	d ₃	L	L ₁	M	kg
CM 50/1	656005000010	50	1	20	12.065	80	68	M6	0.6
CM 50/2	656005000020		2	30	17.780	100	86	M10	0.7
CM 50/3	656005000030		3	36	23.825	120	110	M12	1
CM 63/3	656006300030	63					108		1.3
CM 63/4	656006300040		4	48	31.267	150	133	M16	2

BB MT DIN 228-A. To chuck a morse taper tool with thread proceed as follows:

a. Drive in screw 1; b. Remove expanding pin 2 and sleeve 3 to allow the Allen wrench to be introduced from the rear; c. Fit the tool and tighten screw 1 clockwise; d. Reassemble expanding pin 2 and sleeve 3.

MT DIN 228-B. To chuck a morse taper tool with tang remove screw. 1. Combi-chucking tools for morse taper with DIN 228-A thread bore and with DIN 228-B tooth.

RU CM DIN 228-A. Чтобы установить инструмент с внутренним конусом Морзе с нарезным отверстием, необходимо: а. Установить винт 1, путем внутреннего затягивания. б Удалить расширяемый штифт 2 и втулку 3 чтобы обеспечить тыловой проход шестигранного ключа; с. Установить инструмент и затянуть винт 1 по часовой стрелке 1; d. Установить повторно втулку 3 и расширяемый штифт 2.

CM DIN 228-B. Перед тем, как установить инструмент на конус Морзе с шипом, необходимо: удалить винт 1. Комбинированные адаптеры для внутреннего конуса морзе с нарезным отверстием DIN 228-A и с лапкой DIN 228-B.

PL CM DIN 228-A. W celu zamontowania narzędzia stożkowego Morse'a z uchwytem gwintowanym należy: a. Całkowicie dokręcić śrubę 1; b. Wyjąć sworzeń rozprężny 2 oraz tuleję 3, umożliwiając w ten sposób wejście klucza sześciokątne od tyłu; c. Zamontować narzędzie, po czym śrubę 1 dokręcić w kierunku zgodnym z ruchem wskazówek zegara; d. Ponownie zamontować tuleję 3 oraz sworzeń rozprężny 2.

CM DIN 228-B. Przed montażem narzędzia stożkowego Morse'a z czopem należy wyjąć śrubę 1. Adaptery zestawiane ze stożkiem Morse'a z otworem gwintowanym DIN 228-A i zębem DIN 228-B.

CZ MT DIN 228-A. Při upínání nástroje s kuželem morse se závitem postupujte následovně: a. Utáhněte šroub 1; b. Vyndejte rozšiřující kolík 2 a pouzdro 3 a tím umožníte přístup imbusového klíče zezadu; c. Nasadte nástroj a utáhněte šroub 1 ve směru hodinových ručiček; d. Opětovně instalujte rozšiřující kolík 2 a pouzdro 3.

MT DIN 228-B. Při upínání nástroje s kuželem morse s tang vyndejte šroub. 1. Kombi-upínací nástroje pro kužel morse se závitovým otvorem DIN 228-A a zubem DIN 228-B.

TR MT DIN 228-A. Dişli bir mors konik takımında torna açmak için şunları yapın: a. Vidayı takın 1; b. Alyan anahtarının arkadan sokulabilmesi için genişletme pimi 2 ile manşonu 3 sökün; c. Aleti takın ve vidayı 1 saat yönünde çevirin; d. Genişletme pimi 2 ile manşonu 3 yeniden takın.

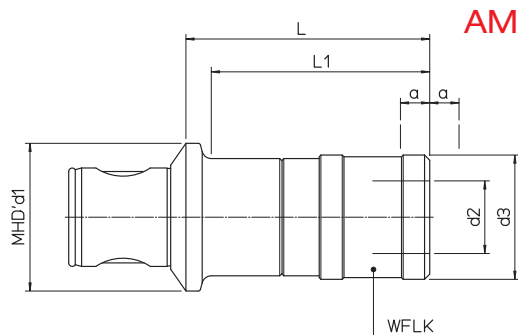
MT DIN 228-B. Tespit vidalı bir mors konik takımında torna açmak için şunları yapın: 1. DIN 228-A dış çaplı ve DIN 228-B dişli mors konik için kombine torna aynası takımları.

120-137



- CHUCKING TOOLS
- АДАПТОРЫ
- ADAPTERY
- UPÍNACÍ NÁSTROJE
- TORNA AYNALARI

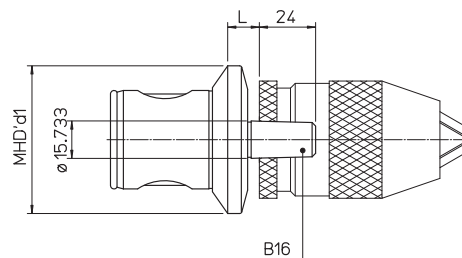
- TAPPING CHUCK HOLDERS
- ДЕРЖАТЕЛИ ПОД РЕЗЬБОНАРЕЗНЫЕ ПАТРОНЫ
- ADAPTERY DO GWINTOWANIA
- KUŽELOVÉ UPÍNACÍ DRŽÁKY
- DIŞ AÇMA TORNA AYNASI TUTUCULARI



AM

REF.	CODE	MHD' d1	WFLK	Capacity	L	L1	d2	d3	a	kg
AM 50/M3-12	656505000100	50	WFLK 115B/A 308	M 3 ~ 12	72	60	19	36	7.5	0.9
AM 50/M8-20	656505000200		WFLK 225B/A 308	M 8 ~ 20	106	-	31	53	12.5	1.2
AM 63/M3-12	656506300100	63	WFLK 115B/A 308	M 3 ~ 12	70	58	19	36	7.5	1
AM 63/M8-20	656506300200		WFLK 225B/A 308	M 8 ~ 20	104	93	31	53	12.5	1.3

- DRILLING CHUCK HOLDERS B16 D238
- АДАПТОРЫ ДЛЯ ШПИНДЕЛЯ B16 D238
- KOŃCÓWKI NARZĘDZIOWE DO UCHWYTU B16 D238
- VRTACÍ UPÍNACÍ DRŽÁKY B16 D238
- MATKAP AYNASI TUTUCULARI B16 D238

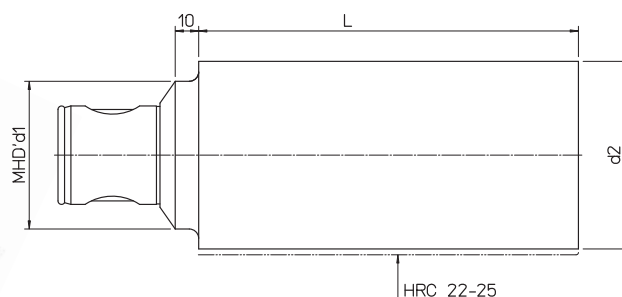


B16

- Drilling chuck holders with B16 DIN 238 thread.
- Адапторы для сверлильных патронов с внутренним конусом b16 по din 238.
- KOŃCÓWKI NARZĘDZIOWE do opravek końcówek z uchwytem B16 DIN 238.
- Vrtací upínací držáky se závitem B16 D238.
- B16 DIN 238 dişli matkap aynasi tutucular.

REF.	CODE	MHD' d1	L	kg
B 50/16	656105000160	50	10	0.4
B 63/16	656106300160	63	13.5	0.8

- SEMIFINISHED CHUCK HOLDERS
- АДАПТОРЫ-ПОЛУФАБРИКАТЫ
- KOŃCÓWKI NARZĘDZIOWE - PÓŁPRODUKTY
- ROZPRACOVANÉ UPÍNACÍ DRŽÁKY
- YARI MAMUL TORNA AYNASI TUTUCULAR



NS

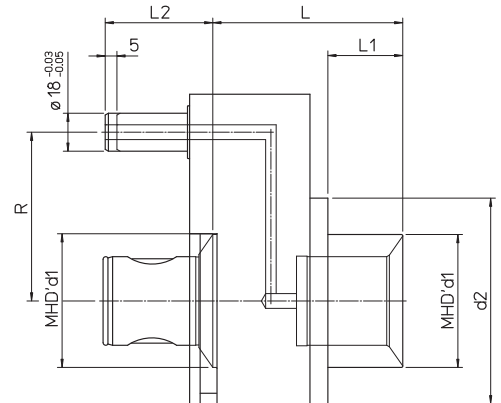
REF.	CODE	MHD' d1	d2	L	kg
NS 50	657205001600	50	63	160	4.2
NS 63	657206302000	63	80	200	8.7
NS 80	657208002500	80	100	250	16
NS 110	657211002500	110	130		18
NS 140	657214002500	140	150		30



- CHUCKING TOOLS
- АДАПТОРЫ
- ADAPTERY
- UPÍNACÍ NÁSTROJE
- TORNA AYNALARI

- COOLANT CHUCKING TOOLS NC
- АДАПТОРЫ ДЛЯ ХЛАДАГЕНТА NC
- ADAPTERY UMOŻLIWIAJĄCE DOPROWADZENIE CIECZY CHŁODZĄCEJ NC
- UPÍNACÍ NÁSTROJE CHLADIVA NC
- SOĞUTMA SIVILI TORNA AYNASI TAKIMLARI NC

ACR/NC

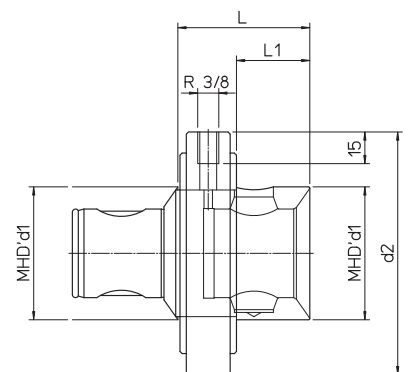


- **Important note.** Activate the coolant before the chuck rotation not to damage internal gaskets.
- **Внимание.** Использовать хладагент ДО НАЧАЛА ВРАЩЕНИЯ штифта, во избежание повреждения внутренних уплотнений.
- **Uwaga.** Ciecz chłodząca należy wprowadzić w obieg przed pierwszym obrotem uchwytu. Uniknie się w ten sposób uszkodzenia uszczelek wewnętrznych.
- **Důležitá poznámka.** Abyste nepoškodili interní těsnění, aktivujte chladivo ještě před rotací při upínání.
- **Önemli not.** İç contalara hasar vermemek için, ayna dönüşünden önce soğutma sıvısını etkinleştirin.

REF.	CODE	MHD' d ₁	R	d ₂	L	L ₁	L ₂	RPM max	BAR	kg
ACR/NC 50/50	656705000501	50	65	80	72	28.5	43	7000	max 10	1.9
ACR/NC 50/50	656705000500		80							2.5
ACR/NC 63/63	656706300630	63	80	100	88	37	51	5600		5

- COOLANT CHUCKING TOOLS
- АДАПТОРЫ ДЛЯ ХЛАДАГЕНТА
- ADAPTERY UMOŻLIWIAJĄCE DOPROWADZENIE CIECZY CHŁODZĄCEJ
- UPÍNACÍ NÁSTROJE CHLADIVA
- SOĞUTMA SIVILI TORNA AYNASI TAKIMLARI

ACR



- **Important note.** Activate the coolant before the chuck rotation not to damage internal gaskets.
- **Внимание.** Использовать хладагент ДО НАЧАЛА ВРАЩЕНИЯ штифта, во избежание повреждения внутренних уплотнений.
- **Uwaga.** Ciecz chłodząca należy wprowadzić w obieg przed pierwszym obrotem uchwytu. Uniknie się w ten sposób uszkodzenia uszczelek wewnętrznych.
- **Důležitá poznámka.** Abyste nepoškodili interní těsnění, aktivujte chladivo ještě před rotací při upínání.
- **Önemli not.** İç contalara hasar vermemek için, ayna dönüşünden önce soğutma sıvısını etkinleştirin.

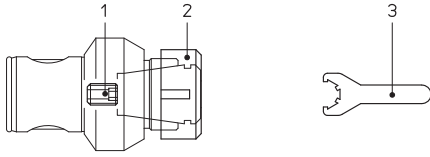
REF.	CODE	MHD' d ₁	d ₂	L	L ₁	RPM max	BAR	kg
ACR 63/63	656706310630	63	115	63	35	3500	max 10	2.9



- ACCESSORIES AND SPARE PARTS
- ЗАПАСНЫЕ ЧАСТИ
- CZĘŚCI ZAMIENNE
- NÁHRADNÍ DÍLY
- YEDEK PARÇALAR

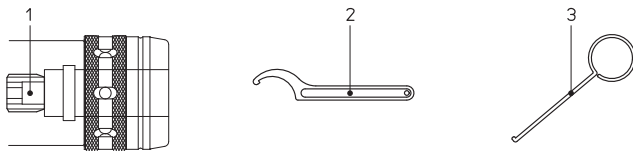
ER DIN 6499

PE



REF.	CODE 1	CODE 2	CODE 3
PE 16 / ER11M	200100190403	100451011100	101501001100
PE 20 / ER16M		100451011600	101501001600
PE 25 / ER20M	200100190506	100451012000	101501002000
PE 32 / ER25M	200100190608	100451012500	101501002500
PE 40 / ER25	200100190808	100451032500	101501002501
PE 50 / ER25		100451033200	101501003201
PE 50 / ER32			
PE 63 / ER32	200100191014		
PE 63 / ER40	200100191214	100451034000	101501004001

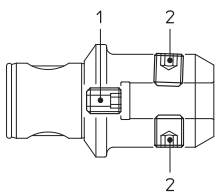
FORCE



REF	CODE 1	CODE 2	CODE 3
FORCE 12	200100191014	101500400028	201271600400
FORCE 20	200100191615	101500400050	
FORCE 32		101500400075	

DIN 1835 B-E

AW

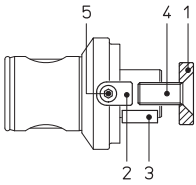


REF.	CODE 1	CODE 2
AW 50/6	200100190808	200100190610
AW 50/8		200100190810
AW 50/10		200100191012
AW 50/12		200100191216
AW 50/14	200100191215	200100191416
AW 50/16		200100191616
AW 50/20	200100191615	200100191820
AW 50/25	200100191215	200100191416
AW 63/16		200100191616
AW 63/20		200100191820
AW 63/25	200100191615	200100191820
AW 63/32		
AW 80/40	200100192019	200100192020



- ACCESSORIES AND SPARE PARTS
- ЗАПАСНЫЕ ЧАСТИ
- CZĘŚCI ZAMIENNE
- NÁHRADNÍ DÍLY
- YEDEK PARÇALAR

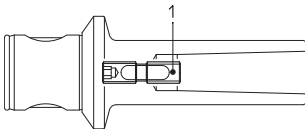
PF



REF.	CODE 1	CODE 2	CODE 3	CODE 4	CODE 5
PF 50/16 PF 40/16	201010085010	201101800801	101001040014	100101080025	100051030008
PF 50/22 PF 40/22	201010105030	201101801002	101001060016	100101100025	100051040010
PF 50/27	201010125030	201101801202	101001070018	100101120030	100051050012
PF 50/32	201010165020	201101801402	101001080020	100101160035	100051060016
PF 63/22	201010105030	201101801002	101001060016	100101100025	100051040010
PF 63/27	201010125030	201101801202	101001070018	100101120030	100051050012
PF 63/32	201010165020	201101801402	101001080020	100101160035	100051060016
PF 80/32					
PF 80/40	201010210010	201101801603	101001100025	100101200045	100051060018
PF 80/50	201010260330	201101801802	101001120028	100101240050	100051060020
PF 80/60	-	201101802510	101001140036	-	100051120025
PF 110/40	201010210010	201101801603	101001100025	100101200045	100051060018
PF 110/60	-	201101802510	101001140036	-	100051120025
PF 140/40	201010210010	201101801603	101001100025	100101200045	100051060018
PF 140/60	-	201101802510	-	-	100051120025

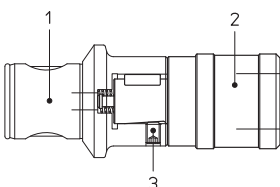
DIN 228 A

CM



REF.	CODE 1
CM 50/1	201081506003
CM 50/2	201081510002
CM 50/3	201081512004
CM 63/3	
CM 63/4	201081516001

AM



REF.	REF. 1	CODE 1	REF. 2	CODE 2	CODE 3
AM 50/M3-12	RAM 50/M3-12	456505000100	WFLK 115B/A 308	495090010312	100231060008
AM 50/M8-20	RAM 50/M8-20	456505000200	WFLK 225B/A 308	495090020820	100231080012
AM 63/M3-12	RAM 63/M3-12	456506300100	WFLK 115B/A 308	495090010312	100231060008
AM 63/M8-20	RAM 63/M8-20	456506300200	WFLK 225B/A 308	495090020820	100231080012



*PSC Modularity
and high precision*



- ARBORS
- ДЕРЖАТЕЛИ
- PODSTAWOWE UCHWYTY NARZĘDZIOWE
- HŘÍDELE
- MALAFALAR

p.140 • **HSK-A / PSC**
DIN 69893 / ISO 26623-2



p.140 • **DIN-AD / PSC**
DIN 69871 / ISO 26623-2



p.140 • **DIN-AD+B / PSC**
DIN 69871 / ISO 26623-2



p.141 • **CAT-AD+B / PSC**
ANSI B5.50 / ISO 26623-2



p.141 • **BT / PSC**
MAS 403 BT / ISO 26623-2



p.141 • **BT-AD+B / PSC**
MAS 403 BT / ISO 26623-2



p.142 • **PSC - MHD'**
ISO 26623-1



- EXTENSIONS REDUCTIONS
- УДЛИНИТЕЛИ И ПЕРЕХОДНИКИ
- PRZEDŁUŻKI REDUKCJE
- PRODLOUŽENÍ REDUKCE
- UZATMALAR ÇAP DÜŞÜRÜCÜLER

p.143 • **PR / PSC**
ISO 26623-1 / 2



p.143 • **RD / PSC**
ISO 26623-1 / 2



p.149-153-157 • **SF. .**
p.163-167-171



p.148-152-156-162 • **PS 31**



p.148-152-156-162 • **CW 32**



p.149-153-157 • **P25**
p.163-167



p.153-157 • **P22**



p.165-169 • **P20.30**



p.166-170 • **PS**



p.167-171 • **P**



p.147-151-155 • **B. .**
p.161-165-169



- TESTAROSSA

p.144-149 • **TR-E50 PSC 50** • **KIT K01**
Ø 2.5-110 Ø 6 - 110



p.150-153 • **TR-E63 PSC 63** • **KIT K01**
Ø 6 - 125 Ø 6 - 125



p.154-157 • **TR-E80 PSC 80** • **KIT K01**
Ø 6 - 200 Ø 6 - 200



p.158-163 • **TR 50 PSC 40**
• **TR 50 PSC 50**
• **TR 50 PSC 63** • **KIT K01**
Ø 2.5 - 108 Ø 6 - 108



p.164-167 • **TR 63 PSC 63** • **KIT K01**
Ø 2.5 - 125 Ø 6 - 125



p.168-171 • **TR 80 PSC 80** • **KIT K01**
Ø 2.5 - 160 Ø 6 - 220



p.172 • **PSC-PF**
ISO 26623-1



p.179 • **PSC-MF** • **KIT K01** • **KIT K01**
ISO 26623-1 PSC 63 ISO 26623-1 PSC 80
ISO 26623-1 ISO 26623-1



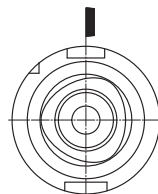
p.214-215 • **PSC 63-80 CT**
ISO 26623-1



p.230 • **MCD' PSC**
ISO 26623-1

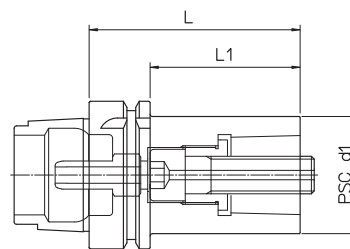


- Supplied with coolant tube
- Имеется соединение для хладагента
- Komplet złączek do cieczy chłodzącej
- Dodávané s chladičím potrubím
- Soğutma sıvısı borusuyla tedarik edilir



HSK-A / PSC

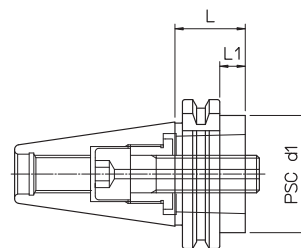
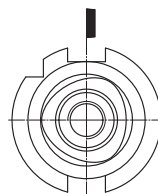
DIN 69893 / ISO 26623-2



HSK-A	REF.	CODE	PSC d1	L	L1	kg
63	HSK-A63 PSC 40.80	41PV04056320	40	80	54	1.1
	HSK-A63 PSC 50.90	41PV05056320	50	90	64	1.5
100	HSK-A100 PSC 50.100	41PV05059920	50	100	71	3
	HSK-A100 PSC 63.110	41PV06359920	63	110	81	3.6
	HSK-A100 PSC 80.120	41PV08059920	63	120	91	4.7
125	HSK-A125 PSC 80.130	41PV08059520	80	130	101	6.5

DIN-AD / PSC

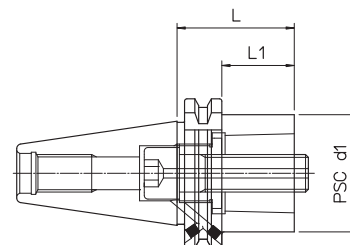
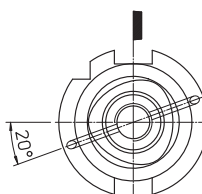
DIN 69871 / ISO 26623-2



DIN	REF.	CODE	PSC d1	L	L1	kg
40	DIN69871-A40 PSC 50.30	41PV05014020	50	30	11	0.8
50	DIN69871-A50 PSC 63.30	41PV06315020	63			2.5

DIN-AD+B / PSC

DIN 69871 / ISO 26623-2

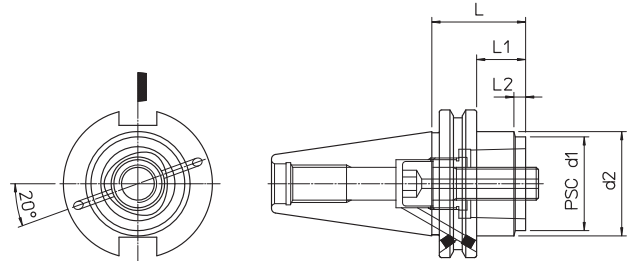


DIN	REF.	CODE	PSC d1	L	L1	kg
40	DIN69871-AD+B40 PSC 40.30	41PV04014021	40	30	11	0.8
	DIN69871-AD+B40 PSC 50.40	41PV05014029	50	40	21	0.9
	DIN69871-AD+B40 PSC 50.50	41PV05014021		50	31	1.1
50	DIN69871-AD+B50 PSC 50.30	41PV05015021	63	30	11	2.7
	DIN69871-AD+B50 PSC 63.30	41PV06315029		50	31	2.8
	DIN69871-AD+B50 PSC 63.50	41PV06315021	63		50	3
	DIN69871-AD+B50 PSC 80.70	41PV08015021	80	70	51	3.7



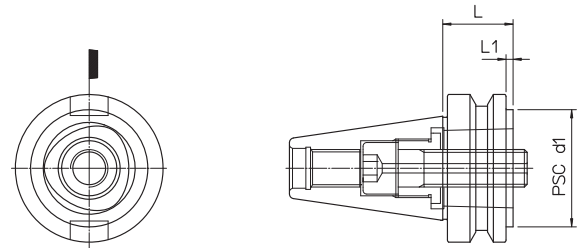
- ARBORS
- ДЕРЖАТЕЛИ
- PODSTAWOWE UCHWYTY NARZĘDZIOWE
- HŘÍDELE
- MALAFALAR

CAT-AD+B / PSC
ANSI B5.50 / ISO 26623-2



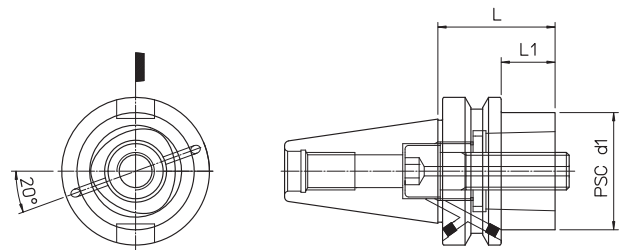
CAT	REF.	CODE	PSC d1	d2	L	L1	L2	M	kg
40	CAT40 AD+B PSC 40.40	41PV04014046	40	44.5	40	21	5	UNC 5/8-11	0.95
	CAT40 AD+B PSC 50.50	41PV05014046	50	-	50	31	-		1
50	CAT50 AD+B PSC 50.40	41PV05015046		63	69.9	40	21	5	UNC 1/8
	CAT50 AD+B PSC 63.50	41PV06315046	70		50	31	12.5	3	
	CAT50 AD+B PSC 80.100	41PV08015046	80	-	100	81	-	4.6	

BT / PSC
MAS 403 BT / ISO 26623-2



BT	REF.	CODE	PSC d1	L	L1	kg
40	MAS403 BT40 PSC 50.30	41PV05014030	50	30	3	0.9
50	MAS403 BT50 PSC 63.40	41PV06315030	63	40	2	3.3

BT-AD+B / PSC
MAS 403 BT / ISO 26623-2



BT	REF.	CODE	PSC d1	L	L1	kg
40	MAS403 BT40-AD+B PSC 40.30	41PV04014031	50	40	3	0.9
	MAS403 BT40-AD+B PSC 50.50	41PV05014031		50	23	1.2
50	MAS403 BT50-AD+B PSC 50.40	41PV05015031	63	40	2	3.4
	MAS403 BT50-AD+B PSC 63.50	41PV06315031		50	12	3.5
	MAS403 BT50-AD+B PSC 80.70	41PV08015031	80	70	32	4

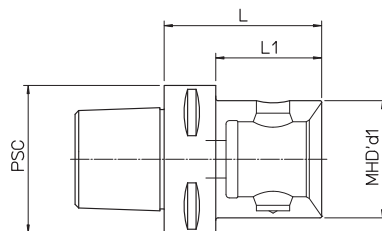


fig.1

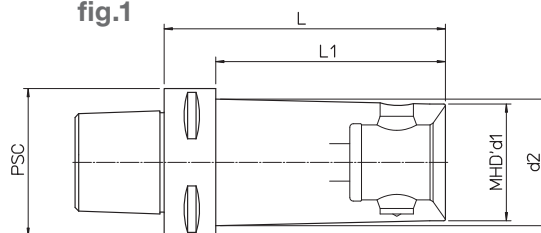


fig.2

PSC	REF.	CODE	MHD' d1	d2	L	L1	Kg.	fig.
40	PSC 40 - MHD' 32.42	416322604004	32	-	42	22	0.3	1
	PSC 40 - MHD' 40.45	416402604004	40		45	-	0.4	
50	PSC 50 - MHD' 50.55	416502605005	50	-	55	-	0.8	1
63	PSC 63 - MHD' 40.50	416402606305	40		44	50	28	
	PSC 63 - MHD' 40.120	416402606312	50	55		33	0.8	
	PSC 63 - MHD' 50.55	416502606305		54	67	45	1.1	1
	PSC 63 - MHD' 50.67	416502606306	120		98	1.9	2	
	PSC 63 - MHD' 50.120	416502606312	63	77	-	1.8		1
	PSC 63 - MHD' 63.77	416632606307		60	30	2		
80	PSC 80 - MHD' 50.60	416502608006	50	54	120	90	2.8	2
	PSC 80 - MHD' 50.120	416502608012			63	70	40	
	PSC 80 - MHD' 63.70	416632608007	67	150		120	4	2
	PSC 80 - MHD' 63.150	416632608015		80	75	-	2.6	
	PSC 80 - MHD' 80.75	416802608007	120		-	4.3		
100	PSC 100 - MHD' 80.80	416802610008	80	-	80	44	3.5	1
	PSC 100 - MHD' 80.120	416802610012			120	84	5	
		PSC 100 - MHD' 110.120	416912610012	110		120		

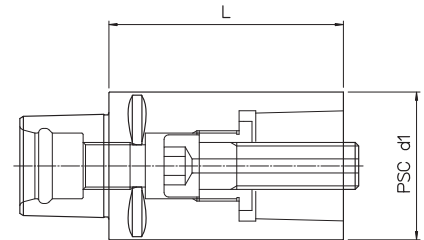


- EXTENSIONS
- УДИЛИННИТЕЛИ
- PRZEDŁUŻKI
- NÁSTAVCE
- UZATMALAR



PR PSC
ISO 26623-1 / 2

143

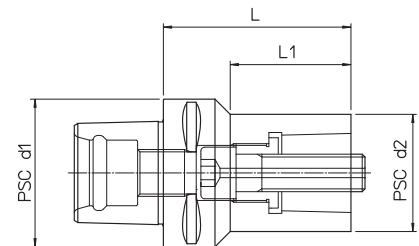


REF.	CODE	PSC d1	L	kg
PR PSC 32.60	656PV03206000	32	60	0.35
PR PSC 32.80	656PV03208000		80	0.45
PR PSC 40.60	656PV04006000	40	60	0.55
PR PSC 40.80	656PV04008000		80	0.7
PR PSC 40.100	656PV04010000		100	0,9
PR PSC 50.80	656PV05008000	50	80	1.1
PR PSC 50.100	656PV05010000		100	1.4
PR PSC 63.100	656PV06310000	63	100	2.2
PR PSC 63.140	656PV06314000		140	3.2
PR PSC 80.100	656PV08010000	80	100	3.6
PR PSC 80.125	656PV08012500		125	4.5

- REDUCTIONS
- ПЕРЕХОДНИКИ
- REDUKCJE
- REDUKCE
- KISALTMALAR



RD PSC
ISO 26623-1 / 2

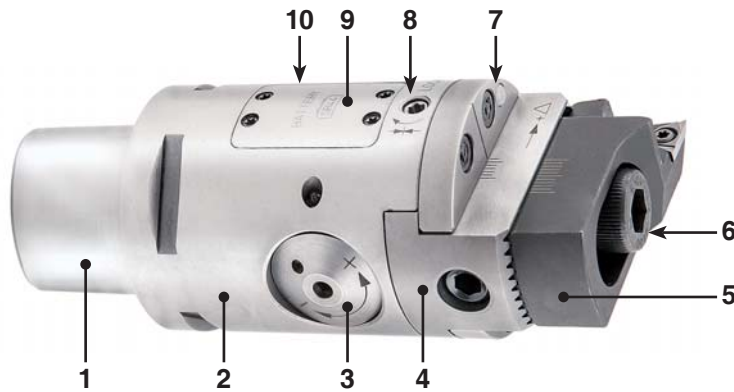


REF.	CODE	PSC d1	PSC d2	L	L1	kg
RD PSC 40/32.70	657PV04003200	40	32	70	12	0.6
RD PSC 50/32.60	657PV05003200			60	34.8	0.65
RD PSC 50/40.65	657PV05004000	50	40	65	45	0.7
RD PSC 50/40.85	657PV05004001			85	12	1
RD PSC 63/32.70	657PV06303200	63	32	70	39	1.1
RD PSC 63/40.80	657PV06304000		40	80	51.4	1.3
RD PSC 63/50.80	657PV06305000		50	80	51.5	1.5
RD PSC 63/50.110	657PV06305001			110	12	3.4
RD PSC 80/32.60	657PV08003200	80	32	60	29.3	1.8
RD PSC 80/40.70	657PV08004000		40	70	36.5	1.9
RD PSC 80/50.80	657PV08005000		50	80	49.3	2.2
RD PSC 80/63.80	657PV08006300			80	53.1	2.5
RD PSC 80/63.120	657PV08006301		63	120	12	3.9
RD PSC 100/80.100	657PV10008000	100	80	100	58.2	5

173

252





- 1 • PSC
• PSC
• PSC
• PSC
• PSC

- 2 • Body
• Корпус
• Korpus
• Tělo
• Gövde

- 3 • Set screw
• Установочный винт
• Śruba ustawcza
• Nastavovací šroub
• Ayar vidası

- 4 • Slide toolholder
• Салазки
• Sanie narzędziowe
• Nástrojový držák šoupátka
• Kayar takim tutucu

- 5 • Bit holder
• Кассета головки
• Wytaczak
• Hrotový držák
• Matkap kovani

- 6 • Tools clamp screws
• Зажимные винты инструмента
• Śruba blokująca narzędzie
• Uprínací šrouby nástroje
• Takımların sıkma vidaları

- 7 • Coolant outlet
• Выход хладагента
• Wylot cieczy chłodzącej
• Výstup chladicí kapaliny
• Soğutma sıvısı çıkışı

- 8 • Slide clamp screw
• Зажимные винты салазок
• Śruba blokująca sanie narzędziowe
• Uprínací šroub šoupátka
• Sürgülü sıkma vidası

- 9 • Battery compartment cover
• Крышка батарейного отсека
• Osłona baterii
• Kryt prostoru baterie
• Pil bölümü kapağı

- 10 • Oiler
• Масленка
• Smarownica
• Olejnička
• Yağlayıcı

IP67

2 μm



- 11 • Digital display
• Цифровой дисплей
• Wyświetlacz cyfrowy
• Digitální displej
• Dijital gösterge

- 12 • Selection button
• Кнопка выбора
• Przycisk Wyboru
• Tlačítko pro výběr
• Seçme düğmesi

TR-E 50 - PSC 50



TR-E 63 - PSC 63

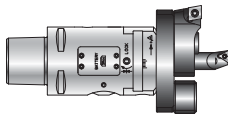


TR-E 80 - PSC 80



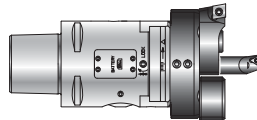
TR-ELETTRA 50 PSC 50

Ø 2.5 ~ 110



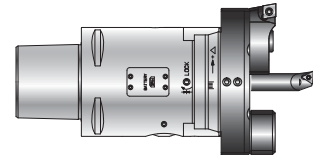
TR-ELETTRA 63 PSC 63

Ø 6 ~ 125



TR-ELETTRA 80 PSC 80

Ø 6 ~ 200



GB FEATURES. The TR-ELETTRA heads enable high precision machining with tolerance grade, IT6, with excellent surface finish. They have a 1 micron radius adjustment sensitivity on a built-in digital display, ensuring maximum speed and adjustment accuracy. The TR-ELETTRA heads are resistant to water infiltration and are coated with an anti-corrosive surface protection.

RU ХАРАКТЕРИСТИКИ. Головки TR-Elettra позволяют производить высокоточную обработку по классу IT6 с исключительным качеством поверхности. Они имеют точность регулировки радиуса в 1 микрон на встроенном цифровом дисплее обеспечивая скорость и точность настройки. Головки TR-ELETTRA являются влагозащищенными и имеют антикоррозионное покрытие.

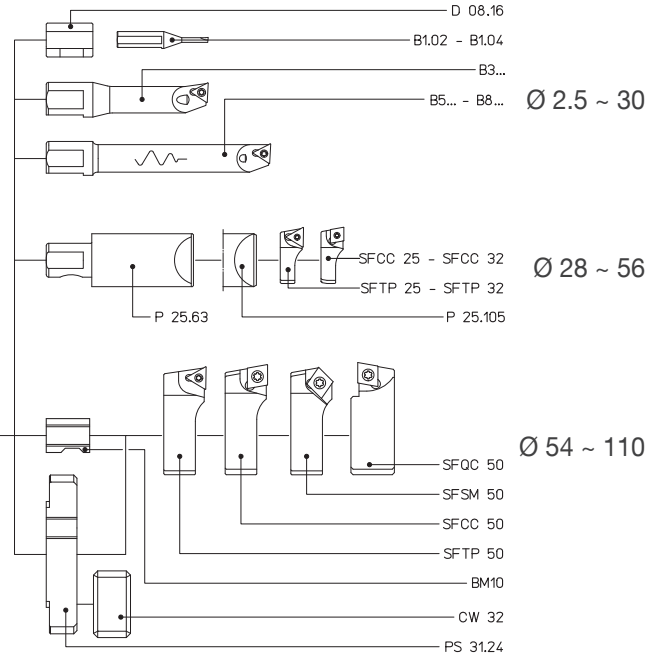
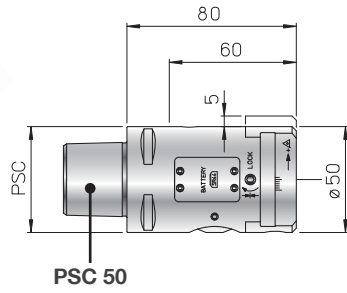
PL CECHY. Głowice TR-Elettra umożliwiają obróbkę o bardzo wysokiej dokładności w tolerancji IT6 i gwarantują uzyskanie doskonałej jakości powierzchni. Posiadają dokładność ustawczą 1 mikrometr na promieniu widoczną na wbudowanym wyświetlaczu cyfrowym, zapewniającym maksymalną szybkość i dokładność ustawienia. Głowice TR-Elettra są odporne na przedostawanie się chłodziwa i są pokryte warstwą anykorozyjną.

CZ VLASTNOSTI. Pomocí hlav TR-ELETTRA se dosáhne vysoce přesného obrábění podle tolerance IT6 s vynikající finální úpravou povrchu. Přesnost nastavení poloměru na vestavěném digitálním displeji je 1 mikron, což zajišťuje maximální přesnost a rychlost nastavení. Tyto TR-ELETTRA hlavy jsou voděodolné a jsou potaženy antikorozií povrchovou vrstvou.

TR ÖZELLİKLER. TR-ELETTRA kafaları IT6 toleransında mükemmel yüzey kalitesinde yüksek hassasiyet sağlar. Dijital göstergede 1 mikron yarıçap ayarı hassasiyeti ile maximum hız ve ayar doğruluğuna sahiptir.



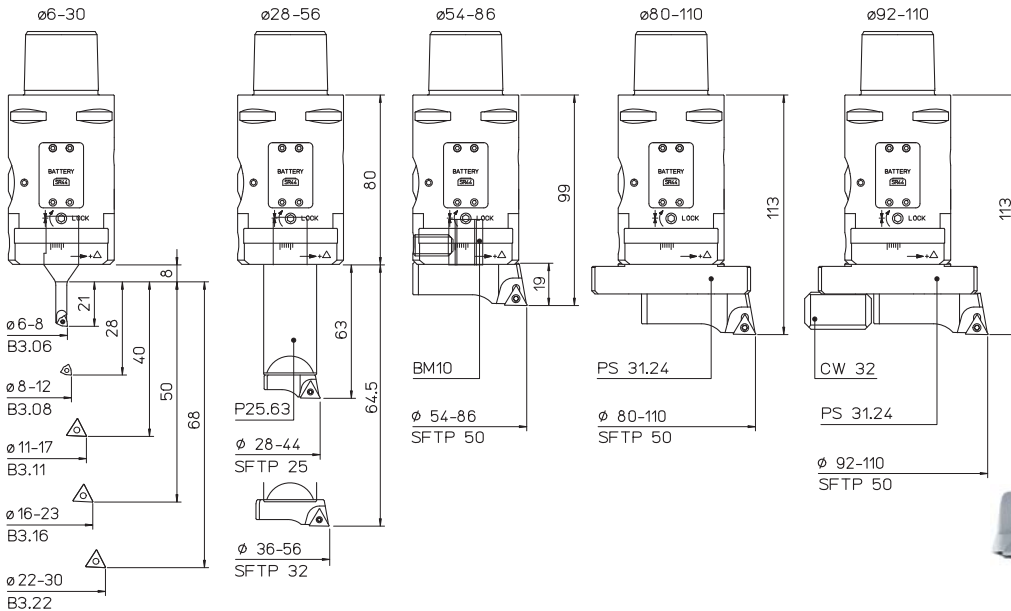
2 μ m



REF.	CODE	Kg.
TR-ELETTRA 50 PSC 50	455255026050	1.2

KIT K01

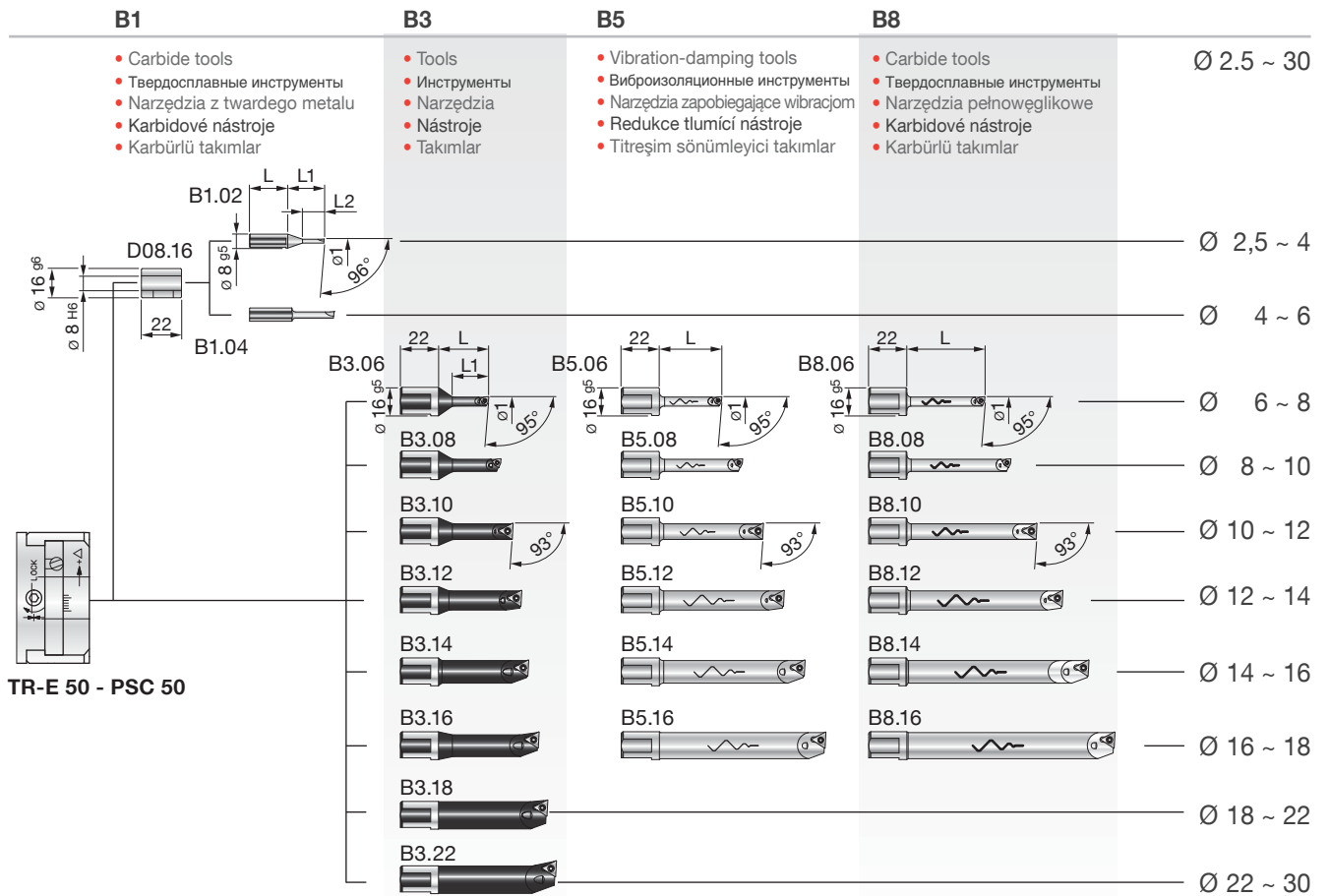
\varnothing 6 ~ 110



- 1 TR-ELETTRA 50 PSC 50
- 1 P25.63 1 B3.06 1 B3.22 5 TPGX 090202L DC100
- 1 BM10 1 B3.08 1 SFTP25 1 TPGX 110302L DC100
- 1 PS 31.24 1 B3.11 1 SFTP32 2 WCGT 020102L DC100
- 1 CW 32 1 B3.16 1 SFTP50

REF.	CODE	\varnothing
KIT K01 TR-ELETTRA 50 PSC 50	655255026050	6 ~ 110





TR-E 50 - PSC 50

REF.	CODE	Kg.
D08.16	200560116082	0.02

REF.	CODE	Ø1	L	L1	L2	Kg.
B1.02	572010502001	2.5 ~ 4	22	21	12.5	0.02
B1.04	572010504001	4 ~ 6	24	24	-	

REF.	CODE	Ø1	L	L1	⊖	⊖	⊖	⊖	Kg.
B3.06	572010506001	6 ~ 8	29	21	WCGT 0201..	-	TS 21	TORX T06	0.035
B3.08	572010508001	8 ~ 10	36	28			TS 211		0.04
B3.10	572010510001	10 ~ 12	43	35	-	TPGX 0902..	CS 250 T	TORX T08	0.05
B3.11	572010511001	11 ~ 13	48	40					0.055
B3.12	572010512001	12 ~ 14	42	42					0.06
B3.14	572010514001	14 ~ 16	52	50					0.07
B3.16	572010516001	16 ~ 18	58	58	-	-	-	-	0.1
B3.18	572010518001	18 ~ 22	63	-					
B3.22	572010522001	22 ~ 30	68	-					

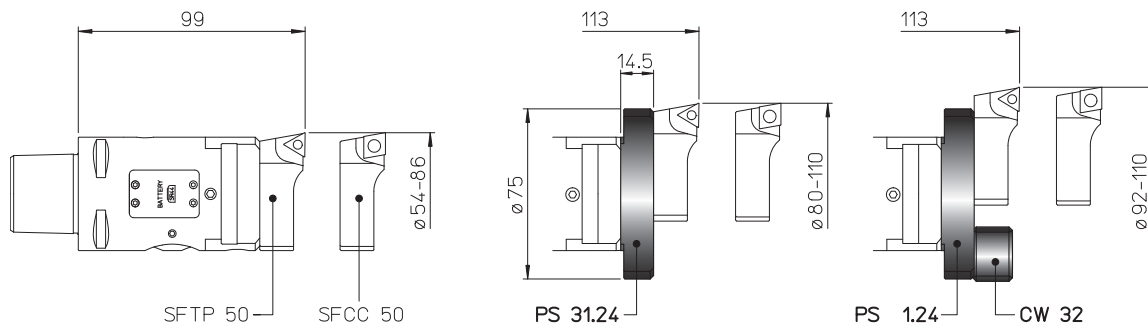
B5.06	572010506105	6 ~ 8	36	-	WCGT 0201..	-	TS 21	TORX T06	0.075
B5.08	572010508105	8 ~ 10	48				TS 211		0.09
B5.10	572010510105	10 ~ 12	60	-	TPGX 0902..	CS 250 T	TORX T08	0.1	
B5.12	572010512105	12 ~ 14	72					0.2	
B5.14	572010514105	14 ~ 16	84					0.3	
B5.16	572010516105	16 ~ 18	96					0.3	

B8.06	572010506108	6 ~ 8	45	-	WCGT 0201..	-	TS 21	TORX T06	0.065
B8.08	572010508108	8 ~ 10	60				TS 211		0.08
B8.10	572010510108	10 ~ 12	75	-	TPGX 0902..	CS 250 T	TORX T08	0.1	
B8.12	572010512108	12 ~ 14	90					0.2	
B8.14	572010514108	14 ~ 16	105					0.3	
B8.16	572010516108	16 ~ 18	120					0.3	

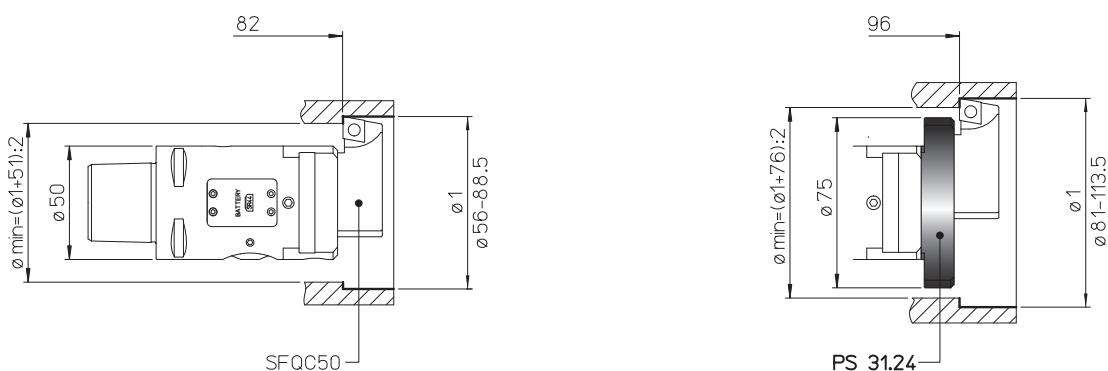
PSC 50 ISO 26623-1

- TOOLHOLDERS FOR TESTAROSSA
- ДЕРЖАТЕЛИ ДЛЯ ГОЛОВКИ TESTAROSSA
- OPRAWKI NARZĘDZIOWE DO GŁOWIC TESTAROSSA
- NÁSTROJOVÉ DRŽÁKY PRO TESTAROSSA
- TESTAROSSA İÇİN TAKIM TUTUCULAR

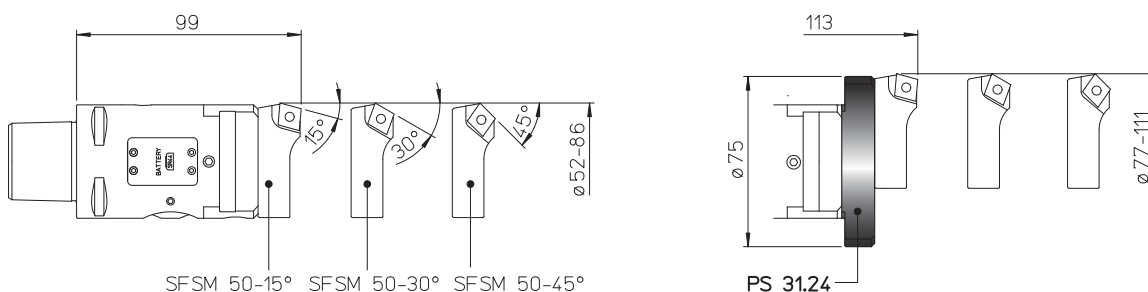
PS 31
CW 32
 $\varnothing 54 \sim 110$



PS 31
 $\varnothing 56 \sim 113.5$



PS 31
 $\varnothing 52 \sim 111$



REF.	CODE	Kg.
PS 31.24 TR..50	433024140751	0.19
CW 32	392011003201	0.07

119

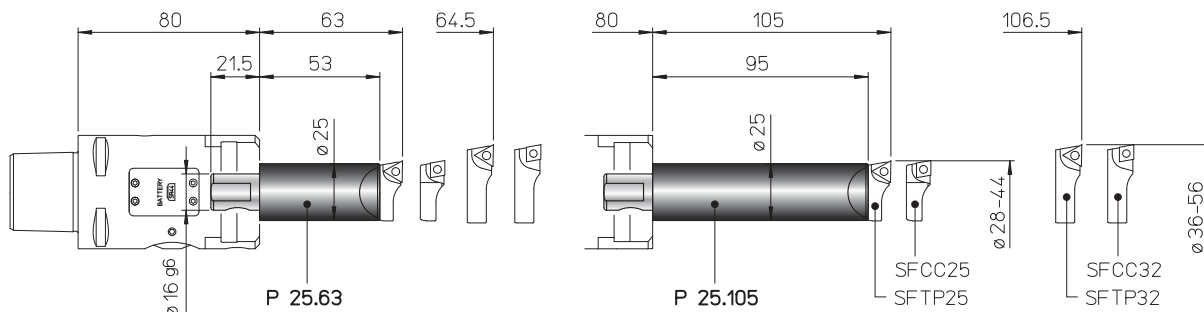


175



- TOOLHOLDERS FOR TESTAROSSA
- ДЕРЖАТЕЛИ ДЛЯ ГОЛОВКИ TESTAROSSA
- OPRAWKI NARZĘDZIOWE DO GŁÓWIC TESTAROSSA
- NÁSTROJOVÉ DRŽÁKY PRO TESTAROSSA
- TESTAROSSA İÇİN TAKIM TUTUCULAR

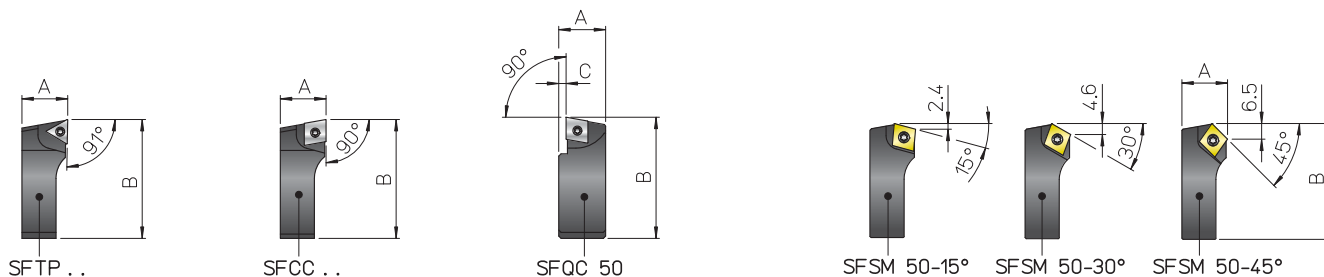
P 25
Ø 28 ~ 56



REF.	CODE	Kg.
P25.63 TR...	435116250631	0.5
P25.105 TR...	435116251051	0.8

- BIT-HOLDERS FOR TESTAROSSA
- КАССЕТЫ ДЛЯ ГОЛОВКИ TESTAROSSA
- OSTRZA DO GŁÓWIC TESTAROSSA
- HROTOVÉ DRŽÁKY TESTAROSSA
- TESTAROSSA İÇİN MATKAP KOVANLARI

SF



REF.	CODE	A	B	C					Kg.
SFTP 25	470500525001	10	26.5	-	TPGX 0902..	-	CS 250T	TORX T08	0.01
SFTP 32	470500532001	11.5	34.5	-	-	-	-	-	0.02
SFTP 50	470500550001	19	52	-	TPGX 1103..	-	CS 300890T	-	0.08
SFCC 25	470500525002	10	26.5	-	-	CCGT 0602..	TS 25	TORX T08	0.01
SFCC 32	470500532002	11.5	34.5	-	-	-	-	-	0.02
SFCC 50	470500550002	19	52	-	-	CCGT 09T3..	TS 4	TORX T15	0.08
SFQC 50	470500550062	20.5	53	3	-	CCMT 09T3..	TS 4	TORXT15	0.1
SFSM 50-15°	470500550011	19	50.5	-	-	CCMT 09T3..	TS 4	TORXT15	0.07
SFSM 50-30°	470500550013								
SFSM 50-45°	470500550015								

116

175

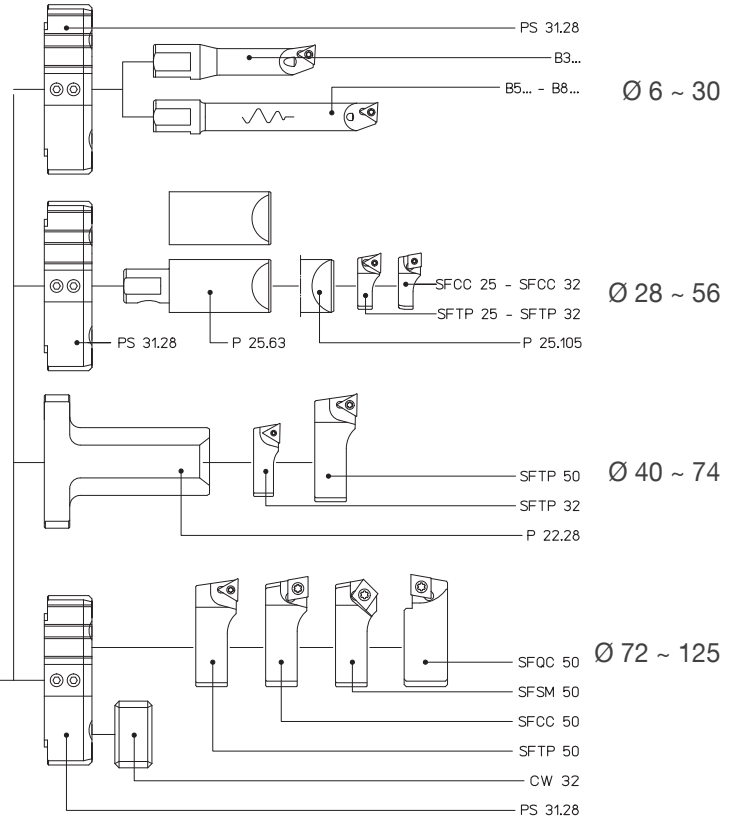
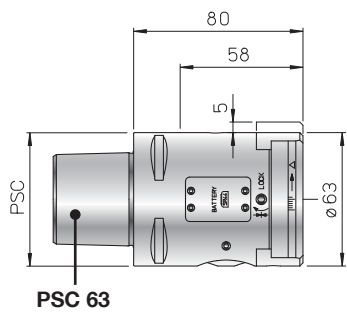
119



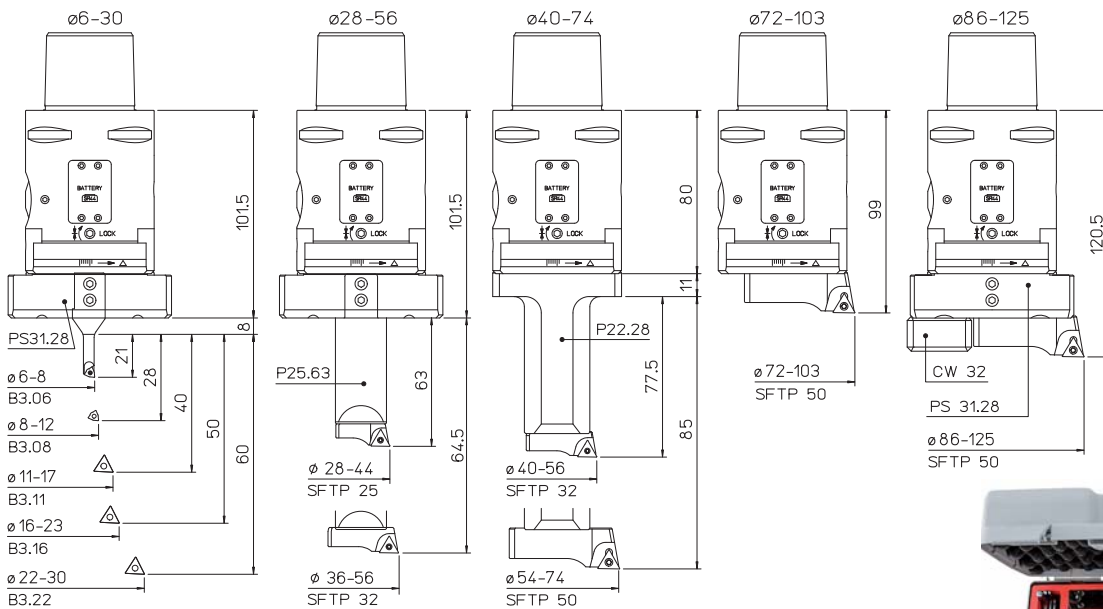
150



2 µm



REF.	CODE	Kg.
TR-ELETTRA 63 PSC 63	455256326060	2.1



KIT K01
Ø 6 ~ 125



- 1 TR-ELETTRA 63 PSC 63
- 1 P25.63 1 B3.06 1 B3.22 5 TPGX 090202L DC100
- 1 P22.28 1 B3.08 1 SFTP25 1 TPGX 110302L DC100
- 1 PS 31.28 1 B3.11 1 SFTP32 2 WCGT 020102L DC100
- 1 CW 32 1 B3.16 1 SFTP50

REF.	CODE	Ø
KIT K01 TR-ELETTRA 63 PSC 63	655256326060	6 ~ 125

252



119



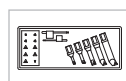
173

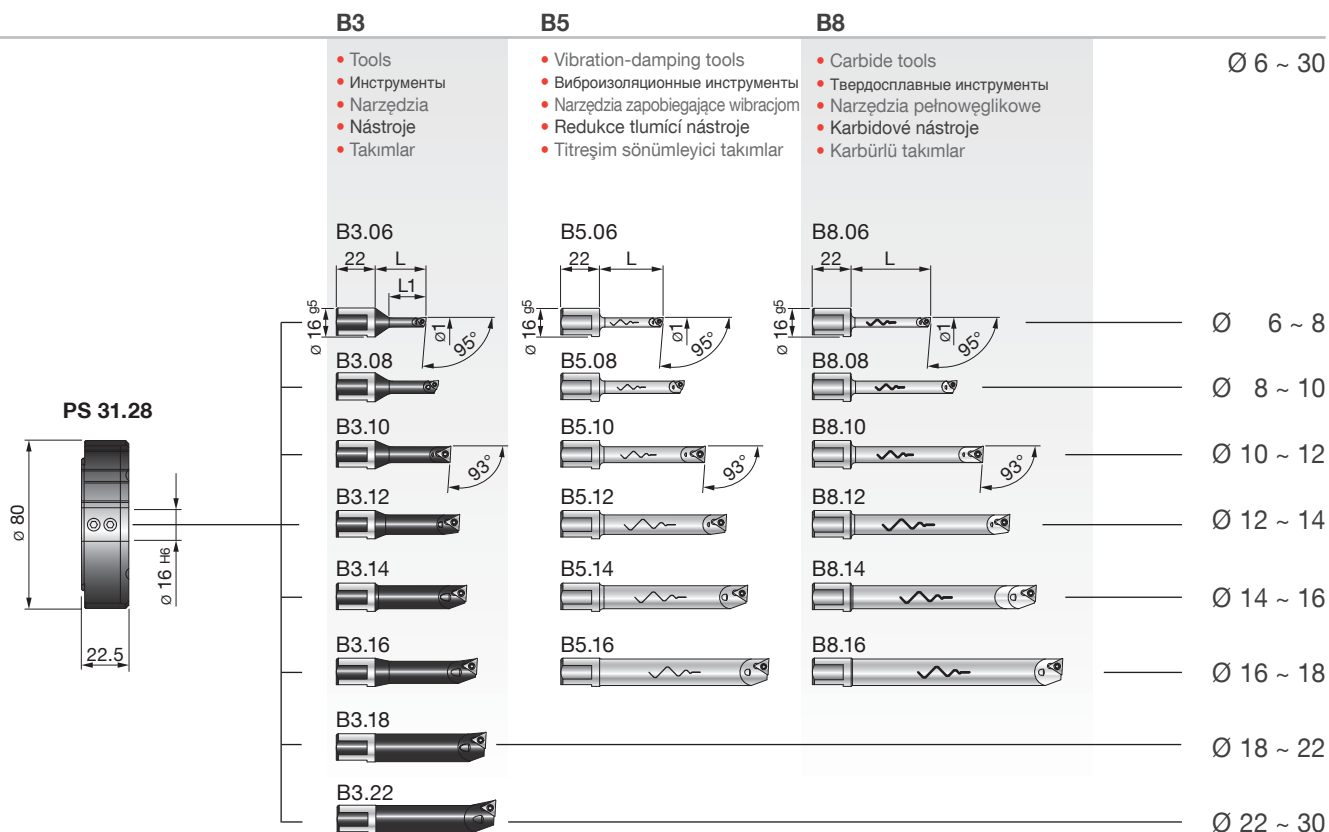


116



241





REF.	CODE	Kg.
PS 31.28 TR-ELETTRA 63	433028220802	0.3

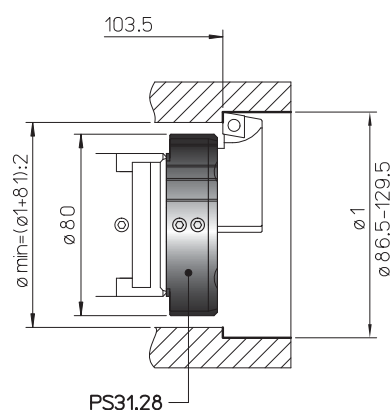
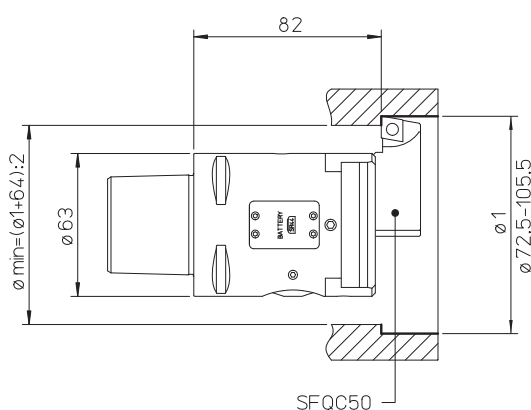
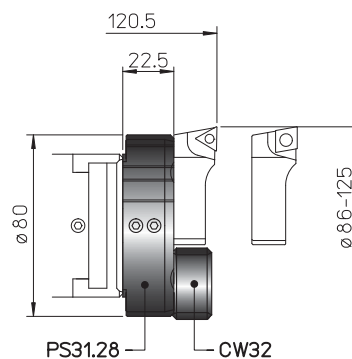
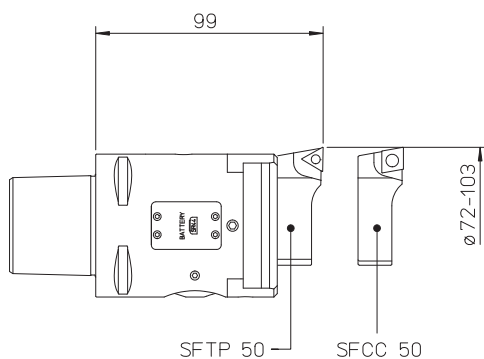
REF.	CODE	Ø1	L	L1	⚠	⚠	🔧	🔧	Kg.
B3.06	57 201 05 06 001	6 ~ 8	29	21	WCGT 0201..	-	TS 21	TORX T06	0.035
B3.08	57 201 05 08 001	8 ~ 10	36	28			TS 211		0.04
B3.10	57 201 05 10 001	10 ~ 12	43	35	-	TPGX 0902..	CS 250 T	TORX T08	0.05
B3.11	57 201 05 11 001	11 ~ 13	48	40					0.055
B3.12	57 201 05 12 001	12 ~ 14	48	42					0.06
B3.14	57 201 05 14 001	14 ~ 16	52	50					0.07
B3.16	57 201 05 16 001	16 ~ 18	58	-					0.1
B3.18	57 201 05 18 001	18 ~ 22	63	-					
B3.22	57 201 05 22 001	22 ~ 30	68	-					
B5.06	57 201 05 06 105	6 ~ 8	36	-	WCGT 0201..	-	TS 21	TORX T06	0.075
B5.08	57 201 05 08 105	8 ~ 10	48				TS 211		0.09
B5.10	57 201 05 10 105	10 ~ 12	60	-	TPGX 0902..	CS 250 T	TORX T08	0.1	
B5.12	57 201 05 12 105	12 ~ 14	72					0.2	
B5.14	57 201 05 14 105	14 ~ 16	84					0.3	
B5.16	57 201 05 16 105	16 ~ 18	96						
B8.06	57 201 05 06 108	6 ~ 8	45	-	WCGT 0201..	-	TS 21	TORX T06	0.065
B8.08	57 201 05 08 108	8 ~ 10	60				TS 211		0.08
B8.10	57 201 05 10 108	10 ~ 12	75	-	TPGX 0902..	CS 250 T	TORX T08	0.1	
B8.12	57 201 05 12 108	12 ~ 14	90					0.2	
B8.14	57 201 05 14 108	14 ~ 16	105					0.3	
B8.16	57 201 05 16 108	16 ~ 18	120						



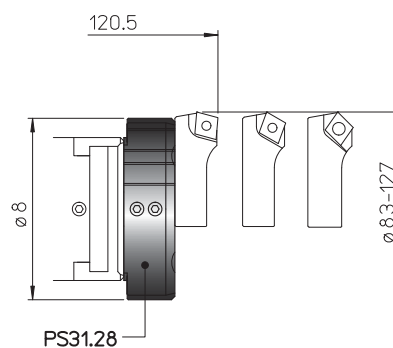
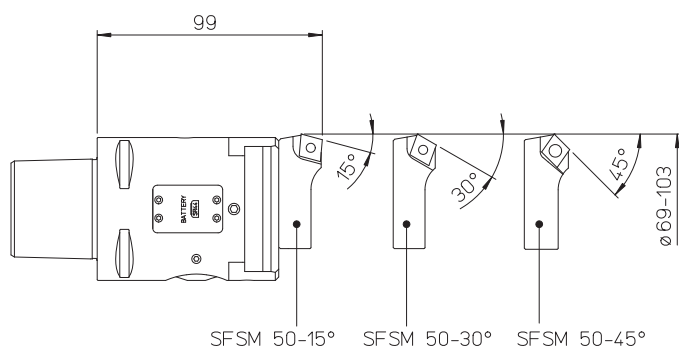
PSC 63 ISO 26623-1

- TOOLHOLDERS FOR TESTAROSSA
- ДЕРЖАТЕЛИ ДЛЯ ГОЛОВКИ TESTAROSSA
- OPRAWKI NARZĘDZIOWE DO GŁOWIC TESTAROSSA
- NÁSTROJOVÉ DRŽÁKY PRO TESTAROSSA
- TESTAROSSA İÇİN TAKIM TUTUCULAR

PS 31
CW 32
Ø 72~ 125



PS 31
Ø 72.5 ~ 129.5



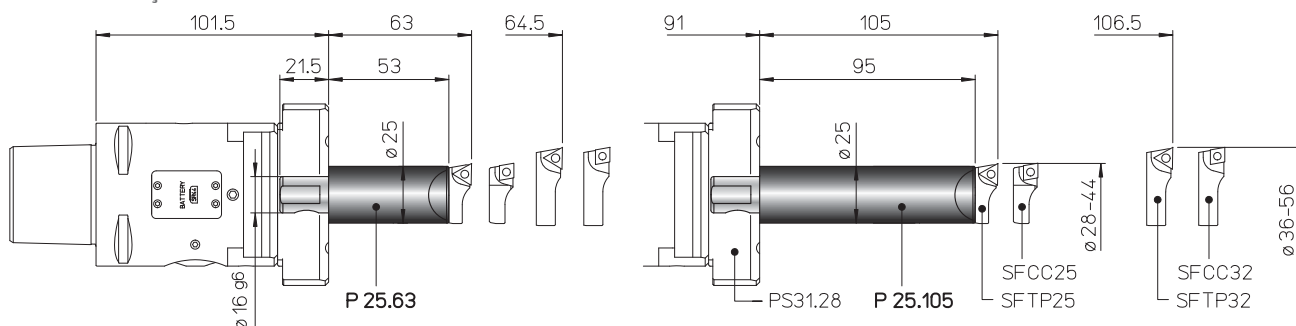
PS 31
Ø 69 ~ 127

REF.	CODE	Kg.
PS 31.28 TR-ELETTRA 63	433028220802	0.3
CW 32	392011003201	0.07



- TOOLHOLDERS FOR TESTAROSSA
- ДЕРЖАТЕЛИ ДЛЯ ГОЛОВКИ TESTAROSSA
- OPRAWKI NARZĘDZIOWE DO GŁOWIC TESTAROSSA
- NÁSTROJOVÉ DRŽÁKY PRO TESTAROSSA
- TESTAROSSA İÇİN TAKIM TUTUCULAR

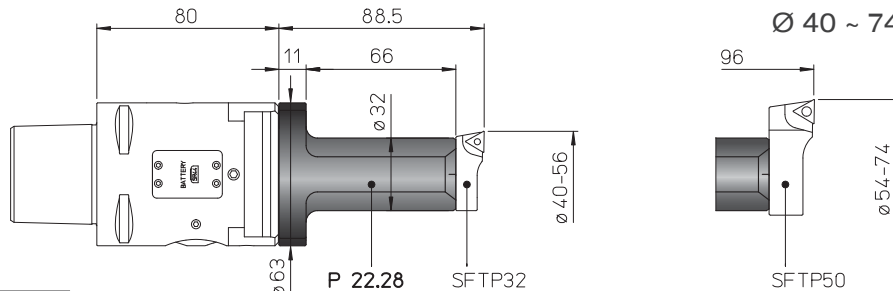
P 25
Ø 28 ~ 56



REF.	CODE	Kg.
P25.63 TR...	435116250631	0.5
P25.105 TR...	435116251051	0.8

P 22

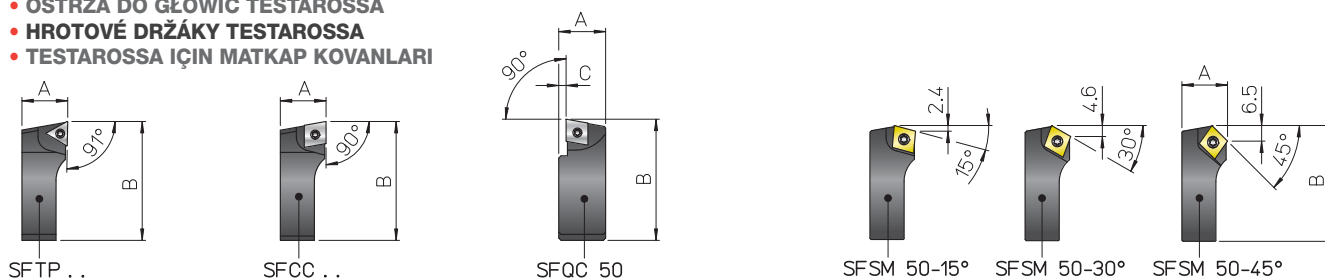
Ø 40 ~ 74



REF.	CODE	Kg.
P 22.28	433028220631	0.45

- BIT-HOLDERS FOR TESTAROSSA
- КАССЕТЫ ДЛЯ ГОЛОВКИ TESTAROSSA
- OSTRZA DO GŁOWIC TESTAROSSA
- HROTOVÉ DRŽÁKY TESTAROSSA
- TESTAROSSA İÇİN MATKAP KOVANLARI

SF



REF.	CODE	A	B	C					Kg.
SFTP 25	470500525001	10	26.5	-	TPGX 0902..	-	CS 250T	TORX T08	0.01
SFTP 32	470500532001	11.5	34.5	-	-	-	-	-	0.02
SFTP 50	470500550001	19	52	-	TPGX 1103..	-	CS 300890T	-	0.08
SFCC 25	470500525002	10	26.5	-	-	CCGT 0602..	TS 25	TORX T08	0.01
SFCC 32	470500532002	11.5	34.5	-	-	-	-	-	0.02
SFCC 50	470500550002	19	52	-	-	CCGT 09T3..	TS 4	TORX T15	0.08
SFQC 50	470500550062	20.5	53	3	-	CCMT 09T3..	TS 4	TORXT15	0.1
SFSM 50-15°	470500550011	19	50.5	-	-	CCMT 09T3..	TS 4	TORXT15	0.07
SFSM 50-30°	470500550013								
SFSM 50-45°	470500550015								

116

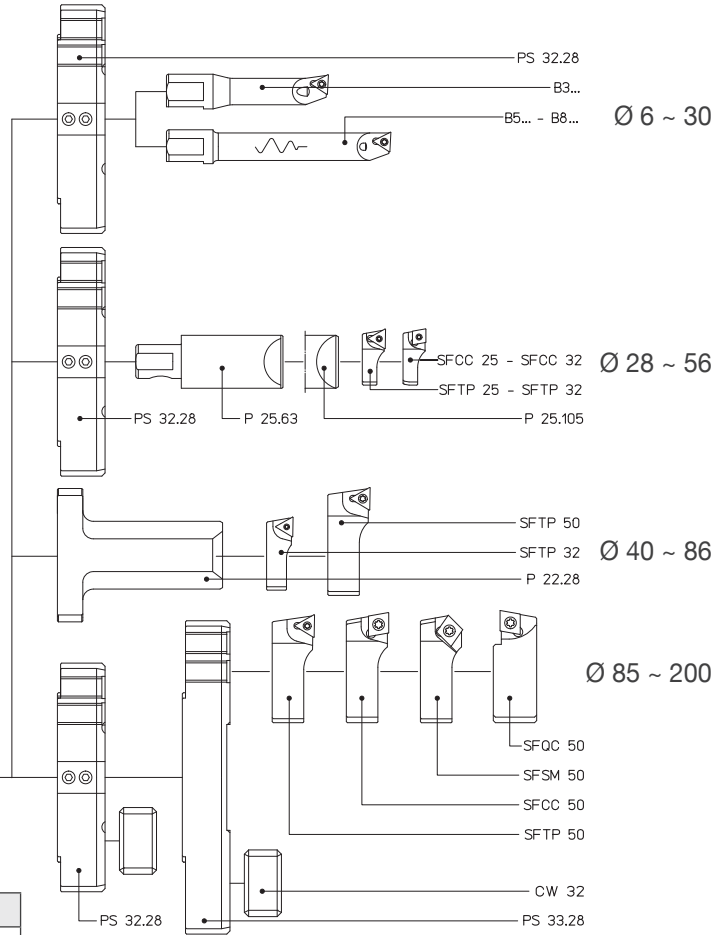
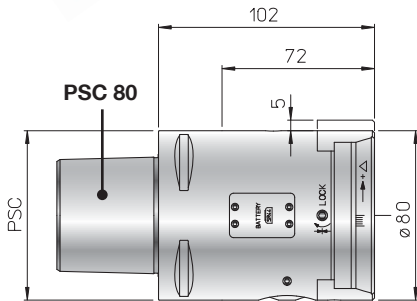
175

119

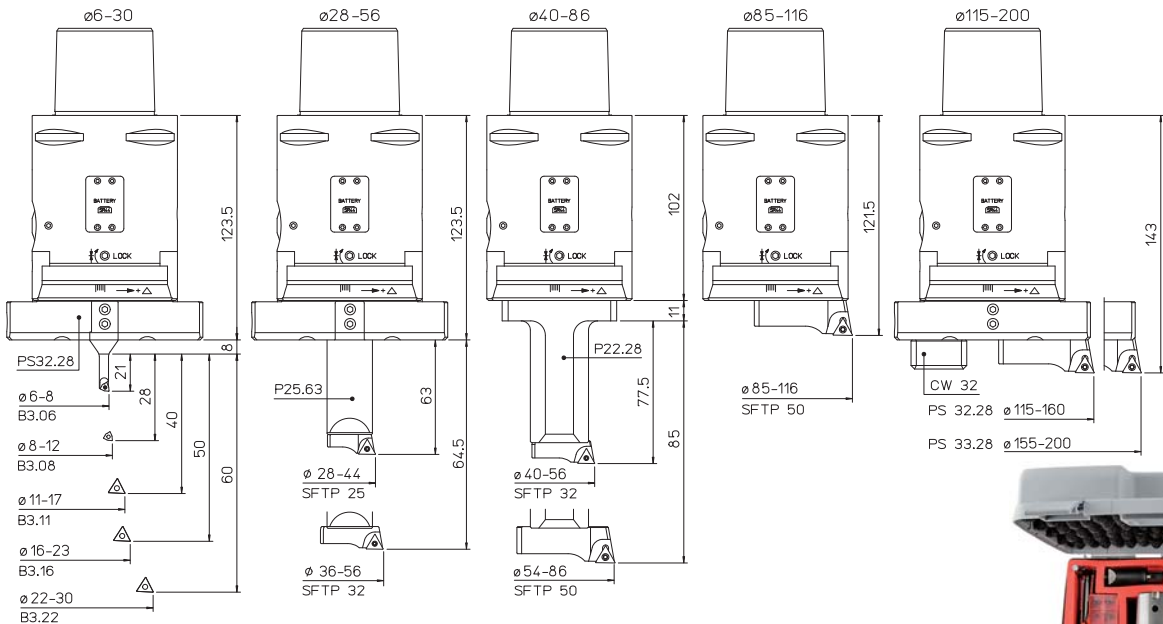




2 μm



REF.	CODE	Kg.
TR-ELETTRA 80 PSC 80	455258026080	4.4



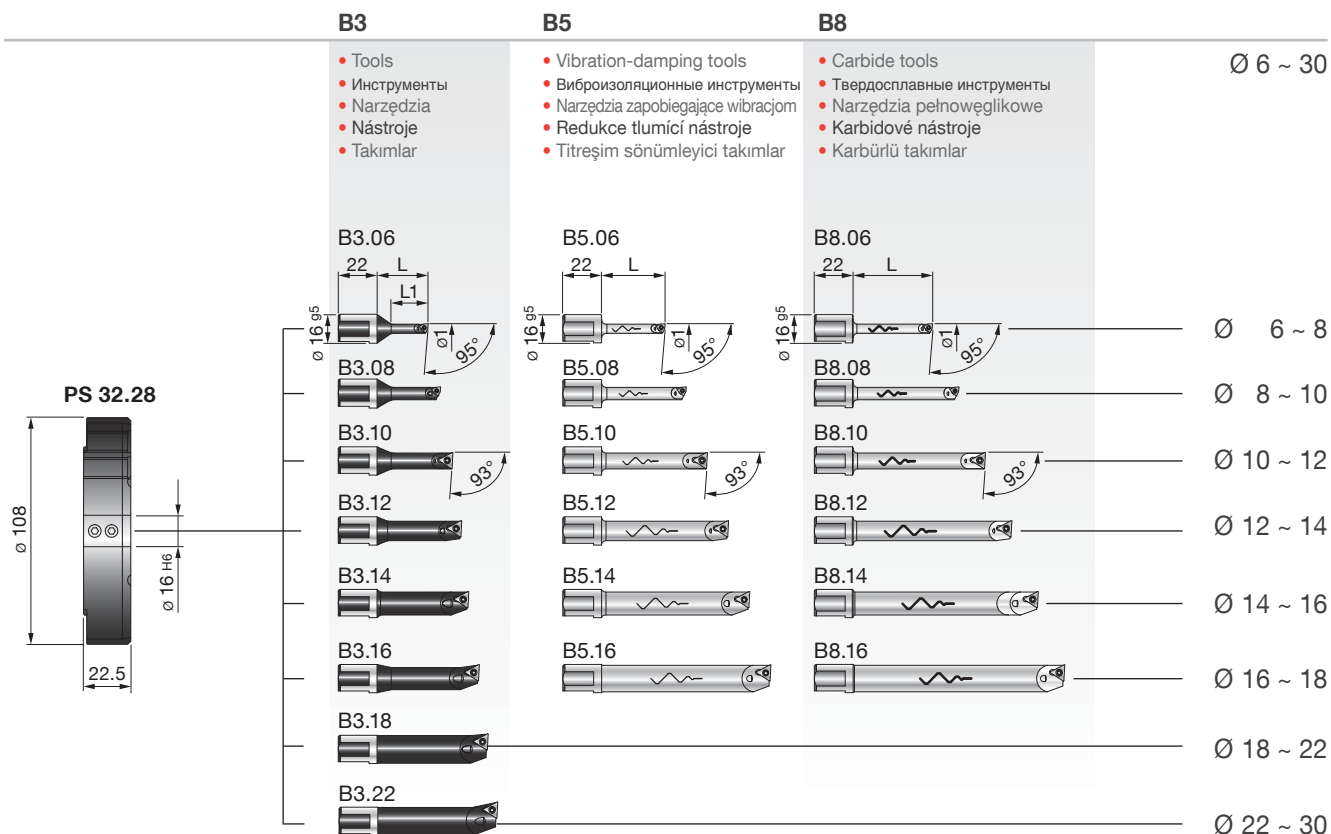
KIT K01
 $\varnothing 6 \sim 200$

- 1 TR-ELETTRA 80 PSC 80
- 1 P25.63 1 CW 32 1 B3.16 1 SFTP50
- 1 P22.28 1 B3.06 1 B3.22 5 TPGX 090202L DC100
- 1 PS 32.28 1 B3.08 1 SFTP25 1 TPGX 110302L DC100
- 1 PS 33.28 1 B3.11 1 SFTP32 2 WCGT 020102L DC100



REF.	CODE	\varnothing
KIT K01 TR-ELETTRA 80 PSC 80	655258026080	6 ~ 200





REF.	CODE	Kg.
PS 32.28 TR-ELETTRA 80	433028221082	0.5

REF.	CODE	Ø1	L	L1	⚠	⚠	🔧	🔧	Kg.
B3.06	572010506001	6 ~ 8	29	21	WCGT 0201..	-	TS 21	TORX T06	0.035
B3.08	572010508001	8 ~ 10	36	28			TS 211		0.04
B3.10	572010510001	10 ~ 12	43	35	-	TPGX 0902..	CS 250 T	TORX T08	0.05
B3.11	572010511001	11 ~ 13	48	40					0.055
B3.12	572010512001	12 ~ 14	48	42					0.06
B3.14	572010514001	14 ~ 16	52	50					0.07
B3.16	572010516001	16 ~ 18	58	50	-	TPGX 0902..	CS 250 T	TORX T08	0.07
B3.18	572010518001	18 ~ 22	63	-					0.1
B3.22	572010522001	22 ~ 30	68	-	-	-	-	-	0.1
B5.06	572010506105	6 ~ 8	36	-	WCGT 0201..	-	TS 21	TORX T06	0.075
B5.08	572010508105	8 ~ 10	48				28		TS 211
B5.10	572010510105	10 ~ 12	60	-	-	TPGX 0902..	CS 250 T	TORX T08	0.1
B5.12	572010512105	12 ~ 14	72						0.2
B5.14	572010514105	14 ~ 16	84						0.2
B5.16	572010516105	16 ~ 18	96						0.3
B8.06	572010506108	6 ~ 8	45	-	WCGT 0201..	-	TS 21	TORX T06	0.065
B8.08	572010508108	8 ~ 10	60				28		TS 211
B8.10	572010510108	10 ~ 12	75	-	-	TPGX 0902..	CS 250 T	TORX T08	0.1
B8.12	572010512108	12 ~ 14	90						0.2
B8.14	572010514108	14 ~ 16	105						0.2
B8.16	572010516108	16 ~ 18	120						0.3



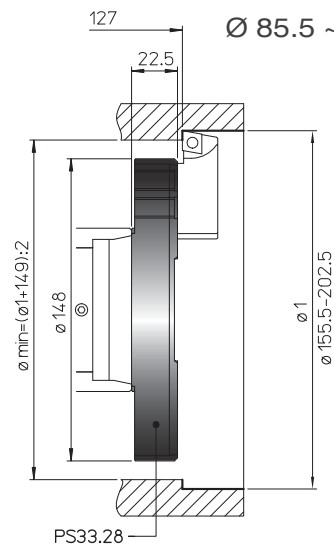
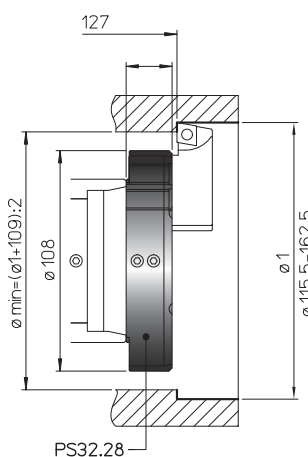
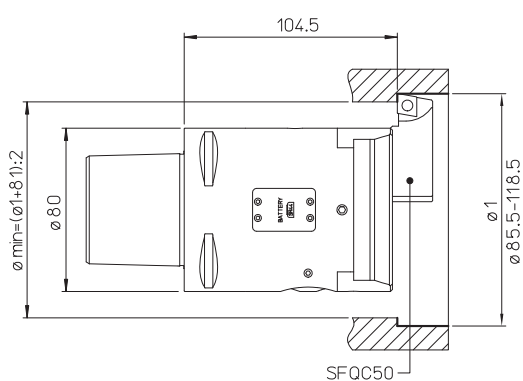
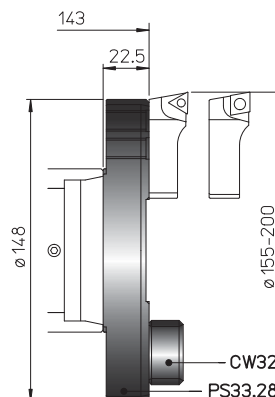
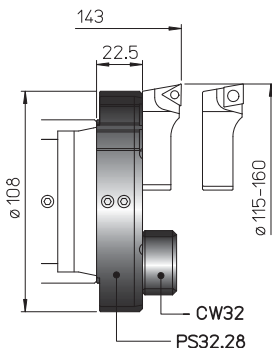
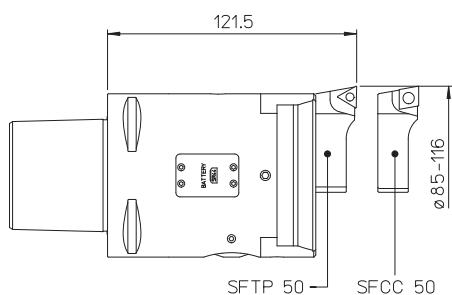
PSC 80 ISO 26623-1

- TOOLHOLDERS FOR TESTAROSSA
- ДЕРЖАТЕЛИ ДЛЯ ГОЛОВКИ TESTAROSSA
- OPRAWKI NARZĘDZIOWE DO GŁOWIC TESTAROSSA
- NÁSTROJOVÉ DRŽÁKY PRO TESTAROSSA
- TESTAROSSA İÇİN TAKIM TUTUCULAR

PS

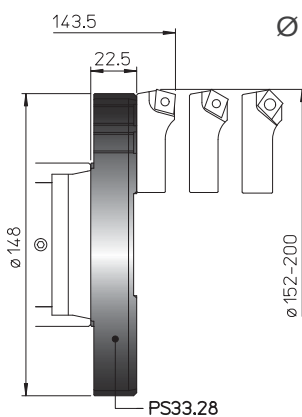
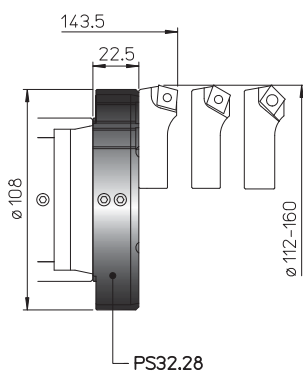
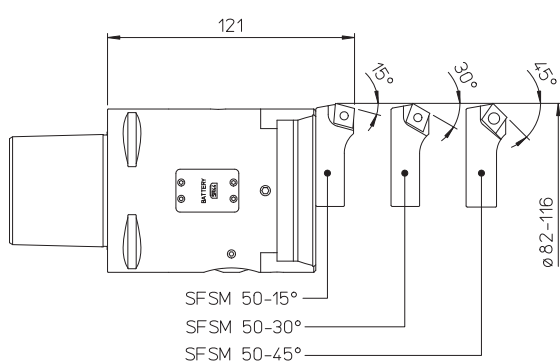
CW 32

Ø 85 ~ 200



PS

Ø 85.5 ~ 202.5



PS

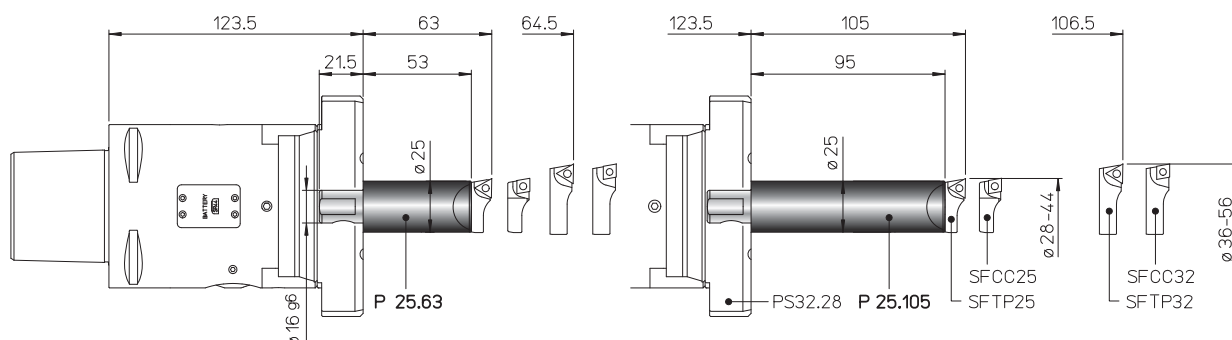
Ø 82 ~ 200

REF.	CODE	Kg.
PS 32.28 TR-ELETTRA 80	433028221082	0.5
PS 33.28 TR-ELETTRA 80	433028221482	0.6
CW 32	392011003201	0.07



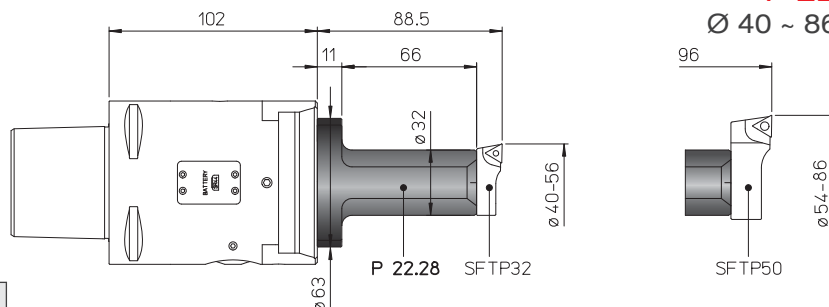
- TOOLHOLDERS FOR TESTAROSSA
- ДЕРЖАТЕЛИ ДЛЯ ГОЛОВКИ TESTAROSSA
- OPRAWKI NARZĘDZIOWE DO GŁOWIC TESTAROSSA
- NÁSTROJOVÉ DRŽÁKY PRO TESTAROSSA
- TESTAROSSA İÇİN TAKIM TUTUCULAR

P 25
Ø 28 ~ 56



REF.	CODE	Kg.
P25.63 TR...	435116250631	0.5
P25.105 TR..	435116251051	0.8

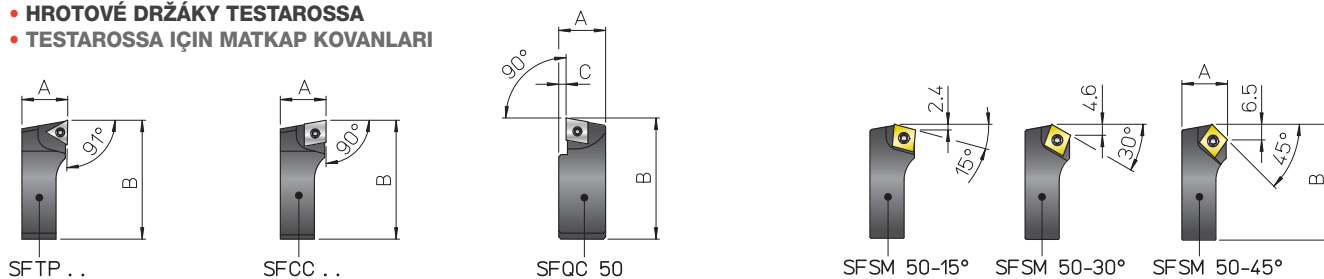
P 22
Ø 40 ~ 86



REF.	CODE	Kg.
P 22.28	433028220631	0.45

- BIT-HOLDERS FOR TESTAROSSA
- КАССЕТЫ ДЛЯ ГОЛОВКИ TESTAROSSA
- OSTRZA DO GŁOWIC TESTAROSSA
- HROTOVÉ DRŽÁKY TESTAROSSA
- TESTAROSSA İÇİN MATKAP KOVANLARI

SF



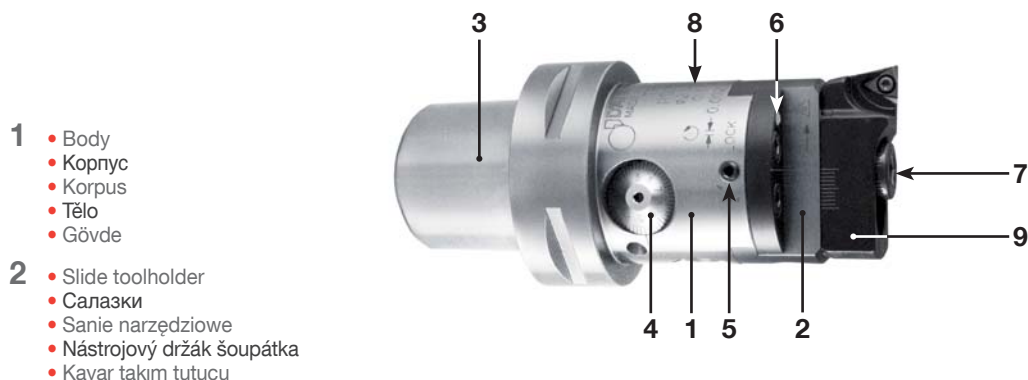
REF.	CODE	A	B	C					Kg.
SFTP 25	470500525001	10	26.5	-	TPGX 0902..	-	CS 250T	TORX T08	0.01
SFTP 32	470500532001	11.5	34.5	-					0.02
SFTP 50	470500550001	19	52	-	TPGX 1103..	-	CS 300890T		0.08
SFCC 25	470500525002	10	26.5	-		CCGT 0602..	TS 25	TORX T08	0.01
SFCC 32	470500532002	11.5	34.5	-					0.02
SFCC 50	470500550002	19	52	-		CCGT 09T3..	TS 4	TORX T15	0.08
SFQC 50	470500550062	20.5	53	3		CCMT 09T3..	TS 4	TORXT15	0.1
SFSM 50-15°	470500550011	19	50.5	-	-	CCMT 09T3..	TS 4	TORXT15	0.07
SFSM 50-30°	470500550013								
SFSM 50-45°	470500550015								

116

175

119





- 1 • Body
• Корпус
• Korpus
• Tělo
• Gövde
- 2 • Slide toolholder
• Салазки
• Sanie narzędziowe
• Nástrojový držák šoupátka
• Kayar takim tutucu

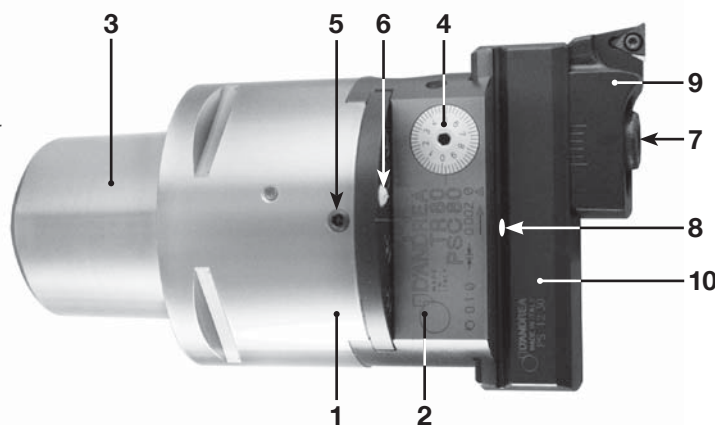
- 3 • PSC 40-50-63-80
• PSC 40-50-63-80
• PSC 40-50-63-80
• PSC 40-50-63-80
• PSC 40-50-63-80

- 4 • Micrometric vernier scale
• Микрометрический нониус
• Noniusz mikrometryczny
• Mikrometrické měřítko vernier
• Mikrometrik verniye skalası

- 5 • Slide clamp screw
• Зажимные винты салазок
• Śruba blokująca sanie narzędziowe
• Uprínací šroub šoupátka
• Sürgülü sıkma vidası

- 6 • Coolant outlet
• Выход хладагента
• Wylot cieczy chłodzącej
• Výstup chladicí kapaliny
• Soğutma sıvısı çıkışı

- 7 • Tools clamp screws
• Зажимные винты инструмента
• Śruba blokująca narzędzie
• Uprínací šrouby nástroje
• Takımların sıkma vidaları



2 μm



- 8 • Oiler
• Масленка
• Smarownica
• Olejnička
• Yağlayıcı

- 9 • Bit holder
• Кассета головки
• Wytaczak
• Hrotový držák
• Matkap kovani

- 10 • Tool holder
• Держатель
• Oprawka narzędziowa
• Nástrojový držák
• Takım tutucu

GB FEATURES. The TR-PSC heads in the D'Andrea Testarossa line have protective rustproof coating. High precision work to IT6 tolerance, with excellent surface finish, is achieved using TR-PSC boring heads. These are very sensitive and radial correction of 1 micron can be effected directly on the machine and easily read on the vernier scale.

RU ХАРАКТЕРИСТИКИ. Головки TR-PSC линии Testarossa D'Andrea оснащены защитным антикоррозийным покрытием. Головки TR-PSC обеспечивают высокую точность с допусками по классу IT6 с исключительной чистотой поверхности. Они очень чувствительны и радиальная коррекция в 1 микрон может быть осуществлена прямо на станке и легко считана по шкале нониуса.

PL CECHY. Głowice serii TR-PSC, pochodzące z nowej linii Testarossa firmy D'Andrea, posiadają dodatkową ochronną powłokę antykorozyjną. Głowice TR-PSC umożliwiają obróbkę o bardzo wysokiej dokładności w tolerancji IT6 i gwarantują uzyskanie doskonałej jakości powierzchni. Dokładność ustawcza głowic wynosi 1 mikrometr na promieniu. Wartość ta jest łatwa do odczytania bezpośrednio na noniuszu głowicy co umożliwia dokonywanie regulacji bezpośrednio na obrabiarce.

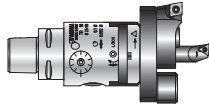
CZ VLASTNOSTI. Hlavy TR-PSC v řadě Testarossa společnosti D'Andrea mají rezuzvdornou povrchovou úpravu. Pomocí vyvrtávacích hlav TR-PSC se docílí vysoce přesné obrábění dle tolerance IT6 s vynikající finální úpravou povrchu. Jsou velmi citlivé a radiální korekci 1 mikronu lze provést přímo na stroji a snadno odečíst na měřítku vernier.

TR ÖZELLİKLER. D'Andrea Testarossa ürün gamındaki TR-PSC kafaları, koruyucu paslanmaz kaplamaya sahiptir. TR-PSC matkap başları kullanılarak IT6 toleransa kadar yüksek hassasiyetli çalışma ve mükemmel yüzey bitirme gerçekleştirilir. Bunlar son derece hassastırlar ve 1 mikron radyal düzeltme doğrudan makine üzerinde gerçekleştirilip verniye skalasında kolayca okunabilir.sul raggio, facilmente leggibile sul nonio ed eseguibile anche in macchina.



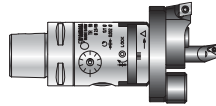
TR50 - PSC40

Ø 2.5 ~ 108



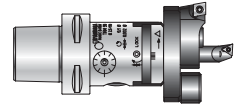
TR50 - PSC50

Ø 2.5 ~ 108



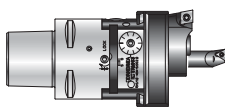
TR50 - PSC63

Ø 2.5 ~ 108



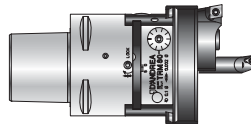
TR63 - PSC63

Ø 6 ~ 125



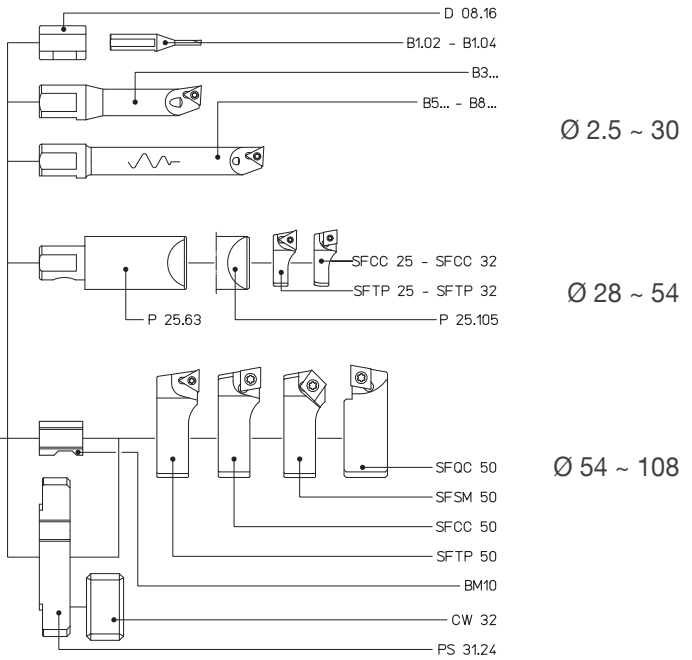
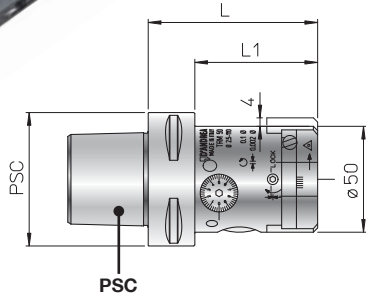
TR80 - PSC80

Ø 6 ~ 160





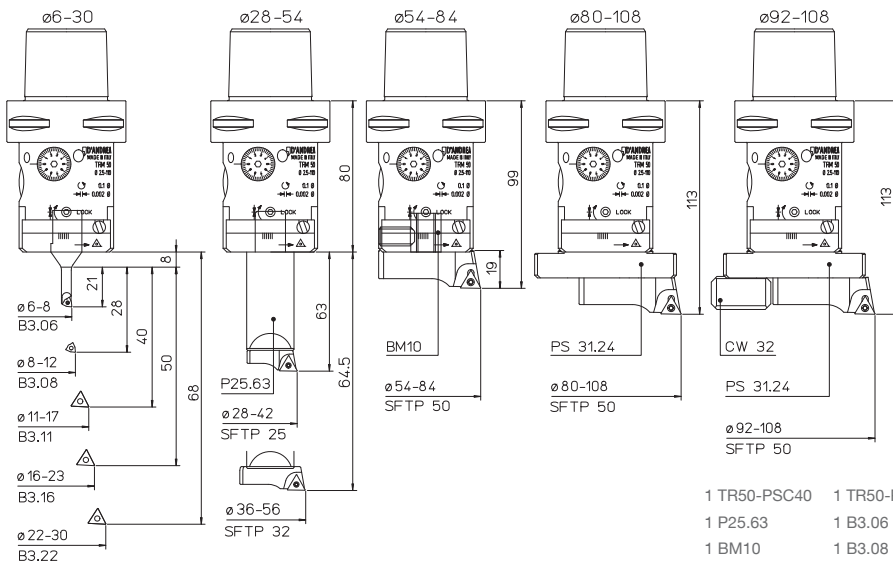
2 µm



PSC	REF.	CODE	L	L1	kg
40	TR 50 - PSC 40	455055026040	80	60	0.9
50	TR 50 - PSC 50	455055026050			1.1
63	TR 50 - PSC 63	455055026060		58	1.3

KIT K01

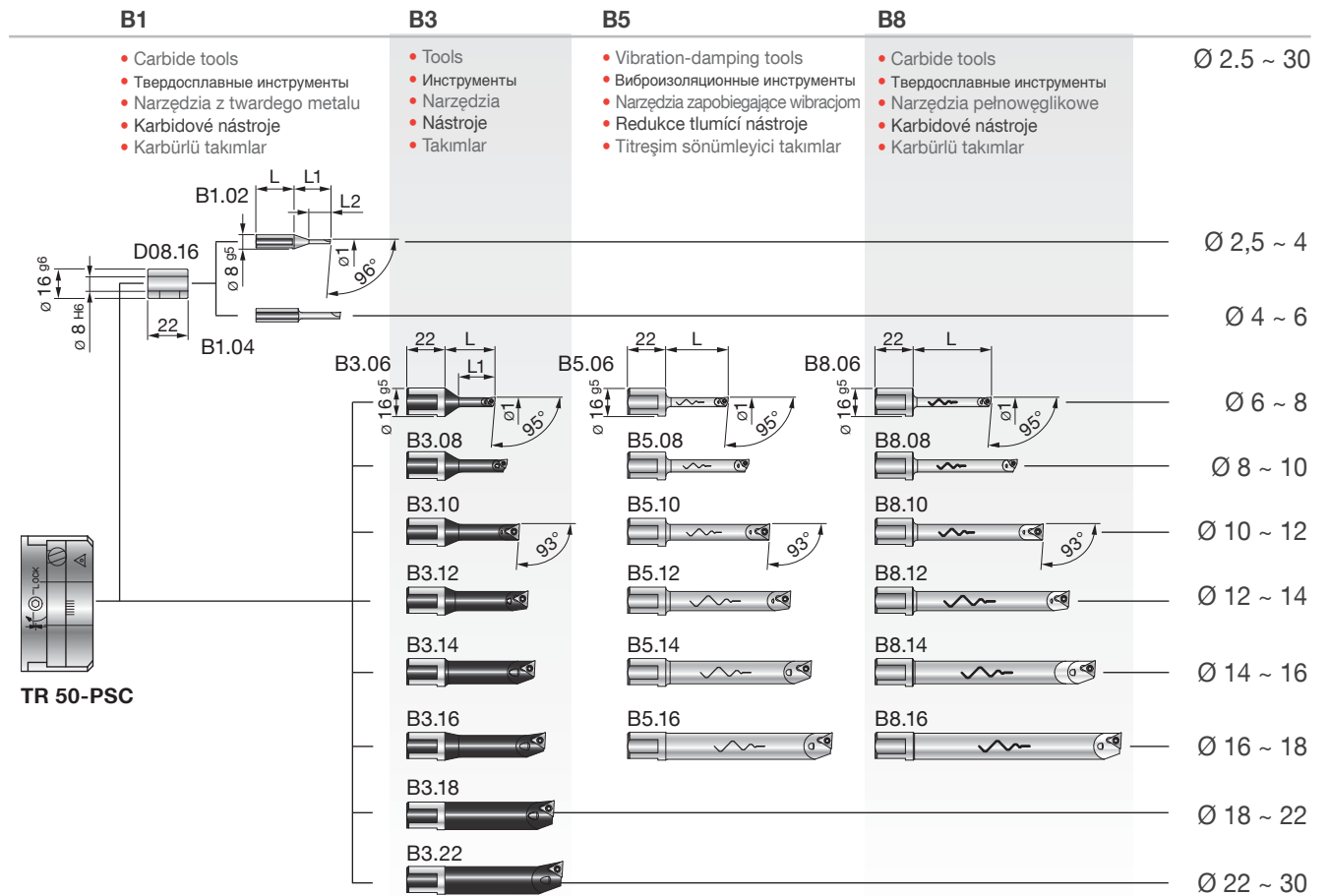
Ø 6 ~ 108



- | | | | |
|--------------|--------------|--------------|----------------------|
| 1 TR50-PSC40 | 1 TR50-PSC50 | 1 TR50-PSC63 | |
| 1 P25.63 | 1 B3.06 | 1 B3.22 | |
| 1 BM10 | 1 B3.08 | 1 SFTP25 | 1 TPGX 110302L DC100 |
| 1 PS 31.24 | 1 B3.11 | 1 SFTP32 | 5 TPGX 090202L DC100 |
| 1 CW 32 | 1 B3.16 | 1 SFTP50 | 2 WCGT 020102L DC100 |

REF.	CODE	Ø
KIT K01 TR 50 - PSC40	655060410501	6 ~ 108
KIT K01 TR 50 - PSC50	655060510501	
KIT K01 TR 50 - PSC63	655060610501	





REF.	CODE	Kg.
D08.16	200560116082	0.02

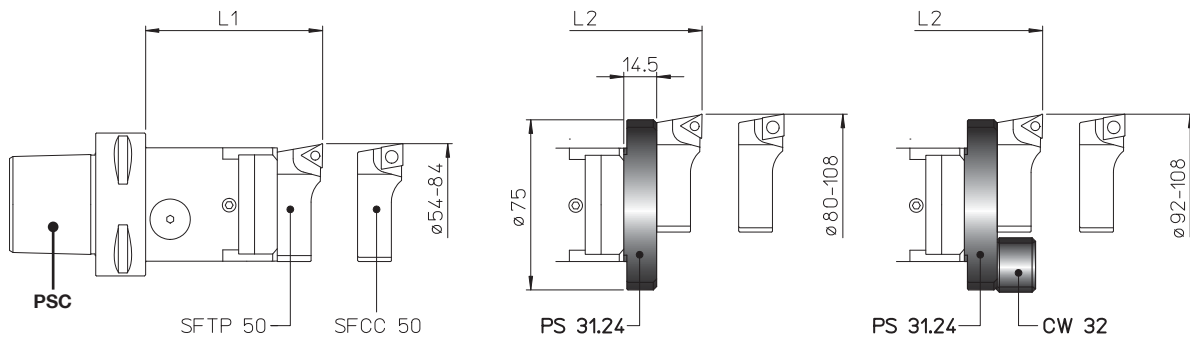
REF.	CODE	\varnothing 1	L	L1	L2	Kg.
B1.02	572010502001	2.5 ~ 4	22	21	12.5	0.02
B1.04	572010504001	4 ~ 6	24	24	-	

REF.	CODE	\varnothing 1	L	L1					Kg.
B3.06	572010506001	6 ~ 8	29	21	WCGT 0201..	-	TS 21	TORX T06	0.035
B3.08	572010508001	8 ~ 10	36	28					0.04
B3.10	572010510001	10 ~ 12	43	35	-	TPGX 0902..	CS 250 T	TORX T08	0.05
B3.11	572010511001	11 ~ 13	48	40					0.055
B3.12	572010512001	12 ~ 14	48	42					0.06
B3.14	572010514001	14 ~ 16	52	50					0.07
B3.16	572010516001	16 ~ 18	58	-	-	-	-	-	0.1
B3.18	572010518001	18 ~ 22	63	-					
B3.22	572010522001	22 ~ 30	68	-					

B5.06	572010506105	6 ~ 8	36	-	WCGT 0201..	-	TS 21	TORX T06	0.075
B5.08	572010508105	8 ~ 10	48						0.09
B5.10	572010510105	10 ~ 12	60	-	-	TPGX 0902..	CS 250 T	TORX T08	0.1
B5.12	572010512105	12 ~ 14	72						0.2
B5.14	572010514105	14 ~ 16	84						0.3
B5.16	572010516105	16 ~ 18	96	-	-	-	-	-	-

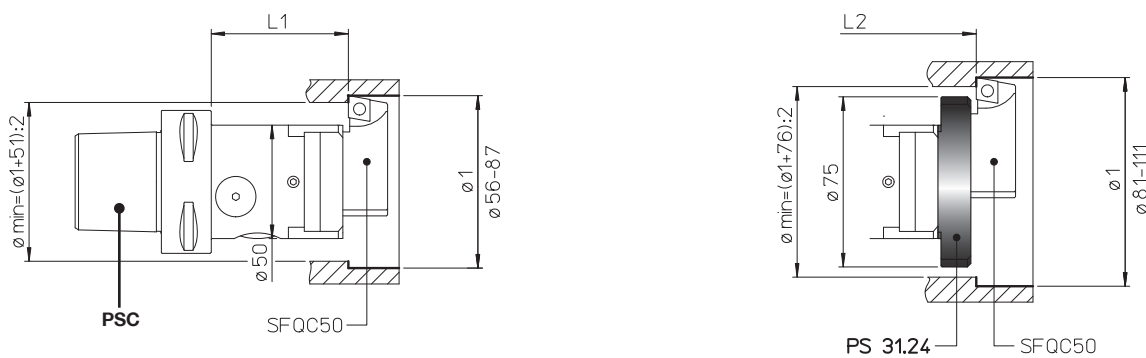
B8.06	572010506108	6 ~ 8	45	-	WCGT 0201..	-	TS 21	TORX T06	0.065
B8.08	572010508108	8 ~ 10	60						0.08
B8.10	572010510108	10 ~ 12	75	-	-	TPGX 0902..	CS 250 T	TORX T08	0.1
B8.12	572010512108	12 ~ 14	90						0.2
B8.14	572010514108	14 ~ 16	105						0.3
B8.16	572010516108	16 ~ 18	120						-

- TOOLHOLDERS FOR TESTAROSSA
- ДЕРЖАТЕЛИ ДЛЯ ГОЛОВКИ TESTAROSSA
- OPRAWKI NARZĘDZIOWE DO GŁOWIC TESTAROSSA
- NÁSTROJOVÉ DRŽÁKY PRO TESTAROSSA
- TESTAROSSA İÇİN TAKIM TUTUCULAR



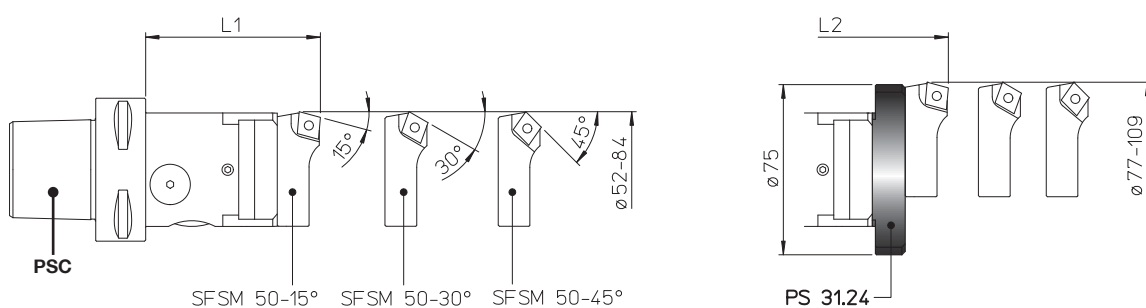
PS 31
CW 32
Ø 54~ 108

PSC	REF.	L1	L2
40	TR 50 - PSC 40	79	93
50	TR 50 - PSC 50		
63	TR 50 - PSC 63	77	91



PS 31
Ø 56 ~ 111

PSC	REF.	L1	L2
40	TR 50 - PSC 40	62	76
50	TR 50 - PSC 50		
63	TR 50 - PSC 63	60	74



PS 31
Ø 52 ~ 109

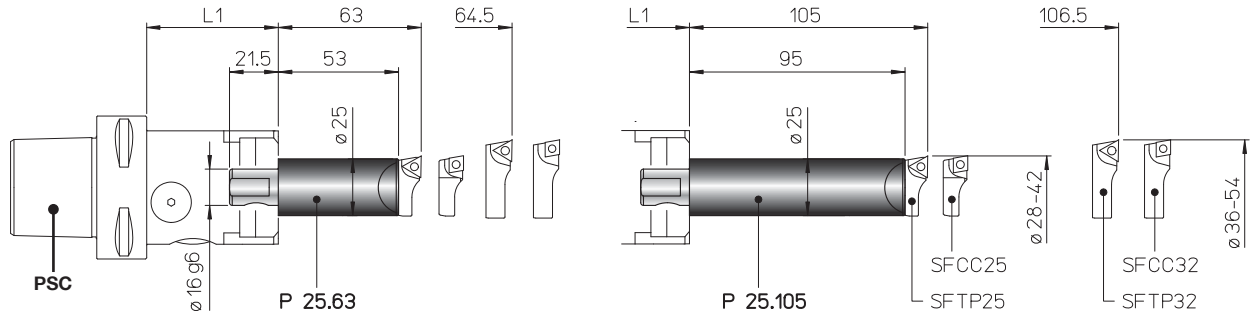
PSC	REF.	L1	L2
40	TR 50 - PSC 40	79	93
50	TR 50 - PSC 50		
63	TR 50 - PSC 63	77	91

REF.	CODE	Kg.
PS 31.24 TR..50	433024140751	0.19
CW 32	392011003201	0.07



- TOOLHOLDERS FOR TESTAROSSA
- ДЕРЖАТЕЛИ ДЛЯ ГОЛОВКИ TESTAROSSA
- OPRAWKI NARZĘDZIOWE DO GŁOWIC TESTAROSSA
- NÁSTROJOVÉ DRŽÁKY PRO TESTAROSSA
- TESTAROSSA İÇİN TAKIM TUTUCULAR

P 25
Ø 28 ~ 54

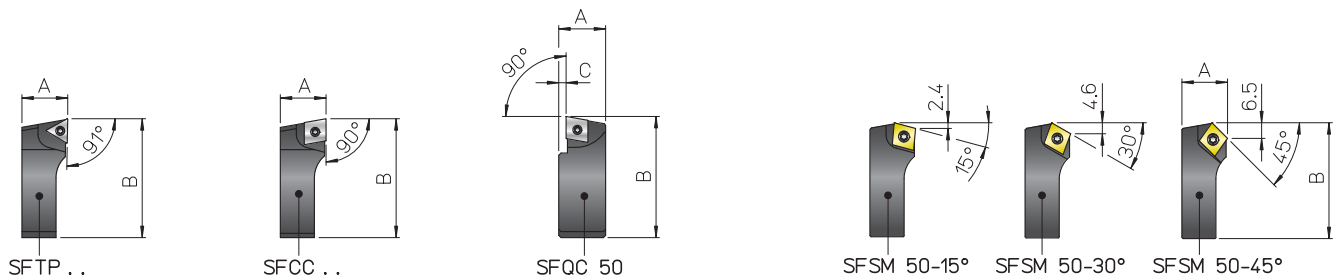


PSC	REF.	L1
40	TR 50 - PSC 40	60
50	TR 50 - PSC 50	
63	TR 50 - PSC 63	58

REF.	CODE	Kg.
P25.63 TR...	435116250631	0.5
P25.105 TR...	435116251051	0.8

- BIT-HOLDERS FOR TESTAROSSA
- КАССЕТЫ ДЛЯ ГОЛОВКИ TESTAROSSA
- OSTRZA DO GŁOWIC TESTAROSSA
- HROTOVÉ DRŽÁKY TESTAROSSA
- TESTAROSSA İÇİN MATKAP KOVANLARI

SF

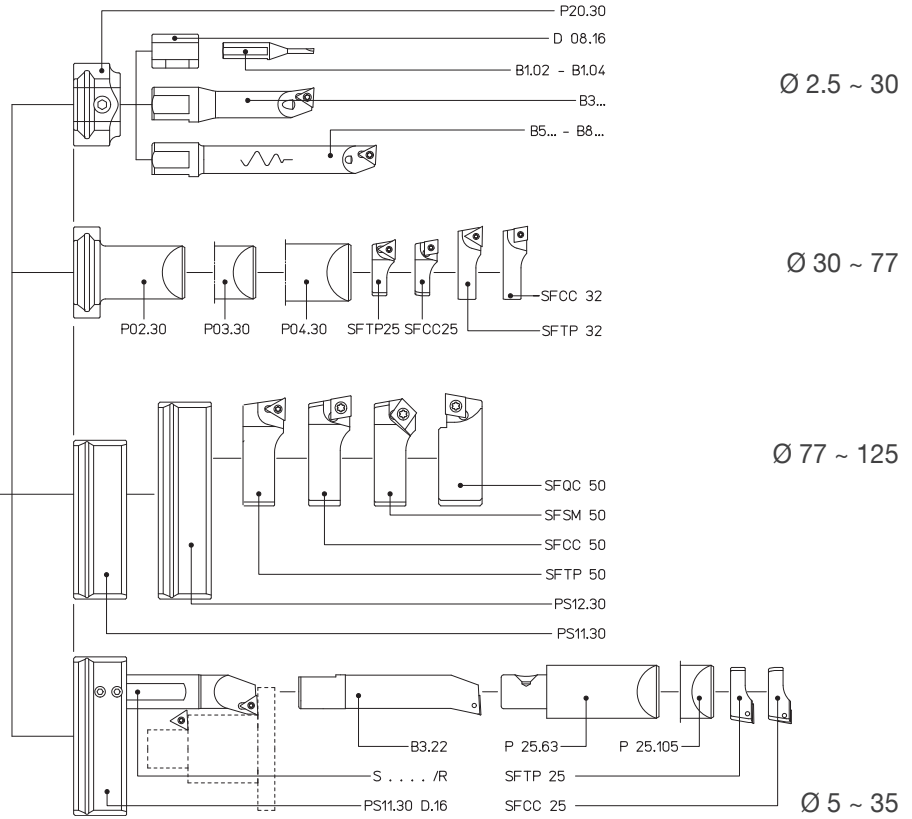
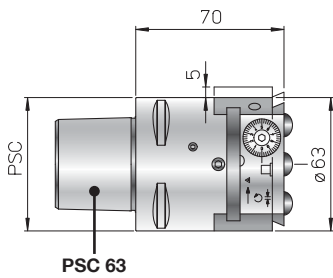


REF.	CODE	A	B	C	△	□	⊥	⌘	Kg.
SFTP 25	470500525001	10	26.5	-	TPGX 0902..	-	CS 250T	TORX T08	0.01
SFTP 32	470500532001	11.5	34.5	-	-	-	-		0.02
SFTP 50	470500550001	19	52	-	TPGX 1103..	-	CS 300890T		0.08
SFCC 25	470500525002	10	26.5	-	-	CCGT 0602..	TS 25	TORX T08	0.01
SFCC 32	470500532002	11.5	34.5	-	-	-	-	-	0.02
SFCC 50	470500550002	19	52	-	-	CCGT 09T3..	TS 4	TORX T15	0.08
SFQC 50	470500550062	20.5	53	3	-	CCMT 09T3..	TS 4	TORXT15	0.1
SFSM 50-15°	470500550011	19	50.5	-	-	CCMT 09T3..	TS 4	TORXT15	0.07
SFSM 50-30°	470500550013								
SFSM 50-45°	470500550015								



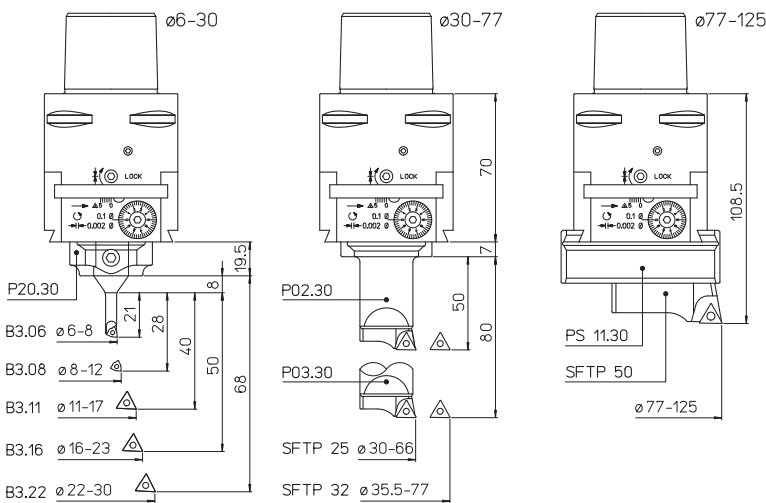


2 μm



REF.	CODE	kg
TR 63 - PSC 63	455056326060	1.5

KIT K01
 $\varnothing 6 \sim 125$

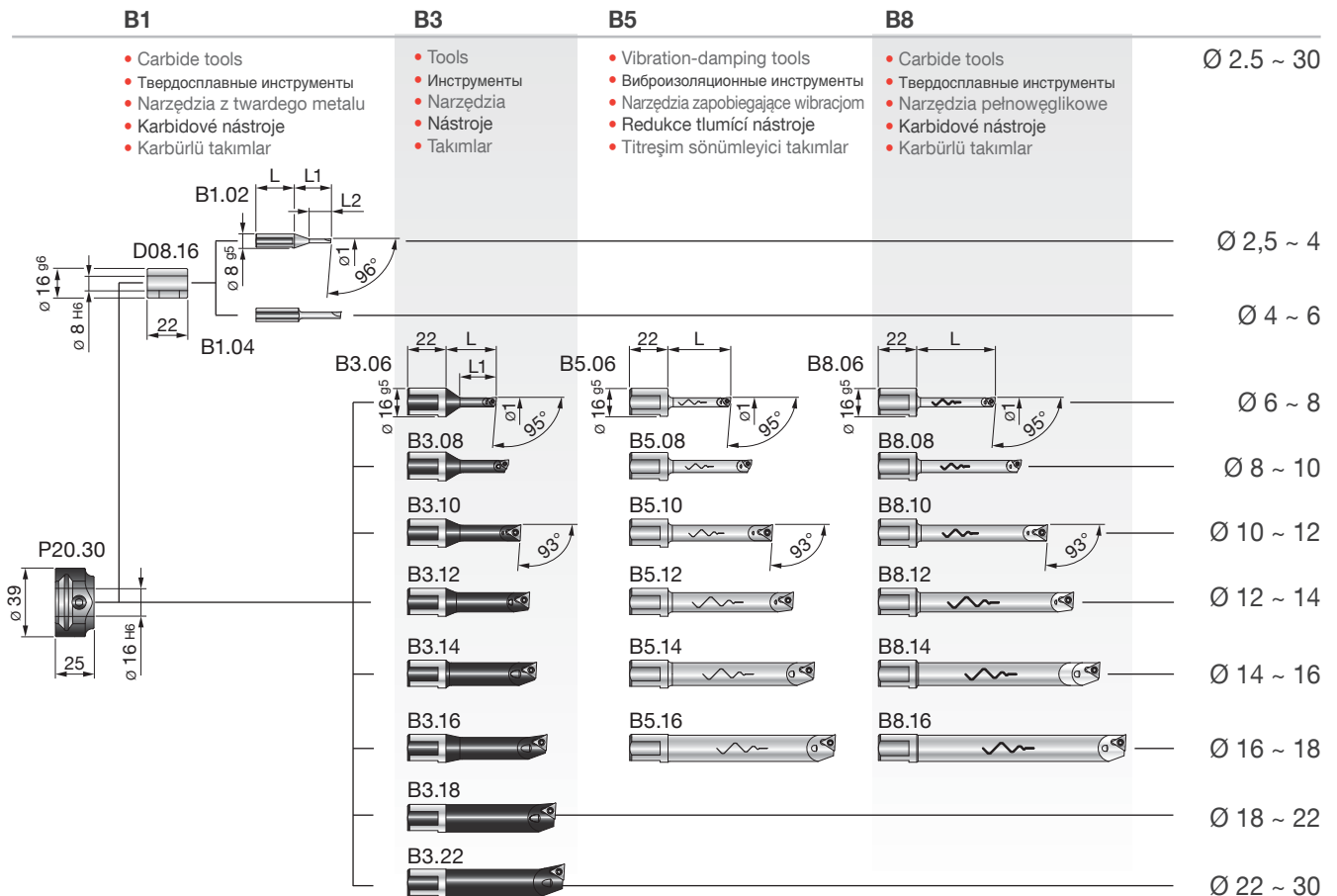


- 1 TR 63 - PSC 63
- 1 P20.30
- 1 P02.30
- 1 SFTP25
- 1 B3.06
- 1 PS11.30
- 1 P03.30
- 1 SFTP32
- 1 B3.08
- 5 TPGX 090202L DC100
- 1 SFTP50
- 1 B3.11
- 1 TPGX 110302L DC100
- 1 B3.16
- 2 WCGT 020102L DC100
- 1 B3.22

REF.	CODE	\varnothing
KIT K01 TR 63 - PSC63	655060610631	6 ~ 125

252 119 174 116 241





REF.	CODE	Kg.	REF.	CODE	Kg.
P20.30	431030160300	0.2	D08.16	200560116082	0.02

REF.	CODE	Ø1	L	L1	L2	Kg.
B1.02	572010502001	2.5 ~ 4	22	21	12.5	0.02
B1.04	572010504001	4 ~ 6	24	24	-	

REF.	CODE	Ø1	L	L1	△	△	🔩	🔩	Kg.		
B3.06	572010506001	6 ~ 8	29	21	WCGT 0201..	-	TS 21	TORX T06	0.035		
B3.08	572010508001	8 ~ 10	36	28					TS 211	0.04	
B3.10	572010510001	10 ~ 12	43	35			-	TPGX 0902..	CS 250 T	TORX T08	0.05
B3.11	572010511001	11 ~ 13	48	40							0.055
B3.12	572010512001	12 ~ 14	42	42	0.06						
B3.14	572010514001	14 ~ 16	52	50	0.07						
B3.16	572010516001	16 ~ 18	58	-	-	-	-	-	0.1		
B3.18	572010518001	18 ~ 22	63	-					0.1		
B3.22	572010522001	22 ~ 30	68	-					0.1		

B5.06	572010506105	6 ~ 8	36	-	WCGT 0201..	-	TS 21	TORX T06	0.075
B5.08	572010508105	8 ~ 10	48						TS 211
B5.10	572010510105	10 ~ 12	60		-	TPGX 0902..	CS 250 T	TORX T08	0.1
B5.12	572010512105	12 ~ 14	72						0.2
B5.14	572010514105	14 ~ 16	84						0.2
B5.16	572010516105	16 ~ 18	96						0.3

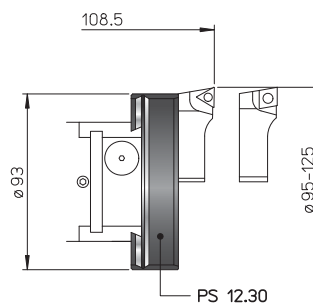
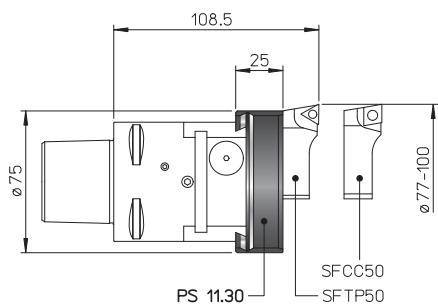
B8.06	572010506108	6 ~ 8	45	-	WCGT 0201..	-	TS 21	TORX T06	0.065
B8.08	572010508108	8 ~ 10	60						TS 211
B8.10	572010510108	10 ~ 12	75		-	TPGX 0902..	CS 250 T	TORX T08	0.1
B8.12	572010512108	12 ~ 14	90						0.2
B8.14	572010514108	14 ~ 16	105						0.2
B8.16	572010516108	16 ~ 18	120						0.3

ISO 26623-1

- TOOLHOLDERS FOR TESTAROSSA
- ДЕРЖАТЕЛИ ДЛЯ ГОЛОВКИ TESTAROSSA
- OPRAWKI NARZĘDZIOWE DO GŁOWIC TESTAROSSA
- NÁSTROJOVÉ DRŽÁKY PRO TESTAROSSA
- TESTAROSSA İÇİN TAKIM TUTUCULAR

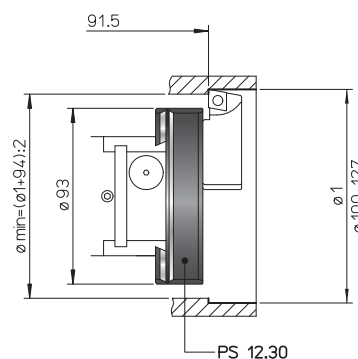
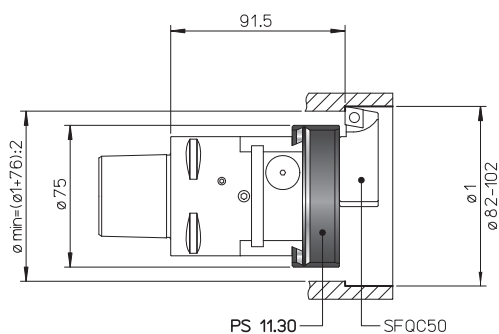
PS

Ø 77 ~ 125



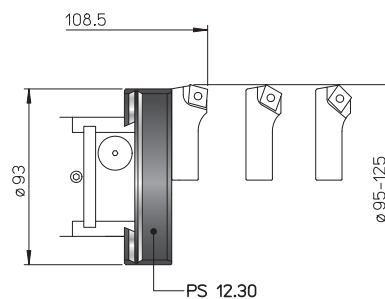
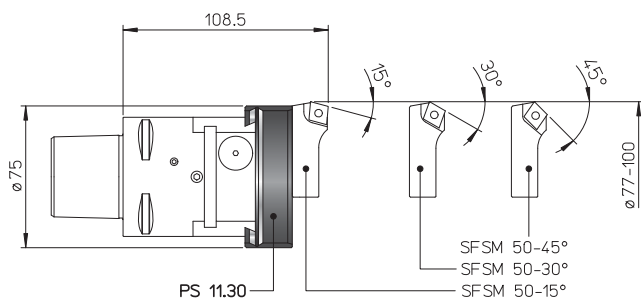
PS

Ø 82 ~ 127



PS

Ø 77 ~ 125



REF.	CODE	Kg.
PS 11.30	433030260750	0.4
PS 12.30	433030260950	0.5

119



175

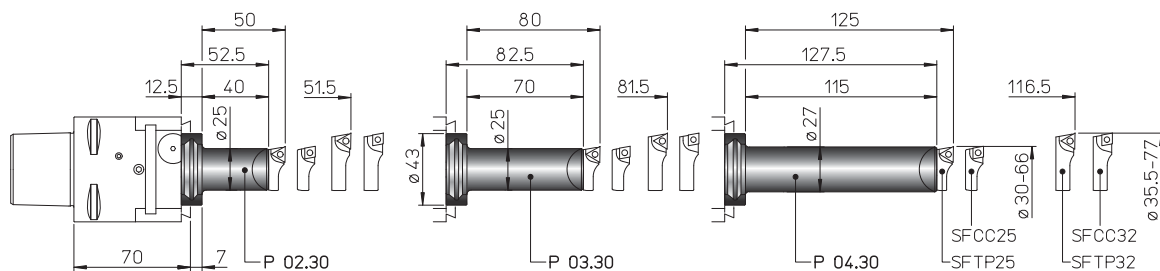


116



- TOOLHOLDERS FOR TESTAROSSA
- ДЕРЖАТЕЛИ ДЛЯ ГОЛОВКИ TESTAROSSA
- OPRAWKI NARZĘDZIOWE DO GŁOWIC TESTAROSSA
- NÁSTROJOVÉ DRŽÁKY PRO TESTAROSSA
- TESTAROSSA İÇİN TAKIM TUTUCULAR

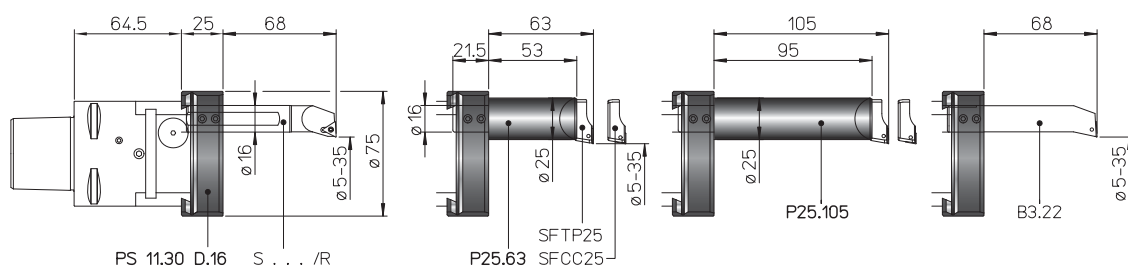
P
Ø 30 ~ 77



REF.	CODE	Kg.
P02.30	431030250400	0.3
P03.30	431030250700	0.4
P04.30	431030251150	0.7

- TESTAROSSA EXTERNAL TURNING
- TESTAROSSA ВНЕШНЕГО ОБТАЧИВАНИЯ
- TESTAROSSA TROCZENIE ZEWNĘTRZNE
- EXTERNÍ SOUSTRUŽENÍ TESTAROSSA
- TESTAROSSA DIŞ TORNALAMA

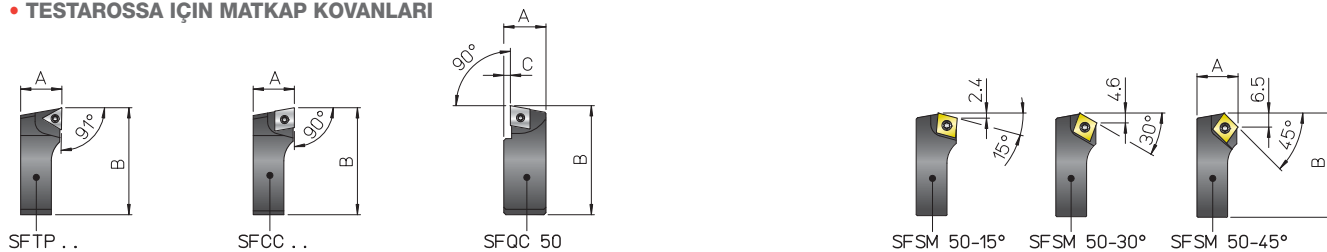
PS + P25
Ø 5 ~ 35



REF.	CODE	Kg.
PS 11.30 D.16	433030260755	0.4
P25.63 TR...	435116250631	0.5
P25.105 TR...	435116251051	0.8

- BIT-HOLDERS FOR TESTAROSSA
- КАССЕТЫ ДЛЯ ГОЛОВКИ TESTAROSSA
- OSTRZA DO GŁOWIC TESTAROSSA
- HROTOVÉ DRŽÁKY TESTAROSSA
- TESTAROSSA İÇİN MATKAP KOVANLARI

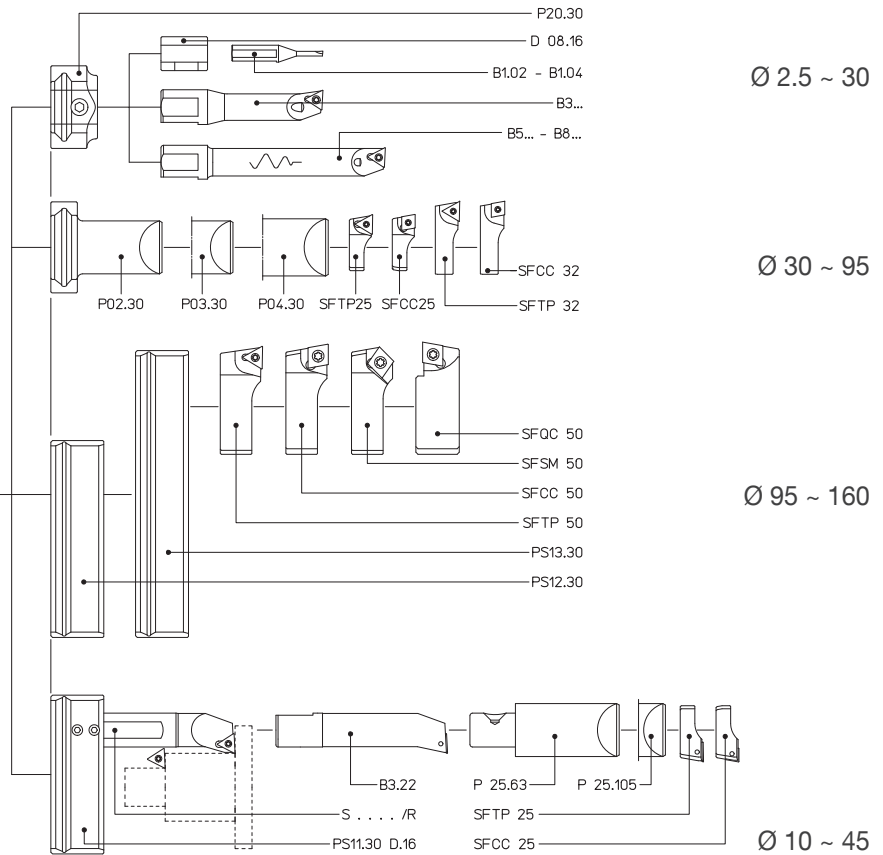
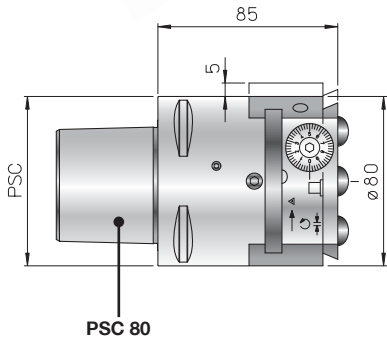
SF



REF.	CODE	A	B	C	⚠	⊗	⏏	🔩	Kg.
SFTP 25	470500525001	10	26.5	-	TPGX 0902..	-	CS 250T	TORX T08	0.01
SFTP 32	470500532001	11.5	34.5	-	-	-	-	TORX T08	0.02
SFTP 50	470500550001	19	52	-	TPGX 1103..	-	CS 300890T	TORX T15	0.08
SFCC 25	470500525002	10	26.5	-	-	CCGT 0602..	TS 25	TORX T08	0.01
SFCC 32	470500532002	11.5	34.5	-	-	-	-	TORX T08	0.02
SFCC 50	470500550002	19	52	-	-	CCGT 09T3..	TS 4	TORX T15	0.08
SFQC 50	470500550062	20.5	53	3	-	CCMT 09T3..	TS 4	TORXT15	0.1
SFSM 50-15°	470500550011	19	50.5	-	-	CCMT 09T3..	TS 4	TORXT15	0.07
SFSM 50-30°	470500550013								
SFSM 50-45°	470500550015								

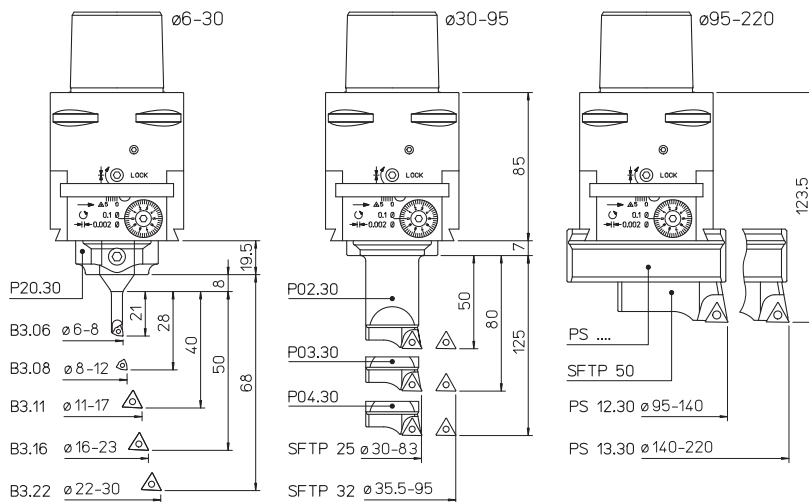


2 μm



REF.	CODE	kg
TR 80 - PSC 80	455058026080	2.5

KIT K01
 $\varnothing 6 \sim 220$

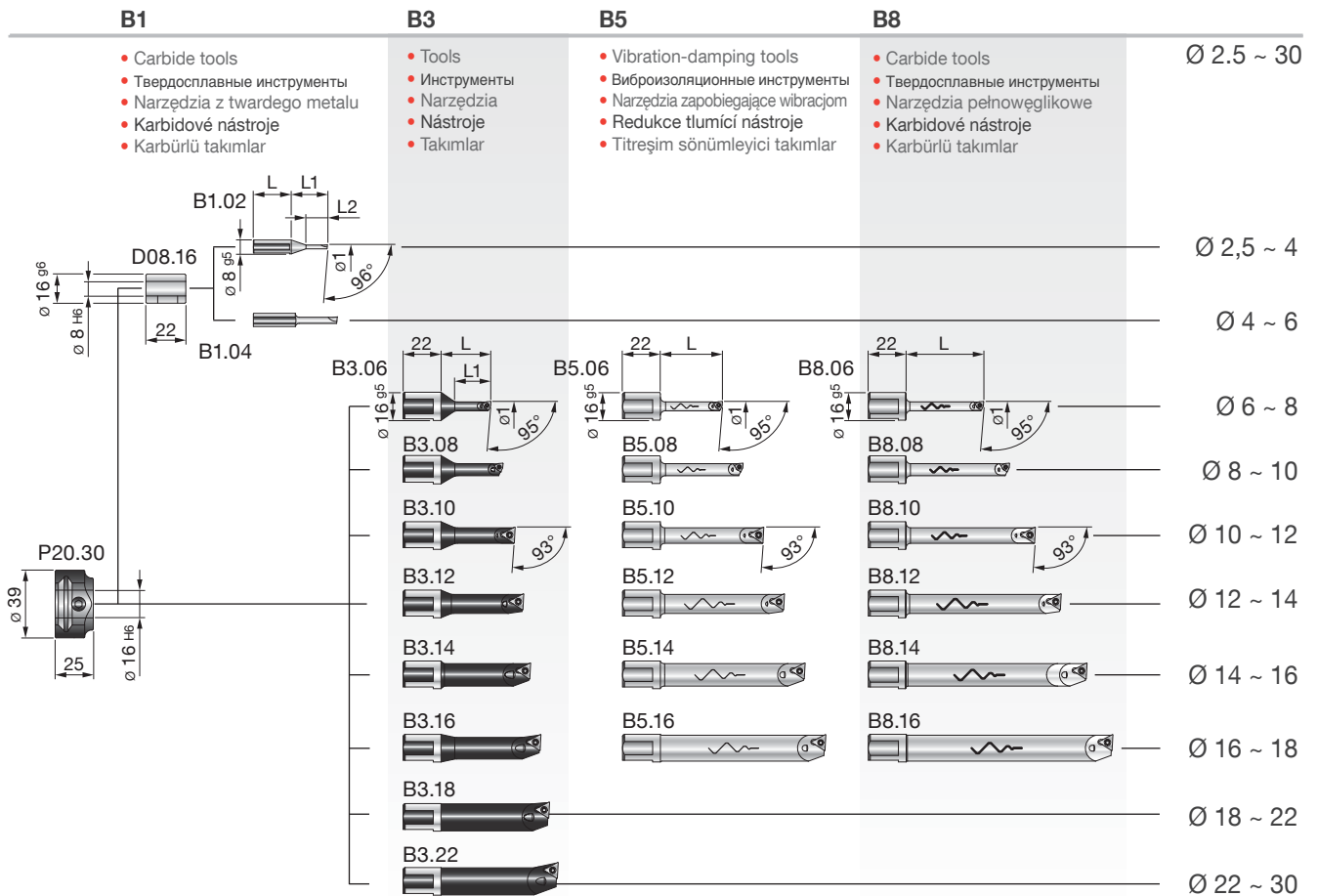


- 1 TR 80 - PSC 80
- 1 P20.30
- 1 P02.30
- 1 SFTP25
- 1 B3.06
- 1 PS12.30
- 1 P03.30
- 1 SFTP32
- 1 B3.08
- 1 PS13.30
- 1 P04.30
- 1 SFTP50
- 1 B3.12
- 5 TPGX 090202L DC100
- 1 B3.16
- 1 TPGX 110302L DC100
- 1 B3.22
- 2 WCGT 020102L DC100

REF.	CODE	\varnothing
KIT K01 TR 80 - PSC80	655060810801	6 ~ 220

252 119 174 116 241





REF.	CODE	Kg.
P20.30	431030160300	0.2

REF.	CODE	Kg.
D08.16	200560116082	0.02

REF.	CODE	Ø1	L	L1	L2	Kg.
B1.02	572010502001	2.5 ~ 4	22	21	12.5	0.02
B1.04	572010504001	4 ~ 6	24	24	-	

REF.	CODE	Ø1	L	L1	△	△	🔧	🔧	Kg.		
B3.06	572010506001	6 ~ 8	29	21	WCGT 0201..	-	TS 21	TORX T06	0.035		
B3.08	572010508001	8 ~ 10	36	28					TS 211	0.04	
B3.10	572010510001	10 ~ 12	43	35			-	TPGX 0902..	CS 250 T	TORX T08	0.05
B3.11	572010511001	11 ~ 13	48	40							0.055
B3.12	572010512001	12 ~ 14	42	42	0.06						
B3.14	572010514001	14 ~ 16	52	50	-	TPGX 0902..	CS 250 T	TORX T08	0.07		
B3.16	572010516001	16 ~ 18	58	58					0.07		
B3.18	572010518001	18 ~ 22	63	63					0.1		
B3.22	572010522001	22 ~ 30	68	-	-	-	-	-	0.1		

B5.06	572010506105	6 ~ 8	36	-	WCGT 0201..	-	TS 21	TORX T06	0.075
B5.08	572010508105	8 ~ 10	48						TS 211
B5.10	572010510105	10 ~ 12	60		-	TPGX 0902..	CS 250 T	TORX T08	0.1
B5.12	572010512105	12 ~ 14	72						0.2
B5.14	572010514105	14 ~ 16	84						0.2
B5.16	572010516105	16 ~ 18	96						0.3

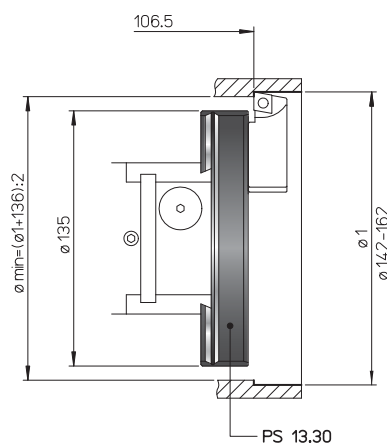
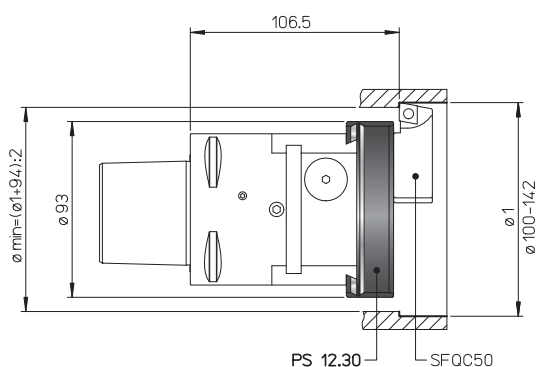
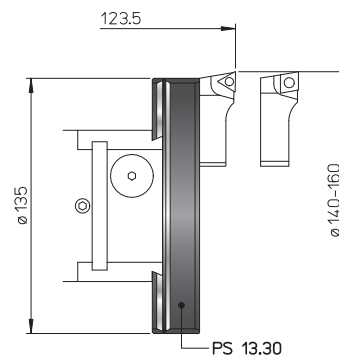
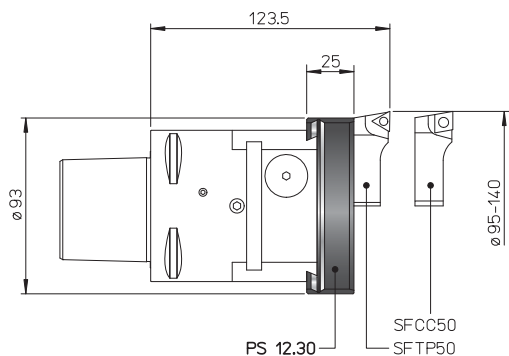
B8.06	572010506108	6 ~ 8	45	-	WCGT 0201..	-	TS 21	TORX T06	0.065
B8.08	572010508108	8 ~ 10	60						TS 211
B8.10	572010510108	10 ~ 12	75		-	TPGX 0902..	CS 250 T	TORX T08	0.1
B8.12	572010512108	12 ~ 14	90						0.2
B8.14	572010514108	14 ~ 16	105						0.2
B8.16	572010516108	16 ~ 18	120						0.3

ISO 26623-1

- TOOLHOLDERS FOR TESTAROSSA
- ДЕРЖАТЕЛИ ДЛЯ ГОЛОВКИ TESTAROSSA
- OPRAWKI NARZĘDZIOWE DO GŁOWIC TESTAROSSA
- NÁSTROJOVÉ DRŽÁKY PRO TESTAROSSA
- TESTAROSSA İÇİN TAKIM TUTUCULAR

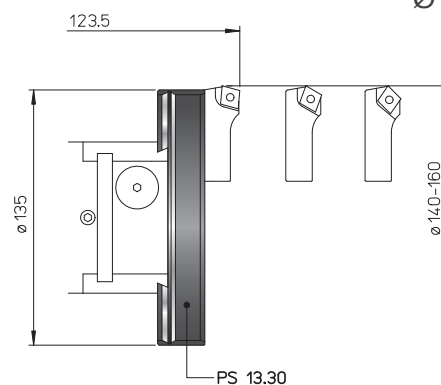
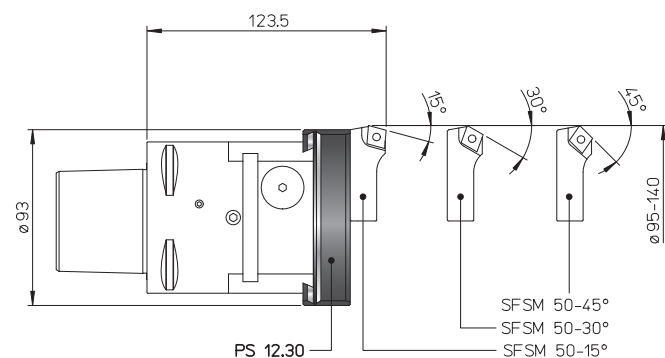
PS

Ø 95 ~ 160



PS

Ø 100 ~ 162



PS

Ø 95 ~ 160

REF.	CODE	Kg.
PS 12.30	433030260950	0.5
PS 13.30	433030261400	0.7

119



175

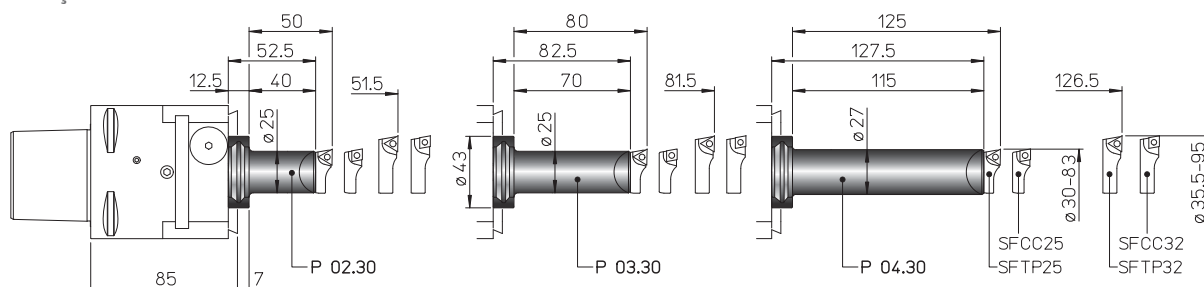


116



- TOOLHOLDERS FOR TESTAROSSA
- ДЕРЖАТЕЛИ ДЛЯ ГОЛОВКИ TESTAROSSA
- OPRAWKI NARZĘDZIOWE DO GŁOWIC TESTAROSSA
- NÁSTROJOVÉ DRŽÁKY PRO TESTAROSSA
- TESTAROSSA İÇİN TAKIM TUTUCULAR

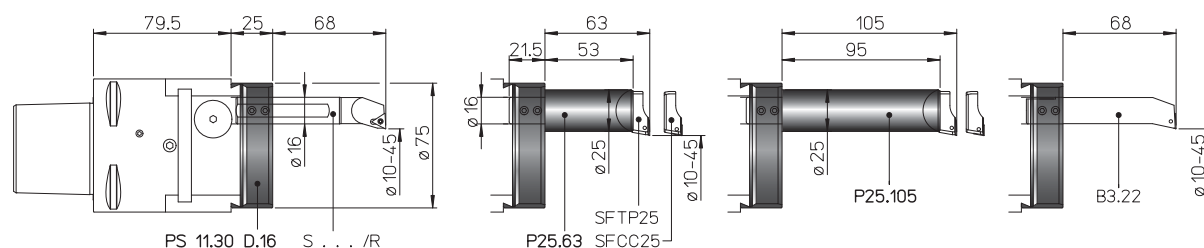
P
Ø 30 ~ 95



REF.	CODE	Kg.
P02.30	431030250400	0.3
P03.30	431030250700	0.4
P04.30	431030251150	0.7

- TESTAROSSA EXTERNAL TURNING
- TESTAROSSA ВНЕШНЕГО ОБТАЧИВАНИЯ
- TESTAROSSA TOCZENIE ZEWNĘTRZNE
- EXTERNÍ SOUSTRUŽENÍ TESTAROSSA
- TESTAROSSA DIŞ TORNALAMA

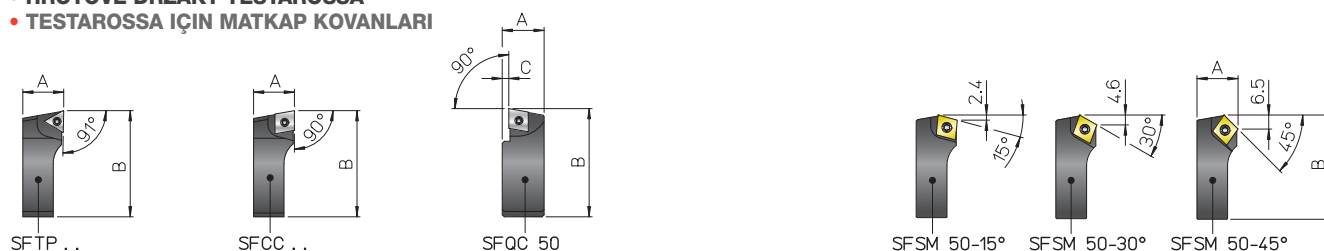
PS + P25
Ø 10 ~ 45



REF.	CODE	Kg.
PS 11.30 D.16	433030260755	0.4
P25.63 TR...	435116250631	0.5
P25.105 TR...	435116251051	0.8

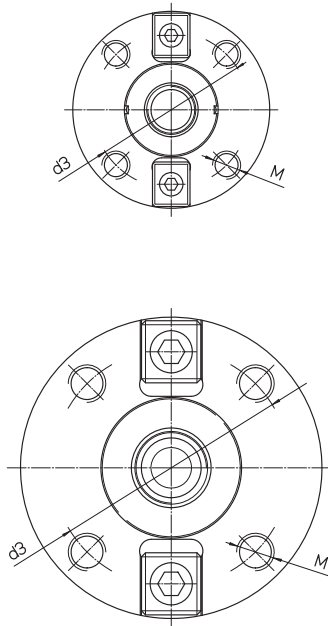
- BIT-HOLDERS FOR TESTAROSSA
- КАССЕТЫ ДЛЯ ГОЛОВКИ TESTAROSSA
- OSTRZA DO GŁOWIC TESTAROSSA
- HROTOVÉ DRŽÁKY TESTAROSSA
- TESTAROSSA İÇİN MATKAP KOVANLARI

SF



REF.	CODE	A	B	C	⚠	⊞	⊞	⊞	Kg.
SFTP 25	470500525001	10	26.5	-	TPGX 0902..	-	CS 250T	TORX T08	0.01
SFTP 32	470500532001	11.5	34.5	-	-	-	-	-	0.02
SFTP 50	470500550001	19	52	-	TPGX 1103..	-	CS 300890T	-	0.08
SFCC 25	470500525002	10	26.5	-	-	CCGT 0602..	TS 25	TORX T08	0.01
SFCC 32	470500532002	11.5	34.5	-	-	-	-	-	0.02
SFCC 50	470500550002	19	52	-	-	CCGT 09T3..	TS 4	TORX T15	0.08
SFQC 50	470500550062	20.5	53	3	-	CCMT 09T3..	TS 4	TORXT15	0.1
SFSM 50-15°	470500550011	19	50.5	-	-	CCMT 09T3..	TS 4	TORXT15	0.07
SFSM 50-30°	470500550013								
SFSM 50-45°	470500550015								

- MILL HOLDER
- ОПРАВКА ДЛЯ ФРЕЗ
- OPRAWKA FREZARSKA
- FRÉZOVACÍ DRŽÁK
- FREZE TUTUCU



PSC-PF
ISO 26623-1

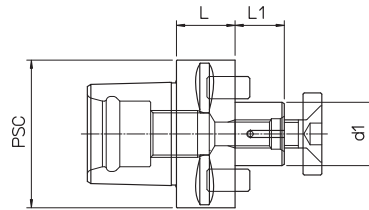


fig.1

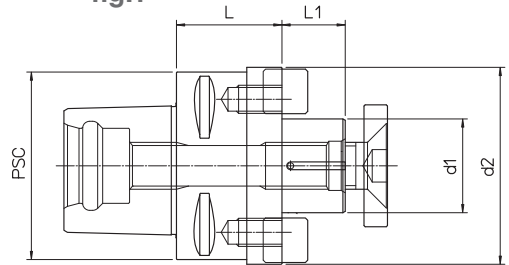


fig.2

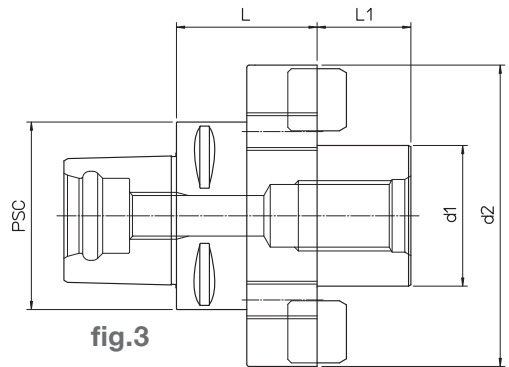


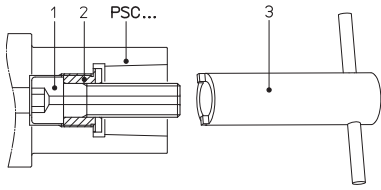
fig.3

PSC	REF.	CODE	d1	d2	d3	M	L	L1	kg	fig.
40	PSC 40 PF22.25	71PSC-040PF2202	22	-	-	-	25	19	0.3	1
50	PSC 50 PF22.25	71PSC-050PF2202							0.5	
	PSC 50 PF27.25	71PSC-050PF2702	0.6							
63	PSC 63 PF27.25	71PSC-063PF2702	0.8							
	PSC 63 PF32.25	71PSC-063PF3202	0.9							
80	PSC 80 PF32.30	71PSC-080PF3203	32					30	1.8	
	PSC 80 PF40.45	71PSC-080PF4004	40	84	66.7	M12	45	27	2.4	2
	PSC 80 PF60.60	71PSC-080PF6006	60	128.5	101.6	M16	60	40	5.2	3



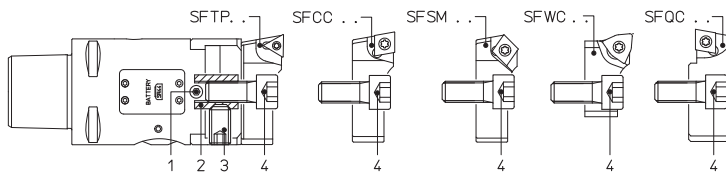
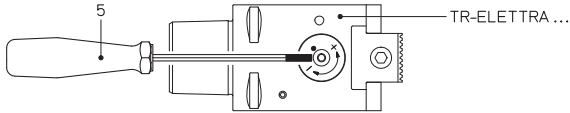
- SPARE PARTS
- ЗАПАСНЫЕ ЧАСТИ
- CZĘŚCI ZAMIENNE
- NÁHRADNÍ DÍLY
- YEDEK PARÇALAR

PSC



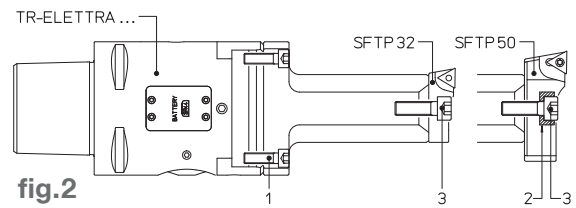
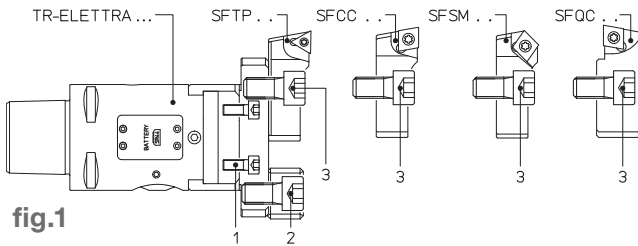
PSC	CODE 1	CODE 2	CODE 3
40	200100151445	201032215004	101501402100
50	200100151655	201032515003	101501402400
63	200101152065	201033015016	101501403000
80			

TR-ELETTRA



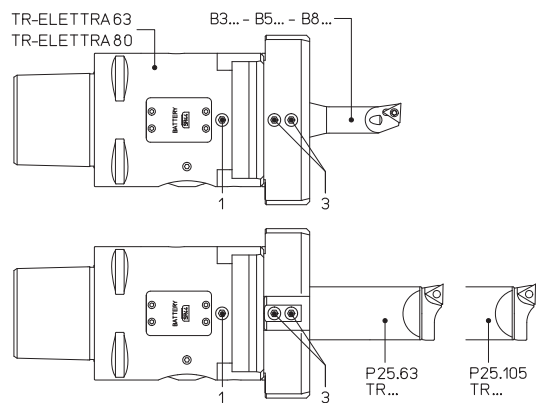
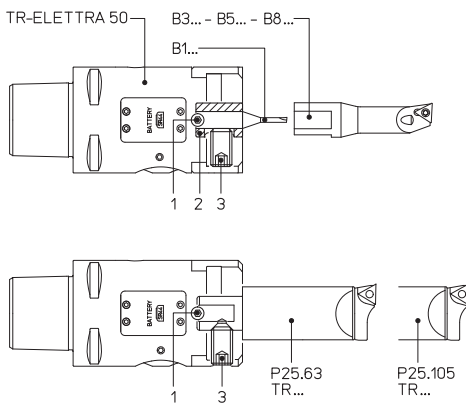
REF.	CODE 1	CODE 2	CODE 3	CODE 4	CODE 5
TR-ELETTRA 50	100238060010	201041015002	100231100016	100051100025	101500800300
TR-ELETTRA 63		-	-	100051100020	
TR-ELETTRA 80	200100150614	-	-	100051100025	

TR-ELETTRA



REF.	CODE 1	CODE 2	CODE 3	fig
TR-ELETTRA 50	200100150501	100051100020	100051100025	1
TR-ELETTRA 63	100051050025			
TR-ELETTRA 80	100051050016	201040607001	100051006020	2

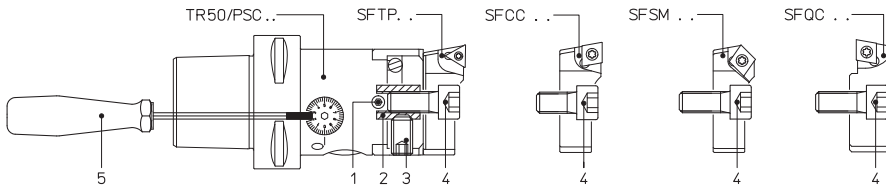
TR-ELETTRA



REF.	CODE 1	CODE 2	CODE 3
TR-ELETTRA 50	100238060010	200560116082	100231100016
TR-ELETTRA 63		-	100231060006
TR-ELETTRA 80	2001000150614	-	-

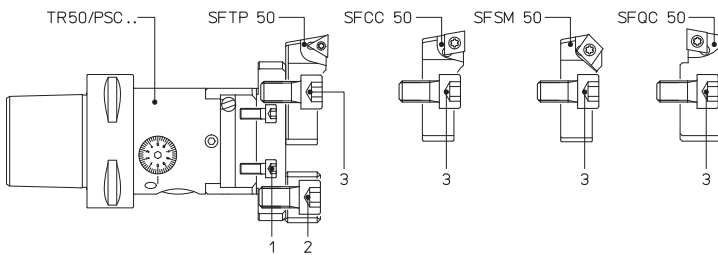
- SPARE PARTS
- ЗАПАСНЫЕ ЧАСТИ
- CZĘŚCI ZAMIENNE
- NÁHRADNÍ DÍLY
- YEDEK PARÇALAR

TR-PSC



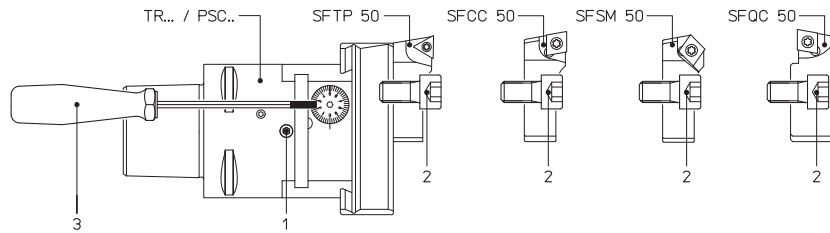
REF.	CODE 1	CODE 2	CODE 3	CODE 4	CODE 5
TR 50 PSC 40-50-63	100271050008	201041015002	100231100016	100051100025	101500800250

TR-PSC



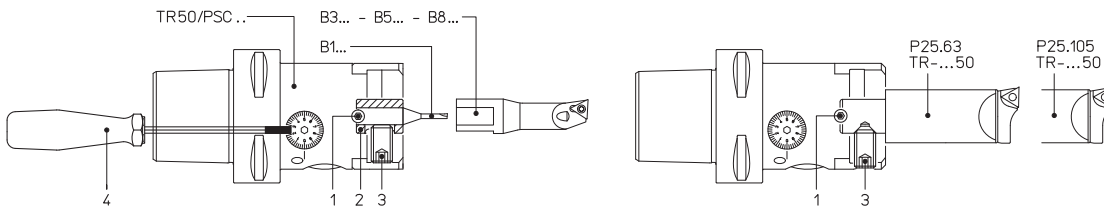
REF.	CODE 1	CODE 2	CODE 3
TR 50 - PSC 40-50-63	200100150501	100051100020	100051100025

TR-PSC



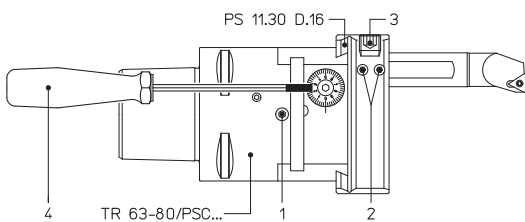
REF.	CODE 1	CODE 2	CODE 3
TR 63 - PSC 63	100251060010	100051100018	101500800300
TR 80 - PSC 80	100251060014		

TR-PSC



REF.	CODE 1	CODE 2	CODE 3	CODE 4
TR50 PSC40-50-63	100271050008	200560116082	100231100010	101500800250

TR-PSC

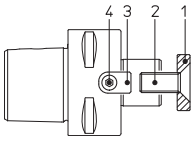


REF.	CODE 1	CODE 2	CODE 3	CODE 4
TR63 PSC63 TR80 PSC80	100251060014	100231050006	100231100010	101500800300



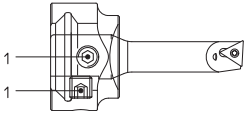
- SPARE PARTS
- ЗАПАСНЫЕ ЧАСТИ
- CZĘŚCI ZAMIENNE
- NÁHRADNÍ DÍLY
- YEDEK PARÇALAR

PSC - PF



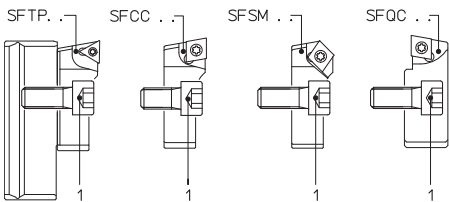
REF.	CODE 1	CODE 2	CODE 3	CODE 4
PF 22	201010105030	100101100025	201101801002	100051040010
PF 27	201010125030	100101120030	201101801202	100051050012
PF 32	201010165020	100101160035	201101801402	100051060016
PF 40	201010210010	100101200045	201101801603	100051060018
PF 60	-	-	201101802510	100051120025

P 20.30



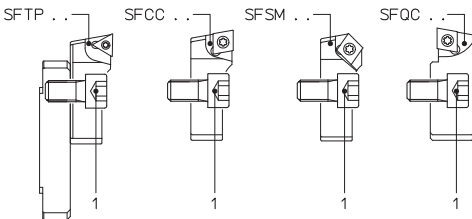
REF.	CODE 1
P20.30	100251080008

PS



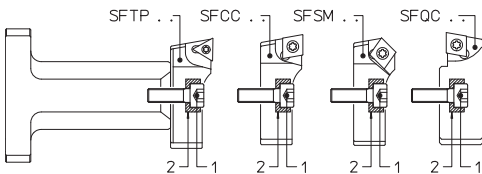
REF.	CODE 1
PS 11.30	100051100018
PS 12.30	
PS 13.30	
PS 11.40	100051100025
PS 12.40	
PS 13.40	
PS 14.40	

PS



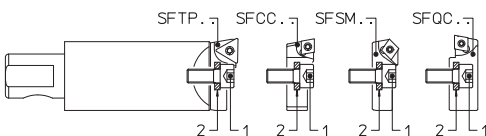
REF.	CODE 1
PS31.24	100051100020
PS31.28	100051100025
PS32.28	
PS33.28	

P 22.28



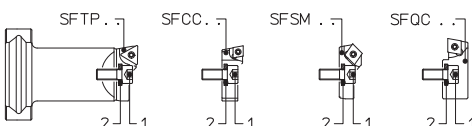
REF.	CODE 1	CODE 2
P22.28	100051060020	201040607001

P 25



REF.	CODE 1	CODE 2
P25.63	100051050012	100800100530
P25.105		

P



REF.	CODE 1	CODE 2
P 00.30	100051050012	100800100530
P 03.30		
P 04.30		
P 02.40	100051060018	100800100640
P 03.40		
P 04.40		

p. 240



p. 240



p. 240



p. 178 DIN 69893 HSK-A

p. 179 ISO 26623-1 PSC

p. 180 DIN 69871 AD+B

p. 181 MAS 403 BT AD+B

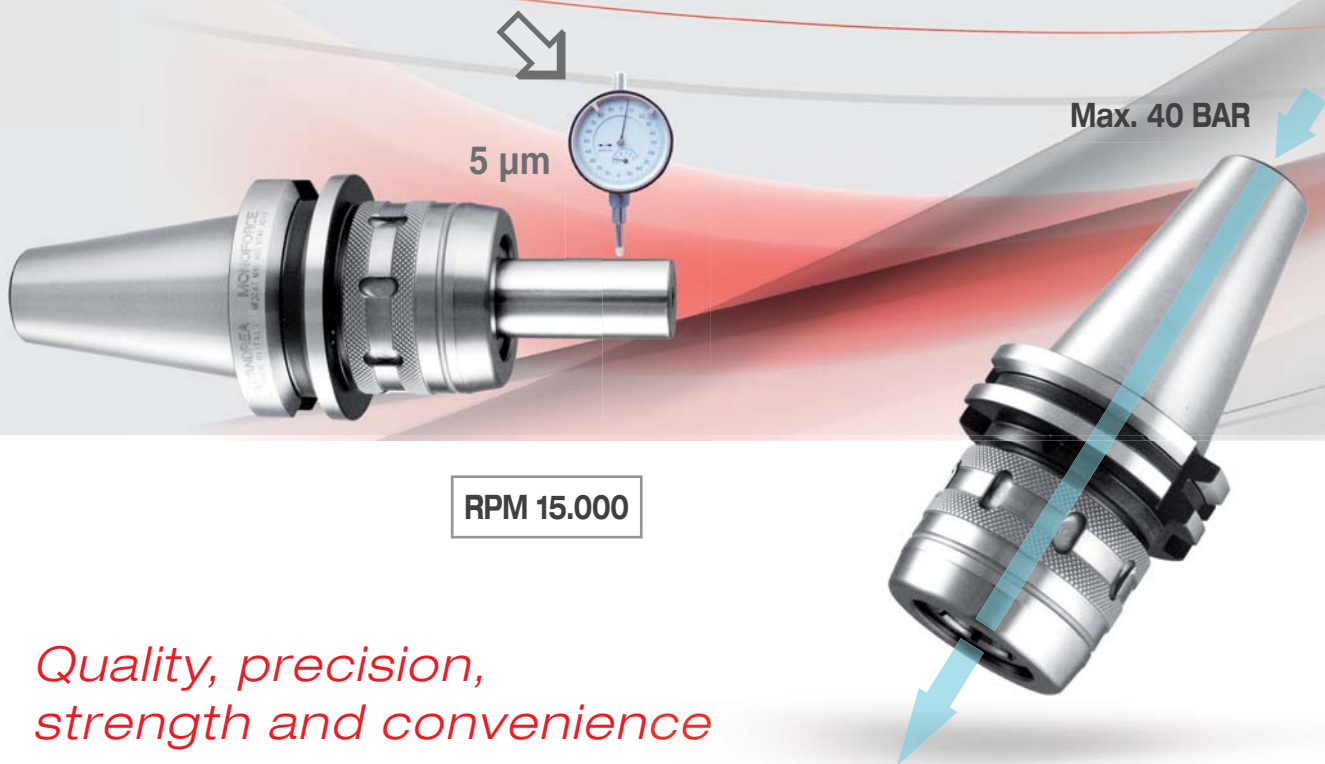
p. 182 DIN 69871 AD+B FC
FACE CONTACT

p. 183 MAS 403 BT AD+B FC
FACE CONTACT

KIT MONOFORCE

p. 178 HSK
p. 179 PSC
p. 180 DIN
p. 181 BT
p. 182 DIN FACE CONTACT
p. 183 BT FACE CONTACT





*Quality, precision,
strength and convenience*

- HIGH PRECISION ULTRA-TIGHT TOOLHOLDER
- ВЫСОКОЖЕСТКИЕ СВЕРХТОЧНЫЕ ДЕРЖАТЕЛИ
- OPRAWKA PRECYZYJNA O DUŻEJ SILE ZACISKU
- VYSOCE PŘESNÝ A VELMI PEVNÝ NÁSTROJOVÝ DRŽÁK
- YÜKSEK HASSASİYETLİ ULTRA SIKI TAKIM TUTUCU

GB MONOforce is a addition to D'Andrea range of tool holders, which complements the existing balanceable FORCE chuck from Toprun family. This new chuck provides an economical and innovative solution for tool holding, where precision and high clamping forces for the cutting tool are required. MONOforce is available with tapers conforming to DIN 69871, MAS-BT and both in ISO 40 and 50 sizes, and also HSK 63 and 100, ISO 26623-1 PSC 63 and 80. The chuck accepts reduction bushes to suit cutters having shank sizes ranging from Ø 3 mm. to Ø 25 mm. MONOforce can also be supplied in kit form, which includes of a set of reduction bushes and clamping wrench. MONOforce toolholders are manufactured by D'Andrea in their modern manufacturing plants in Italy.

RU MONOforce представляют собой идеальное экономичное решение для оснащения любого типа станков, где требуются операции высокой точности при зажиме инструмента подверженного сильным нагрузкам кручения. MONOforce является частью Toprun, известной запатентованной системой интегральных балансируемых держателей. Программа MONOforce производится в версии для шпинделей HSK 63 и 100, ISO 26623-1 PSC 63 и 80, а также DIN 69871 и MAS-BT, выполненных в размерах ISO 40 и 50 и предполагает использование переходных стандартных втулок Ø 12, 20 и 32мм, имеющих в диапазоне всех стандартных диаметров и совместимых с этими диаметрами гнезд для зажимов от Ø 3 мм до Ø 25 мм. Держатели MONOforce, полностью произведенные компанией Д'Андреа имеются также в комплектах с соединительными втулками и зажимным ключом.

PL MONOforce jest idealnym i tanim rozwiązaniem przeznaczonym do wyposażenia wszelkiego rodzaju obrabiarek, wszędzie tam, gdzie wymaga się wysokiej dokładności i niezbędny jest mocny zacisk narzędzi, podlegających dużym obciążeniom skrętnym. MONOforce dołącza do już znanego Force z rodziny Toprun, który jest opatentowanym systemem wyrównoważalnych opravek zintegrowanych. Program MONOforce dostępny jest w wersjach do wrzecion obrabiarek HSK 63 i 100, ISO 26623-1 PSC 63 i 80, DIN 69871, MAS-BT w wielkościach 40 i 50. Oprawki wykorzystują tulejki redukcyjne ze średnic 12, 20 i 32 mm. Do dyspozycji mamy całą gamę tulei umożliwiających mocowanie narzędzi z chwytami o średnicach od Ø 3 mm do Ø 25 mm. Oprawki MONOforce, w całości wykonywane są w firmie D'Andrea. Są do nabycia także w praktycznych, kompletnych zestawach, zawierających tulejki redukcyjne i klucz montażowy.

CZ MONOforce je doplňkem k řadě nástrojových držáků společnosti D'Andrea, který doplňuje stávající vyvažovatelný upínák FORCE z řady Toprun. Tento nový upínák poskytuje úsporné a inovativní řešení držáků nástrojů, u kterých je požadována přesnost a velké upínací síly frézovacích nástrojů. MONOforce je k dispozici s kulemi, které jsou v souladu s DIN 69871, MAS-BT a velikostech ISO 40 a 50, jakož i HSK 63 a 100, ISO 26623-1 PSC 63 a 80. Na upínák lze aplikovat redukční pouzdra odpovídající frézám s velikostí násady Ø 3 mm až Ø 25 mm. MONOforce lze také dodat v podobě soupravy zahrnující řadu redukčních pouzder a upínací klíč. Nástrojové držáky MONOforce vyrábí společnost D'Andrea ve svých moderních výrobních závodech v Itálii.

TR MONOforce, Toprun ürün ailesindeki mevcut dengelenbilir FORCE torna aynalarını tamamlayan D'Andrea takım tutucularına yapılan bir eklemdir. Bu yeni torna aynası, kesme aleti için hassas ve yüksek sıkıştırma kuvvetlerine ihtiyaç duyulan takım tutma için ekonomik ve yenilikçi bir çözümdür. MONOforce, DIN 69871 ve MAS-BT standartlarına uygun ve ISO 40 ve 50 ebatları ile HSK 63 ve 100, ISO 26623-1 PSC 63 i 80 ebatlarında mevcut koniklerle sunulur. Torna aynası, Ø 3 mm ila Ø 25 mm arasındaki kesici saplarının uyumasını sağlayan redüktör burçlarını kabul eder. MONOforce, redüktör burçlarını ve sıkıştırma anahtarını da içeren bir kit olarak da tedarik edilebilir. MONOforce takım tutucular, D'Andrea'nın İtalya'daki modern imalat tesislerinde imal edilmektedir.

- HIGH PRECISION ULTRA-TIGHT TOOLHOLDER
- ВЫСОКОЖЕСТКИЕ СВЕРХТОЧНЫЕ ДЕРЖАТЕЛИ
- OPRAWKA PRECYZYJNA O DUŻEJ SIŁE ZACISKU
- VYSOCE PŘESNÝ A VELMI PEVNÝ NÁSTROJOVÝ DRŽÁK
- YÜKSEK HASSASİYETLİ ULTRA SIKI TAKIM TUTUCU

DIN 69893 HSK-A

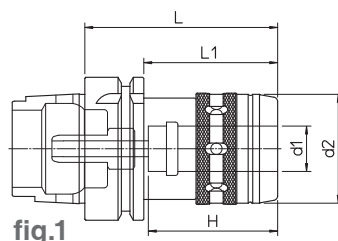


fig.1

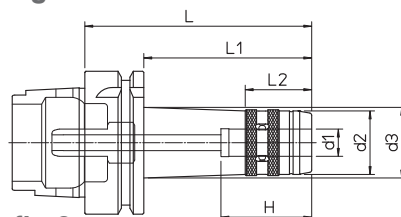


fig.2

- Supplied with coolant tube - without clamping wrench
- В комплект входит соединительная втулка для СОЖ, зажимный ключ не входит в комплект поставки
- Wyposażona w złączkę do cieczy chłodzącej - klucz zaciskowy nie jest na wyposażeniu
- Dodávaný s chladicím potrubím - bez upínacího kľúča
- Soğutma sıvısı borusuyla, sıkıştırma anahtarı olmadan tedarik edilir

HSK-A	REF.	CODE	d1	d2	d3	H	L	L1	L2	kg	fig.
63	HSK-A63 MF12.70	71HSK-A63MF1207	12	28	-	46	70	44	-	0.8	1
	HSK-A63 MF12.100	71HSK-A63MF1210			32		100	74	29.5	1.1	2
	HSK-A63 MF20.85	71HSK-A63MF2008	20	48	-	60	85	59	-	1.2	1
	HSK-A63 MF20.125	71HSK-A63MF2012					125	99		1.7	2
	HSK-A63 MF32.105	71HSK-A63MF3210	32	66		80	105	-	2	1	
	HSK-A63 MF32.140	71HSK-A63MF3214					140	-	2.6	2	
100	HSK-A100 MF32.110	71HSKA100MF3211	32	66		80	110	81	-	3.1	1
	HSK-A100 MF32.160	71HSKA100MF3216					160	131	3.6		

KIT K01 HSK-A63



K01 MONOforce 12 K01 MONOforce 20 KIT K01 MONOforce 32

1 MONOforce 12	1 MONOforce 20	1 MONOforce 32
1 RC 12.04	1 RC 20.06	1 RC 32.06
1 RC 12.06	1 RC 20.08	1 RC 32.08
1 RC 12.08	1 RC 20.10	1 RC 32.10
1 RC 12.10	1 RC 20.12	1 RC 32.12
1 CHV 28	1 RC 20.16	1 RC 32.16
	1 CHV 50	1 RC 32.20
		1 RC 32.25
		1 CHV 75

HSK-A	REF.	CODE
63	KIT K01 MONOFORCE 12.70 HSK63	7KHSK-A63MF1207
	KIT K01 MONOFORCE 20.85 HSK63	7KHSK-A63MF2008
	KIT K01 MONOFORCE 32.105 HSK63	7KHSK-A63MF3210

KIT K01 HSK-A100



K01 MONOforce 20 KIT K01 MONOforce 32

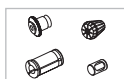
1 MONOforce 20	1 MONOforce 32
1 RC 20.06	1 RC 32.06
1 RC 20.08	1 RC 32.08
1 RC 20.10	1 RC 32.10
1 RC 20.12	1 RC 32.12
1 RC 20.16	1 RC 32.16
1 CHV 50	1 RC 32.20
	1 RC 32.25
	1 CHV 75

HSK-A	REF.	CODE
100	KIT K01 MONOFORCE 32.110 HSK100	7KHSKA100MF3211

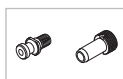
248



241



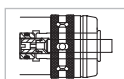
240



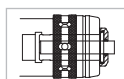
222



222



222



- HIGH PRECISION ULTRA-TIGHT TOOLHOLDER
- ВЫСОКОЖЕСТКИЕ СВЕРХТОЧНЫЕ ДЕРЖАТЕЛИ
- OPRAWKA PRECYZYJNA O DUŻEJ SIŁE ZACISKU
- VYSOCE PŘESNÝ A VELMI PEVNÝ NÁSTROJOVÝ DRŽÁK
- YÜKSEK HASSASİYETLİ ULTRA SIKI TAKIM TUTUCU

ISO 26623-1 PSC

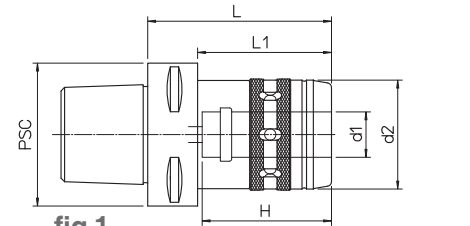


fig.1

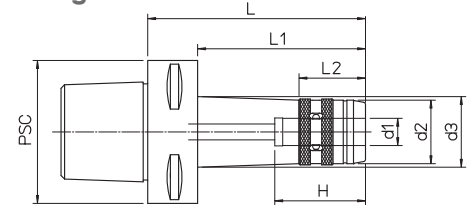


fig.2

- Without clamping wrench
- Зажимный ключ не входит в комплект поставки
- Klucz zaciskowy nie jest na wyposażeniu
- Bez upínacího kľíče
- Sıkıştırma anahtarsız

PSC	REF.	CODE	d ₁	d ₂	d ₃	H	L	L ₁	L ₂	kg	fig.		
63	PSC 63 - MF 12.70	71PSC-063MF1207	12	28	-	46	70	48	-	0.9	1		
	PSC 63 - MF 12.100	71PSC-063MF1210			31.5					1.4	2		
	PSC 63 - MF 20.80	71PSC-063MF2008	20	48	-		60	80		58	1.3	1	
	PSC 63 - MF 20.120	71PSC-063MF2012						120		98	1.9	2	
	PSC 63 - MF 32.100	71PSC-063MF3210	32	66			-	80		100	-	2.1	1
	PSC 63 - MF 32.140	71PSC-063MF3214								140	-	3.1	2
80	PSC 80 - MF 20.80	71PSC-080MF2008	20	48		-		60	80	50	3.7	1	
	PSC 80 - MF 20.125	71PSC-080MF2012							125	95	4.1	2	
	PSC 80 - MF 32.100	71PSC-080MF3210	32	66	80			100	70	4.4	1		
	PSC 80 - MF 32.160	71PSC-080MF3216						160	130	4.9	2		



K01 MONOforce 12 K01 MONOforce 20 KIT K01 MONOforce 32

1 MONOforce 12	1 MONOforce 20	1 MONOforce 32
1 RC 12.04	1 RC 20.06	1 RC 32.06
1 RC 12.06	1 RC 20.08	1 RC 32.08
1 RC 12.08	1 RC 20.10	1 RC 32.10
1 RC 12.10	1 RC 20.12	1 RC 32.12
1 CHV 28	1 RC 20.16	1 RC 32.16
	1 CHV 50	1 RC 32.20
		1 RC 32.25
		1 CHV 75

PSC	REF.	CODE
63	KIT K01 MONOFORCE 12.70 PSC 63	7KPSC-063MF1207
	KIT K01 MONOFORCE 20.80 PSC 63	7KPSC-063MF2008
	KIT K01 MONOFORCE 32.100 PSC 63	7KPSC-063MF3210

KIT K01

ISO 26623-1 PSC 63



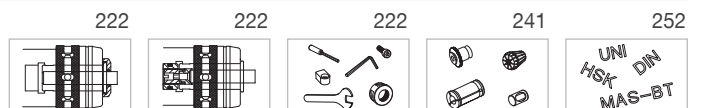
K01 MONOforce 20 KIT K01 MONOforce 32

1 MONOforce 20	1 MONOforce 32
1 RC 20.06	1 RC 32.06
1 RC 20.08	1 RC 32.08
1 RC 20.10	1 RC 32.10
1 RC 20.12	1 RC 32.12
1 RC 20.16	1 RC 32.16
1 CHV 50	1 RC 32.20
	1 RC 32.25
	1 CHV 75

PSC	REF.	CODE
80	KIT K01 MONOFORCE 20.80 PSC 80	7KPSC-080MF2008
	KIT K01 MONOFORCE 32.100 PSC 80	7KPSC-080MF3210

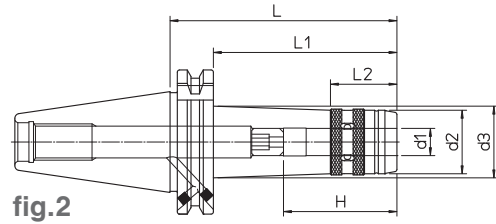
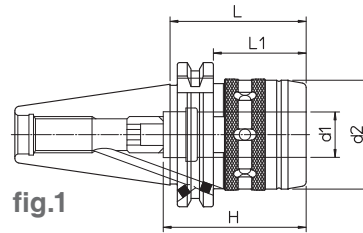
KIT K01

ISO 26623-1 PSC 80



- HIGH PRECISION ULTRA-TIGHT TOOLHOLDER
- ВЫСОКОЖЕСТКИЕ СВЕРХТОЧНЫЕ ДЕРЖАТЕЛИ
- OPRAWKA PRECYZYJNA O DUŻEJ SIŁE ZACISKU
- VYSOCE PŘESNÝ A VELMI PEVNÝ NÁSTROJOVÝ DRŽÁK
- YÜKSEK HASSASİYETLİ ULTRA SIKI TAKIM TUTUCU

DIN 69871 AD+B



- Without clamping wrench
- Зажимный ключ не входит в комплект поставки
- Klucz zaciskowy nie jest na wyposażeniu
- Bez upínacího kľúče
- Sıkıştırma anahtarsız

DIN	REF.	CODE	d1	d2	d3	H	L	L1	L2	kg	fig.	
40	DIN69871-AD+B40 MF12.50	71DIN-B40MF1205	12	28	-	46	50	31	-	0.8	1	
	DIN69871-AD+B40 MF12.100	71DIN-B40MF1210			32		100	81	29.5	1.2	2	
	DIN69871-AD+B40 MF20.60	71DIN-B40MF2006	20	48	-	63	60	41	-	1.1	1	
	DIN69871-AD+B40 MF20.100	71DIN-B40MF2010					100	81	-	1.4	2	
	DIN69871-AD+B40 MF32.95	71DIN-B40MF3209	32	66		80	95	-	-	1.6	1	
	DIN69871-AD+B40 MF32.140	71DIN-B40MF3214				140	-	-	2.0	2		
50	DIN69871-AD+B50 MF20.80	71DIN-B50MF2008	20	48		-	63	80	61	-	2.3	1
	DIN69871-AD+B50 MF20.125	71DIN-B50MF2012						125	106	-	2.7	2
	DIN69871-AD+B50 MF32.75	71DIN-B50MF3207	32	66	90		75	56	-	2.8	1	
	DIN69871-AD+B50 MF32.160	71DIN-B50MF3216					160	141	-	3.2	2	



K01 MONOforce 12 K01 MONOforce 20 KIT K01 MONOforce 32

1 MONOforce 12	1 MONOforce 20	1 MONOforce 32
1 RC 12.04	1 RC 20.06	1 RC 32.06
1 RC 12.06	1 RC 20.08	1 RC 32.08
1 RC 12.08	1 RC 20.10	1 RC 32.10
1 RC 12.10	1 RC 20.12	1 RC 32.12
1 CHV 28	1 RC 20.16	1 RC 32.16
	1 CHV 50	1 RC 32.20
		1 RC 32.25
		1 CHV 75

KIT K01 DIN-A40

DIN	REF.	CODE
40	KIT K01 MONOFORCE 12.50 DIN40AD+B	7KDIN-B40MF1205
	KIT K01 MONOFORCE 20.60 DIN40AD+B	7KDIN-B40MF2006
	KIT K01 MONOFORCE 32.95 DIN40AD+B	7KDIN-B40MF3209



K01 MONOforce 20 KIT K01 MONOforce 32

1 MONOforce 20	1 MONOforce 32
1 RC 20.06	1 RC 32.06
1 RC 20.08	1 RC 32.08
1 RC 20.10	1 RC 32.10
1 RC 20.12	1 RC 32.12
1 RC 20.16	1 RC 32.16
1 CHV 50	1 RC 32.20
	1 RC 32.25
	1 CHV 75

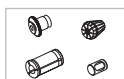
KIT K01 DIN-A50

DIN	REF.	CODE
50	KIT K01 MONOFORCE 20.80 DIN50AD+B	7KDIN-B50MF2008
	KIT K01 MONOFORCE 32.75 DIN50AD+B	7KDIN-B50MF3207

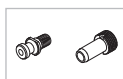
249



241



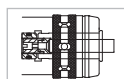
240



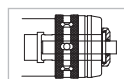
222



222



222



- HIGH PRECISION ULTRA-TIGHT TOOLHOLDER
- ВЫСОКОЖЕСТКИЕ СВЕРХТОЧНЫЕ ДЕРЖАТЕЛИ
- OPRAWKA PRECYZYJNA O DUŻEJ SILE ZACISKU
- VYSOCE PŘESNÝ A VELMI PEVNÝ NÁSTROJOVÝ DRŽÁK
- YÜKSEK HASSASİYETLİ ULTRA SIKI TAKIM TUTUCU

MAS 403 BT AD+B



- Without clamping wrench
- Зажимный ключ не входит в комплект поставки
- Klucz zaciskowy nie jest na wyposażeniu
- Bez upínacího kľíče
- Sıkıştırma anahtarsız

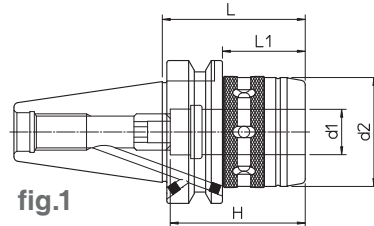


fig.1

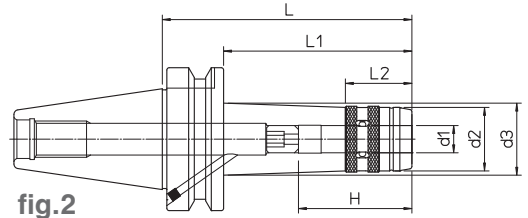


fig.2

BT	REF.	CODE	d1	d2	d3	H	L	L1	L2	kg	fig.
40	MAS403 BT40-AD+B MF12.60	71MBT-B40MF1206	12	28	-	46	60	33	-	0.9	1
	MAS403 BT40-AD+B MF12.100	71MBT-B40MF1210								1.4	2
	MAS403 BT40-AD+B MF20.63	71MBT-B40MF2006	20	48	-	63	63	36	-	1.3	1
	MAS403 BT40-AD+B MF20.100	71MBT-B40MF2010								1.9	2
	MAS403 BT40-AD+B MF32.90	71MBT-B40MF3209	32	66	-	80	90	-	-	2.1	1
	MAS403 BT40-AD+B MF32.140	71MBT-B40MF3214								3.1	2
50	MAS403 BT50-AD+B MF20.85	71MBT-B50MF2008	20	48	-	63	85	47	-	3.7	1
	MAS403 BT50-AD+B MF20.125	71MBT-B50MF2012								4.1	2
	MAS403 BT50-AD+B MF32.95	71MBT-B50MF3209	32	66	-	90	95	57	-	4.4	1
	MAS403 BT50-AD+B MF32.160	71MBT-B50MF3216								4.9	2



K01 MONOforce 12 K01 MONOforce 20 KIT K01 MONOforce 32

1 MONOforce 12	1 MONOforce 20	1 MONOforce 32
1 RC 12.04	1 RC 20.06	1 RC 32.06
1 RC 12.06	1 RC 20.08	1 RC 32.08
1 RC 12.08	1 RC 20.10	1 RC 32.10
1 RC 12.10	1 RC 20.12	1 RC 32.12
1 CHV 28	1 RC 20.16	1 RC 32.16
	1 CHV 50	1 RC 32.20
		1 RC 32.25
		1 CHV 75

KIT K01 BT 40

BT	REF.	CODE
40	KIT K01 MONOFORCE 12.60 BT40AD+B	7KMBT-B40MF1206
	KIT K01 MONOFORCE 20.63 BT40AD+B	7KMBT-B40MF2006
	KIT K01 MONOFORCE 32.90 BT40AD+B	7KMBT-B40MF3209



K01 MONOforce 20 KIT K01 MONOforce 32

1 MONOforce 20	1 MONOforce 32
1 RC 20.06	1 RC 32.06
1 RC 20.08	1 RC 32.08
1 RC 20.10	1 RC 32.10
1 RC 20.12	1 RC 32.12
1 RC 20.16	1 RC 32.16
1 CHV 50	1 RC 32.20
	1 RC 32.25
	1 CHV 75

KIT K01 BT 50

BT	REF.	CODE
50	KIT K01 MONOFORCE 20.85 BT50AD+B	7KMBT-B50MF2008
	KIT K01 MONOFORCE 32.95 BT50AD+B	7KMBT-B50MF3209



D'ANDREA

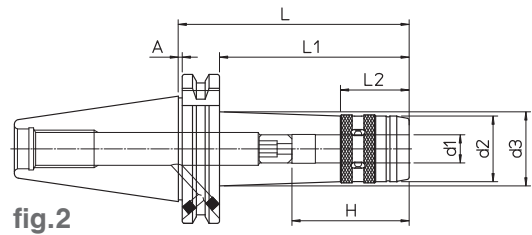
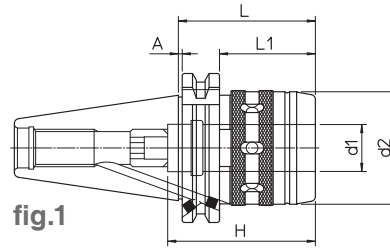
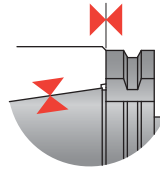
MONOforce

FACE CONTACT

- HIGH PRECISION ULTRA-TIGHT TOOLHOLDER
- ВЫСОКОЖЕСТКИЕ СВЕРХТОЧНЫЕ ДЕРЖАТЕЛИ
- OPRAWKA PRECYZYJNA O DUŻEJ SIŁE ZACISKU
- VYSOCE PŘESNÝ A VELMI PEVNÝ NÁSTROJOVÝ DRŽÁK
- YÜKSEK HASSASİYETLİ ULTRA SIKI TAKIM TUTUCU

DIN 69871 FC

FACE CONTACT AD+B



- Without clamping wrench
- Зажимный ключ не входит в комплект поставки
- Klucz zaciskowy nie jest na wyposażeniu
- Bez upínacího kľíče
- Sıkıştırma anahtarsız

DIN	REF.	CODE	d1	d2	d3	H	A	L	L1	L2	kg	fig.
40	DIN69871-AD+B40 FC MF12.50	71DIF-B40MF1205	12	28	-	46	1	50	31	-	0.8	1
	DIN69871-AD+B40 FC MF12.100	71DIF-B40MF1210									1.2	2
	DIN69871-AD+B40 FC MF20.60	71DIF-B40MF2006	20	48	-	63		60	41	1.1	1	
	DIN69871-AD+B40 FC MF20.100	71DIF-B40MF2010						100	81	1.4	2	
	DIN69871-AD+B40 FC MF32.95	71DIF-B40MF3209	32	66	-	80		95	-	1.6	1	
	DIN69871-AD+B40 FC MF32.140	71DIF-B40MF3214						140	-	2.0	2	
50	DIN69871-AD+B50 FC MF20.80	71DIF-B50MF2008	20	48	-	63	1.5	80	61	-	2.3	1
	DIN69871-AD+B50 FC MF20.125	71DIF-B50MF2012						125	106	2.7	2	
	DIN69871-AD+B50 FC MF32.75	71DIF-B50MF3207	32	66	-	90		75	56	2.8	1	
	DIN69871-AD+B50 FC MF32.160	71DIF-B50MF3216						160	141	3.2	2	



K01 MONOforce 12 FC K01 MONOforce 20 FC K01 MONOforce 32 FC

1 MONOforce 12	1 MONOforce 20	1 MONOforce 32
1 RC 12.04	1 RC 20.06	1 RC 32.06
1 RC 12.06	1 RC 20.08	1 RC 32.08
1 RC 12.08	1 RC 20.10	1 RC 32.10
1 RC 12.10	1 RC 20.12	1 RC 32.12
1 CHV 28	1 RC 20.16	1 RC 32.16
	1 CHV 50	1 RC 32.20
		1 RC 32.25
		1 CHV 75

KIT K01

DIN-A40

DIN	REF.	CODE
40	KIT K01 MONOFORCE 12.50 DIN40AD+B FC	7KDIF-B40MF1205
	KIT K01 MONOFORCE 20.60 DIN40AD+B FC	7KDIF-B40MF2006
	KIT K01 MONOFORCE 32.95 DIN40AD+B FC	7KDIF-B40MF3209



K01 MONOforce 20 FC K01 MONOforce 32 FC

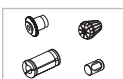
1 MONOforce 20	1 MONOforce 32
1 RC 20.06	1 RC 32.06
1 RC 20.08	1 RC 32.08
1 RC 20.10	1 RC 32.10
1 RC 20.12	1 RC 32.12
1 RC 20.16	1 RC 32.16
1 CHV 50	1 RC 32.20
	1 RC 32.25
	1 CHV 75

KIT K01

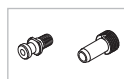
DIN-A50

DIN	REF.	CODE
50	KIT K01 MONOFORCE 20.80 DIN50AD+B FC	7KDIF-B50MF2008
	KIT K01 MONOFORCE 32.75 DIN50AD+B FC	7KDIF-B50MF3207

241



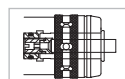
240



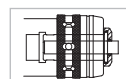
222



222

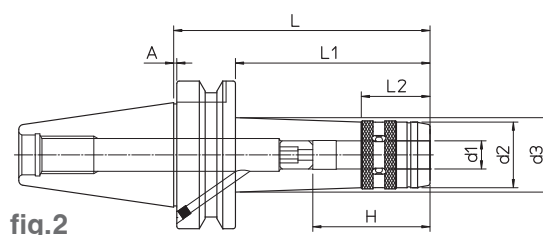
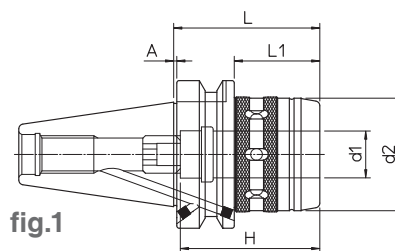
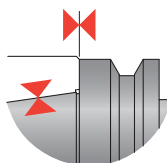


222



- HIGH PRECISION ULTRA-TIGHT TOOLHOLDER
- ВЫСОКОЖЕСТКИЕ СВЕРХТОЧНЫЕ ДЕРЖАТЕЛИ
- OPRAWKA PRECYZYJNA O DUŻEJ SIŁE ZACISKU
- VYSOCE PŘESNÝ A VELMI PEVNÝ NÁSTROJOVÝ DRŽÁK
- YÜKSEK HASSASİYETLİ ULTRA SIKI TAKIM TUTUCU

MAS 403 BT FC FACE CONTACT AD+B



- Without clamping wrench
- Зажимный ключ не входит в комплект поставки
- Klucz zaciskowy nie jest na wyposażeniu
- Bez upínacího kľíče
- Sıkıştırma anahtarsız

BT	REF.	CODE	d1	d2	d3	H	A	L	L1	L2	kg	fig.	
40	MAS403 BT40 FC AD+B MF12.60	71MBF-B40MF1206	12	28	-	46	1	60	33	-	0.9	1	
	MAS403 BT40 FC AD+B MF12.100	71MBF-B40MF1210			32					29.5			1.4
	MAS403 BT40 FC AD+B MF20.63	71MBF-B40MF2006	20	48	-	63			36	1.3	1		
	MAS403 BT40 FC AD+B MF20.100	71MBF-B40MF2010							73			1.9	2
	MAS403 BT40 FC AD+B MF32.90	71MBF-B40MF3209	32	66		80			90	2.1	1		
	MAS403 BT40 FC AD+B MF32.140	71MBF-B40MF3214							140			3.1	2
50	MAS403 BT50 FC AD+B MF20.85	71MBF-B50MF2008	20	48		-	63	1.5	85	47	-	3.7	1
	MAS403 BT50 FC AD+B MF20.125	71MBF-B50MF2012											
	MAS403 BT50 FC AD+B MF32.95	71MBF-B50MF3209	32	66	90		95		4.4	1			
	MAS403 BT50 FC AD+B MF32.160	71MBF-B50MF3216					160					122	4.9



K01 MONOforce 12 FC	K01 MONOforce 20 FC	K01 MONOforce 32 FC
1 MONOforce 12	1 MONOforce 20	1 MONOforce 32
1 RC 12.04	1 RC 20.06	1 RC 32.06
1 RC 12.06	1 RC 20.08	1 RC 32.08
1 RC 12.08	1 RC 20.10	1 RC 32.10
1 RC 12.10	1 RC 20.12	1 RC 32.12
1 CHV 28	1 RC 20.16	1 RC 32.16
	1 CHV 50	1 RC 32.20
		1 RC 32.25
		1 CHV 75

KIT K01 BT 40

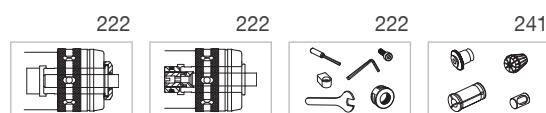
BT	REF.	CODE
40	KIT K01 MONOFORCE 12.60 BT40AD+B FC	7KMBF-B40MF1206
	KIT K01 MONOFORCE 20.63 BT40AD+B FC	7KMBF-B40MF2006
	KIT K01 MONOFORCE 32.90 BT40AD+B FC	7KMBF-B40MF3209




K01 MONOforce 20 FC	K01 MONOforce 32 FC
1 MONOforce 20	1 MONOforce 32
1 RC 20.06	1 RC 32.06
1 RC 20.08	1 RC 32.08
1 RC 20.10	1 RC 32.10
1 RC 20.12	1 RC 32.12
1 RC 20.16	1 RC 32.16
1 CHV 50	1 RC 32.20
	1 RC 32.25
	1 CHV 75

KIT K01 BT 50

BT	REF.	CODE
50	KIT K01 MONOFORCE 20.85 BT50AD+B FC	7KMBF-B50MF2008
	KT K01 MONOFORCE 32.95 BT50AD+B FC	7KMBF-B50MF3209



High speed, balancing and precision

 0.003



p. 240



p. 186

DIN 69893 HSK-A
ER
FORCE

DIN 69893 HSK-E
ER
FORCE

p. 240



p. 188

DIN 69871-A
ER
FORCE

p. 240



p. 190

MAS 403 BT
ER
FORCE



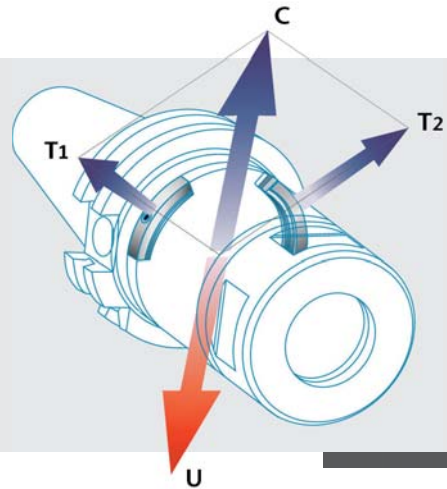
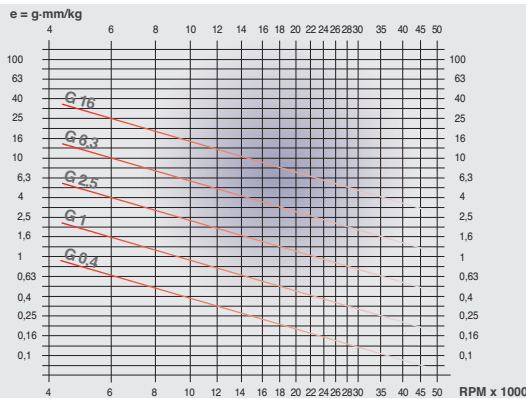
p. 187
p. 189
p. 191

KIT FORCE
HSK
DIN
BT



- **BALANCEABLE TOOLHOLDERS - BALANCING AND PRECISION**
- **ВЫСОКОСКОРОСТНЫЕ БАЛАНСИРУЕМЫЕ ДЕРЖАТЕЛИ**
- **OPRAWKI NARZĘDZIOWE Z MOŻLIWOŚCIĄ WYRÓWNOWAŻANIA, PRZEZNACZONE DO PRAC Z WYSOKIMI PRĘDKOŚCIAMI**
- **VYVAŽOVATELNÉ NÁSTROJOVÉ DRŽÁKY - VYVAŽOVÁNÍ A PŘESNOST**
- **DENGELENEBİLİR TAKIM TUTUCULAR - DENGELEME VE HASSASİYET**

ⓑ The use of **TOPRUN** balanceable toolholders provides the following advantages: considerable extension of spindle bearings life; considerable extension of tool life; improved accuracy and surface finish; drastic reduction of vibrations and noise level of the machining centre. For high speed machining with Toprun toolholders, the two counterweights in the graduated groove (patented) have to be positioned following the indications provided by the electronic balancing unit; a quick and easy balancing of the toolholder complete with tension rod and tool according to the ISO 1940/1 standards. For machining up to 8,000 rpm it is sufficient to position the counterweights at 0° and at 180°. **BALANCING.** The balancing operation has the aim to bring the original unbalance “U” within the maximum admissible level “G”. The manufacturers of high speed milling machines usually prescribe a balancing level “G 1” or “G 2.5” for the toolholders to be used on their machines according to the ISO 1940/1 standard. Specifically, the original unbalance “U” of the tool and toolholder is neutralized by the resulting centrifugal force “C” produced by the two balancing masses “T1” and “T2”.



ⓑ Использование балансируемых держателей TOPRUN обеспечивает следующие преимущества: продление срока службы шпинделя обрабатывающего центра; продление срока службы инструмента; повышение точности и качества обрабатываемой поверхности; снижение вибрации и уровня шума обрабатывающего центра. Для использования держателей TOPRUN при высокоскоростной обработке, два противовеса, расположенные в градуированном пазу (запатентованный принцип) должны быть установлены согласно показаниям электронного балансирующего устройства в соответствии со стандартом ISO 1940/1. Для работы на скоростях до 8000 об/мин. достаточно установить противовесы в позиции 0° и 180°. **БАЛАНСИРОВКА;** Цель балансировки - привести изначальный дисбаланс “U”, уже существующий в держателе, в рамки максимально допустимого значения “G”. Для высокоскоростных фрезерных станков стандарта ISO 1940/1 уровень балансировки для держателей, который обычно предписывает производитель, равен степени G1 или G 2,5. В частности, балансировка проходит следующим образом: начальный дисбаланс инструмента и держателя “U” нейтрализуется результирующей центробежной силой “C”, создаваемой двумя балансирующими массами “T1” и “T2”, расположение которых показывается балансирующим устройством.

ⓑ Korzyści z zastosowania oprawek wyrównoważalnych **TOPRUN:** wydłużenie żywotności wrzeciona obrabiarki; wydłużenie żywotności narzędzia; poprawa dokładności i jakości wykonania powierzchni; redukcja vibracji i hałasu powodowanego przez centrum obróbcze. Przy używaniu oprawek narzędziowych Toprun na urządzeniach wysokoobrotowych, należy umieścić dwie płytki znajdujące się w okrężnym, wyskalowanym rowku (rozwiązanie opatentowane) w odpowiednich położeniach, według wskazówek podanych na elektronicznym urządzeniu przeznaczonym do wyrównoważania dynamicznego, zgodnie z wymogami normy ISO 1940/1. Przy obróbkach do 8.000 obr./min. wystarczy ustawić płytki w położeniach kątowych 0° i 180°. **WYRÓWNOWAŻENIE.** Czynność wyrównoważania polega na redukcji niewyrównoważenia „U” powstałej w każdej oprawce, do maksymalnej, akceptowanej wartości, określonej jako stopień wyrównoważenia „G”. Zazwyczaj producenci obrabiarek z wrzecionami umożliwiającymi pracę z wysokimi obrotami wymagają wykorzystywania oprawek wyrównoważonych w klasie „G1” lub „G2,5” według normy ISO 1940/1. Wyrównoważenie przebiega w ten sposób, że niewyrównoważenie „U”, powstałe w oprawce i narzędziu, zostaje skompensowane za pomocą wynikowej siły „C”, która jest wypadkową sił odśrodkowych powstałych od płytek „T1” i „T2”. Pozycję płytek wskazuje urządzenie wyrównoważające.

ⓑ Použití vyvažovatelných nástrojových držáků **TOPRUN** dává následující výhody: značné prodloužení životnosti ložisek vřetena, značné prodloužení životnosti nástroje, vylepšená přesnost a úprava povrchu, prudké snížení hladiny vibrací a hluku obráběcího centra. Při vysokorychlostním obrábění pomocí nástrojových držáků Toprun je nutno umístit dvě protizávaží do kalibrované drážky (patentované) podle informací poskytovaných elektronickou vyvažující jednotkou; rychlé a snadné vyvažování nástrojového držáku s napínací tyčí a nástrojem v souladu s normami ISO 1940/1. Při obrábění do 8 000 ot/min postačuje umístit protizávaží v pozicích 0° a 180°. **VYVAŽOVÁNÍ.** Cílem operace vyvažování je dostat původní nerovnováhu “U” do rámce maximálně přípustné hladiny “G”. Výrobci vysokorychlostních frézovacích strojů obvykle předepisují vyvažovací hladinu “G 1” nebo “G 2.5” pro nástrojové držáky, které se používají na jejich strojích podle normy ISO 1940/1. Konkrétně je původní nerovnováha “U” nástroje a nástrojového držáku neutralizována výslednou odstředivou silou “C” vytvořenou dvěma hmotnostmi “T1” a “T2”.

ⓑ **TOPRUN** dengelenebilir takim tutucuların kullanılması şu avantajları sunar: gelişmiş doğruluk, hassasiyet ve yüzey bitirme; takımın hizmet ömrünün ciddi biçimde uzatılması, mil yataklarının hizmet ömrünün önemli ölçüde uzatılması; işleme merkezindeki titreşim ve gürültü seviyelerinde ciddi biçimde azalma. Toprun takim tutucularla yüksek hızlarda işleme için, kademeli yivdeki (patentlidir) iki karşı ağırlığın elektronik dengeleme ünitesi tarafından belirlenen göstergeler izlenerek konumlandırılması gerekir; bu, takım tutucunun gergi kolu ve takımla birlikte hızlı, kolay ve ISO 1940/1 standardına uygun bir şekilde dengelenmesini sağlar. 8.000 dev/dak'a varan hızlardaki işlemlerde, karşı ağırlıkların 0° ve 180° de konumlandırılması yeterlidir. **DENGELEME.** Dengelenenin amacı, orijinal dengesiz “U” konumunu maksimum izin verilen seviye olan “G” aralığı içine getirmektir. Yüksek hızda işleme makinesi üreticileri, takım tutucuların makinelerinde ISO 1940/1 standardına uygun bir şekilde kullanılabilmesi için genellikle G 1” veya “G 2.5” dengeleme seviyesini önerirler. Özellikle, takımın ve takım tutucunun orijinal dengesiz “U” konumu, “T1” ve “T2” dengeleme kütlelerince üretilen santrifüj kuvveti “C” sonucu nötr hale getirilir.

DIN 69893 HSK-A

ER - DIN 6499

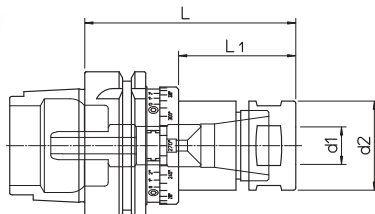


fig.1

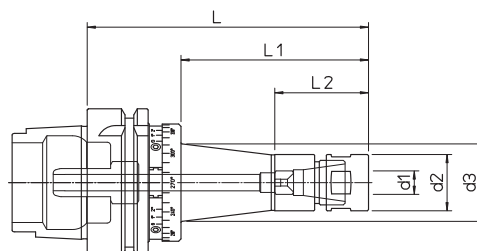


fig.2

- Supplied with coolant tube - without collets and clamping wrenches. The ring-nuts of the Toprun spindles allow the use of the ER collets with a working range of 0,5 mm.
- В комплект входит соединительная втулка для СОЖ. Эластичная цанга и зажимный ключ не входят в комплект поставки. Зажимные кольца шпинделей Toprun позволяют использовать цанги типа ER с рабочим диапазоном 0,5 мм.
- Wyposażona w złączkę do cieczy chłodzącej - tulejka ER oraz klucze zaciskowe nie są na wyposażeniu. Nasadki wrzecion Toprun umożliwiają zastosowanie tulei zaciskowych ER z zakresem roboczym wynoszącym 0,5 mm.
- Dodává se s potrubím chladiwa - bez pouzder a upínacích klíčů. Kroužkové matice vřeten Toprun umožňují použití pouzder ER s pracovním rozsahem 0,5 mm.
- Soğutma sıvısı borusuyla, çakı tutacağı ve sıkıştırma anahtarları olmadan tedarik edilir. Toprun millerinin halka somunları, ER çakı tutacaklarının 0,5 mm çalışma aralığıyla kullanılabilmesini sağlar.

HSK-A	REF.	CODE	TYPE	d1	d2	d3	L	L1	L2	kg	fig.
63	HSK-A63 ER16.80	410101656320	ER 16	0.5 ~ 10	24	-	80	40	-	0.9	1
	HSK-A63 ER16.120	410121656320				34	120	80	40	1.1	2
	HSK-A63 ER25.80	410082556320	ER 25	1 ~ 16	38	-	80	40	-	1.2	1
	HSK-A63 ER25.140	410122556320				45	140	100	50	1.6	2
	HSK-A63 ER32.90	410083256320	ER 32	2 ~ 20	50	-	90	-	-	1.5	1

DIN 69893 HSK-E

ER - DIN 6499

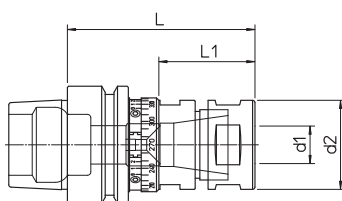


fig.1

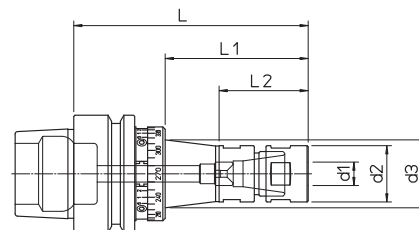


fig.2

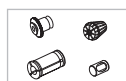
- Supplied without collets and clamping wrenches. The ring-nuts of the Toprun spindles allow the use of the ER collets with a working range of 0,5 mm.
- Эластичная цанга и зажимный ключ не входят в комплект поставки. Зажимные кольца шпинделей Toprun позволяют использовать цанги типа ER с рабочим диапазоном 0,5 мм.
- Tuleja zaciskowa elastyczna oraz klucze zaciskowe nie są na wyposażeniu. Nasadki wrzecion Toprun umożliwiają zastosowanie tulei zaciskowych ER z zakresem roboczym wynoszącym 0,5 mm.
- Dodává se bez pouzder a upínacích klíčů. Kroužkové matice vřeten Toprun umožňují použití pouzder ER s pracovním rozsahem 0,5 mm
- Freze çakıları ve sıkıştırma anahtarları olmadan teslim edilir. Toprun millerinin halka somunları, ER çakı tutacaklarının 0,5 mm çalışma aralığıyla kullanılabilmesini sağlar.

HSK-E	REF.	CODE	TYPE	d1	d2	d3	L	L1	L2	kg	fig.
40	HSK-E40 ER16.60	410101654025	ER 16	0.5 ~ 10	24	-	60	28.5	-	0.3	1
	HSK-E40 ER16.100	410121654025				28	100	68.5	36	0.4	2
	HSK-E40 ER25.70	410102554025	ER 25	1 ~ 16	38	-	70	-	-	0.7	1
50	HSK-E50 ER16.70	410081655025	ER 16	0.5 ~ 10	24	-	-	31	-	0.6	1
	HSK-E50 ER16.100	410121655025				29	100	61	38	0.8	2
	HSK-E50 ER25.70	410082555025	ER 25	1 ~ 16	38	-	70	31	-	1	1

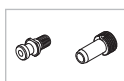
248



242-244



240

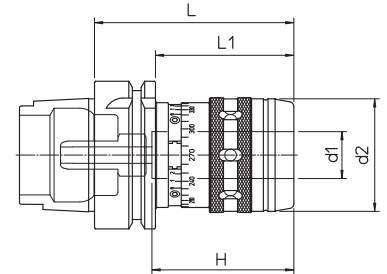


223



- HIGH PRECISION ULTRA-TIGHT BALANCEABLE TOOLHOLDER
- ВЫСОКОТОЧНЫЕ СВЕРХЖЕСТКИЕ БАЛАНСИРУЕМЫЕ ДЕРЖАТЕЛИ.
- OPRAWKA NARZĘDZIOWA PRECYZYJNA Z MOCNYM ZAMKNIĘCIEM I MOŻLIWOŚCIĄ WYRÓWNOWAŻANIA
- VYSOCE PŘESNÝ A VELMI PEVNÝ VYVAŽOVATELNÝ NÁSTROJOVÝ DRŽÁK
- YÜKSEK HASSASİYETLİ ULTRA SIKI DENGELENEİLİR TAKIM TUTUCU

DIN 69893 HSK-A FORCE



- Supplied with coolant tube - without clamping wrench
- В комплект входит соединительная втулка для СОЖ, зажимный ключ не входит в комплект поставки
- Wyposażona w złączkę do cieczy chłodzącej – Klucze zaciskowe nie są na wyposażeniu
- Dodávaný s chladicím potrubím - bez upínacího kľíče
- Soğutma sıvısı borusuyla, sıkıştırma anahtarını olmadan tedarik edilir

HSK-A	REF.	CODE	d ₁	d ₂	H	L	L ₁	kg
63	HSK-A63 FORCE20.85	410002056320	20	48	60	85	59	1.2
	HSK-A63 FORCE32.110	410003256320	32	66	80	110	–	2

KIT FORCE

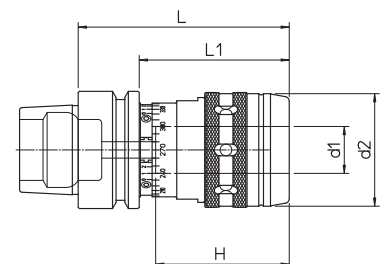


K01 FORCE 20 K01 FORCE 32

1 FORCE 20	1 FORCE 32
1 RC 20.06	1 RC 32.06
1 RC 20.08	1 RC 32.08
1 RC 20.10	1 RC 32.10
1 RC 20.12	1 RC 32.12
1 RC 20.16	1 RC 32.16
1 CHV 50	1 RC 32.20
	1 RC 32.25
	1 CHV 75

HSK-A	REF.	CODE
63	KIT K01 FORCE 20 HSK63	610002056320
	KIT K01 FORCE 32 HSK63	610003256320

DIN 69893 HSK-E FORCE



- Without clamping wrench
- Зажимный ключ не входит в комплект поставки
- Klucz zaciskowy nie jest na wyposażeniu
- Bez upínacího kľíče
- Sıkıştırma anahtarsız

HSK-E	REF.	CODE	d ₁	d ₂	H	L	L ₁	kg
50	HSK-E50 FORCE20.90	410002055025	20	48	60	90	64	1.2



DIN 69871 A
ER - DIN 6499

188

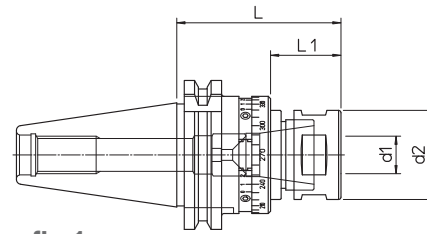


fig.1

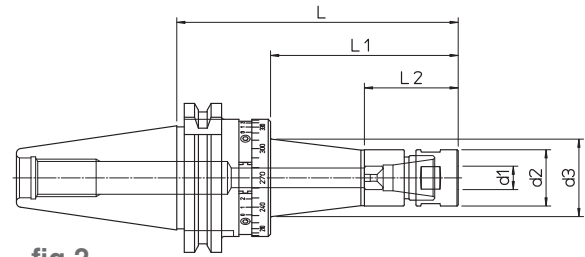


fig.2

- Supplied without collets and clamping wrenches.

The ring-nuts of the Toprun spindles allow the use of the ER collets with a working range of 0,5 mm.

- Эластичная цанга и зажимный ключ не входят в комплект поставки.

Зажимные кольца шпинделей Toprun позволяют использовать цанги типа ER с рабочим диапазоном 0,5 мм.

- Tuleja zaciskowa elastyczna oraz klucze zaciskowe nie są na wyposażeniu.

Nasadki wrzecion Toprun umożliwiają zastosowanie tulei zaciskowych ER z zakresem roboczym wynoszącym 0,5 mm.

- Dodává se bez pouzder a upínacích kľíčů.

Kroužkové matice vřeten Toprun umožňují použití pouzder ER s pracovním rozsahem 0,5 mm.

- Freze çakıları ve sıkıştırma anahtarları olmadan teslim edilir.

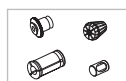
Toprun millerinin halka somunları, ER çakı tutacaklarının 0,5 mm çalışma aralığıyla kullanılabilmesini sağlar.

DIN	REF.	CODE	TYPE	d ₁	d ₂	d ₃	L	L ₁	L ₂	kg	fig.
40	DIN69871-A40 ER16.70	410081614020	ER 16	0.5 ~ 10	24	-	70	30	-	1.1	1
	DIN69871-A40 ER16.120	410121614020				34	120	80	40	1.3	2
	DIN69871-A40 ER25.70	410082514020	ER 25	1 ~ 16	38	-	70	30	-	1.4	1
	DIN69871-A40 ER25.140	410122514020				45	140	100	50	1.8	2
	DIN69871-A40 ER32.75	410083214020	ER 32	2 ~ 20	50	-	75	-	-	1.7	1

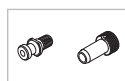
249



242-244



240

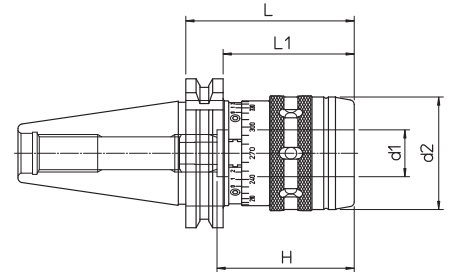


223



- HIGH PRECISION ULTRA-TIGHT BALANCEABLE TOOLHOLDER
- ВЫСОКОТОЧНЫЕ СВЕРХЖЕСТКИЕ БАЛАНСИРУЕМЫЕ ДЕРЖАТЕЛИ.
- OPRAWKA NARZĘDZIOWA PRECYZYJNA Z MOCNYM ZAMKNIĘCIEM I MOŻLIWOŚCIĄ WYRÓWNOWAŻANIA
- VYSOCE PŘESNÝ A VELMI PEVNÝ VYVAŽOVATELNÝ NÁSTROJOVÝ DRŽÁK
- YÜKSEK HASSASİYETLİ ULTRA SIKI DENGELENEBİLİR TAKIM TUTUCU

DIN 69871 A
FORCE



189

- Without clamping wrench
- Зажимный ключ не входит в комплект поставки
- Klucz zaciskowy nie jest na wyposażeniu
- Bez upínacího kľíče
- Sıkıştırma anahtarsız

DIN	REF.	CODE	d1	d2	H	L	L1	kg
40	DIN69871-A40 FORCE20.75	410002014020	20	48	60	75	55.9	1.3
	DIN69871-A40 FORCE32.105	410003214020	32	66	80	105	-	2.1

KIT FORCE



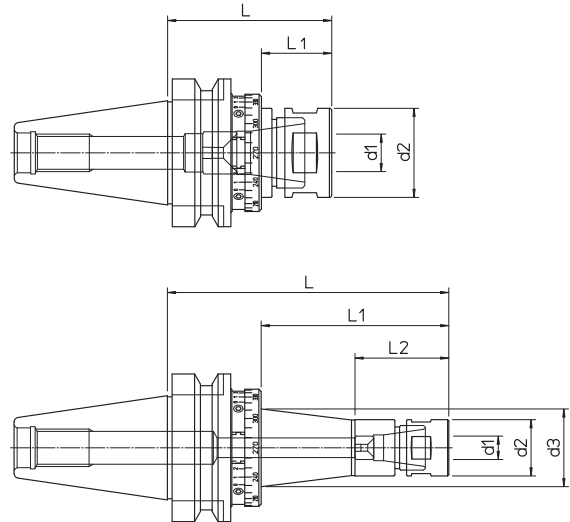
K01 FORCE 20 **K01 FORCE 32**

1 FORCE 20	1 FORCE 32
1 RC 20.06	1 RC 32.06
1 RC 20.08	1 RC 32.08
1 RC 20.10	1 RC 32.10
1 RC 20.12	1 RC 32.12
1 RC 20.16	1 RC 32.16
1 CHV 50	1 RC 32.20
	1 RC 32.25
	1 CHV 75

DIN	REF.	CODE
40	KIT K01 FORCE20 DIN40	610002014020
	KIT K01 FORCE32 DIN40	610003214020



MAS 403 BT ER-DIN 6499



- Supplied without collets and clamping wrenches.

The ring-nuts of the Toprun spindles allow the use of the ER collets with a working range of 0,5 mm.

- Эластичная цанга и зажимный ключ не входят в комплект поставки.

Зажимные кольца шпинделей Toprun позволяют использовать цанги типа ER с рабочим диапазоном 0,5 мм.

- Tuleja zaciskowa elastyczna oraz klucze zaciskowe nie są na wyposażeniu.

Nasadki wrzecion Toprun umożliwiają zastosowanie tulei zaciskowych ER z zakresem roboczym wynoszącym 0,5 mm.

- Dodává se bez pouzder a upínacích klíčů.

Kroužkové matice vřeten Toprun umožňují použití pouzder ER s pracovním rozsahem 0,5 mm.

- Freze çakıları ve sıkıştırma anahtarları olmadan teslim edilir.

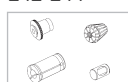
Toprun millerinin halka somunları, ER çakı tutacaklarının 0,5 mm çalışma aralığıyla kullanılabilmesini sağlar.

BT	REF.	CODE	TYPE	d ₁	d ₂	d ₃	L	L ₁	L ₂	kg	fig.
30	MAS403 BT30 ER16.60	410101613030	ER 16	0.5 ~ 10	24	-	60	25	-	0.8	1
	MAS403 BT30 ER16.90	410121613030				29	90	55	32	0.9	2
	MAS403 BT30 ER25.60	410102513030	ER 25	1 ~ 16	38	-	60	25.5	-	1.1	1
40	MAS403 BT40 ER16.70	410081614030	ER 16	0.5 ~ 10	24	-	70	30	-	1	
	MAS403 BT40 ER16.120	410121614030				34	120	80	40	1.3	2
	MAS403 BT40 ER25.70	410082514030	ER 25	1 ~ 16	38	-	70	30	-	1.4	1
	MAS403 BT40 ER25.140	410122514030				45	140	100	50	1.8	2
	MAS403 BT40 ER32.75	410083214030	ER 32	2 ~ 20	50	-	75	32	-	1.7	1

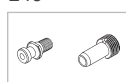
249



242-244



240

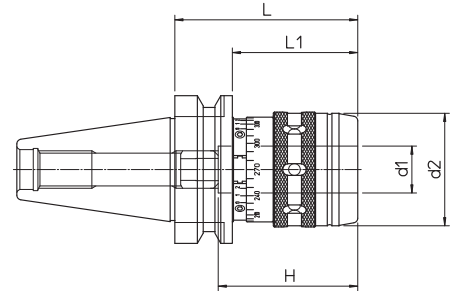


223



- HIGH PRECISION ULTRA-TIGHT BALANCEABLE TOOLHOLDER
- ВЫСОКОТОЧНЫЕ СВЕРХЖЕСТКИЕ БАЛАНСИРУЕМЫЕ ДЕРЖАТЕЛИ.
- OPRAWKA NARZĘDZIOWA PRECYZYJNA Z MOCNYM ZAMKNIĘCIEM I MOŻLIWOŚCIĄ WYRÓWNOWAŻANIA
- VYSOCE PŘESNÝ A VELMI PEVNÝ VYVAŽOVATELNÝ NÁSTROJOVÝ DRŽÁK
- YÜKSEK HASSASİYETLİ ULTRA SIKI DENGELENEİLİR TAKIM TUTUCU

MAS 403 BT FORCE



191

- Without clamping wrench
- Зажимный ключ не входит в комплект поставки
- Klucz zaciskowy nie jest na wyposażeniu
- Bez upínacího kľíče
- Sıkıştırma anahtarsız

BT	REF.	CODE	d1	d2	H	L	L1	kg
40	MAS403 BT40 FORCE20.80	410002014030	20	48	60	80	53.5	1.4
	MAS403 BT40 FORCE32.90	410003214030	32	66	80	90	65	1.9

KIT FORCE



K01 FORCE 20 K01 FORCE 32

1 FORCE 20	1 FORCE 32
1 RC 20.06	1 RC 32.06
1 RC 20.08	1 RC 32.08
1 RC 20.10	1 RC 32.10
1 RC 20.12	1 RC 32.12
1 RC 20.16	1 RC 32.16
1 CHV 50	1 RC 32.20
	1 RC 32.25
	1 CHV 75

BT	REF.	CODE
40	KIT K01 FORCE20 BT40	610002014030
	KIT K01 FORCE32 BT40	610003214030



p. 240



p. 194

DIN 69893 HSK-A

ER
WD
PF
CM
MS

p. 240



p. 198

DIN 69871 AD+B

ER
WD
PF
CM
MS

p. 240

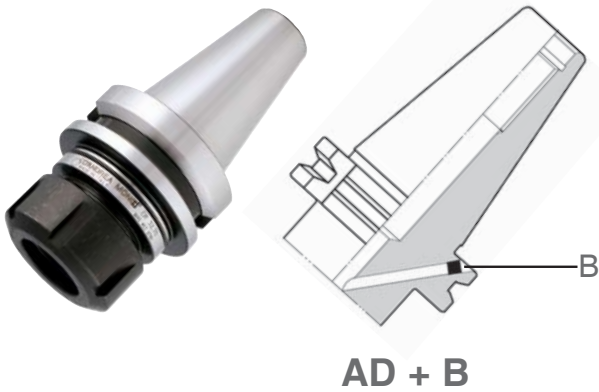


p. 204

MAS 403 BT AD+B

ER
WD
PF
CM
MS





*Quality, precision,
strength and convenience*

- INTEGRATED TOOLHOLDERS
- ИНТЕГРАЛЬНЫЕ ДЕРЖАТЕЛИ
- ZINTEGROWANE OPRAWKI NARZĘDZIOWE
- INTEGROVANÉ NÁSTROJOVÉ DRŽÁKY
- ENTEGRE TAKIM TUTUCULAR

GB The integrated MONOd' tool holders represent an ideal solution to equip any type of machine tool with HSK 63 and 100, DIN AD+B and BT AD+B base arbors, guaranteeing the benefits of a high quality and high precision, with a price that is highly competitive on the market. The MONOd' program includes ER collet chucks, Weldon end mill holders, Morse tapers, and tapping chucks. **All toolholders are designed to be balanced at G 6.3 8.000 RPM. MONOd' ER G 6.3 at 15.000 RPM.**

RU Интегральные Держатели MONOd' представляют собой идеальное решение для оснащения любого станка с переходными втулками HSK 63 и 100, DIN AD+B и BT AD+B, обеспечивая преимущества высокого качества и значительный уровень точности исполнения в сочетании с конкурентоспособными ценами. Программа MONOd' включает в себя цанговые патроны ER, Weldon, оправки для насадных фрез, переходники Морзе и метчики. **Все резцедержатели имеют высокий класс балансировки, G 6.3 при 8000 об/мин. MONOd' ER - G 6.3 при 15000 об/мин.**

PL Linia zintegrowanych oprawek narzędziowych MONOd' jest idealną propozycją wyposażenia obrabiarek z oprawką podstawową HSK 63 i 100, DIN AD+B oraz BT AD+B, zapewniając użytkownikowi wysoką jakość i duży stopień dokładności, przy zachowaniu konkurencyjnej ceny. Program MONOd' zawiera tulejki ER, Weldon, oprawki frezarskie, tuleje redukcyjne Morse'a oraz gwintowniki. **Wszystkie imaki nożowe są o wysokiej klasie wyważenia, G 6.3 przy 8000 obr./min. MONOd' ER - G 6.3 przy 15000 obr./min.**

CZ Integrované nástrojové držáky MONOd' představují ideální řešení pro vybavení jakéhokoliv typu obráběcího stroje základními vřeteny HSK 63 a 100, DIN AD+B a BT AD+B, které zaručuje výhody vysoké kvality a vysoké přesnosti a s cenou, která je na trhu vysoce konkurenceschopná. Program MONOd' zahrnuje pouzdrové upínáky ER, koncové frézovací držáky Weldon, kužely Morse a závitorezné upínáky. **Všechny držáky nástrojů mají vysoce vyvažovací třídu, G 6,3 při 8000 ot/min. MONOd' ER - G 6,3 při 15000 ot/min.**

TR Entegre MONOd' takım tutucular, HSK 63 ve 100, DIN AD+B ve BT AD+B temel malafalı her çeşit işleme takımının kullanılabilmesi için ideal bir çözüm sunarak yüksek kalite ve hassasiyetin tüm avantajlarını piyasadaki en avantajlı fiyatlarla ayağınıza getirir. MONOd' programı ER freze çakısı tutacaklı aynaları, Weldon uç mili tutucuları, Mors konikleri ve dış açma torna aynalarını içerir. **Tüm takım tutucuları, G 6.3 8.000 dev / dak'da dengelenmek üzere tasarlanmıştır. 15.000 devirde MONOd' ER G 6.3.**

DIN 69893 HSK-A ER - DIN 6499

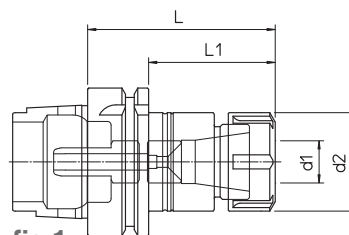


fig.1

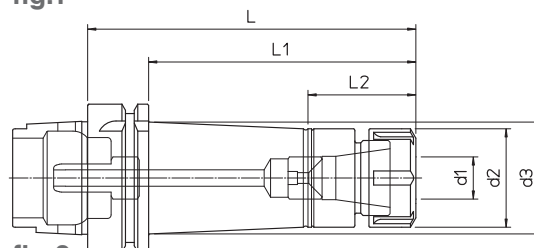


fig.2

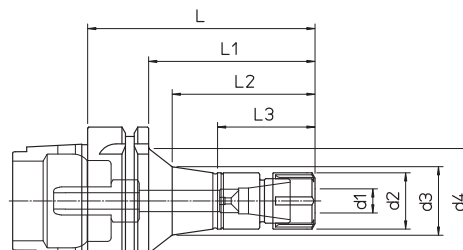
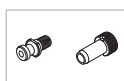
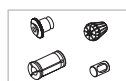


fig.3

- Supplied with coolant tube - without collets and clamping wrenches
- Эластичная цанга и зажимный ключ не входят в комплект поставки
- Wyposażona w złączkę do cieczy chłodzącej - Tuleja elastyczna i klucze zaciskowe nie są na wyposażeniu
- Dodáva se s potrubím chladiava - bez pouzder a upínacích kľúčů
- Soğutma sıvısı borusuyla, çakı tutacağı ve sıkıştırma anahtarları olmadan tedarik edilir

HSK-A	REF.	CODE	TYPE	d1	d2	d3	d4	L	L1	L2	L3	kg	fig.
63	HSK-A63 ER16.80	71HSKA063ER1608	ER 16 M	0.5 ~ 10	22	32		80	54	41		1.1	1
	HSK-A63 ER16.120	71HSKA063ER1612				31		120	94			1.9	2
	HSK-A63 ER25.80	71HSKA063ER2508	ER 25	1 ~ 16	42	-		80	54	-		1.3	1
	HSK-A63 ER25.140	71HSKA063ER2514				47.5		140	114	46		1.7	2
	HSK-A63 ER32.90	71HSKA063ER3209	ER 32	2 ~ 20	50	-		90	64	-		1.6	1
	HSK-A63 ER32.160	71HSKA063ER3216				160		134	-	2.2		2	
100	HSK-A100 ER16.100	71HSKA100ER1610	ER 16 M	0.5 ~ 10	22	25	45	100	71	61	41.5	2.3	3
	HSK-A100 ER16.160	71HSKA100ER1616				34.5		160	131	126		2.5	
	HSK-A100 ER25.100	71HSKA100ER2510	ER 25	1 ~ 16	42	45.5		100	71	47		2.6	
	HSK-A100 ER25.160	71HSKA100ER2516				49.5		160	131			3.2	
	HSK-A100 ER32.120	71HSKA100ER3212	ER 32	2 ~ 20	50	55		120	91	52		3.1	2
	HSK-A100 ER32.160	71HSKA100ER3216				56.5		160	131			3.7	
	HSK-A100 ER40.120	71HSKA100ER4012	ER 40	3 ~ 26	63	71.5		120	91	60		3.5	



- WELDON TOOLHOLDER
- ДЕРЖАТЕЛИ WELDON
- OPRAWKA NARZĘDZIOWA WELDON
- NÁSTROJOVÝ DRŽÁK WELDON
- WELDON TAKIM TUTUCU

DIN 69893 HSK-A
WD - DIN 1835-B

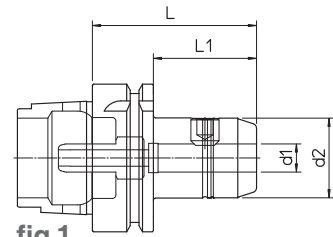


fig.1

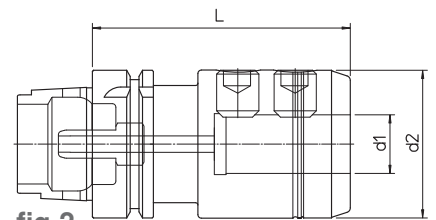


fig.2

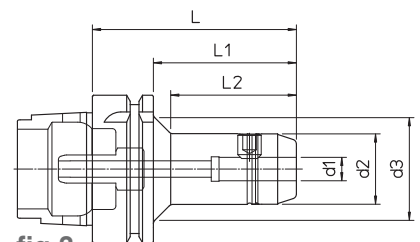


fig.3

- Supplied with coolant tube
- Содержит соединение для хладагента
- Wyposażona w złączkę do cieczy chłodzącej
- Dodávané s chladicím potrubím
- Soğutma sıvısı borusuyla tedarik edilir

HSK-A	REF.	CODE	d1 ^{H5}	d2	d3	L	L1	L2	kg	fig.
63	HSK-A63 WD06.60	71HСКА063WD0606	6	23	-	60	34	-	0.8	1
	HSK-A63 WD08.65	71HСКА063WD0806	8	26		65	39		0.9	
	HSK-A63 WD10.70	71HСКА063WD1007	10	30		70	44		1.1	
	HSK-A63 WD12.70	71HСКА063WD1207	12	34					1.2	
	HSK-A63 WD16.80	71HСКА063WD1608	16	42		80	54		1.4	
	HSK-A63 WD20.80	71HСКА063WD2008	20	50					1.5	
	HSK-A63 WD25.110	71HСКА063WD2511	25	63		110	-		2.3	
	HSK-A63 WD32.110	71HСКА063WD3211	32	70					2.5	
100	HSK-A100 WD10.90	71HСКА100WD1009	10	30	45	90	61	53.5	2.3	3
	HSK-A100 WD12.100	71HСКА100WD1210	12	34				65.5	2.4	
	HSK-A100 WD14.100	71HСКА100WD1410	14	38		100	71	67.5	2.5	
	HSK-A100 WD16.100	71HСКА100WD1610	16	42	-				2.6	1
	HSK-A100 WD18.110	71HСКА100WD1811	18	46		110	81		3	
	HSK-A100 WD20.110	71HСКА100WD2011	20	50					3.1	
	HSK-A100 WD25.120	71HСКА100WD2512	25	63					3.9	
	HSK-A100 WD32.120	71HСКА100WD3212	32	70		120	91		4.3	
HSK-A100 WD40.120	71HСКА100WD4012	40	80				4.8			

DIN 69893 HSK-A

PF

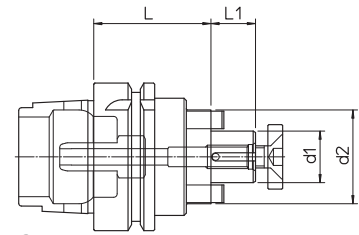


fig.1

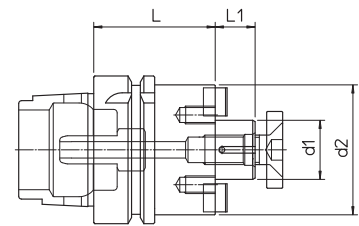


fig.2

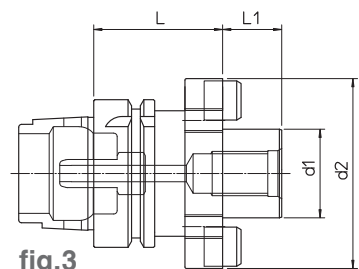
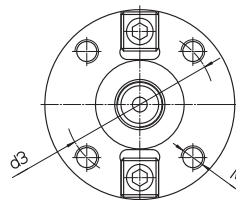
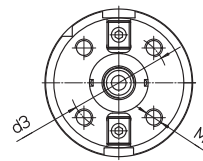


fig.3



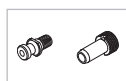
- Supplied with coolant tube
- Содержит соединение для хладагента
- Wyposażona w złączkę do cieczy chłodzącej
- Dodávané s chladicím potrubím
- Soğutma sıvısı borusuyla tedarik edilir

HSK-A	REF.	CODE	d ₁	d ₂	d ₃	M	L	L ₁	kg	fig.
63	HSK-A63 PF16.50	71HSKA063PF1605	16	32			50	17	1.1	1
	HSK-A63 PF22.50	71HSKA063PF2205	22	40	-			19	1.2	
	HSK-A63 PF27.55	71HSKA063PF2705	27	50				21	1.4	
	HSK-A63 PF32.60	71HSKA063PF3206	32	60				24	1.8	
100	HSK-A100 PF22.65	71HSKA100PF2265	22	40			65	19	2.3	2
	HSK-A100 PF27.65	71HSKA100PF2765	27	50	-			21	2.5	
	HSK-A100 PF32.70	71HSKA100PF3270	32	60			70	24	2.9	
	HSK-A100 PF40.70	71HSKA100PF4070	40	88	66.7	M12		27	3.3	
	HSK-A100 PF60.75	71HSKA100PF6075	60	128.5	101.6	M16		40	4.2	

248



240

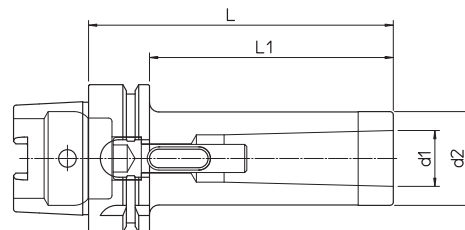


223



- MORSE TAPER TOOLHOLDER
- ДЕРЖАТЕЛИ С КОНУСОМ МОРСЕ
- OPRAWKA STOŻKOWA MORSE'A
- NÁSTROJOVÝ DRŽÁK S KUŽELEM MORSE
- MORS KONIK TAKIM TUTUCU

DIN 69893 HSK-A
CM - DIN 228 AB

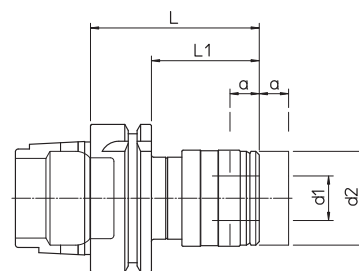


197

HSK-A	REF.	CODE	MORSE	d ₁	d ₂	L	L ₁	kg
63	HSK-A63 CM2.110 A-B	71HСКА063CMB211	2	17.780	32	110	84	2
	HSK-A63 CM3.130 A-B	71HСКА063CMB313	3	23.825	40	130	104	2.2
	HSK-A63 CM4.155 A-B	71HСКА063CMB415	4	31.267	48	155	129	2.6

- TAPPING TOOLHOLDER
- ДЕРЖАТЕЛИ МЕТЧИКОВ
- OPRAWKA GWINTOWNIKA
- ZÁVITOŘEZNÝ NÁSTROJOVÝ DRŽÁK
- DIŞ ÇEKME TAKIMI TUTUCU

DIN 69893 HSK-A
MS



HSK-A	REF.	CODE	d ₁	d ₂	L	L ₁	a	kg
63	HSK-A63 MS1 M3-12	71HСКА063M10312	19	39	72	46	7.5	1
	HSK-A63 MS2 M8-20	71HСКА063M20820	31	60	110	84	10	1.7



DIN 69871 AD+B40

ER - DIN 6499

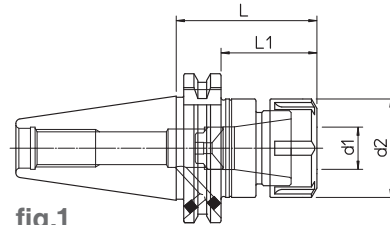


fig.1

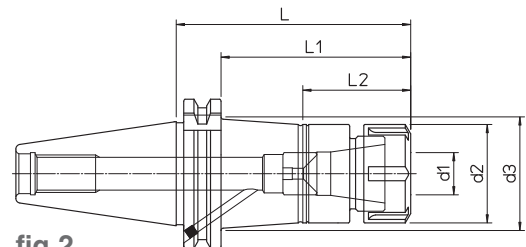


fig.2

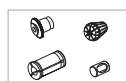
- Supplied without collets and clamping wrenches
- Эластичная цанга и зажимный ключ не входят в комплект поставки
- Tuleja elastyczna i klucze zaciskowe nie są na wyposażeniu
- Dodává se bez pouzder a upínacích klíčů
- Freze çakıları ve sıkıştırma anahtarları olmadan teslim edilir

DIN	REF.	CODE	TYPE	d1	d2	d3	L	L1	L2	kg	fig.
40	DIN69871-AD+B40 ER16.60	71DIN-B40ER1606	ER 16 M	0.5 ~ 10	22	-	60	41	-	0.9	1
	DIN69871-AD+B40 ER16.100	71DIN-B40ER1610				29.5	100	81	41	1	2
	DIN69871-AD+B40 ER16.160	71DIN-B40ER1616				38	160	141	41	2	
	DIN69871-AD+B40 ER25.60	71DIN-B40ER2506	ER 25	1 ~ 16	42	-	60	41	-	1.1	1
	DIN69871-AD+B40 ER25.100	71DIN-B40ER2510				47	100	81	46	1.6	2
	DIN69871-AD+B40 ER25.160	71DIN-B40ER2516				50	160	141	46	2.1	
	DIN69871-AD+B40 ER32.70	71DIN-B40ER3207	ER 32	2 ~ 20	50	-	70	51	-	1.2	1
	DIN69871-AD+B40 ER32.110	71DIN-B40ER3211					110	91		1.7	
	DIN69871-AD+B40 ER32.160	71DIN-B40ER3216					160	141		2.7	
	DIN69871-AD+B40 ER40.80	71DIN-B40ER4008	ER 40	3 ~ 26	63	-	80	61	-	1.3	
	DIN69871-AD+B40 ER40.120	71DIN-B40ER4012					120	101	2.3		
	DIN69871-AD+B40 ER40.160	71DIN-B40ER4016					160	141	3.3		

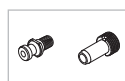
249



242-244



240



223



- COLLET CHUCK HOLDER
- ЦАНГОВЫЕ ПАТРОНЫ
- OPRAWKA TULEI ZACISKOWEJ
- POUZDROVÝ UPÍŇACÍ DRŽÁK
- FREZE ÇAKISI TUTUCULU TORNA AYNASI TUTUCU

DIN 69871 AD+B50
ER - DIN 6499

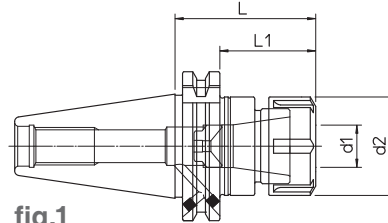


fig.1

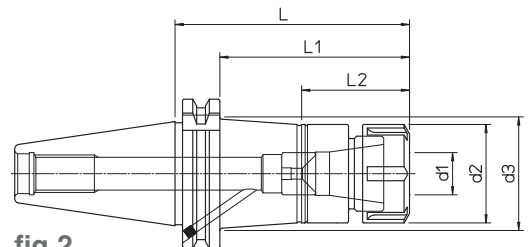


fig.2

- Supplied without collets and clamping wrenches
- Эластичная цанга и зажимный ключ не входят в комплект поставки
- Tuleja elastyczna i klucze zaciskowe nie są na wyposażeniu
- Dodává se bez pouzder a upínacích klíčů
- Freze çakıları ve sıkıştırma anahtarları olmadan teslim edilir

DIN	REF.	CODE	TYPE	d ₁	d ₂	d ₃	L	L ₁	L ₂	kg	fig.
50	DIN69871-AD+B50 ER16.100	71DIN-B50ER1610	ER 16 M	0.5 ~ 10	22	29.5	100	81	41	2.5	2
	DIN69871-AD+B50 ER16.160	71DIN-B50ER1616				32.5	160	141		3.3	
	DIN69871-AD+B50 ER25.70	71DIN-B50ER2507	ER 25	1 ~ 16	42	-	70	51	-	2.5	1
	DIN69871-AD+B50 ER25.110	71DIN-B50ER2511				48	110	91	46	2.8	
	DIN69871-AD+B50 ER25.160	71DIN-B50ER2516	50	160	141	3.6	2				
	DIN69871-AD+B50 ER32.70	71DIN-B50ER3207	ER 32	2 ~ 20	50	-		70	51	-	2.9
	DIN69871-AD+B50 ER32.110	71DIN-B50ER3211				55	110	91	52	3.4	
	DIN69871-AD+B50 ER32.160	71DIN-B50ER3216	57.5	160	141	4	2				
	DIN69871-AD+B50 ER40.100	71DIN-B50ER4010	ER 40	3 ~ 26	63	65		100	81	55	3.8
	DIN69871-AD+B50 ER40.160	71DIN-B50ER4016				70	160	141	4.3		

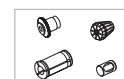
223



240



242-244

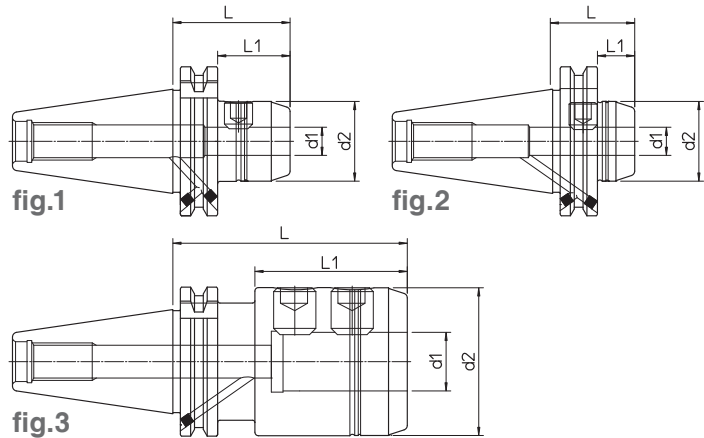


249



DIN 69871 AD+B40

WD - DIN 1835-B



DIN	REF.	CODE	d ₁ ^{H5}	d ₂	L	L ₁	kg	fig.
40	DIN69871-AD+B40 WD06.50	71DIN-B40WD0605	6	23	50	31	0.8	1
	DIN69871-AD+B40 WD06.110	71DIN-B40WD0611			110	91	1	
	DIN69871-AD+B40 WD06.160	71DIN-B40WD0616			160	141	1.1	
	DIN69871-AD+B40 WD08.50	71DIN-B40WD0805	8	26	50	31	0.9	
	DIN69871-AD+B40 WD08.110	71DIN-B40WD0811			110	91	1.1	
	DIN69871-AD+B40 WD08.160	71DIN-B40WD0816			160	141	1.3	
	DIN69871-AD+B40 WD10.50	71DIN-B40WD1005	10	30	50	31	1	
	DIN69871-AD+B40 WD10.110	71DIN-B40WD1011			110	91	1.4	
	DIN69871-AD+B40 WD10.160	71DIN-B40WD1016			160	141	1.6	
	DIN69871-AD+B40 WD12.35	71DIN-B40WD1203	12	34	35	16	1	2
	DIN69871-AD+B40 WD12.50	71DIN-B40WD1205			50	31	1.1	1
	DIN69871-AD+B40 WD12.110	71DIN-B40WD1211			110	91	1.4	
	DIN69871-AD+B40 WD12.160	71DIN-B40WD1216	160	141	1.7			
	DIN69871-AD+B40 WD14.50	71DIN-B40WD1405	14	38	50	31	1.2	
	DIN69871-AD+B40 WD14.110	71DIN-B40WD1411			110	91	1.6	
	DIN69871-AD+B40 WD16.35	71DIN-B40WD1603	16	42	35	16	1.1	2
	DIN69871-AD+B40 WD16.63	71DIN-B40WD1606			63	44	1.3	1
	DIN69871-AD+B40 WD16.110	71DIN-B40WD1611			110	91	1.7	
	DIN69871-AD+B40 WD16.160	71DIN-B40WD1616			160	141	2.2	
	DIN69871-AD+B40 WD18.63	71DIN-B40WD1806	18	46	63	44	1.4	
	DIN69871-AD+B40 WD18.110	71DIN-B40WD1811			110	91	1.9	
	DIN69871-AD+B40 WD20.35	71DIN-B40WD2003	20	50	44	35	1.2	2
	DIN69871-AD+B40 WD20.63	71DIN-B40WD2006			63	44	1.5	1
	DIN69871-AD+B40 WD20.110	71DIN-B40WD2011			110	91	2.1	
DIN69871-AD+B40 WD20.160	71DIN-B40WD2016	160			141	2.6		
DIN69871-AD+B40 WD25.35	71DIN-B40WD2503	25	63	44	35	1.3	2	
DIN69871-AD+B40 WD25.100	71DIN-B40WD2510			100	65	2	3	
DIN69871-AD+B40 WD25.160	71DIN-B40WD2516			160	125	3.2		
DIN69871-AD+B40 WD32.100	71DIN-B40WD3210	32	70	100	65	2.5		
DIN69871-AD+B40 WD32.160	71DIN-B40WD3216			160	125	3.9		



- WELDON TOOLHOLDER
- ДЕРЖАТЕЛИ WELDON
- OPRAWKA NARZĘDZIOWA WELDON
- NÁSTROJOVÝ DRŽÁK WELDON
- WELDON TAKIM TUTUCU

DIN 69871 AD+B50
WD - DIN 1835-B

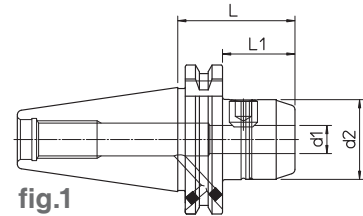


fig.1

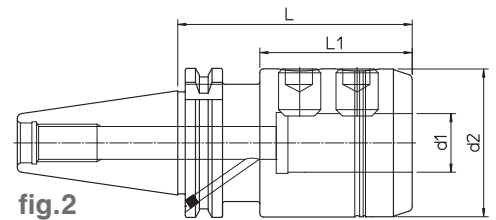


fig.2

201

DIN	REF.	CODE	d ₁ ^{H5}	d ₂	L	L ₁	kg	fig.
50	DIN69871-AD+B50 WD06.63	71DIN-B50WD0606	6	23	63	44	2.3	1
	DIN69871-AD+B50 WD06.110	71DIN-B50WD0611			110	91	2.4	
	DIN69871-AD+B50 WD06.160	71DIN-B50WD0616			160	141	2.5	
	DIN69871-AD+B50 WD08.63	71DIN-B50WD0806	8	26	63	44	2.4	
	DIN69871-AD+B50 WD08.110	71DIN-B50WD0811			110	91	2.5	
	DIN69871-AD+B50 WD08.160	71DIN-B50WD0816			160	141	2.7	
	DIN69871-AD+B50 WD10.63	71DIN-B50WD1006	10	30	63	44	2.5	
	DIN69871-AD+B50 WD10.110	71DIN-B50WD1011			110	91	2.7	
	DIN69871-AD+B50 WD10.160	71DIN-B50WD1016			160	141	2.9	
	DIN69871-AD+B50 WD12.63	71DIN-B50WD1206	12	34	63	44	2.6	
	DIN69871-AD+B50 WD12.110	71DIN-B50WD1211			110	91	2.8	
	DIN69871-AD+B50 WD12.160	71DIN-B50WD1216			160	141	3.2	
	DIN69871-AD+B50 WD14.63	71DIN-B50WD1406	14	38	63	44	2.7	
	DIN69871-AD+B50 WD14.110	71DIN-B50WD1411			110	91	3	
	DIN69871-AD+B50 WD16.63	71DIN-B50WD1606	16	42	63	44	2.8	
	DIN69871-AD+B50 WD16.110	71DIN-B50WD1611			110	91	3.2	
	DIN69871-AD+B50 WD16.160	71DIN-B50WD1616			160	141	3.7	
	DIN69871-AD+B50 WD18.63	71DIN-B50WD1806	18	46	63	44	2.9	
	DIN69871-AD+B50 WD18.110	71DIN-B50WD1811			110	91	3.4	
	DIN69871-AD+B50 WD20.63	71DIN-B50WD2006	20	50	63	44	3	
	DIN69871-AD+B50 WD20.110	71DIN-B50WD2011			110	91	3.6	
	DIN69871-AD+B50 WD20.160	71DIN-B50WD2016			160	141	4.2	
	DIN69871-AD+B50 WD25.80	71DIN-B50WD2508	25	63	80	61	3.5	
	DIN69871-AD+B50 WD25.110	71DIN-B50WD2511			110	91	4.1	
DIN69871-AD+B50 WD25.160	71DIN-B50WD2516	160			141	5.1		
DIN69871-AD+B50 WD32.100	71DIN-B50WD3210	32	70	100	81	4.6		
DIN69871-AD+B50 WD32.160	71DIN-B50WD3216			160	141	6		
DIN69871-AD+B50 WD40.100	71DIN-B50WD4010	40	80	100	81	4.8		
DIN69871-AD+B50 WD40.160	71DIN-B50WD4016			160	141	6.5		

223



240



249



- MILL HOLDER
- ОПРАВКА ДЛЯ ФРЕЗ
- OPRAWKA FREZARSKA
- FRÉZOVACÍ DRŽÁK
- FREZE TUTUCU

DIN 69871 AD+B

PF

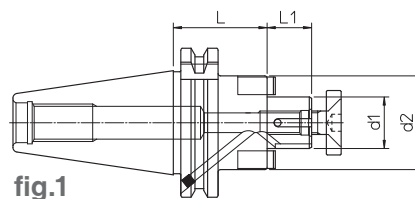


fig.1

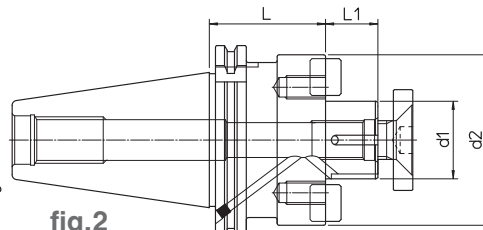
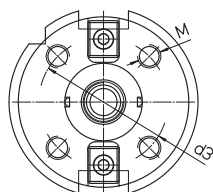
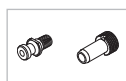


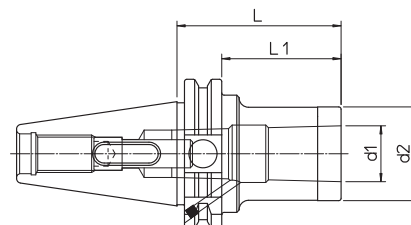
fig.2

DIN	REF.	CODE	d1	d2	d3	M	L	L1	kg	fig.			
40	DIN69871-AD+B40 PF16.35	71DIN-B40PF1603	16	32	-	-	35	-	0.9	1			
	DIN69871-AD+B40 PF16.110	71DIN-B40PF1611					110		17		1.3		
	DIN69871-AD+B40 PF16.160	71DIN-B40PF1616					160		-		1.9		
	DIN69871-AD+B40 PF22.40	71DIN-B40PF2204	22	40			40	-	1				
	DIN69871-AD+B40 PF22.110	71DIN-B40PF2211					110		19		1.7		
	DIN69871-AD+B40 PF22.160	71DIN-B40PF2216					160		-		2.1		
	DIN69871-AD+B40 PF27.45	71DIN-B40PF2704	27	50			45	-	1.2				
	DIN69871-AD+B40 PF27.110	71DIN-B40PF2711					110		21		2.2		
	DIN69871-AD+B40 PF27.160	71DIN-B40PF2716					160		-		2.9		
	DIN69871-AD+B40 PF32.50	71DIN-B40PF3205	32	60			50	-	1.7				
	DIN69871-AD+B40 PF32.110	71DIN-B40PF3211					110		24		3		
DIN69871-AD+B40 PF40.55	71DIN-B40PF4005	40	70	55	27	2.1							
50	DIN69871-AD+B50 PF16.40	71DIN-B50PF1604	16	32	-	-	40	-	2.4	1			
	DIN69871-AD+B50 PF16.110	71DIN-B50PF1611					110		17		2.8		
	DIN69871-AD+B50 PF16.160	71DIN-B50PF1616					160		-		3.1		
	DIN69871-AD+B50 PF22.45	71DIN-B50PF2204	22	40			45	-	2.6				
	DIN69871-AD+B50 PF22.110	71DIN-B50PF2211					110		19		3.2		
	DIN69871-AD+B50 PF22.160	71DIN-B50PF2216					160		-		3.7		
	DIN69871-AD+B50 PF27.50	71DIN-B50PF2705	27	50			50	-	2.7				
	DIN69871-AD+B50 PF27.110	71DIN-B50PF2711					110		21		3.6		
	DIN69871-AD+B50 PF27.160	71DIN-B50PF2716					160		-		4.4		
	DIN69871-AD+B50 PF32.55	71DIN-B50PF3205	32	60			55	-	3.2				
	DIN69871-AD+B50 PF32.120	71DIN-B50PF3212					120		24		5.5		
	DIN69871-AD+B50 PF40.60	71DIN-B50PF4006	40	88			66.7	M12	60		27	4.3	2
	DIN69871-AD+B50 PF40.120	71DIN-B50PF4012							120			-	
DIN69871-AD+B50 PF60.70	71DIN-B50PF6007	60			128.5	101.6			M16	70		40	



- MORSE TAPER TOOLHOLDER
- ДЕРЖАТЕЛИ С КОНУСОМ МОРСЕ
- OPRAWKA STOŻKOWA MORSE'A
- NÁSTROJOVÝ DRŽÁK S KUŽELEM MORSE
- MORS KONIK TAKIM TUTUCU

DIN 69871 AD+B
CM - DIN 228 AB

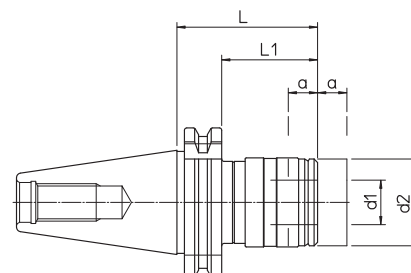


203

DIN	REF.	CODE	MORSE	d1	d2	L	L1	kg
40	DIN69871-AD+B40 CM2.50 A-B	71DIN-B40CMB205	2	17.780	32	50	31	1
	DIN69871-AD+B40 CM2.125 A-B	71DIN-B40CMB212				125	106	1.4
	DIN69871-AD+B40 CM3.70 A-B	71DIN-B40CMB307	3	23.825	40	51	1.1	
	DIN69871-AD+B40 CM3.140 A-B	71DIN-B40CMB314			42	140	121	1.5
50	DIN69871-AD+B50 CM2.60 A-B	71DIN-B50CMB206	2	17.780	32	60	41	2.6
	DIN69871-AD+B50 CM2.125 A-B	71DIN-B50CMB212				125	106	2.8
	DIN69871-AD+B50 CM3.60 A-B	71DIN-B50CMB306	3	23.825	40	41	2.7	
	DIN69871-AD+B50 CM3.140 A-B	71DIN-B50CMB314			42	140	121	3.2
	DIN69871-AD+B50 CM4.80 A-B	71DIN-B50CMB408	4	31.267	48	80	61	2.9

- TAPPING TOOLHOLDER
- ДЕРЖАТЕЛИ МЕТЧИКОВ
- OPRAWKA GWINTOWNIKA
- ZÁVITOŘEZNÝ NÁSTROJOVÝ DRŽÁK
- DIŞ ÇEKME TAKIMI TUTUCU

DIN 69871 A
MS

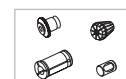
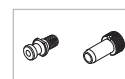


DIN	REF.	CODE	d1	d2	L	L1	a	kg
40	DIN69871-A40 MS1 M3-12	71DIN-A40M10312	19	36	60	40.9	7.5	0.9
	DIN69871-A40 MS2 M8-20	71DIN-A40M20820	31	53	98	78.9	12.5	1.3
50	DIN69871-A50 MS1 M3-12	71DIN-A50M10312	19	38	62	42.9	7.5	2.8
	DIN69871-A50 MS2 M8-20	71DIN-A50M20820	31	53	84	64.9	12.5	3.1
	DIN69871-A50 MS3 M14-33	71DIN-A50M31433	48	78	139	119.9	20	4.3

240

245

249



UNI
HSK DIN
MAS-BT

- COLLET CHUCK HOLDER
- ЦАНГОВЫЕ ПАТРОНЫ
- OPRAWKA TULEI ZACISKOWEJ
- POUZDROVÝ UPÍNACÍ DRŽÁK
- FREZE ÇAKISI TUTUCULU TORNA AYNASI TUTUCU

MAS 403 BT40 AD+B

ER - DIN 6499

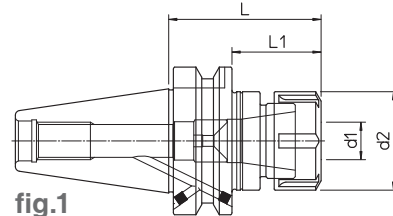


fig.1

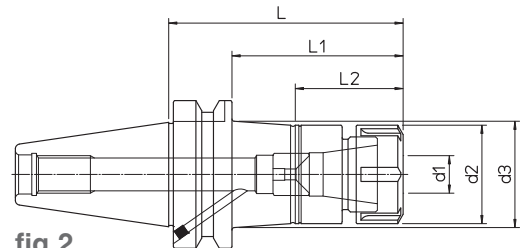
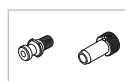
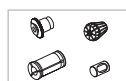


fig.2

- Supplied without collets and clamping wrenches
- Эластичная цанга и зажимный ключ не входят в комплект поставки.
- Tuleja elastyczna i klucze zaciskowe nie są na wyposażeniu
- Dodává se bez pouzder a upínacích klíčů
- Freze çakıları ve sıkıştırma anahtarları olmadan teslim edilir

BT	REF.	CODE	TYPE	d ₁	d ₂	d ₃	L	L ₁	L ₂	kg	fig.
40	MAS403 BT40-AD+B ER16.60	71MBT-B40ER1606	ER 16 M	0.5 ~ 10	22	-	60	33	-	1	1
	MAS403 BT40-AD+B ER16.100	71MBT-B40ER1610				28	100	73	41	1.1	2
	MAS403 BT40-AD+B ER16.160	71MBT-B40ER1616				36.5	160	133	41	2.1	2
	MAS403 BT40-AD+B ER25.65	71MBT-B40ER2506	ER 25	1 ~ 16	42	-	65	38	-	1.2	1
	MAS403 BT40-AD+B ER25.100	71MBT-B40ER2510				45.5	100	73	46	1.7	2
	MAS403 BT40-AD+B ER25.160	71MBT-B40ER2516				49.5	160	133	46	2.2	2
	MAS403 BT40-AD+B ER32.70	71MBT-B40ER3207	ER 32	2 ~ 20	50	-	70	43	-	1.3	1
	MAS403 BT40-AD+B ER32.110	71MBT-B40ER3211				110	83	1.8			
	MAS403 BT40-AD+B ER32.160	71MBT-B40ER3216				160	133	2.8			
	MAS403 BT40-AD+B ER40.80	71MBT-B40ER4008	ER 40	3 ~ 26	63	-	80	53	-	1.4	1
	MAS403 BT40-AD+B ER40.120	71MBT-B40ER4012				120	93	2.4			
	MAS403 BT40-AD+B ER40.160	71MBT-B40ER4016				160	133	3.4			



- COLLET CHUCK HOLDER
- ЦАНГОВЫЕ ПАТРОНЫ
- OPRAWKA TULEI ZACISKOWEJ
- POUZDROVÝ UPÍNACÍ DRŽÁK
- FREZE ÇAKISI TUTUCULU TORNA AYNASI TUTUCU

MAS 403 BT50 AD+B
ER - DIN 6499

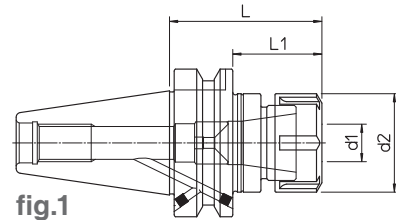


fig.1

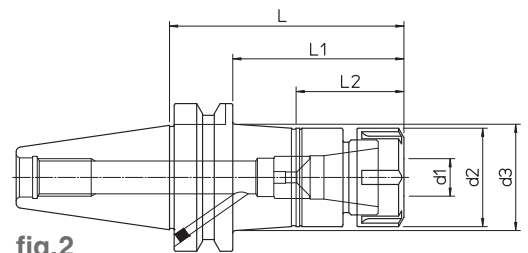


fig.2

205

- Supplied without collets and clamping wrenches
- Эластичная цанга и зажимный ключ не входят в комплект поставки.
- Tuleja elastyczna i klucze zaciskowe nie są na wyposażeniu
- Dodává se bez pouzder a upínacích klíčů
- Freze çakıları ve sıkıştırma anahtarları olmadan teslim edilir

BT	REF.	CODE	TYPE	d ₁	d ₂	d ₃	L	L ₁	L ₂	kg	fig.
50	MAS403 BT50-AD+B ER16.100	71MBT-B50ER1610	ER 16 M	0.5 ~ 10	22	26.5	100	62	41	3.6	2
	MAS403 BT50-AD+B ER16.160	71MBT-B50ER1616				31	160	122		4.3	
	MAS403 BT50-AD+B ER25.75	71MBT-B50ER2507	ER 25	1 ~ 16	42	-	75	37	-	3.5	1
	MAS403 BT50-AD+B ER25.110	71MBT-B50ER2511				45.5	110	72	46	3.8	2
	MAS403 BT50-AD+B ER25.160	71MBT-B50ER2516				48.5	160	122		4.6	
	MAS403 BT50-AD+B ER32.80	71MBT-B50ER3208	ER 32	2 ~ 20	50	-	80	42	-	3.9	1
	MAS403 BT50-AD+B ER32.110	71MBT-B50ER3211				52.5	110	72	52	4.4	2
	MAS403 BT50-AD+B ER32.160	71MBT-B50ER3216				56	160	122		5	
	MAS403 BT50-AD+B ER40.100	71MBT-B50ER4010	ER 40	3 ~ 26	63	-	100	62	-	4.8	1
	MAS403 BT50-AD+B ER40.160	71MBT-B50ER4016				68.5	160	122	55	5.3	2

223



240



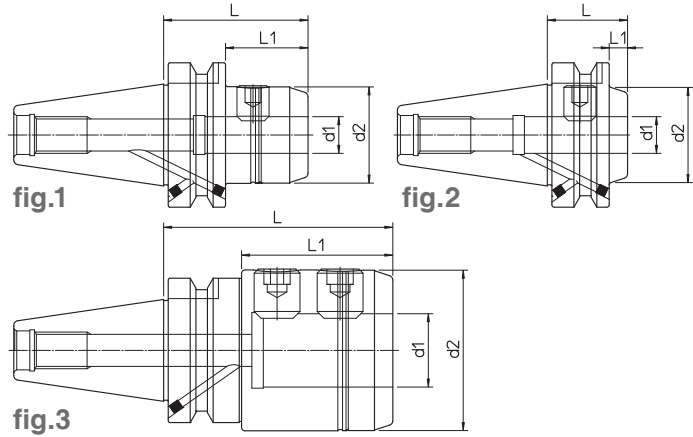
242-244



249



MAS 403 BT40 AD+B WD - DIN 1835-B

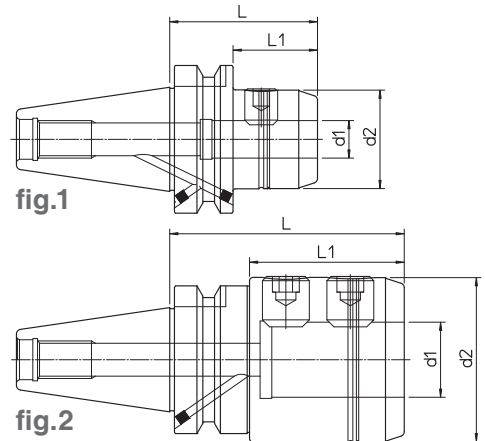


BT	REF.	CODE	d1 ^{H5}	d2	L	L1	kg	fig.
40	MAS403 BT40-AD+B WD06.50	71MBT-B40WD0605	6	23	50	23	0.8	1
	MAS403 BT40-AD+B WD06.110	71MBT-B40WD0611			110	83	0.9	
	MAS403 BT40-AD+B WD06.160	71MBT-B40WD0616			160	133	1.1	
	MAS403 BT40-AD+B WD08.50	71MBT-B40WD0805	8	26	50	23	0.9	
	MAS403 BT40-AD+B WD08.110	71MBT-B40WD0811			110	83	1.1	
	MAS403 BT40-AD+B WD08.160	71MBT-B40WD0816			160	133	1.3	
	MAS403 BT40-AD+B WD10.56	71MBT-B40WD1005	10	30	56	29	1	
	MAS403 BT40-AD+B WD10.110	71MBT-B40WD1011			110	83	1.2	
	MAS403 BT40-AD+B WD10.160	71MBT-B40WD1016			160	133	1.5	
	MAS403 BT40-AD+B WD12.35	71MBT-B40WD1203	12	34	35	8	0.9	2
	MAS403 BT40-AD+B WD12.56	71MBT-B40WD1205			56	29	1.1	1
	MAS403 BT40-AD+B WD12.110	71MBT-B40WD1211			110	83	1.4	
	MAS403 BT40-AD+B WD12.160	71MBT-B40WD1216			160	133	1.7	
	MAS403 BT40-AD+B WD14.56	71MBT-B40WD1405	14	38	56	29	1.2	
	MAS403 BT40-AD+B WD14.110	71MBT-B40WD1411			110	83	1.6	
	MAS403 BT40-AD+B WD16.35	71MBT-B40WD1603	16	42	35	8	1	2
	MAS403 BT40-AD+B WD16.63	71MBT-B40WD1606			63	36	1.3	1
	MAS403 BT40-AD+B WD16.110	71MBT-B40WD1611			110	83	1.7	
	MAS403 BT40-AD+B WD16.160	71MBT-B40WD1616			160	133	2.2	
	MAS403 BT40-AD+B WD18.63	71MBT-B40WD1806	18	46	63	36	1.4	
	MAS403 BT40-AD+B WD18.110	71MBT-B40WD1811			110	83	1.9	
	MAS403 BT40-AD+B WD20.35	71MBT-B40WD2003	20	50	35	8	1.1	2
	MAS403 BT40-AD+B WD20.63	71MBT-B40WD2006			63	36	1.5	1
	MAS403 BT40-AD+B WD20.110	71MBT-B40WD2011			110	83	2.1	
	MAS403 BT40-AD+B WD20.160	71MBT-B40WD2016			160	133	2.6	
	MAS403 BT40-AD+B WD25.35	71MBT-B40WD2503	25	63	35	8	1	2
	MAS403 BT40-AD+B WD25.100	71MBT-B40WD2510			100	73	2	3
	MAS403 BT40-AD+B WD25.160	71MBT-B40WD2516			160	133	3.2	
MAS403 BT40-AD+B WD32.100	71MBT-B40WD3210	32	70	100	67	2.5		
MAS403 BT40-AD+B WD32.160	71MBT-B40WD3216			160	127	3.9		



- WELDON TOOLHOLDER
- ДЕРЖАТЕЛИ WELDON
- OPRAWKA NARZĘDZIOWA WELDON
- NÁSTROJOVÝ DRŽÁK WELDON
- WELDON TAKIM TUTUCU

MAS 403 BT50 AD+B
WD - DIN 1835-B



207

BT	REF.	CODE	d1 ^{H5}	d2	L	L1	kg	fig.
50	MAS403 BT50-AD+B WD06.63	71MBT-B50WD0606	6	23	63	25	2.3	1
	MAS403 BT50-AD+B WD06.110	71MBT-B50WD0611			110	72	2.4	
	MAS403 BT50-AD+B WD06.160	71MBT-B50WD0616			160	122	2.6	
	MAS403 BT50-AD+B WD08.63	71MBT-B50WD0806	8	26	63	25	2.4	
	MAS403 BT50-AD+B WD08.110	71MBT-B50WD0811			110	72	2.5	
	MAS403 BT50-AD+B WD08.160	71MBT-B50WD0816			160	122	2.7	
	MAS403 BT50-AD+B WD10.70	71MBT-B50WD1007	10	30	70	32	3	
	MAS403 BT50-AD+B WD10.110	71MBT-B50WD1011			110	72	3.2	
	MAS403 BT50-AD+B WD10.160	71MBT-B50WD1016			160	122	3.4	
	MAS403 BT50-AD+B WD12.70	71MBT-B50WD1207	12	34	70	32	3.1	
	MAS403 BT50-AD+B WD12.110	71MBT-B50WD1211			110	72	3.3	
	MAS403 BT50-AD+B WD12.160	71MBT-B50WD1216			160	122	3.6	
	MAS403 BT50-AD+B WD14.70	71MBT-B50WD1407	14	38	70	32	3.2	
	MAS403 BT50-AD+B WD14.110	71MBT-B50WD1411			110	72	3.5	
	MAS403 BT50-AD+B WD16.80	71MBT-B50WD1608	16	42	80	42	3.3	
	MAS403 BT50-AD+B WD16.110	71MBT-B50WD1611			110	72	3.5	
	MAS403 BT50-AD+B WD16.160	71MBT-B50WD1616			160	122	4	
	MAS403 BT50-AD+B WD18.80	71MBT-B50WD1808	18	46	80	42	3.4	
	MAS403 BT50-AD+B WD18.110	71MBT-B50WD1811			110	72	3.7	
	MAS403 BT50-AD+B WD20.80	71MBT-B50WD2008	20	50	80	42	3.5	
MAS403 BT50-AD+B WD20.110	71MBT-B50WD2011	110			72	3.8		
MAS403 BT50-AD+B WD20.160	71MBT-B50WD2016	160			122	4.5		
MAS403 BT50-AD+B WD25.100	71MBT-B50WD2510	25	63	100	62	4.5	2	
MAS403 BT50-AD+B WD25.125	71MBT-B50WD2512			125	87	5		
MAS403 BT50-AD+B WD25.160	71MBT-B50WD2516			160	122	5.7		
MAS403 BT50-AD+B WD32.100	71MBT-B50WD3210	32	70	100	62	5.6		
MAS403 BT50-AD+B WD32.160	71MBT-B50WD3216			160	122	7		
MAS403 BT50-AD+B WD40.110	71MBT-B50WD4011	40	80	110	72	5.8		
MAS403 BT50-AD+B WD40.160	71MBT-B50WD4016			160	122	7.4		

223

240

249



- MILL HOLDER
- ОПРАВКА ДЛЯ ФРЕЗ
- OPRAWKA FREZARSKA
- FRÉZOVACÍ DRŽÁK
- FREZE TUTUCU

MAS 403 BT AD+B PF

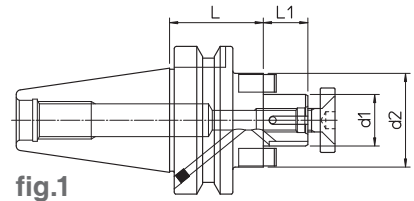


fig.1

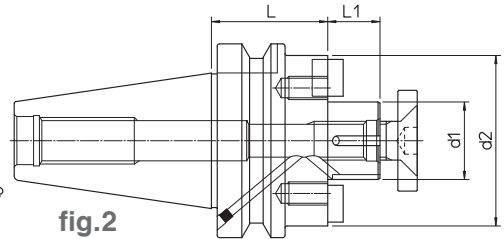
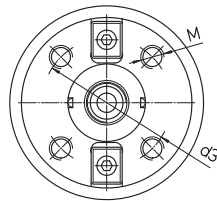


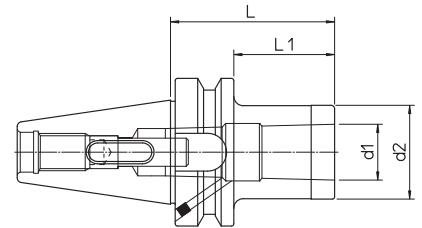
fig.2

BT	REF.	CODE	d1	d2	d3	M	L	L1	kg	fig.
40	MAS403 BT40-AD+B PF16.40	71MBT-B40PF1604	16	32	-	-	40	17	0.9	1
	MAS403 BT40-AD+B PF16.110	71MBT-B40PF1611					110		1.3	
	MAS403 BT40-AD+B PF16.160	71MBT-B40PF1616					160		1.6	
	MAS403 BT40-AD+B PF22.40	71MBT-B40PF2204	22	40			40	19	1	
	MAS403 BT40-AD+B PF22.110	71MBT-B40PF2211					110		1.6	
	MAS403 BT40-AD+B PF22.160	71MBT-B40PF2216					160		2.1	
	MAS403 BT40-AD+B PF27.45	71MBT-B40PF2704	27	50			45	21	1.2	
	MAS403 BT40-AD+B PF27.110	71MBT-B40PF2711					110		2.2	
	MAS403 BT40-AD+B PF27.160	71MBT-B40PF2716					160		2.9	
	MAS403 BT40-AD+B PF32.50	71MBT-B40PF3205	32	60			50	24	1.7	
	MAS403 BT40-AD+B PF32.110	71MBT-B40PF3211					110		3	
MAS403 BT40-AD+B PF40.55	71MBT-B40PF4005	40	70	55	27	2.1				
50	MAS403 BT50-AD+B PF16.50	71MBT-B50PF1605	16	32	50	17	2.4			
	MAS403 BT50-AD+B PF16.110	71MBT-B50PF1611			110		2.8			
	MAS403 BT50-AD+B PF16.160	71MBT-B50PF1616			160		3.1			
	MAS403 BT50-AD+B PF22.50	71MBT-B50PF2205	22	40	50	19	2.6			
	MAS403 BT50-AD+B PF22.110	71MBT-B50PF2211			110		3.2			
	MAS403 BT50-AD+B PF22.160	71MBT-B50PF2216			160		3.7			
	MAS403 BT50-AD+B PF27.55	71MBT-B50PF2705	27	50	55	21	2.7			
	MAS403 BT50-AD+B PF27.110	71MBT-B50PF2711			110		3.6			
	MAS403 BT50-AD+B PF27.160	71MBT-B50PF2716			160		4.3			
	MAS403 BT50-AD+B PF32.55	71MBT-B50PF3205	32	60	55	24	3.2			
	MAS403 BT50-AD+B PF32.120	71MBT-B50PF3212			120		5.5			
	MAS403 BT50-AD+B PF40.60	71MBT-B50PF4006	40	88	66.7	M12	60	27	4.3	
	MAS403 BT50-AD+B PF40.120	71MBT-B50PF4012					120	7.1		
MAS403 BT50-AD+B PF60.80	71MBT-B50PF6008	60	128.5	101.6	M16	80	40	6.8		



- MORSE TAPER TOOLHOLDER
- ДЕРЖАТЕЛИ С КОНУСОМ MORSE
- OPRAWKA STOŻKOWA MORSE'A
- NÁSTROJOVÝ DRŽÁK S KUŽELEM MORSE
- MORS KONIK TAKIM TUTUCU

MAS 403 BT AD+B CM - DIN 228 AB

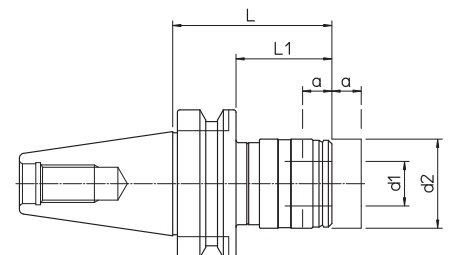


209

BT	REF.	CODE	MORSE	d1	d2	L	L1	kg
40	MAS403 BT40-AD+B CM2.50 A-B	71MBT-B40CMB205	2	17.780	32	50	23	1
	MAS403 BT40-AD+B CM2.125 A-B	71MBT-B40CMB212				125	98	1.3
	MAS403 BT40-AD+B CM3.70 A-B	71MBT-B40CMB307	3	23.825	40	70	43	1.1
	MAS403 BT40-AD+B CM3.140 A-B	71MBT-B40CMB314				140	113	1.5
50	MAS403 BT50-AD+B CM2.60 A-B	71MBT-B50CMB206	2	17.780	32	60	22	2.6
	MAS403 BT50-AD+B CM2.125 A-B	71MBT-B50CMB212				125	87	2.8
	MAS403 BT50-AD+B CM3.60 A-B	71MBT-B50CMB306	3	23.825	40	60	22	2.7
	MAS403 BT50-AD+B CM3.145 A-B	71MBT-B50CMB314				145	107	3.2
	MAS403 BT50-AD+B CM4.80 A-B	71MBT-B50CMB408	4	31.267	48	80	42	2.9

- TAPPING TOOLHOLDER
- ДЕРЖАТЕЛИ МЕТЧИКОВ
- OPRAWKA GWINTOWNIKA
- ZÁVITOŘEZNÝ NÁSTROJOVÝ DRŽÁK
- DIŞ ÇEKME TAKIMI TUTUCU

MAS 403 BT MS



BT	REF.	CODE	d1	d2	L	L1	a	kg
40	MAS403 BT40 MS1 M3-12	71MBT-40-M10312	19	36	67.5	40.5	7.5	0.9
	MAS403 BT40 MS2 M8-20	71MBT-40-M20820	31	53	94.5	67.5	12.5	1.3
50	MAS403 BT50 MS1 M3-12	71MBT-50-M10312	19	38	80	42	7.5	2.8
	MAS403 BT50 MS2 M8-20	71MBT-50-M20820	31	53	102.5	64.5	12.5	3.1
	MAS403 BT50 MS3 M14-33	71MBT-50-M31433	48	78	154.5	116.5	20	4.3



D'ANDREA MONOD'CT

- INDEX
- СОДЕРЖАНИЕ
- SPIS TREŚCI
- REJSTRIK
- DİZİN

p. 240



p. 212

DIN 69893 HSK-A
CT

p. 214

ISO 26623-1 PSC
CT

p. 240



p. 216

DIN 69871 AD+B
CT

p. 240



p. 218

MAS 403 BT AD+B
CT

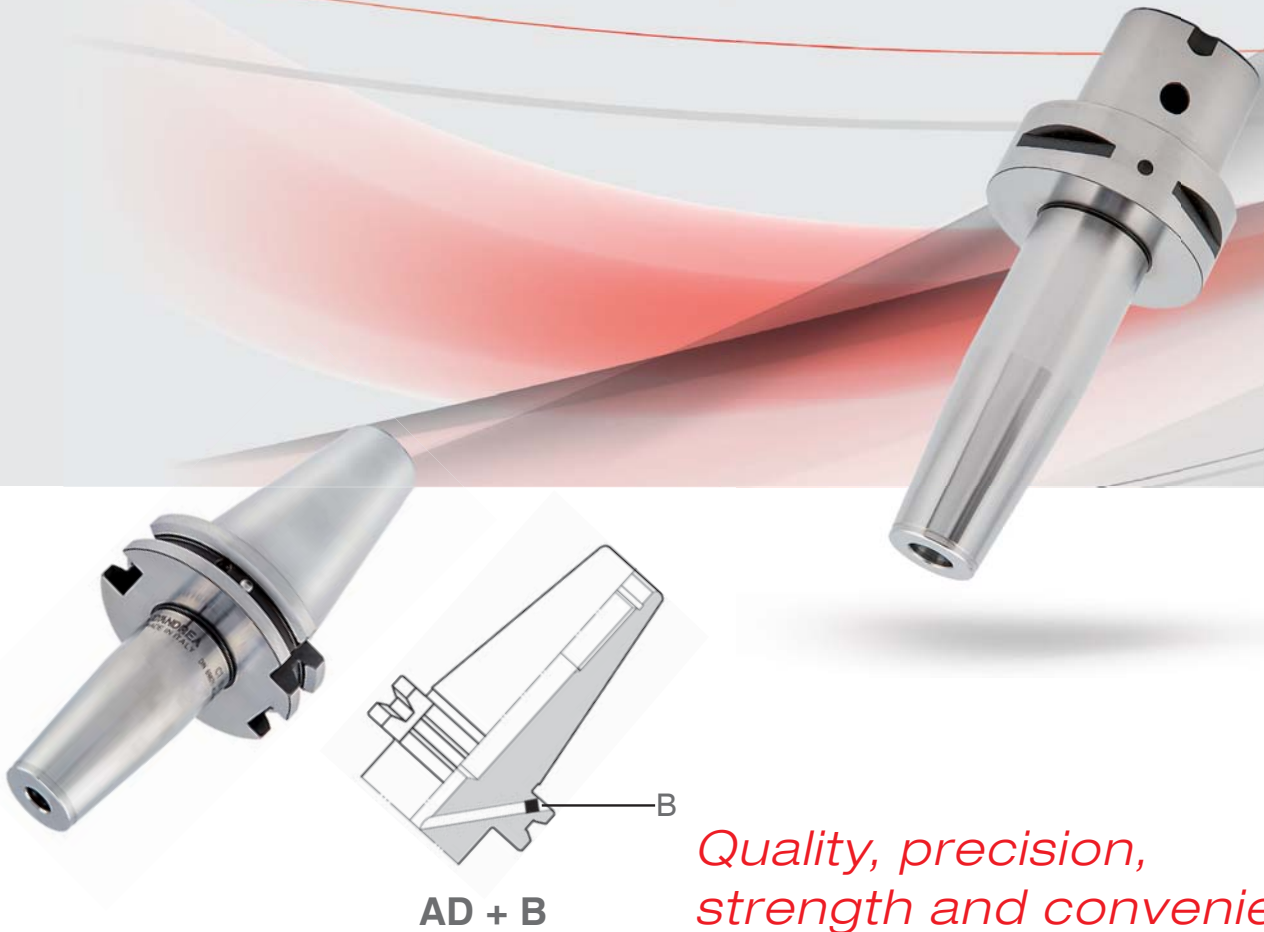


p. 220

PR CT

210





*Quality, precision,
strength and convenience*

- SHRINK FIT CHUCKS
- ШПИНДЕЛИ С ТЕРМИЧЕСКИМ КЛИНОВЫМ СОЕДИНЕНИЕМ
- WRZĘCIONA Z TERMICZNYM POŁĄCZENIEM KLINOWYM
- ULOŽENÍ LISOVANÉ ZA TEPLA
- SIKI GEÇME MANDRENLERİ

GB The integrated to fit chucks MONOd' CT tool holders represent an ideal solution to equip any type of machine tool with HSK 63 and 100, ISO 26623-1 PSC, DIN AD+B and BT AD+B base arbors, guaranteeing the benefits of a high quality and high precision.

RU Неразъемные держатели для инструментов с термическим клиновым соединением представляют собой идеальное решение для любого типа металлорежущих станков с основным соединением HSK 63 и 100, ISO 26623-1 PSC, DIN AD+B и BT AD+B, гарантирующее высокое качество и высокую точность.

PL Integralne uchwyty narzędziowe z termicznym połączeniem klinowym MONOd' CT są idealnym rozwiązaniem dla każdego typu obrabiarki z podstawowym połączeniem HSK 63 i 100, ISO 26623-1 PSC, DIN AD+B i BT AD+B, z gwarancją wysokiej jakości i wysokiego stopnia precyzji

CZ Uložení lisované za tepla integrované s nástrojovými držáky MONOd' CT jsou ideálním řešením pro každý typ obráběcího stroje se základním vybavením HSK 63 a 100, ISO 26623-1 PSC, DIN AD+B a BT AD+B, se zárukou vysoké kvality a vysokého stupně přesnosti.

TR MONOd' CT siki geçme entegre takım tutucuları HSK 63 ve 100, ISO 26623-1 PSC, DIN AD+B ve BT AD+B temel eklere sahip her türlü takım tezgahının donanımında ideal bir çözüm sunarak, üstün kalite ve yüksek doğruluk derecesinde avantajlar sağlar.

- SHRINK FIT CHUCKS
- ШПИНДЕЛИ С ТЕРМИЧЕСКИМ КЛИНОВЫМ СОЕДИНЕНИЕМ
- WRZĘCIONA Z TERMICZNYM POŁĄCZENIEM KLINOWYM
- ULOŽENÍ LISOVANÉ ZA TEPLA
- SIKİ GEÇME MANDRENLERİ

DIN 69893 HSK-A63

CT

0.003

RPM 25.000

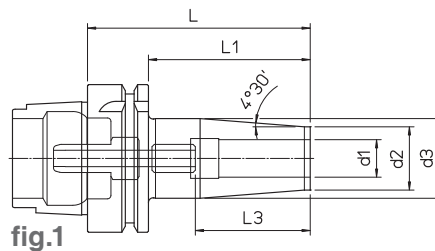


fig.1

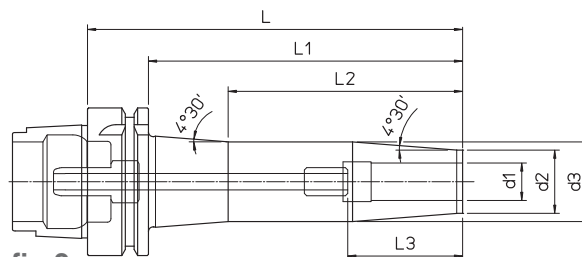


fig.2

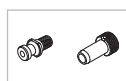
- Supplied with coolant tube
- Содержит соединение для хладагента
- Wyposażona w złączkę do cieczy chłodzącej
- Dodávané s chladičím potrubím
- Soğutma sıvısı borusuyla tedarik edilir

HSK-A	REF.	CODE	d1	d2	d3	L	L1	L2	L3	kg	fig.	
63	HSK-A63 CT03.80	71HСКА063CT0308	3	10	-	80	54	-	9	0.7	1	
	HSK-A63 CT04.80	71HСКА063CT0408	4						12			
	HSK-A63 CT05.80	71HСКА063CT0508	5						15			
	HSK-A63 CT06.80	71HСКА063CT0608	6	21	27	120	94	-	22 / 36	0.8	1	
	HSK-A63 CT06.120	71HСКА063CT0612								1		
	HSK-A63 CT06.160	71HСКА063CT0616								1.2		
	HSK-A63 CT06.200	71HСКА063CT0620	1.4	2								
	HSK-A63 CT08.80	71HСКА063CT0808	8		80	54	-	26 / 36	0.8	1		
	HSK-A63 CT08.120	71HСКА063CT0812							1			
	HSK-A63 CT08.160	71HСКА063CT0816		1.2								
	HSK-A63 CT08.200	71HСКА063CT0820	1.4	2								
	HSK-A63 CT10.85	71HСКА063CT1008	10		24	32	85	59	-	31 / 41	0.9	1
	HSK-A63 CT10.120	71HСКА063CT1012									1.1	
	HSK-A63 CT10.160	71HСКА063CT1016		1.4								
	HSK-A63 CT10.200	71HСКА063CT1020	1.6	2								
	HSK-A63 CT12.90	71HСКА063CT1209	12		24	32	90	64	-	36 / 46	0.9	1
	HSK-A63 CT12.120	71HСКА063CT1212									1.1	
	HSK-A63 CT12.160	71HСКА063CT1216		1.3								
	HSK-A63 CT12.200	71HСКА063CT1220	1.6	2								
	HSK-A63 CT14.90	71HСКА063CT1409	14		27	34	90	64	-	36 / 46	0.9	1
	HSK-A63 CT14.120	71HСКА063CT1412									1.1	
	HSK-A63 CT14.160	71HСКА063CT1416		1.4								
	HSK-A63 CT16.95	71HСКА063CT1609	16	27	34	95	69	-	39 / 49	0.9	1	
	HSK-A63 CT16.120	71HСКА063CT1612								1.1		
	HSK-A63 CT16.160	71HСКА063CT1616								1.4		
	HSK-A63 CT16.200	71HСКА063CT1620	1.7	2								
	HSK-A63 CT18.95	71HСКА063CT1809	18		27	34	95	69	-	39 / 49	1.1	1
	HSK-A63 CT18.120	71HСКА063CT1812									1.4	
	HSK-A63 CT18.160	71HСКА063CT1816		1.8								
	HSK-A63 CT20.100	71HСКА063CT2010	20	33	42	100	74	-	41 / 51	1.4	1	
HSK-A63 CT20.120	71HСКА063CT2012	1.3										
HSK-A63 CT20.160	71HСКА063CT2016	1.8										
HSK-A63 CT20.200	71HСКА063CT2020	2.2	2									
HSK-A63 CT25.120	71HСКА063CT2512	25		44	53	120	94	-	47 / 57	1.8	1	
HSK-A63 CT25.160	71HСКА063CT2516									2.5		

248

240

223



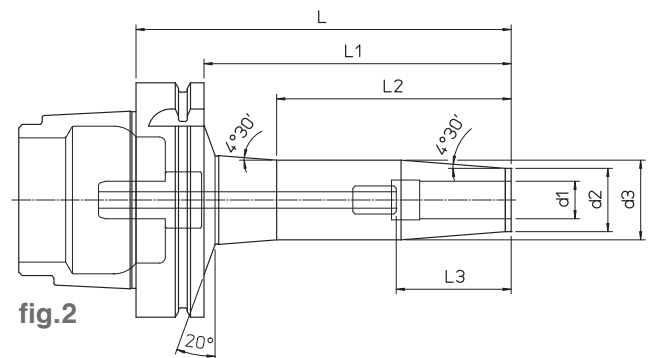
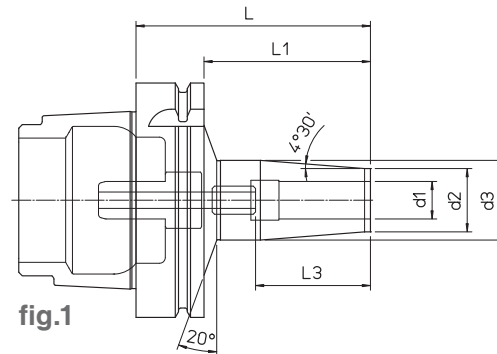
- SHRINK FIT CHUCKS
- ШПИНДЕЛИ С ТЕРМИЧЕСКИМ КЛИНОВЫМ СОЕДИНЕНИЕМ
- WRZĘCIONA Z TERMICZNYM POŁĄCZENIEM KLINOWYM
- ULOŽENÍ LISOVANÉ ZA TEPLA
- SIKI GEÇME MANDRENLERİ

DIN 69893 HSK-A100

CT

0.003

RPM 12.000



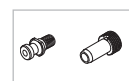
- Supplied with coolant tube
- Содержит соединение для хладагента
- Wyposażona w złączkę do cieczy chłodzącej
- Dodávané s chladicím potrubím
- Soğutma sıvısı borusuyla tedarik edilir

HSK-A	REF.	CODE	d1	d2	d3	L	L1	L2	L3	kg	fig.			
100	HSK-A100 CT06.85	71HSKA100CT0608	6	21	27	85	56	-	22 / 36	2.2	1			
	HSK-A100 CT06.120	71HSKA100CT0612				120	91	-		2.4				
	HSK-A100 CT06.160	71HSKA100CT0616				160	131	100		2.5		2		
	HSK-A100 CT08.85	71HSKA100CT0808	8			24	32	85	56	-	26 / 36	2.2	1	
	HSK-A100 CT08.120	71HSKA100CT0812						120	91	-		2.4		
	HSK-A100 CT08.160	71HSKA100CT0816						160	131	100		2.5		2
	HSK-A100 CT10.90	71HSKA100CT1009	10	27	34			90	61	-	31 / 41	2.3	1	
	HSK-A100 CT10.120	71HSKA100CT1012						120	91	-		2.5		
	HSK-A100 CT10.160	71HSKA100CT1016						160	131	100		2.7		2
	HSK-A100 CT12.95	71HSKA100CT1209	12			33	42	95	66	-	36 / 46	2.3	1	
	HSK-A100 CT12.120	71HSKA100CT1212						120	91	-		2.5		
	HSK-A100 CT12.160	71HSKA100CT1216						160	134	100		2.7		2
	HSK-A100 CT14.95	71HSKA100CT1409	14	44	53			95	66	-	39 / 49	2.3	1	
	HSK-A100 CT14.120	71HSKA100CT1412						120	91	-		2.5		
	HSK-A100 CT14.160	71HSKA100CT1416						160	131	100		2.8		2
	HSK-A100 CT16.100	71HSKA100CT1610	16			44	53	100	71	-	41 / 51	2.3	1	
	HSK-A100 CT16.120	71HSKA100CT1612						120	91	-		2.5		
	HSK-A100 CT16.160	71HSKA100CT1616						160	131	100		2.8		2
	HSK-A100 CT18.100	71HSKA100CT1810	18	44	53			100	71	-	47 / 57	2.5	1	
	HSK-A100 CT18.120	71HSKA100CT1812						120	91	-		2.8		
	HSK-A100 CT18.160	71HSKA100CT1816						160	131	100		3.1		2
	HSK-A100 CT20.120	71HSKA100CT2012	20			44	53	120	91	-	51 / 61	2.7	1	
	HSK-A100 CT20.160	71HSKA100CT2016						160	131	100		3.1		2
	HSK-A100 CT25.120	71HSKA100CT2512						120	91	-		3.1		1
HSK-A100 CT25.160	71HSKA100CT2516	25	44	53	160			131	100	3.8	2			
HSK-A100 CT32.120	71HSKA100CT3212				120			91	-	2.9	1			
HSK-A100 CT32.160	71HSKA100CT3216				160			131	100	3.5	2			

223

240

248



ISO 26623-1 PSC63

CT

0.003

RPM 25.000

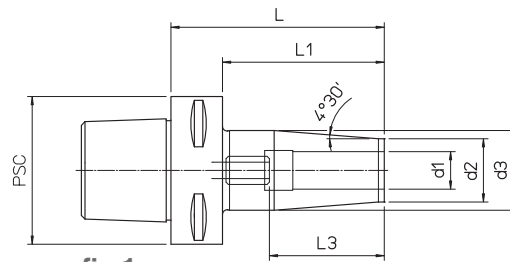


fig.1

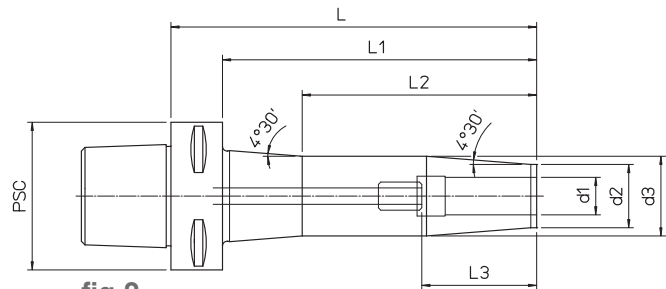


fig.2

PSC	REF.	CODE	d1	d2	d3	L	L1	L2	L3	kg	fig.
63	PSC 63 CT03.80	71PSC-063CT0308	3	10	-	80	58	-	9	0.8	1
	PSC 63 CT04.80	71PSC-063CT0408	4						12		
	PSC 63 CT05.80	71PSC-063CT0508	5						15		
	PSC 63 CT06.80	71PSC-063CT0608	6	21	27	120	98	100	22 / 36	1	1
	PSC 63 CT06.120	71PSC-063CT0612							1.2	2	
	PSC 63 CT06.160	71PSC-063CT0616							0.8	1	
	PSC 63 CT08.80	71PSC-063CT0808	8	21	27	80	58	-	26 / 36	1	1
	PSC 63 CT08.120	71PSC-063CT0812								1.2	2
	PSC 63 CT08.160	71PSC-063CT0816								0.9	1
	PSC 63 CT10.80	71PSC-063CT1008	10	24	32	80	58	-	31 / 41	1.1	1
	PSC 63 CT10.120	71PSC-063CT1012								1.4	2
	PSC 63 CT10.160	71PSC-063CT1016								0.9	1
	PSC 63 CT12.85	71PSC-063CT1208	12	24	32	85	63	-	36 / 46	1.1	1
	PSC 63 CT12.120	71PSC-063CT1212								1.3	2
	PSC 63 CT12.160	71PSC-063CT1216								0.9	1
	PSC 63 CT14.85	71PSC-063CT1408	14	27	34	85	63	-	36 / 46	1.1	1
	PSC 63 CT14.120	71PSC-063CT1412								1.4	2
	PSC 63 CT14.160	71PSC-063CT1416								0.9	1
	PSC 63 CT16.85	71PSC-063CT1608	16	27	34	85	63	-	39 / 49	1.1	1
	PSC 63 CT16.120	71PSC-063CT1612								1.4	2
	PSC 63 CT16.160	71PSC-063CT1616								1.1	1
	PSC 63 CT18.90	71PSC-063CT1809	18	33	42	90	68	-	41 / 51	1.4	1
	PSC 63 CT18.120	71PSC-063CT1812								1.8	2
	PSC 63 CT18.160	71PSC-063CT1816								1.4	1
	PSC 63 CT20.90	71PSC-063CT2009	20	33	42	90	68	-	41 / 51	1.8	2
PSC 63 CT20.120	71PSC-063CT2012	1.4								1	
PSC 63 CT20.160	71PSC-063CT2016	1.3								1	
PSC 63 CT25.120	71PSC-063CT2512	25	44	53	120	98	-	47 / 57	1.4	1	
PSC 63 CT25.160	71PSC-063CT2516								1.8	1	

252

223



- SHRINK FIT CHUCKS
- ШПИНДЕЛИ С ТЕРМИЧЕСКИМ КЛИНОВЫМ СОЕДИНЕНИЕМ
- WRZECIONA Z TERMICZNYM POŁĄCZENIEM KLINOWYM
- ULOŽENÍ LISOVANÉ ZA TEPLA
- SIKI GEÇME MANDRENLERİ

ISO 26623-1 PSC80

CT

0.003

RPM 12.000

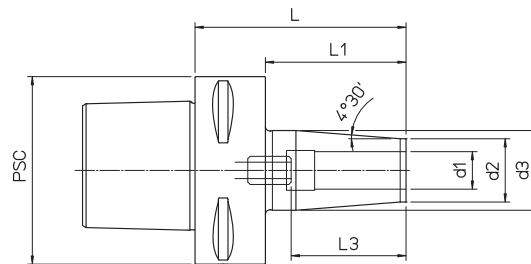


fig.1

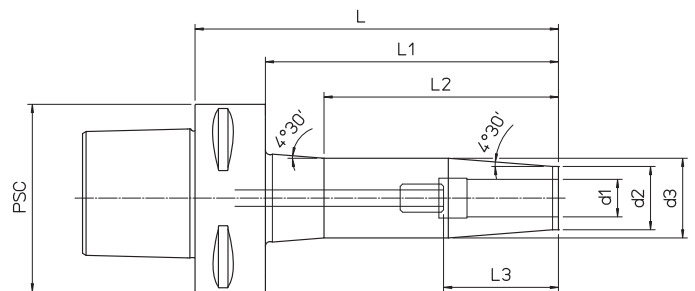


fig.2

215

PSC	REF.	CODE	d1	d2	d3	L	L1	L2	L3	kg	fig.
80	PSC 80 CT06.80	71PSC-080CT0608	6	21	27	80	50	-	22 / 36	2.2	1
	PSC 80 CT06.120	71PSC-080CT0612				120	90	2.4			
	PSC 80 CT06.160	71PSC-080CT0616				160	130	100		2.5	
	PSC 80 CT08.80	71PSC-080CT0808	8	24	32	80	50	-	26 / 36	2.2	1
	PSC 80 CT08.120	71PSC-080CT0812				120	90	2.4			
	PSC 80 CT08.160	71PSC-080CT0816				160	130	100		2.5	
	PSC 80 CT10.90	71PSC-080CT1009	10	27	34	90	60	-	31 / 41	2.3	1
	PSC 80 CT10.120	71PSC-080CT1012				120	90	2.5			
	PSC 80 CT10.160	71PSC-080CT1016				160	130	100		2.7	
	PSC 80 CT12.90	71PSC-080CT1209	12	33	42	90	60	-	36 / 46	2.3	1
	PSC 80 CT12.120	71PSC-080CT1212				120	90	2.5			
	PSC 80 CT12.160	71PSC-080CT1216				160	130	100		2.7	
	PSC 80 CT14.90	71PSC-080CT1409	14	34	42	90	60	-	39 / 49	2.3	1
	PSC 80 CT14.120	71PSC-080CT1412				120	90	2.5			
	PSC 80 CT14.160	71PSC-080CT1416				160	130	100		2.8	
	PSC 80 CT16.90	71PSC-080CT1609	16	44	53	90	60	-	41 / 51	2.3	1
	PSC 80 CT16.120	71PSC-080CT1612				120	90	2.5			
	PSC 80 CT16.160	71PSC-080CT1616				160	130	100		2.8	
	PSC 80 CT18.95	71PSC-080CT1809	18	44	53	95	65	-	47 / 57	2.5	1
	PSC 80 CT18.120	71PSC-080CT1812				120	90	2.8			
	PSC 80 CT18.160	71PSC-080CT1816				160	130	100		3.1	
	PSC 80 CT20.95	71PSC-080CT2009	20	44	53	95	65	-	51 / 61	2.5	1
	PSC 80 CT20.120	71PSC-080CT2012				120	90	2.8			
	PSC 80 CT20.160	71PSC-080CT2016				160	130	100		3.1	
	PSC 80 CT25.120	71PSC-080CT2512	25	44	53	120	90	-	51 / 61	3.1	1
	PSC 80 CT25.160	71PSC-080CT2516				160	130	100		3.8	
	PSC 80 CT32.120	71PSC-080CT3212				120	90	-		2.9	
	PSC 80 CT32.160	71PSC-080CT3216	160	130	100	3.5					

223

252



- SHRINK FIT CHUCKS
- ШПИНДЕЛИ С ТЕРМИЧЕСКИМ КЛИНОВЫМ СОЕДИНЕНИЕМ
- WRZĘCIONA Z TERMICZNYM POŁĄCZENIEM KLINOWYM
- ULOŽENÍ LISOVANÉ ZA TEPLA
- SIKI GEÇME MANDRENLERİ

DIN 69871 AD+B40

CT

0.003

RPM 25.000

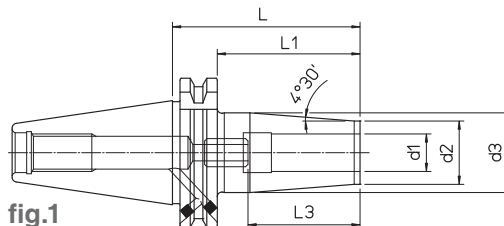


fig.1

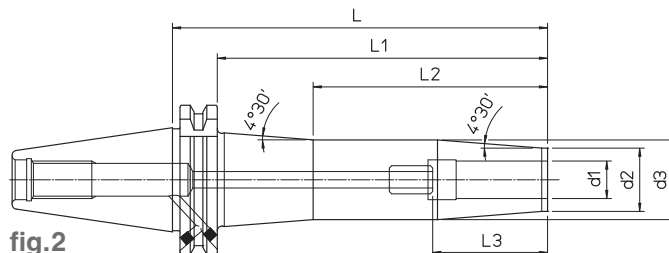


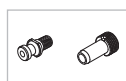
fig.2

DIN	REF.	CODE	d1	d2	d3	L	L1	L2	L3	kg	fig.
40	DIN69871-AD+B40 CT03.80	71DIN-B40CT0308	3	10	-	80	61	-	9	0.8	1
	DIN69871-AD+B40 CT04.80	71DIN-B40CT0408	4						12		
	DIN69871-AD+B40 CT05.80	71DIN-B40CT0508	5						15		
	DIN69871-AD+B40 CT06.80	71DIN-B40CT0608	6	21	27	120	101	-	22 / 36	1	1
	DIN69871-AD+B40 CT06.120	71DIN-B40CT0612								1.2	
	DIN69871-AD+B40 CT06.160	71DIN-B40CT0616								1.6	
	DIN69871-AD+B40 CT06.200	71DIN-B40CT0620	8	21	27	200	181	110	26 / 36	1.6	2
	DIN69871-AD+B40 CT08.80	71DIN-B40CT0808								0.8	
	DIN69871-AD+B40 CT08.120	71DIN-B40CT0812								1	
	DIN69871-AD+B40 CT08.160	71DIN-B40CT0816	1.2								
	DIN69871-AD+B40 CT08.200	71DIN-B40CT0820	1.6								
	DIN69871-AD+B40 CT10.80	71DIN-B40CT1008	10	24	32	80	61	-	31 / 41	0.9	1
	DIN69871-AD+B40 CT10.120	71DIN-B40CT1012								1.1	
	DIN69871-AD+B40 CT10.160	71DIN-B40CT1016								1.4	
	DIN69871-AD+B40 CT10.200	71DIN-B40CT1020	12	24	32	200	181	125	36 / 46	1.8	2
	DIN69871-AD+B40 CT12.80	71DIN-B40CT1208								0.9	
	DIN69871-AD+B40 CT12.120	71DIN-B40CT1212								1.1	
	DIN69871-AD+B40 CT12.160	71DIN-B40CT1216	1.3								
	DIN69871-AD+B40 CT12.200	71DIN-B40CT1220	1.8								
	DIN69871-AD+B40 CT14.80	71DIN-B40CT1408	14	27	34	80	61	-	36 / 46	0.9	1
	DIN69871-AD+B40 CT14.120	71DIN-B40CT1412								1.1	
	DIN69871-AD+B40 CT14.160	71DIN-B40CT1416								1.4	
	DIN69871-AD+B40 CT16.80	71DIN-B40CT1608	16	27	34	120	101	-	39 / 49	0.9	1
	DIN69871-AD+B40 CT16.120	71DIN-B40CT1612								1.1	
DIN69871-AD+B40 CT16.160	71DIN-B40CT1616	1.4									
DIN69871-AD+B40 CT16.200	71DIN-B40CT1620	18	27	34	200	181	125	41 / 51	1.9	2	
DIN69871-AD+B40 CT18.80	71DIN-B40CT1808								0.9		
DIN69871-AD+B40 CT18.120	71DIN-B40CT1812								1.1		
DIN69871-AD+B40 CT18.160	71DIN-B40CT1816	1.4									
DIN69871-AD+B40 CT20.80	71DIN-B40CT2008	20	33	42	80	61	-	41 / 51	1.3	1	
DIN69871-AD+B40 CT20.120	71DIN-B40CT2012								1.4		
DIN69871-AD+B40 CT20.160	71DIN-B40CT2016								1.8		
DIN69871-AD+B40 CT20.200	71DIN-B40CT2020	25	44	53	200	181	125	47 / 57	2.4	2	
DIN69871-AD+B40 CT25.100	71DIN-B40CT2510								1.8		

249

240

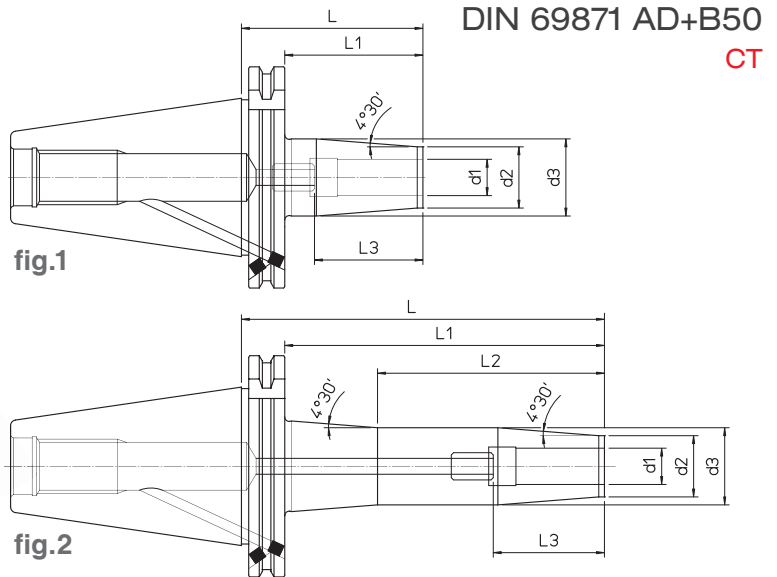
223



- SHRINK FIT CHUCKS
- ШПИНДЕЛИ С ТЕРМИЧЕСКИМ КЛИНОВЫМ СОЕДИНЕНИЕМ
- WRZĘCIONA Z TERMICZNYM POŁĄCZENIEM KLINOWYM
- ULOŽENÍ LISOVANÉ ZA TEPLA
- SIKI GEÇME MANDRENLERİ

0.003

RPM 12.000



DIN 69871 AD+B50

CT

DIN	REF.	CODE	d1	d2	d3	L	L1	L2	L3	kg	fig.
50	DIN69871-AD+B50 CT06.80	71DIN-B50CT0608	6	21	27	80	61	-	22 / 36	2.2	1
	DIN69871-AD+B50 CT06.120	71DIN-B50CT0612				120	101	-		2.4	
	DIN69871-AD+B50 CT06.160	71DIN-B50CT0616				160	141	100		2.5	
	DIN69871-AD+B50 CT06.200	71DIN-B50CT0620				200	181	110		3.4	
	DIN69871-AD+B50 CT08.80	71DIN-B50CT0808	8	21	27	80	61	-	26 / 36	2.2	1
	DIN69871-AD+B50 CT08.120	71DIN-B50CT0812				120	101	-		2.4	
	DIN69871-AD+B50 CT08.160	71DIN-B50CT0816				160	141	100		2.5	
	DIN69871-AD+B50 CT08.200	71DIN-B50CT0820				200	181	110		3.4	
	DIN69871-AD+B50 CT10.80	71DIN-B50CT1008	10	24	32	80	61	-	31 / 41	2.3	1
	DIN69871-AD+B50 CT10.120	71DIN-B50CT1012				120	101	-		2.5	
	DIN69871-AD+B50 CT10.160	71DIN-B50CT1016				160	141	100		2.7	
	DIN69871-AD+B50 CT10.200	71DIN-B50CT1020				200	181	125		3.6	
	DIN69871-AD+B50 CT12.80	71DIN-B50CT1208	12	24	32	80	61	-	36 / 46	2.3	1
	DIN69871-AD+B50 CT12.120	71DIN-B50CT1212				120	101	-		2.5	
	DIN69871-AD+B50 CT12.160	71DIN-B50CT1216				160	141	100		2.7	
	DIN69871-AD+B50 CT12.200	71DIN-B50CT1220				200	181	125		3.6	
	DIN69871-AD+B50 CT14.80	71DIN-B50CT1408	14	27	34	80	61	-	36 / 46	2.3	1
	DIN69871-AD+B50 CT14.120	71DIN-B50CT1412				120	101	-		2.5	
	DIN69871-AD+B50 CT14.160	71DIN-B50CT1416				160	141	100		2.8	
	DIN69871-AD+B50 CT16.80	71DIN-B50CT1608				80	61	-		39 / 49	
	DIN69871-AD+B50 CT16.120	71DIN-B50CT1612	120	101	-	2.5					
	DIN69871-AD+B50 CT16.160	71DIN-B50CT1616	160	141	100	2.8					
	DIN69871-AD+B50 CT16.200	71DIN-B50CT1620	200	181	125	3.7					
	DIN69871-AD+B50 CT18.80	71DIN-B50CT1808	18	33	42	80	61	-	39 / 49	2.5	1
DIN69871-AD+B50 CT18.120	71DIN-B50CT1812	120				101	-	2.8			
DIN69871-AD+B50 CT18.160	71DIN-B50CT1816	160				141	100	3.1			
DIN69871-AD+B50 CT20.80	71DIN-B50CT2008	20	33	42	80	61	-	41 / 51	2.5	1	
DIN69871-AD+B50 CT20.120	71DIN-B50CT2012				120	101	-		2.8		
DIN69871-AD+B50 CT20.160	71DIN-B50CT2016				160	141	100		3.1		
DIN69871-AD+B50 CT20.200	71DIN-B50CT2020				200	181	125		4.2		
DIN69871-AD+B50 CT25.120	71DIN-B50CT2512	25	44	53	120	101	-	47 / 57	3.1	1	
DIN69871-AD+B50 CT25.160	71DIN-B50CT2516				160	141	100		2.8		
DIN69871-AD+B50 CT25.200	71DIN-B50CT2520				200	181	125		5.2		
DIN69871-AD+B50 CT32.120	71DIN-B50CT3212	32	44	53	120	101	-	51 / 61	2.9	1	
DIN69871-AD+B50 CT32.160	71DIN-B50CT3216				160	141	100		3.5		

223

240

249

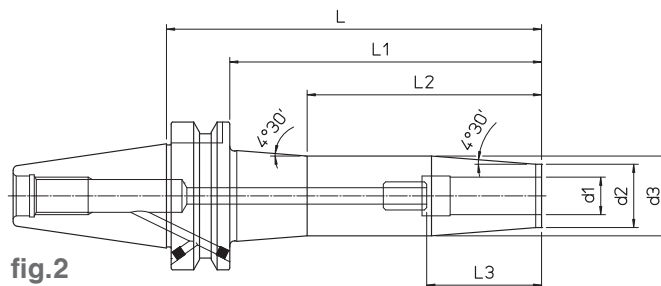
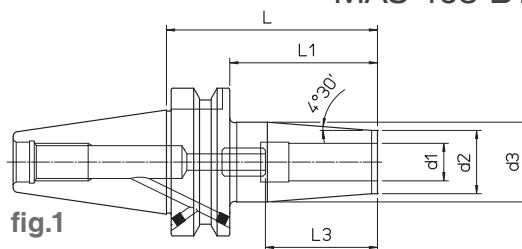


- SHRINK FIT CHUCKS
- ШПИНДЕЛИ С ТЕРМИЧЕСКИМ КЛИНОВЫМ СОЕДИНЕНИЕМ
- WRZĘCIONA Z TERMICZNYM POŁĄCZENIEM KLINOWYM
- ULOŽENÍ LISOVANÉ ZA TEPLA
- SIKI GEÇME MANDRENLERİ

MAS 403 BT40 AD+B CT

0.003

RPM 25.000



BT	REF.	CODE	d1	d2	d3	L	L1	L2	L3	kg	fig.	
40	MAS403 BT40-AD+B CT03.90	71MBT-B40CT0309	3	10	-	90	63	-	9	1	1	
	MAS403 BT40-AD+B CT04.90	71MBT-B40CT0409	4						12			
	MAS403 BT40-AD+B CT05.90	71MBT-B40CT0509	5						15			
	MAS403 BT40-AD+B CT06.90	71MBT-B40CT0609	6	21	27	120	93	-	22 / 36	0.8	1	
	MAS403 BT40-AD+B CT06.120	71MBT-B40CT0612								1		
	MAS403 BT40-AD+B CT06.160	71MBT-B40CT0616								1.2		
	MAS403 BT40-AD+B CT06.200	71MBT-B40CT0620	1.7	2								
	MAS403 BT40-AD+B CT08.90	71MBT-B40CT0809	8		21	27	90	63	-	26 / 36	0.8	1
	MAS403 BT40-AD+B CT08.120	71MBT-B40CT0812									1	
	MAS403 BT40-AD+B CT08.160	71MBT-B40CT0816		1.2								
	MAS403 BT40-AD+B CT08.200	71MBT-B40CT0820	1.7	2								
	MAS403 BT40-AD+B CT10.90	71MBT-B40CT1009	10		24	32	90	63	-	31 / 41	0.9	1
	MAS403 BT40-AD+B CT10.120	71MBT-B40CT1012									1.1	
	MAS403 BT40-AD+B CT10.160	71MBT-B40CT1016		1.4								
	MAS403 BT40-AD+B CT10.200	71MBT-B40CT1020	1.9	2								
	MAS403 BT40-AD+B CT12.90	71MBT-B40CT1209	12		24	32	90	63	-	36 / 46	0.9	1
	MAS403 BT40-AD+B CT12.120	71MBT-B40CT1212									1.1	
	MAS403 BT40-AD+B CT12.160	71MBT-B40CT1216		1.3								
	MAS403 BT40-AD+B CT12.200	71MBT-B40CT1220	1.9	2								
	MAS403 BT40-AD+B CT14.90	71MBT-B40CT1409	14		27	34	90	63	-	31 / 41	0.9	1
	MAS403 BT40-AD+B CT14.120	71MBT-B40CT1412									1.1	
	MAS403 BT40-AD+B CT14.160	71MBT-B40CT1416		1.4								
	MAS403 BT40-AD+B CT16.90	71MBT-B40CT1609	16	27	34	90	63	-	39 / 49	0.9	1	
	MAS403 BT40-AD+B CT16.120	71MBT-B40CT1612								1.1		
	MAS403 BT40-AD+B CT16.160	71MBT-B40CT1616								1.4		
	MAS403 BT40-AD+B CT16.200	71MBT-B40CT1620	2	2								
	MAS403 BT40-AD+B CT18.90	71MBT-B40CT1809	18		33	42	90	63	-	39 / 49	1.1	1
	MAS403 BT40-AD+B CT18.120	71MBT-B40CT1812									1.4	
	MAS403 BT40-AD+B CT18.160	71MBT-B40CT1816		1.8								
	MAS403 BT40-AD+B CT20.90	71MBT-B40CT2009	20	33	42	90	63	-	41 / 51	1.4	1	
MAS403 BT40-AD+B CT20.120	71MBT-B40CT2012	1.3										
MAS403 BT40-AD+B CT20.160	71MBT-B40CT2016	1.8										
MAS403 BT40-AD+B CT20.200	71MBT-B40CT2020	2.4	2									
MAS403 BT40-AD+B CT25.100	71MBT-B40CT2510	25		44	53	100	73	-	47 / 57	1.8	1	

249

240

223



- SHRINK FIT CHUCKS
- ШПИНДЕЛИ С ТЕРМИЧЕСКИМ КЛИНОВЫМ СОЕДИНЕНИЕМ
- WRZĘCIONA Z TERMICZNYM POŁĄCZENIEM KLINOWYM
- ULOŽENÍ LISOVANÉ ZA TEPLA
- SIKI GEÇME MANDRENLERİ

MAS 403 BT50 AD+B

CT

0.003

RPM 12.000

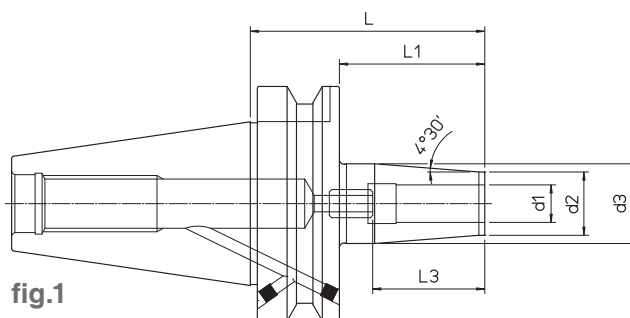


fig.1

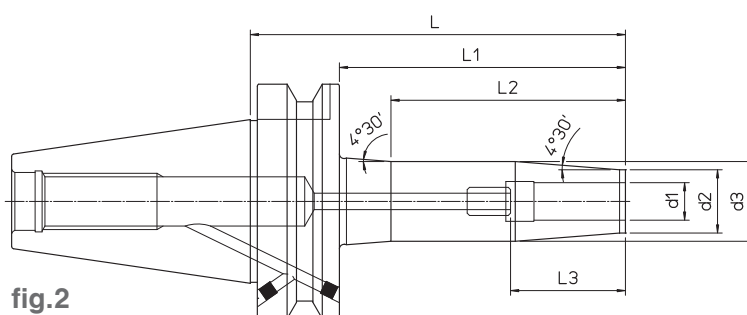


fig.2

219

BT	REF.	CODE	d1	d2	d3	L	L1	L2	L3	kg	fig.
50	MAS403 BT50-AD+B CT06.100	71MBT-B50CT0610	6	21	27	100	62	-	22 / 36	2.2	1
	MAS403 BT50-AD+B CT06.160	71MBT-B50CT0616				160	122	100		2.5	2
	MAS403 BT50-AD+B CT06.200	71MBT-B50CT0620				200	162	110		4.2	2
	MAS403 BT50-AD+B CT08.100	71MBT-B50CT0810	100			62	-	26 / 36	2.2	1	
	MAS403 BT50-AD+B CT08.160	71MBT-B50CT0816	160			122	100		2.5	2	
	MAS403 BT50-AD+B CT08.200	71MBT-B50CT0820	200			162	110		4.2	2	
	MAS403 BT50-AD+B CT10.100	71MBT-B50CT1010	100	62	-	31 / 41	2.3	1			
	MAS403 BT50-AD+B CT10.160	71MBT-B50CT1016	160	122	100		2.7	2			
	MAS403 BT50-AD+B CT10.200	71MBT-B50CT1020	200	162	125		4.4	2			
	MAS403 BT50-AD+B CT12.100	71MBT-B50CT1210	100	62	-	36 / 46	2.3	1			
	MAS403 BT50-AD+B CT12.160	71MBT-B50CT1216	160	122	100		2.7	2			
	MAS403 BT50-AD+B CT12.200	71MBT-B50CT1220	200	162	125		4.4	2			
	MAS403 BT50-AD+B CT14.100	71MBT-B50CT1410	100	62	-	36 / 46	2.3	1			
	MAS403 BT50-AD+B CT14.160	71MBT-B50CT1416	160	122	100		2.8	2			
	MAS403 BT50-AD+B CT16.100	71MBT-B50CT1610	100	62	-		39 / 49	2.3	1		
	MAS403 BT50-AD+B CT16.160	71MBT-B50CT1616	160	122	100	2.8		2			
	MAS403 BT50-AD+B CT16.200	71MBT-B50CT1620	200	162	125	4.5		2			
	MAS403 BT50-AD+B CT18.100	71MBT-B50CT1810	100	62	-	39 / 49	2.5	1			
	MAS403 BT50-AD+B CT18.160	71MBT-B50CT1816	160	122	100		3.1	2			
	MAS403 BT50-AD+B CT20.120	71MBT-B50CT2012	120	82	-		41 / 51	2.8	1		
MAS403 BT50-AD+B CT20.160	71MBT-B50CT2016	160	122	100	3.1	2					
MAS403 BT50-AD+B CT20.200	71MBT-B50CT2020	200	162	125	4.9	2					
MAS403 BT50-AD+B CT25.120	71MBT-B50CT2512	120	82	-	47 / 57	3.1	1				
MAS403 BT50-AD+B CT25.160	71MBT-B50CT2516	160	122	100		3.8	2				
MAS403 BT50-AD+B CT25.200	71MBT-B50CT2520	200	162	125		5.8	2				
MAS403 BT50-AD+B CT32.120	71MBT-B50CT3212	120	82	-	51 / 61	2.9	1				
MAS403 BT50-AD+B CT32.160	71MBT-B50CT3216	160	122	100		3.5	2				

223

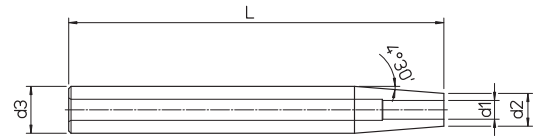
240

249



- SHRINK FIT EXTENSIONS
- УДЛИНИТЕЛИ С ТЕРМИЧЕСКИМ КЛИНОВЫМ СОЕДИНЕНИЕМ
- PRZEŁUŻACZE O TERMICZNYM POŁĄCZENIU KLINOWYM
- PRODLOUŽENÍ ULOŽENÍ LISOVANÝCH ZA TEPLA
- SIKI GEÇME UZATMALARI

PR CT N



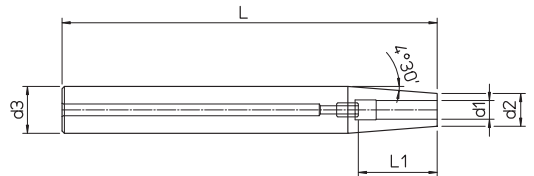
220

REF.	CODE	d1	d2	d3	L	kg
PR.CT.N D12.03.160	49DC11612030	3	8	12	160	0.09
PR.CT.N D12.04.160	49DC11612040	4				
PR.CT.N D16.03.160	49DC11616030	3	10	16		0.14
PR.CT.N D16.04.160	49DC11616040	4				
PR.CT.N D16.05.160	49DC11616050	5	12	16		0.15
PR.CT.N D16.06.160	49DC11616060	6				
PR.CT.N D16.08.160	49DC11616080	8	14	20		0.16
PR.CT.N D20.05.160	49DC11620050	5				
PR.CT.N D20.06.160	49DC11620060	6	16	20		0.27
PR.CT.N D20.08.160	49DC11620080	8				
PR.CT.N D20.10.160	49DC11620100	10	18	20		0.26
PR.CT.N D20.12.160	49DC11620120	12				



- SHRINK FIT EXTENSIONS WITH AXIAL ADJUSTMENT
- УДЛИНИТЕЛИ С ТЕРМИЧЕСКИМ КЛИНОВЫМ СОЕДИНЕНИЕМ С ОСЕВОЙ РЕГУЛИРОВКОЙ
- PRZEDŁUŻACZE O TERMICZNYM POŁĄCZENIU KLINOWYM Z REGULACJĄ OSIOWĄ
- PRODLUŽENÍ ULOŽENÍ LISOVANÝCH ZA TEPLA S AXIÁLNÍ ÚPRAVOU
- EKSENEL AYARLI SIKI GEÇME UZATMALARI

PR CT R



221

REF.	CODE	d1	d2	d3	L	L1	kg		
PR.CT.R D16.06.130	49DC21316060	6	10	16	130	22 / 36	0.18		
PR.CT.R D16.06.160	49DC21616060				160		0.17		
PR.CT.R D20.06.130	49DC21320060				130		0.20		
PR.CT.R D20.08.130	49DC21320080	8	14	20	130	22 / 32	0.25		
PR.CT.R D20.06.160	49DC21620060	6					0.33		
PR.CT.R D20.08.160	49DC21620080	8					0.32		
PR.CT.R D25.10.130	49DC21325100	10	20	25	130	31 / 41	0.40		
PR.CT.R D25.12.130	49DC21325120	12					0.37		
PR.CT.R D25.16.130	49DC21325160	16					0.32		
PR.CT.R D25.08.160	49DC21625080	8	19	20	160	26 / 36	0.53		
PR.CT.R D25.10.160	49DC21625100	10					0.51		
PR.CT.R D25.12.160	49DC21625120	12					0.48		
PR.CT.R D25.14.160	49DC21625140	14	22	25	160	36 / 46	0.47		
PR.CT.R D25.16.160	49DC21625160	16					0.43		
PR.CT.R D25.08.200	49DC22025080	8					19	200	26 / 36
PR.CT.R D25.10.200	49DC22025100	10	20	31 / 41	0.64				
PR.CT.R D25.12.200	49DC22025120	12		36 / 46	0.60				
PR.CT.R D25.16.200	49DC22025160	16	22	27	32	39 / 49	0.52		
PR.CT.R D32.16.160	49DC21632160	18	20				160	39 / 49	0.78
PR.CT.R D32.18.160	49DC21632180							0.77	
PR.CT.R D32.20.160	49DC21632200			20	41 / 51	0.67			
PR.CT.R D32.16.200	49DC22032160	16	20	200	39 / 49	1.81			
PR.CT.R D32.20.200	49DC22032200	20				41 / 51	0.87		



- SEALING DEVICE FOR HIGH PRESSURE COOLANT SUPPLY
- УПЛОТНИТЕЛЬНОЕ УСТРОЙСТВО ДЛЯ ХЛАДАГЕНТА ПОД ВЫСОКИМ ДАВЛЕНИЕМ
- URZĄDZENIA USZCZELNIAJĄCE CIĘCZ CHŁODZĄCĄ POD WYSOKIM CIŚNIENIEM
- TĚSNIČÍ ZAŘÍZENÍ PRO PŘÍVOD VYSOKOTLAKÉHO CHLADIVA
- YÜKSEK BASINÇLI SOĞUTMA SIVISI BESLEMESİ İÇİN SIZDIRMAZLIK ELEMANI

FORCE GH - VT

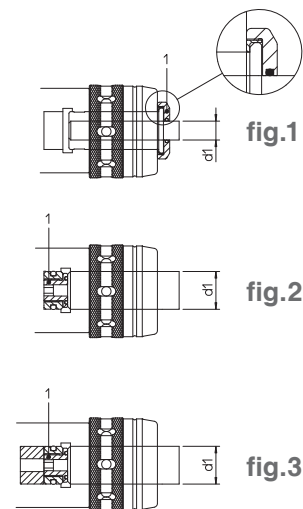
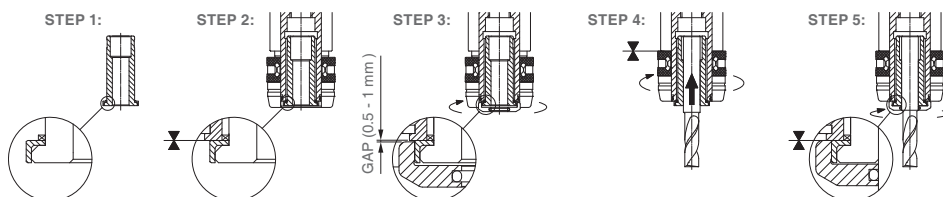


fig.	REF.	CODE1	d1
1	GH 20 MONOforce 20 HSK63 MHD'50 / DIN/BT-40-50 PSC 63 - 80	382042020061	6
		382042020081	8
		382042020101	10
		382042020121	12
		382042020141	14
		382042020161	16
2	VT 20.20 MONOforce 20 DIN/BT-40-50 HSK63-100 PSC 63-80	382042020201	20
1	GH 32 MONOforce 32 DIN/BT-40-50 / HSK63-100 MHD'63 PSC 63-80	382042032061	6
		382042032081	8
		382042032101	10
		382042032121	12
		382042032141	14
		382042032161	16
		382042032181	18
		382042032201	20
		382042032251	25
		2	VT 32.32 MONOforce 32 DIN/BT-40 HSK63-100 PSC 63-80
3	VT 32.32.100 MONOforce 32 DIN/BT-50	382042032322	32



- SETTING SCREW FOR INTERNAL COOLANT SUPPLY
- ЗАЖИМНЫЕ ВИНТЫ ПРОХОДА ХЛАДАГЕНТА
- ŚRUBA REGULUJĄCA PRZEPLÝW CIĘCZY CHŁODZĄCEJ
- NASTAVOVACÍ ŠROUB PRO INTERNÍ PŘÍVOD CHLADIVA
- DAHILI SOĞUTMA SIVISI BESLEMESİ İÇİN AYAR VIDASI

FORCE VCR

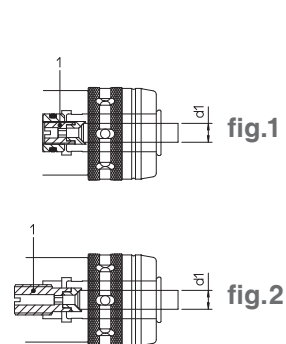
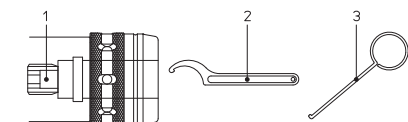


fig.	REF.	CODE 1	d1
1	VCR 20 MONOforce 20 HSK63-100 MHD'50 PSC 63-80	382041020032	3 ~ 5
		382041020062	6 ~ 12
		382041020142	14 ~ 20
1	VCR 32 MONOforce 32 HSK63-100 MHD'63 PSC 63-80	382041032033	3 ~ 5
		382041032063	6 ~ 12
		382041032143	14 ~ 20
		382041032253	25 ~ 32
		382041020031	3 ~ 5
2	VCR 20 MONOforce 20 DIN/BT-40-50	382041020061	6 ~ 12
		382041020141	14 ~ 20
		382041032031	3 ~ 5
2	VCR 32 MONOforce 32 DIN/BT-40	382041032061	6 ~ 12
		382041032141	14 ~ 20
		382041032251	25 ~ 32
		382041032032	3 ~ 5
2	VCR 32 MONOforce 32 DIN/BT-50	382041032062	6 ~ 12
		382041032142	14 ~ 20
		382041032252	25 ~ 32
		382041032075	25 ~ 32



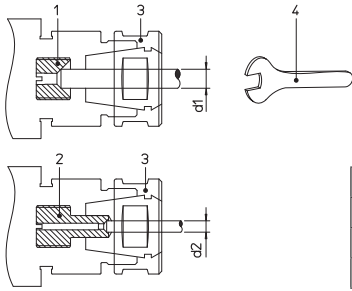
REF.	CODE 1	CODE 2	CODE 3
FORCE 12	200100191014	101500400028	201271600400
FORCE 20	200100191615	101500400050	
FORCE 32		101500400075	

FORCE



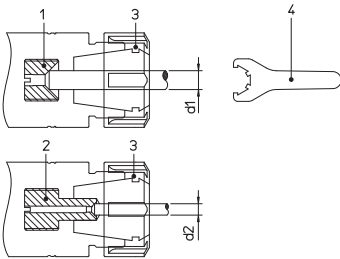
- ACCESSORIES AND SPARE PARTS
- ЗАПЧАСТИ И КОМПЛЕКТУЮЩИЕ
- WYPOSAŻENIE DODATKOWE I CZĘŚCI ZAMIENNE
- PŘÍSLUŠENSTVÍ A NÁHRADNÍ DÍLY
- AKSESUARLAR VE YEDEK PARÇALAR

TOPRUN - ER



REF.	CODE 1	d1	CODE 2	d2	CODE 3	CODE 4
ER 16	201082010001	5 ~ 10	201082010002	1 ~ 4	201041910001	201271502200
ER 25	201082018001	8 ~ 16	201082018002	2 ~ 7	201043010002	201271503400
ER 32	201082022001	8 ~ 20	201082022002	3 ~ 7	201044015001	201271504500

MONOd' - ER



REF.	CODE 1	d1	CODE 2	d2	CODE 3	CODE 4
ER 16 M	201082010001	5 ~ 10	201082010002	1 ~ 4	100451011600	101501001600
ER 25	201082018001	8 ~ 16	201082018002	2 ~ 7	100451032500	101501002501
ER 32	201082022001	8 ~ 20	201082022002	3 ~ 7	100451033200	101501003201
ER 40	201082028001	9 ~ 26	201082028002	4 ~ 8	100451034000	101501004001

MONOd' - WD

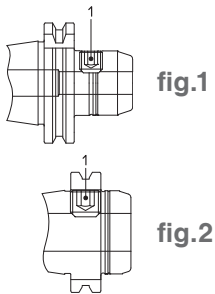
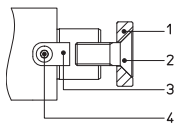


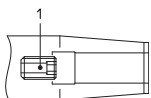
fig.	REF.	CODE 1	fig.	REF.	CODE 1
1	WD 06	200100190610	1	WD 20	200100191616
	WD 08	200100190810	2		200100191613
	WD 10	200100191010	1	WD 25	200100191820
	WD 12	200100191212	2		200100191821
	WD 14		200100191414	1	WD 32
	WD 16				
WD 18					

MONOd' - PF



REF.	CODE 1	CODE 2	CODE 3	CODE 4
PF 16	201010085010	100101080025	201101800801	100051030008
PF 22	201010105030	100101100025	201101801002	100051040010
PF 27	201010125030	100101120030	201101801202	100051050012
PF 32	201010165020	100101160035	201101801402	100051060016

MONOd' CT



REF.	CODE 1	REF.	CODE 1
CT 06	200100190520	CT 16	200100191221
CT 08	200100190620	CT 18	
CT 10	200100190820	CT 20	200100191620
CT 12	200100191018	CT 25	
CT 14		CT 32	

D'ANDREA

MCD' HSK-PSC

- INDEX
- СОДЕРЖАНИЕ
- SPIS TREŚCI
- REJSTRÍK
- DİZİN

HSK

PSC



p. 226



p. 230



p. 227



p. 231



p. 228



p. 232



p. 228



p. 232



p. 229



p. 233



p. 229



p. 233



p. 229



p. 233

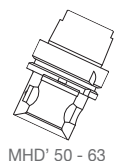


p. 234

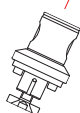


224

Turning operations



MHD' 50 - 63



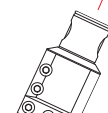
MHD' PF



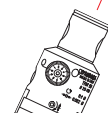
MHD' WD



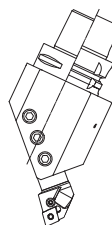
MHD' ER



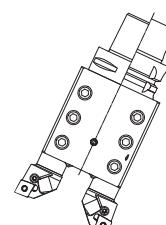
MHD' TU



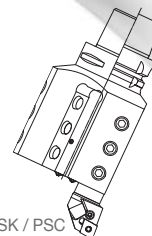
MHD' TRM



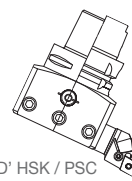
MCD' HSK / PSC
TU 25.45 R/L



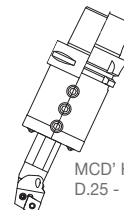
MCD' HSK / PSC
TU 25.02 N



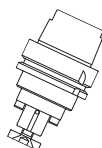
MCD' HSK / PSC
TU 25.03



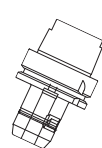
MCD' HSK / PSC
TU 25.90



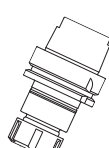
MCD' HSK / PSC
D.25 - D.40



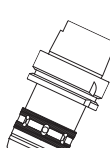
MONOd' PF



MONOd' WD

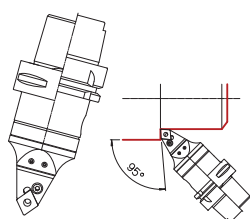


MONOd' ER

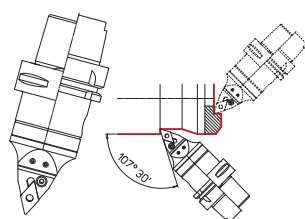


MONOforce 12 - 20 - 32

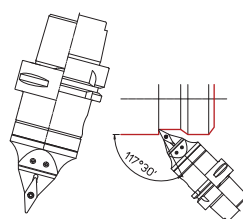




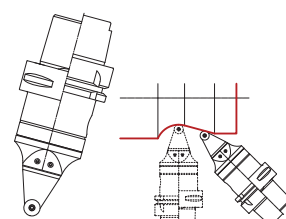
MCD' HSK / PSC
PCMNN



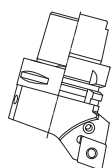
MCD' HSK / PSC
PDNNN



MCD' HSK / PSC
SVVBN



MCD' HSK / PSC
SRDCN



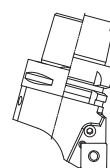
MCD' HSK / PSC
PCLNR/L



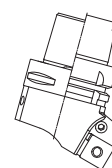
MCD' HSK / PSC
PDJNR/L



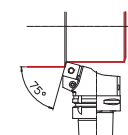
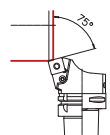
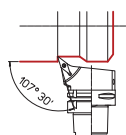
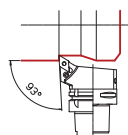
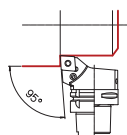
MCD' HSK / PSC
SVHBR/L



MCD' HSK / PSC
PSKNR/L



MCD' HSK / PSC
PSRRR/L



- TURNING TOOLS
- ТОКАРНЫЕ РЕЗЦЫ
- NARZĘDZIA TOKARSKIE
- NÁSTROJE NA SOUSTRUŽENÍ
- TORNA AYNASI TAKIMLARI

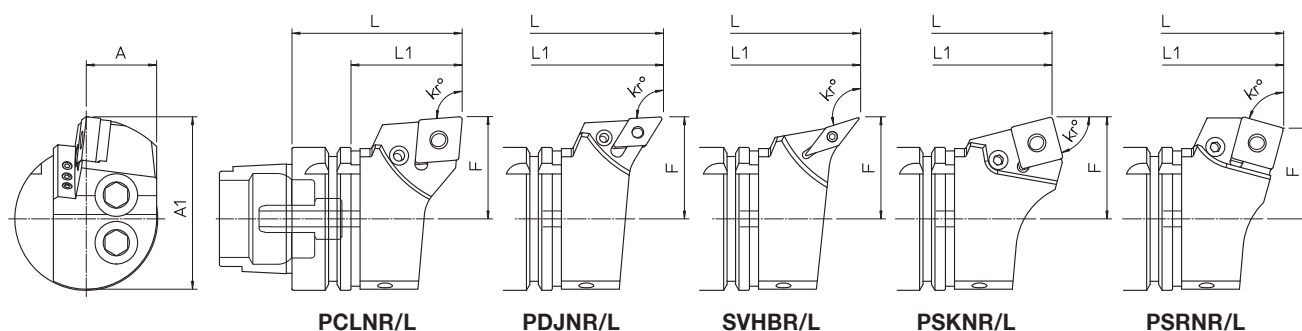
GB MCD' is the line of tools and tool holders for lathes, built according to ISO 26623-1 PSC and HSK-T63 standards with recommended DIN 69893-T, ICTM constructive tolerances (ISO 12164-3) for the application on spindles of MULTI-TASK machinery. The MCD' program is produced in modular version, and is composed of toolholders with HSK coupling module and interchangeable bit holders. The range includes toolholders which permit the mounting of tools for internal, external, cutting and threading of the various standard programs on the market. **All Tool Holders are equipped with the passage of the coolant with standard pressure of MAX 40 BAR.**

RU MCD' – линия резов и держателей для токарных станков, создаваемых в соответствии со стандартами ISO 26623-1 PSC и HSK-T63 с допускami ICTM (ISO 12164-3) рекомендованные для применения на шпинделях станков MULTI-TASK. Программа MCD' производится в модульном исполнении и состоит из держателя с креплением HSK и сменного модуля держателя. Сюда входят держатели, позволяющие закреплять инструменты для внутреннего и наружного точения, резки, а также для нарезания резьбы согласно различным стандартным программам, существующим на рынке. **Все резцедержатели оборудованы каналом для смазочно-охлаждающей жидкости со стандартным давлением МАКС. 40 БАР.**

PL MCD' jest linią narzędzi i opravek narzędziowych przeznaczonych na urządzenia typu MULTI-TASK, z częścią chwytową zgodną z normami ISO 26623-1 PSC i HSK-T63. Oprawki są zgodne konstrukcyjnie i posiadające tolerancje ICTM (ISO 12164-3). MCD' jest produkowany jako narzędzie modułowe składające się z typoszeregu imaków posiadających uchwyt HSK oraz wymiennych, pasujących do nich końcówek skrawających. System posiada kompletną gamę opravek przeznaczonych do mocowania narzędzi do obróbek wewnętrznych, zewnętrznych, przecinania i wykonywania gwintów zgodną z różnymi, istniejącymi na rynku, standardami. **Wszystkie imaki nożowe wyposażone są w smarowy płyn chłodzący o ciśnieniu standardowym MAX 40 BAR.**

CZ MCD' je řada nástrojů a nástrojových držáků pro soustruhy navržených podle norem ISO 26623-1 PSC a HSK-T63 s doporučenými konstrukčními tolerancemi ICTM (ISO 12164-3) pro použití na vřetenech strojů MULTI-TASK. Program MCD' se vyrábí v modulární verzi a skládá se z nástrojových držáků se spojkovým modulem HSK a zaměnitelnými hrotovými držáky. Řada zahrnuje nástrojové držáky umožňující montáž nástrojů pro vnitřní plochy, vnější plochy, frézování a řezání závitů v rámci různých standardních programů na trhu. **Všechny držáky nástrojů jsou vybaveny průchodem chladiva se standardním tlakem MAX. 40 BAR.**

TB MCD', ISO 26623-1 PSC ve HSK-T63 standartlarına uygun olarak önerilen ICTM yapı toleranslarıyla (ISO 12164-3) üretilmiş, ÇOKLU GÖREV makinelerinin millerindeki uygulamalar için kullanılan takım ve takım tutucu setlerinin ürün ailesidir. MCD' programı modüler versiyonda üretilmiştir ve HSK kaplin modüllü takım tutuculardan ve birbirine değiştirilebilen kovanlardan oluşur. Ürün yelpazesi, piyasadaki çeşitli standart programların iç, dış, kesme ve dış açma işleri için farklı takımların monte edilmesine imkan tanır. **Tüm Takım Tutucuları, içindeki soğutma sıvısının standart basıncı MAX 40 BAR olan geçiş ile donatılmıştır.**



- Supplied with coolant tube
- Содержит соединение для хладагента
- Wyposażona w złączkę do cieczy chłodzącej
- Dodávané s chladicím potrubím
- Soğutma sıvısı borusuyla tedarik edilir

- Available on request HP = High Pressure **Max 80 BAR**
- Поставляются по заказу HP = высокое давление **Max 80 BAR**
- Dostarczane na zamówienie HP = wysokie ciśnienie **Max 80 BAR**
- Dodávané na objednávku HP = vysoký tlak **Max 80 BAR**
- Talebe göre HP = .Yüksek Basıncı olarak da mevcuttur **Max 80 BAR**

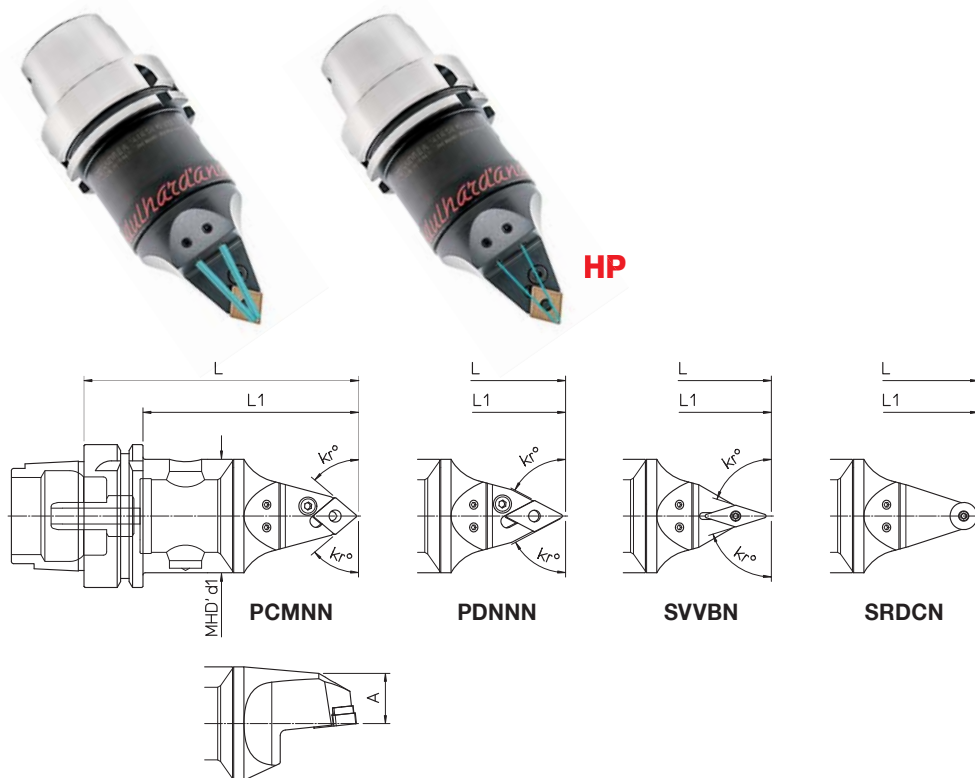
HSK-T	REF.	CODE	A	A ₁	F	L	L ₁	K _r ¹⁾	γ ²⁾	λ ³⁾		kg		
63	MCD'HSK-T63 PCLNR 45075-19	6H06PCLNR40719N	31	76	45	75	49	95°	6°	6°		1.3		
	MCD'HSK-T63 PCLNL 45075-19	6H06PCLNL40719N						93°					6°	6°
	MCD'HSK-T63 PDJNR 45075-15	6H06PDJNR40715N							107° 30'	0°	0°			
	MCD'HSK-T63 PDJNL 45075-15	6H06PDJNL40715N												
	MCD'HSK-T63 SVHBR 45075-16	6H06SVHBR40716N												
	MCD'HSK-T63 SVHBL 45075-16	6H06SVHBL40716N						73	47	75°	6°		6°	
	MCD'HSK-T63 PSKNR 45073-19	6H06PSKNR40719N												
	MCD'HSK-T63 PSKNL 45073-19	6H06PSKNL40719N												
	MCD'HSK-T63 PSRNR 40075-19	6H06PSRNR40719N						71	40	75	49		75°	6°
MCD'HSK-T63 PSRNL 40075-19	6H06PSRNL40719N													

- Right hand bit-holders shown: 1) Side cutting edge angle. 2) True rake angle. 3) Cutting edge inclination
- На рисунке правые модули. 1) Угол записи. 2) Передний угол. 3) Угол наклона
- Na rysunku końcówki prawe: 1) Kąt nastawczy. 2) Górny kąt natarcia. 3) Kąt nachylenia
- Zobrazené pravé hrotové držáky: 1) Úhel řezné hrany. 2) Skutečný úhel sklonu. 3) Sklon řezné hrany
- Sağdan kullanımlı kovanlar gösterilmiştir: 1) Yan kesme kenarı açısı. 2) Gerçek meyil açısı. 3) Kesme kenarı eğimi



- TURNING TOOLS
- ТОКАРНЫЕ РЕЗЦЫ
- NARZĘDZIA TOKARSKIE
- NÁSTROJE NA SOUSTRUŽENÍ
- TORNA AYNASI TAKIMLARI

DIN 69893
MCD' HSK-T63



227

- Supplied with coolant tube
- Содержит соединение для хладагента
- Wyposażona w złączkę do cieczy chłodzącej
- Dodávané s chladičím potrubím
- Soğutma sıvısı borusuyla tedarik edilir

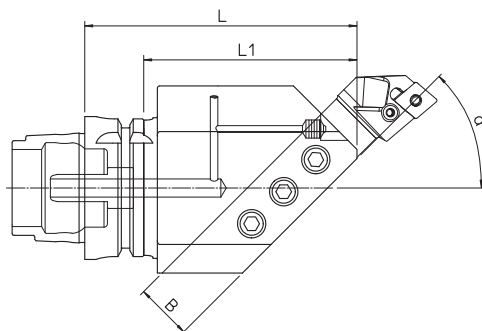
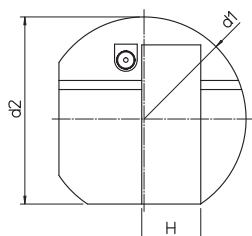
- Available on request HP = High Pressure **Max 80 BAR**
- Поставляются по заказу HP = высокое давление **Max 80 BAR**
- Dostarczane na zamówienie HP = wysokie ciśnienie **Max 80 BAR**
- Dodávané na objednávku HP = vysoký tlak **Max 80 BAR**
- Talebe göre HP = .Yüksek Basıncılı olarak da mevcuttur **Max 80 BAR**

HSK-T	REF.	CODE	MHD'd ₁	A	L	L ₁	K _r ¹⁾	γ ²⁾	λ ³⁾		kg
63	MCD' HSK-T63 PCMNN 00121-12	6H06PCMNN01212N	50	22	121	95	50°	6°	0°		1.4
	MCD' HSK-T63 PDNNN 00121-15	6H06PDNNN01215N					62° 30'				
	MCD' HSK-T63 SVVBN 00121-16	6H06SVVBN01216N					72° 30'				
	MCD' HSK-T63 SRDCN 00121-12	6H06SRDCN01212N					-				

- 1) Side cutting edge angle. 2) True rake angle. 3) Cutting edge inclination
- 1) Угол записи. 2) Передний угол. 3) Угол наклона
- 1) Kąt nastawczy. 2) Górny kąt natarcia. 3) Kąt nachylenia
- 1) Úhel řezné hrany. 2) Skutečný úhel sklonu. 3) Sklon řezné hrany
- 1) Yan kesme kenarı açısı. 2) Gerçek meyil açısı. 3) Kesme kenarı eğimi

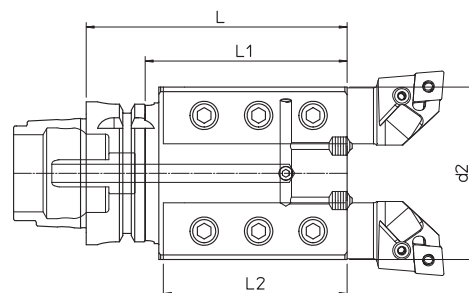
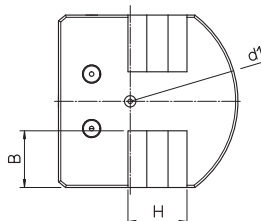
- EXTERNAL TURNING TOOL HOLDERS
- АДАПТОРЫ ДЕРЖАТЕЛЕЙ
- ADAPTERY OPRAWEK NARZĘDZIOWYCH
- EXTERNÍ DRŽÁKY NÁSTROJŮ NA SOUSTRUŽENÍ
- DIŞ TORNALAMA TAKIMI TUTUCULARI

DIN 69893
MCD' HSK-T63



- Right hand tool holder shown. Supplied with coolant tube. Without bit-holders and clamping wrenches. A standard application requires left hand tools with right hand adapters.
- На рисунке правые держатели. Включают соединения для хладагента. Кассеты и зажимные ключи не входят в комплект поставки. Нормальная эксплуатация требует левого инструмента в правом адаптере.
- Na rysunku oprawka narzędziowa prawa. Wyposażona w złącze do cieczy chłodzącej. Końcówki i klucze zaciskowe nie są na wyposażeniu. Normalne zastosowanie wymaga narzędzia lewego w prawej oprawce.
- Zobrazovaný pravý nástrojový držák. Dodávané s chladicím potrubím. Bez hrotových držáků a upínacích klíčů. Standardní aplikace vyžaduje levé nástroje s pravými adaptéry.
- Sağdan kullanımlı takim tutucu gösterilmiştir. Soğutma sıvısıyla tedarik edilir. Matkap kovanları ve sıkıştırma anahtarları dahil değildir. Standart uygulamada soldan kullanılan takımlar sağdan kullanım adaptörlerine ihtiyaç duyar.

HSK-T	REF.	CODE	L	L1	d1	d2	a°	BxH	kg
63	MCD' HSK-T63 TU25.45R	71HСКА63T2545R1	120	94	90	82.5	45°	25x25	3.4
	MCD' HSK-T63 TU25.45L	71HСКА63T2545L1							



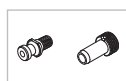
- Supplied with coolant tube. Without bit-holders and clamping wrenches
- Содержат соединения для хладагента. Кассеты и зажимные ключи не входят в комплект поставки
- Wyposażony w złącze do cieczy chłodzącej. Końcówki i klucze zaciskowe nie są na wyposażeniu.
- Dodávané s chladicím potrubím. Bez hrotových držáků a upínacích klíčů
- Soğutma sıvısıyla tedarik edilir. Matkap kovanları ve sıkıştırma anahtarları dahil değildir

HSK-T	REF.	CODE	L	L1	L2	d1	d2	BxH	kg
63	MCD' HSK-T63 TU25.02N	71HСКА63T2502N1	115	89	80	95	76	25x25	3.5

248

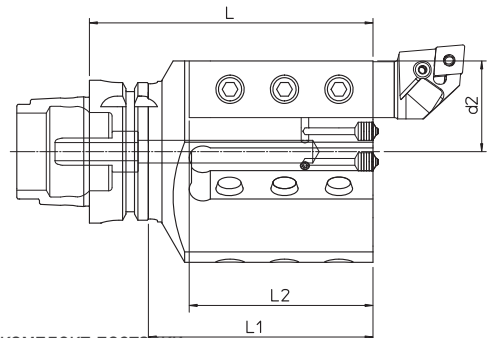
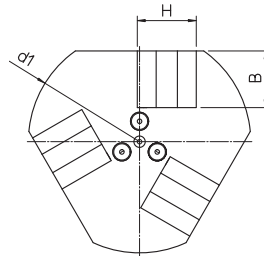
240

237



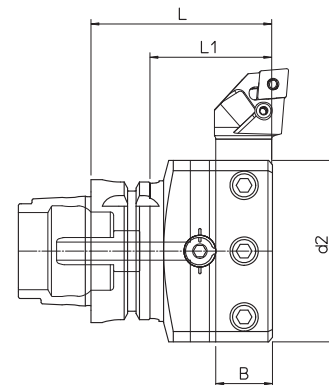
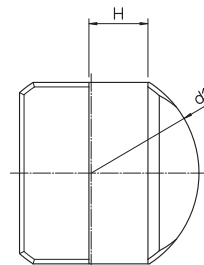
- EXTERNAL TURNING TOOL HOLDERS
- АДАПТОРЫ ДЕРЖАТЕЛЕЙ
- ADAPTERY OPRAWEK NARZĘDZIOWYCH
- EXTERNÍ DRŽÁKY NÁSTROJŮ NA SOUSTRUŽENÍ
- DIŞ TORNALAMA TAKIMI TUTUCULARI

DIN 69893
MCD' HSK-T63



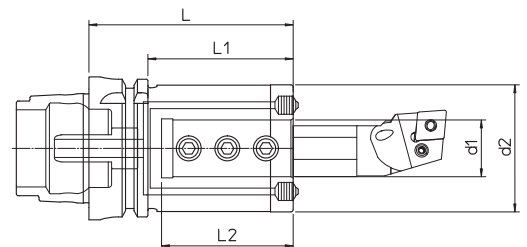
- Supplied with coolant tube. Without bit-holders and clamping wrenches
- Содержат соединения для хладагента. Кассеты и зажимные ключи не входят в комплект поставки
- Wyposażony w złącze do cieczy chłodzącej. Końcówki i klucze zaciskowe nie są na wyposażeniu.
- Dodávané s chladicím potrubím. Bez hrotových držáků a upínacích klíčů
- Soğutma sıvısı borusuyla tedarik edilir. Matkap kovanları ve sıkıştırma anahtarları dahil değildir

HSK-T	REF.	CODE	L	L1	L2	d1	d2	BxH	kg
63	MCD' HSK-T63 TU25.03R	71HСКА63T2503R1	125	99	80	98	40	25x25	4
	MCD' HSK-T63 TU25.03L	71HСКА63T2503L1							



- Supplied with coolant tube. Without bit-holders and clamping wrenches
- Содержат соединения для хладагента. Кассеты и зажимные ключи не входят в комплект поставки
- Wyposażony w złącze do cieczy chłodzącej. Końcówki i klucze zaciskowe nie są na wyposażeniu.
- Dodávané s chladicím potrubím. Bez hrotových držáků a upínacích klíčů
- Soğutma sıvısı borusuyla tedarik edilir. Matkap kovanları ve sıkıştırma anahtarları dahil değildir

HSK-T	REF.	CODE	L	L1	d1	d2	BxH	kg
63	MCD' HSK-T63 TU25.90	71HСКА63T259001	80	54	95	80	25x25	5.1

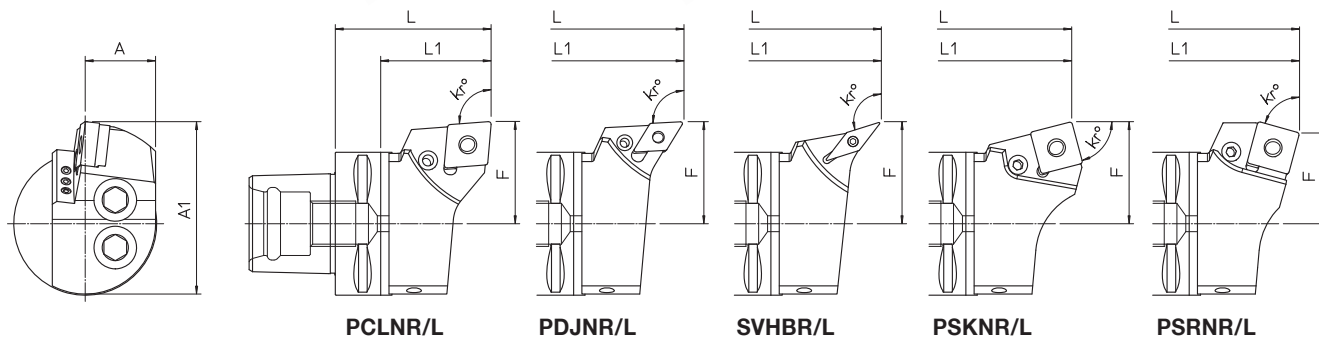


- Supplied with coolant tube. Without bit-holders and clamping wrenches. **Reduction bushes on request.**
- Содержат соединения для хладагента. Кассеты и зажимные ключи не входят в комплект поставки. **Соединительные втулки поставляются по запросу.**
- Wyposażona w złącze do cieczy chłodzącej. Końcówki i klucze zaciskowe nie są na wyposażeniu. **Tuleje redukcyjne dostępne na zamówienie.**
- Dodávané s chladicím potrubím. Bez hrotových držáků a upínacích klíčů. **Redukční pouzdra na vyžádání.**
- Soğutma sıvısı borusuyla tedarik edilir. Matkap kovanları ve sıkıştırma anahtarları dahil değildir. **Redüktör burçları isteğe bağlıdır.**

HSK-T	REF.	CODE	d1H7	d2	L	L1	L2	kg
63	MCD' HSK-T63 D.25x90	71HСКА63D250901	25	56	90	64	58	1.6
	MCD' HSK-T63 D.40x135	71HСКА63D401301	40	80	135	109	85	3.9



ISO 26623-1
MCD' PSC



- Available on request HP = High Pressure **Max 80 BAR**
- Поставляются по заказу HP = высокое давление **Max 80 BAR**
- Dostarczane na zamówienie HP = wysokie ciśnienie **Max 80 BAR**
- Dodávané na objednávku HP = vysoký tlak **Max 80 BAR**
- Talebe göre HP = .Yüksek Basıncılı olarak da mevcuttur **Max 80 BAR**

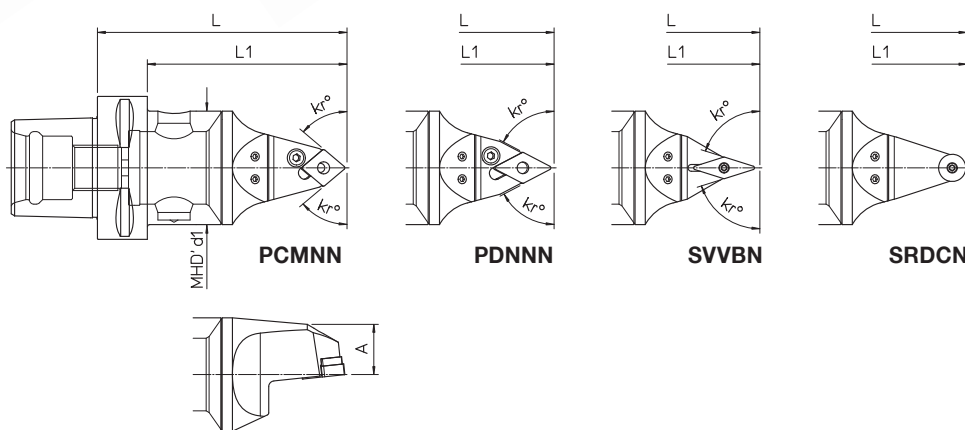
PSC	REF.	CODE	A	A ₁	F	L	L ₁	K _r ¹⁾	γ ²⁾	λ ³⁾		kg				
40	MCD' PSC 40 PCLNR/L 27050-12	6P04PCLNR/L20512N	19.5	47	27	50	30	95°	6°	6°	CNM..1204..	0.5				
	MCD' PSC 40 PDJNR/L 27055-15	6P04PDJNR/L20515N						93°			DNM..1506..					
	MCD' PSC 40 PSKNR/L 27050-12	6P04PSKNR/L20512N						50			30		75°	SNM..1204..		
	MCD' PSC 40 PSRNR/L 22050-12	6P04PSRNR/L20512N						42			22					
50	MCD' PSC 50 PCLNR/L 35060-12	6P05PCLNR/L30612N	24.5	60	35	60	40	95°	6°	6°	CNM..1204..	0.8				
	MCD' PSC 50 PDJNR/L 35060-15	6P05PDJNR/L30615N						93°			DNM..1508..					
	MCD' PSC 50 PSKNR/L 35060-12	6P05PSKNR/L30612N						75°			SNM..1204..					
	MCD' PSC 50 PSRNR/L 27060-12	6P05PSRNR/L20612N						52			27					
63	MCD' PSC 63 PCLNR/L 45065-19	6P06PCLNR/L40619N	31	76	45	65	45	95°	6°	6°	CNM..1906..	1.3				
	MCD' PSC 63 PDJNR/L 45065-15	6P06PDJNR/L40615N						93°			DNM..1506..					
	MCD' PSC 63 SVHBR/L 45065-16	6P06SVHBR/L40616N						107.5°			0°		0°	VBM..1604..		
	MCD' PSC 63 PSKNR/L 45065-19	6P06PSKNR/L40619N						63			43		75°	6°	6°	SNM..1906..
	MCD' PSC 63 PSRNR/L 40065-19	6P06PSRNR/L40619N						71			40		65	45		
80	MCD' PSC 80 PCLNR/L 55080-19	6P08PCLNR/L50819N	39.5	95	55	80	50	95°	6°	6°	CNM..1906..	2.8				
	MCD' PSC 80 PDJNR/L 55080-15	6P08PDJNR/L50815N						93°			DNM..1506..					
	MCD' PSC 80 SVHBR/L 55080-16	6P08SVHBR/L50816N						107.5°			0°		0°	VBM..1604..		
	MCD' PSC 80 PSKNR/L 55080-19	6P08PSKNR/L50819N						78			48		75°	6°	6°	SNM..1906..
	MCD' PSC 80 PSRNR/L 45080-19	6P08PSRNR/L40819N						85			45		80	50		

- Right hand bit-holders shown: 1) Side cutting edge angle. 2) True rake angle. 3) Cutting edge inclination
- На рисунке правые модули. 1) Угол записи. 2) Передний угол. 3) Угол наклона
- Na rysunku końcówki prawe: 1) Kąt nastawczy. 2) Górny kąt natarcia. 3) Kąt nachylenia
- Zobrazené pravé hrotové držáky: 1) Úhel řezné hrany. 2) Skutečný úhel sklonu. 3) Sklon řezné hrany
- Sağdan kullanımlı kovanlar gösterilmiştir: 1) Yan kesme kenarı açısı. 2) Gerçek meyil açısı. 3) Kesme kenarı eğimi



- TURNING TOOLS
- ТОКАРНЫЕ РЕЗЦЫ
- NARZĘDZIA TOKARSKIE
- NÁSTROJE NA SOUSTRUŽENÍ
- TORNA AYNASI TAKIMLARI

ISO 26623-1
MCD' PSC

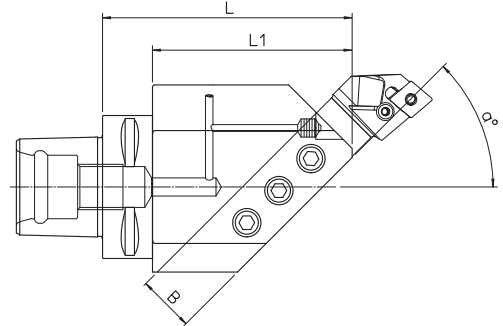
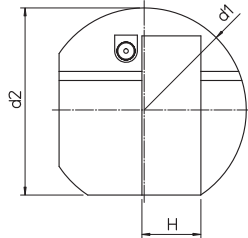


- Available on request HP = High Pressure **Max 80 BAR**
- Поставляются по заказу HP = высокое давление **Max 80 BAR**
- Dostarczane na zamówienie HP = wysokie ciśnienie **Max 80 BAR**
- Dodávané na objednávku HP = vysoký tlak **Max 80 BAR**
- Talebe göre HP = .Yüksek Basıncılı olarak da mevcuttur **Max 80 BAR**

PSC	REF.	CODE	MHD'd1	A	L	L1	K _r ¹⁾	γ ²⁾	λ ³⁾		kg
40	MCD' PSC 40 PCMNN 00090-12	6P04PCMNN00912N	40	22.5	90	70	50	6°	0°	CNM..1204..	0.7
	MCD' PSC 40 PDNNN 00090-15	6P04PDNNN00915N					62.5			DNM..1506..	
	MCD' PSC 40 SVVBN 00090-16	6P04SVVBN00916N					72.5	VBM..1604..			
	MCD' PSC 40 SRDCN 00090-10	6P04SRDCN00910N					-	RCM..10T3..			
50	MCD' PSC 50 PCMNN 00110-12	6P05PCMNN01112N	50	22.1	110	88	50	6°	0°	CNM..1204..	1.2
	MCD' PSC 50 PDNNN 00110-15	6P05PDNNN01115N					62.5			DNM..1506..	
	MCD' PSC 50 SVVBN 00110-16	6P05SVVBN01116N					72.5	VBM..1604..			
	MCD' PSC 50 SRDCN 00110-12	6P05SRDCN01112N					-	RCM..1204..			
63	MCD' PSC 63 PCMNN 00110-12	6P06PCMNN01112N	63	28.5	140	110	50	6°	0°	CNM..1204..	1.6
	MCD' PSC 63 PDNNN 00110-15	6P06PDNNN01115N					62.5			DNM..1506..	
	MCD' PSC 63 SVVBN 00110-16	6P06SVVBN01116N					72.5	VBM..1604..			
	MCD' PSC 63 SRDCN 00110-12	6P06SRDCN01112N					-	RCM..1204..			
80	MCD' PSC 80 PCMNN 00140-12	6P08PCMNN01412N	80	28.5	140	110	50	6°	0°	CNM..1204..	3.3
	MCD' PSC 80 PDNNN 00140-15	6P08PDNNN01415N					62.5			DNM..1506..	
	MCD' PSC 80 SVVBN 00140-16	6P08SVVBN01416N					72.5	VBM..1604..			
	MCD' PSC 80 SRDCN 00140-16	6P08SRDCN01416N					-	RCM..1606..			

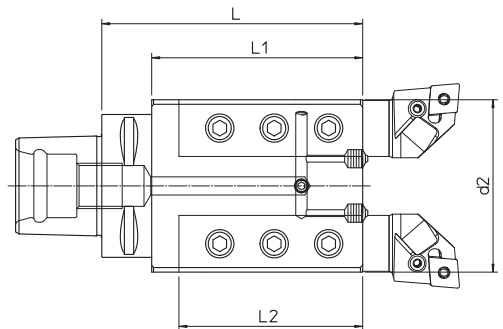
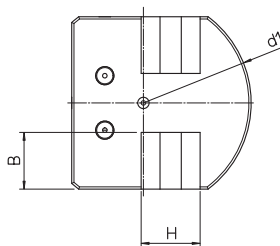
- 1) Side cutting edge angle. 2) True rake angle. 3) Cutting edge inclination
- 1) Угол записи. 2) Передний угол. 3) Угол наклона
- 1) Kąt nastawczy. 2) Górny kąt natarcia. 3) Kąt nachylenia
- 1) Úhel řezné hrany. 2) Skutečný úhel sklonu. 3) Sklon řezné hrany
- 1) Yan kesme kenarı açısı. 2) Gerçek meyil açısı. 3) Kesme kenarı eğimi





- Right hand tool holder shown. Without bit-holders and clamping wrenches. A standard application requires left hand tools with right hand adapters.
- На рисунке правые держатели. Кассеты и зажимные ключи не входят в комплект поставки. Нормальная эксплуатация требует левого инструмента в правом адаптере.
- Na rysunku oprawka narzędziowa prawa. Końcówki i klucze zaciskowe nie są na wyposażeniu. Normalne zastosowanie wymaga narzędzia lewego w prawej oprawce.
- Zobrazený pravý nástrojový držák. Bez hrotových držáků a upínacích klíčů. Standardní aplikace vyžaduje levé nástroje s pravými adaptéry.
- Sağdan kullanımlı takım tutucu gösterilmiştir. Matkap kovanları ve sıkıştırma anahtarları dahil değildir. Standart uygulamada soldan kullanılan takımlar sağdan kullanım adaptörlerine ihtiyaç duyar.

PSC	REF.	CODE	L	L ₁	d ₁	d ₂	a°	BxH	kg
50	MCD' PSC 50 TU20.45R/L	71PSC050T2045R/L1	90	70	72	65	45°	20x20	1.8
63	MCD' PSC 63 TU25.45R/L	71PSC063T2545R/L1	110	88	90	82.5		25x25	3.5
80	MCD' PSC 80 TU32.45R/L	71PSC080T3245R/L1	135	105	115	98.5		32x32	6.4



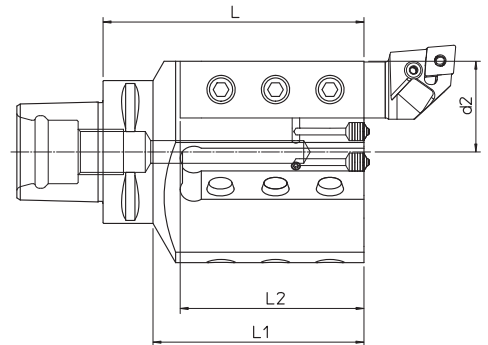
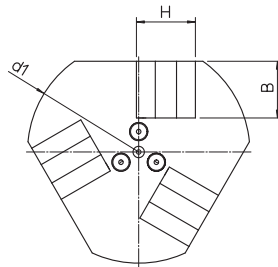
- Without bit-holders and clamping wrenches
- Кассеты и зажимные ключи не входят в комплект поставки
- Końcówki i klucze zaciskowe nie są na wyposażeniu.
- Bez hrotových držáků a upínacích klíčů
- Matkap kovanları ve sıkıştırma anahtarları dahil değildir

PSC	REF.	CODE	L	L ₁	L ₂	d ₁	d ₂	BxH	kg
50	MCD' PSC 50 TU20.02	71PSC050T200201	100	80	64	80	63	20x20	2.5
63	MCD' PSC 63 TU25.02	71PSC063T250201	115	93	80	95	76	25x25	4
80	MCD' PSC 80 TU32.02	71PSC080T320201	125	95		115	86	32x32	6.2



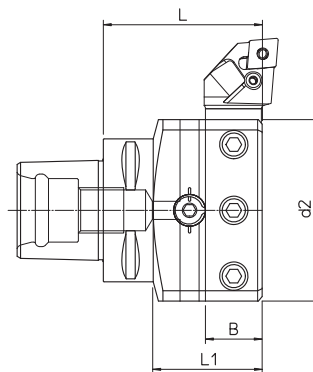
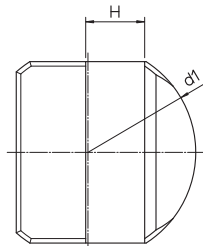
- EXTERNAL TURNING TOOL HOLDERS
- АДАПТОРЫ ДЕРЖАТЕЛЕЙ
- ADAPTERY OPRAWEK NARZĘDZIOWYCH
- EXTERNÍ DRŽÁKY NÁSTROJŮ NA SOUSTRUŽENÍ
- DIŞ TORNALAMA TAKIMI TUTUCULARI

ISO 26623-1
MCD' PSC



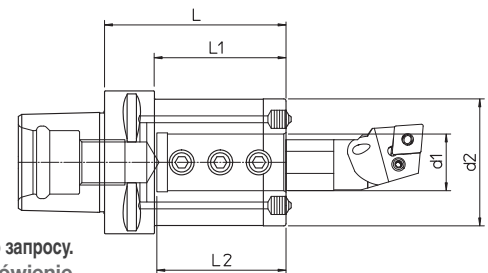
- Without bit-holders and clamping wrenches
- Кассеты и зажимные ключи не входят в комплект поставки
- Końcówki i klucze zaciskowe nie są na wyposażeniu.
- Bez hrotových držáků a upínacích klíčů
- Matkap kovanları ve sıkıştırma anahtarları dahil değildir

PSC	REF.	CODE	L	L1	L2	d1	d2	BxH	kg
63	MCD' PSC 63 TU25.03R	71PSC063T2503R1	115	93	80	98	40	25x25	4
	MCD' PSC 63 TU25.03L	71PSC063T2503L1							



- Without bit-holders and clamping wrenches
- Кассеты и зажимные ключи не входят в комплект поставки
- Końcówki i klucze zaciskowe nie są na wyposażeniu.
- Bez hrotových držáků a upínacích klíčů
- Matkap kovanları ve sıkıştırma anahtarları dahil değildir

PSC	REF.	CODE	L	L1	d1	d2	BxH	kg
50	MCD' PSC 50 TU20.90	71PSC050T209001	60	40	80	64	20x20	1.4
63	MCD' PSC 63 TU25.90	71PSC063T259001	70	48	95	80	25x25	2.6
80	MCD' PSC 80 TU32.90	71PSC080T329001	85	55	133	105	32x32	5.2



- Without bit-holders and clamping wrenches. **Reduction bushes on request.**
- Кассеты и зажимные ключи не входят в комплект поставки. **Соединительные втулки поставляются по запросу.**
- Końcówki i klucze zaciskowe nie są na wyposażeniu. **Tuleje redukcyjne dostępne na zamówienie.**
- Bez hrotových držáků a upínacích klíčů. **Redukční pouzdra na vyžádání.**
- Matkap kovanları ve sıkıştırma anahtarları dahil değildir. **Redüktör burçları isteğe bağlıdır.**

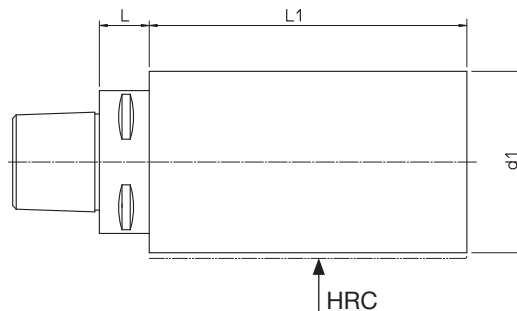
PSC	REF.	CODE	d1 ^{H7}	d2	L	L1	L2	kg
50	MCD' PSC 50 D.25x80	71PSC050D250801	25	56	80	60	58	1.4
63	MCD' PSC 63 D.25x80	71PSC063D250801				58		1.7
		MCD' PSC 63 D.40x125	71PSC063D401201	40	80	125	103	85
80	MCD' PSC 80 D.25x85	71PSC080D250801	25	56	85	55	58	2.6
	MCD' PSC 80 D.40x125	71PSC080D401201	40	80	125	95	85	4.6

237

252



ISO 26623-1
PSC-NS-H28-42



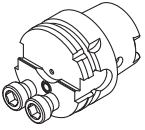
PSC	REF.	CODE	d ₁	L	L ₁	kg	HRC
40	PSC 40 - NS 50.160/140 H.28	71PSC040Z205014	50	20	140	2.4	28
	PSC 40 - NS 63.160/140 H.28	71PSC040Z206314	63			3.6	
	PSC 40 - NS 80.160/140 H.28	71PSC040Z208014	80			5.7	
50	PSC 50 - NS 63.160/140 H.28	71PSC050Z206314	63			3.8	
	PSC 50 - NS 80.160/140 H.28	71PSC050Z208014	80			10.2	
	PSC 50 - NS 100.180/160 H.28	71PSC050Z210016	100			160	
63	PSC 63 - NS 80.162/140 H.28	71PSC063Z208014	80	22	140	6.2	
	PSC 63 - NS 100.182/160 H.28	71PSC063Z210016	100		160	10.4	
	PSC 63 - NS 120.202/180 H.28	71PSC063Z212018	120		180	17	
80	PSC 80 - NS 100.190/160 H.28	71PSC080Z210016	100	30	160	11.5	
	PSC 80 - NS 140.210/180 H.28	71PSC080Z214018	140		180	23.4	

PSC	REF.	CODE	d ₁	L	L ₁	kg	HRC
40	PSC 40 - NS 50.160/140 H.42	71PSC040Z405014	50	20	140	2.4	42
	PSC 40 - NS 63.160/140 H.42	71PSC040Z406314	63			3.6	
	PSC 40 - NS 80.160/140 H.42	71PSC040Z408014	80			5.7	
50	PSC 50 - NS 63.160/140 H.42	71PSC050Z406314	63			3.8	
	PSC 50 - NS 80.160/140 H.42	71PSC050Z408014	80			10.2	
	PSC 50 - NS 100.180/160 H.42	71PSC050Z410016	100			160	
63	PSC 63 - NS 80.162/140 H.42	71PSC063Z408014	80	22	140	6.2	
	PSC 63 - NS 100.182/160 H.42	71PSC063Z410016	100		160	10.4	
	PSC 63 - NS 120.202/180 H.42	71PSC063Z412018	120		180	17	
80	PSC 80 - NS 100.190/160 H.42	71PSC080Z410016	100	30	160	11.5	
	PSC 80 - NS 140.210/180 H.42	71PSC080Z414018	140		180	23.4	

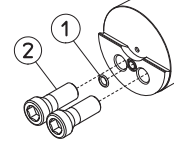


- ACCESSORIES AND SPARE PARTS
- ЗАПЧАСТИ И КОМПЛЕКТУЮЩИЕ
- WYPOSAŻENIE DODATKOWE I CZĘŚCI ZAMIENNE
- PŘÍSLUŠENSTVÍ A NÁHRADNÍ DÍLY
- AKSESUARLAR VE YEDEK PARÇALAR

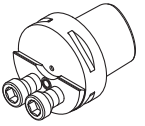
MCD' HSK



REF. MCD'	CODE
HSK-T63 F30 RL	71HSKA63F030RL1



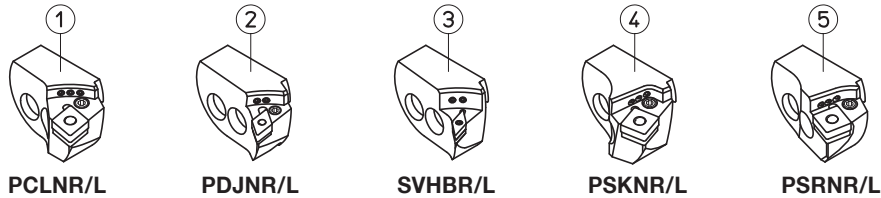
MCD' PSC



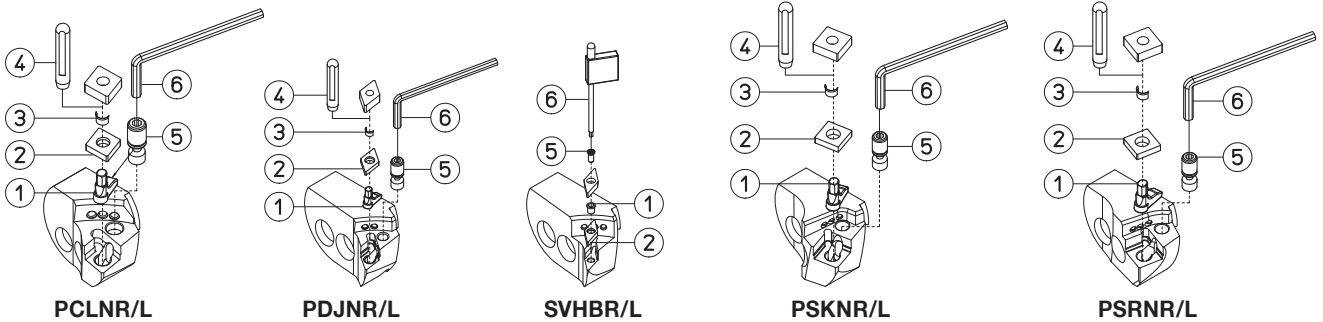
REF. MCD'	CODE
PSC 40 F20 RL	71PSC040F020RL1
PSC 50 F20 RL	71PSC050F020RL1
PSC 63 F20 RL	71PSC063F020RL1
PSC 80 F30 RL	71PSC080F030RL1

REF. MCD'	CODE 1	CODE 2
PSC 40	101254004515	200100170620
PSC 50		200100170820
HSK-T63 / PSC 63	101254005515	200100171225
PSC 80		200100171631

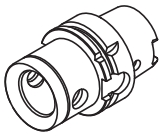
MCD' HSK / PSC



REF.	CODE 1	CODE 2	CODE 3	CODE 4	CODE 5
MCD' 40	7504PCLNR/L20312N	7504PDJNR/L20315N		7504PSKNR/L20312N	7504PSRNR/L20312N
MCD' 50	7505PCLNR/L30412N	7505PDJNR/L30415N		7505PSKNR/L30412N	7505PSRNR/L20412N
MCD' 63	7506PCLNR/L40419N	7506PDJNR/L40415N	7506SVHBR/L40416N	7506PSKNR/L40419N	7506PSRNR/L40419N
MCD' 80	7508PCLNR/L50519N	7508PDJNR/L50515N	7508SVHBR/L50516N	7508PSKNR/L50519N	7508PSRNR/L40519N



	REF.	CODE 1	CODE 2	CODE 3	CODE 4	CODE 5	CODE 6
□	PCLNR/L ... - 12	491110000002	492030003012	100655065060	101501307100	494310080230	101500100300
	PCLNR/L ... - 19	491111190600	492031190600	100655095112	101501301408	494311190600	101500100400
◊	PDJNR/L ... - 15	491110000003	492030003015	100655065060	101501307100	494310080260	101500100400
	SVHBR/L ... - 16	492010000508	492030003016	-	-	494210035070	101500901500
□	PSKNR/L ... - 12	491110000002	492035120400	100655065060	101501307100	494310080230	101500100300
	PSKNR/L ... - 19	491111190600	492035190600	100655095112	101501301408	494311190600	101500100400
◊	PSRNR/L ... - 12	491110000002	492035120400	100655065060	101501307100	494310080230	101500100300
	PSRNR/L ... - 19	491111190600	492035190600	100655095112	101501301408	494311190600	101500100400

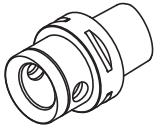


MCD' HSK

HSK-A	REF.	CODE
63	HSK-A63 MHD' 50.66	416501506320

- Complete range of cones on page 17 • Полная гамма конусов на стр.17 • Kompletna gama stożków na str.17
- Kompletní řada kuželů na straně 17 • Sf.17'deki tüm koni ürünleri

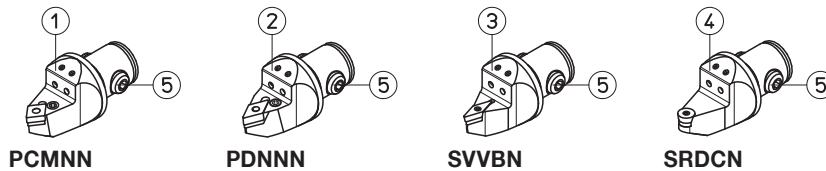
MCD' PSC



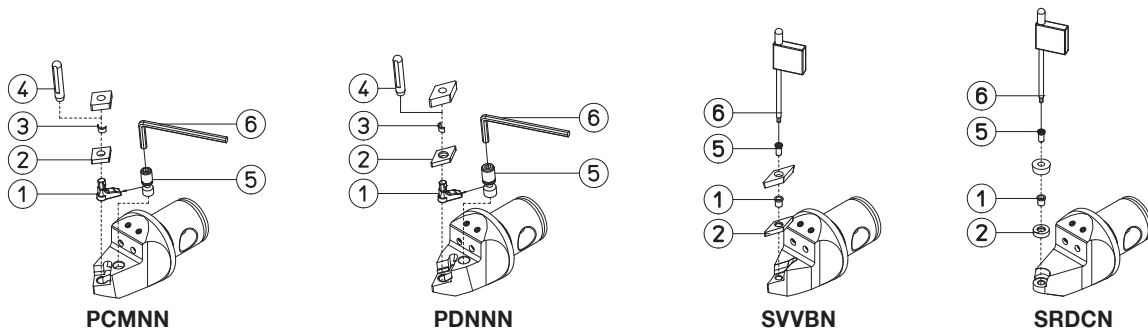
PSC	REF.	CODE
40	PSC 40 - MHD' 40.45	416402604004
50	PSC 50 - MHD' 50.55	416502605005
63	PSC 63 - MHD' 50.55	416502606305
80	PSC 80 - MHD' 63.70	416632608007

- Complete range of cones on page 19 • Полная гамма конусов на стр.19 • Kompletna gama stożków na str.19
- Kompletní řada kuželů na straně 19 • Sf.19'deki tüm koni ürünleri

MCD' HSK / PSC

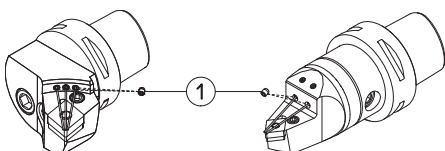


REF.	CODE 1	CODE 2	CODE 3	CODE 4	CODE 5
MCD' MHD' 40	657540001120	657540002150	657540003160	657540004100	381725001401
MCD' MHD' 50	657550001120	657550002150	657550003160	657550004120	381725001501
MCD' MHD' 63	657563001120	657563002150	657563003160	657563004160	381725001002



REF	CODE 1	CODE 2	CODE 3	CODE 4	CODE 5	CODE 6
PCMNN ... - 12	491110000002	492030003012	100655065060	101501307100	494310080230	101500100300
PDNNN ... - 15	491110000003	492030003015	100655065060	101501307100	494310080260	101500100400
SVVBN ... - 16	492010000508	492030003016	-	-	494210035070	101500901500
SRDCN ... - 10	492010000508	492034100300	-	-	494210035070	101500901500
SRDCN ... - 12	492010000508	492030003013	-	-	494210035070	101500901500
SRDCN ... - 16	492014160600	492034160600	-	-	494214160600	101500902000

MCD' HSK / PSC HP

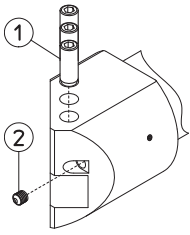


REF.	CODE 1
MCD' HSK / PSC HP	100580110450



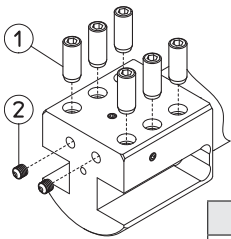
- ACCESSORIES AND SPARE PARTS
- ЗАПЧАСТИ И КОМПЛЕКТУЮЩИЕ
- WYPOSAŻENIE DODATKOWE I CZĘŚCI ZAMIENNE
- PŘÍSLUŠENSTVÍ A NÁHRADNÍ DÍLY
- AKSESUARLAR VE YEDEK PARÇALAR

MCD' HSK / PSC



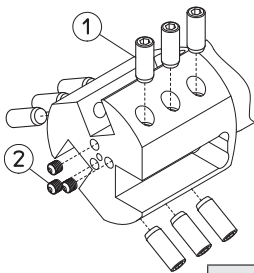
REF.	CODE 1	CODE 2
MCD' HSK-T63 TU25.45R/L	100231120025	100585010800
MCD' PSC 50 TU20.45R/L		
MCD' PSC 63 TU25.45R/L		
MCD' PSC 80 TU32.45R/L		

MCD' HSK / PSC



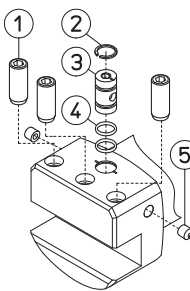
REF.	CODE 1	CODE 2
MCD' HSK-T63 TU25.02	100231120025	100585010800
MCD' PSC 50 TU20.02		
MCD' PSC 63 TU25.02		
MCD' PSC 80 TU32.02		

MCD' HSK / PSC



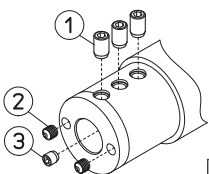
REF.	CODE 1	CODE 2
MCD' HSK-T63 TU25.03R/L	100231120025	100585010800
MCD' PSC 63 TU25.03R/L		

MCD' HSK / PSC



REF.	CODE 1	CODE 2	CODE 3	CODE 4	CODE 5
MCD' PSC 50 TU20.90	100231120025	100900301400	201462501400	101251002043	100580610180
MCD' PSC 63 TU25.90					
MCD' HSK-T63 TU25.90					
MCD' PSC 80 TU32.90					

MCD' HSK / PSC



REF.	CODE 1	CODE 2	CODE 3
MCD' PSC 50 D.25x80	100231100016	100585010800	-
MCD' HSK-T63 / PSC 63 D.25x80			-
MCD' HSK-T63 / PSC 63 D.40x125	100231120020		100231080008
MCD' PSC 80 D.25x85	100231100016		-
MCD' PSC 80 D.40x125	100231120020		100231080008

D'ANDREA ACCESSORIES

- ACCESSORIES
- КОМПЛЕКТУЮЩИЕ
- WYPOSAŻENIE DODATKOWE
- PŘÍSLUŠENSTVÍ
- AKSESUARLAR

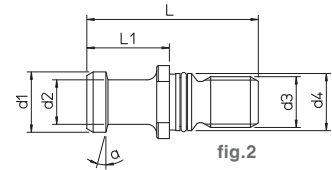
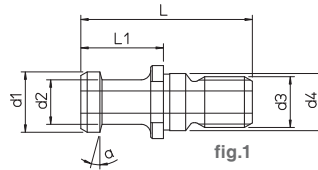
238





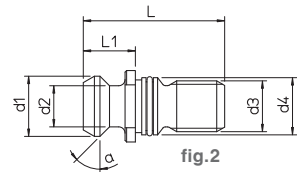
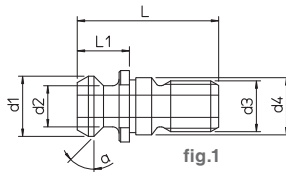
- ACCESSORIES
- КОМПЛЕКТУЮЩИЕ
- WYPOSAŻENIE DODATKOWE
- PŘÍSLUŠENSTVÍ
- AKSESUARLAR

ISO 7388/2 A - DIN 69872



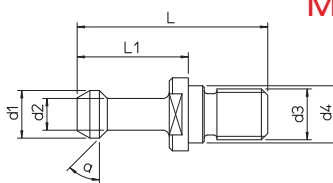
REF.	CODE	ISO	d1	d2	d3	d4	L	L1	a	fig.
ISO 7388/2 A DIN 69872	201430250401	40	19	14	M16	17	54	26	15°	1
	201430250451	45	23	17	M20	21	65	30		
	201430250501	50	28	21	M24	25	74	34		
	201430250400	40	19	14	M16	17	54	26		2
	201430250500	50	28	21	M24	25	74	34		
201430250600	60	40	30	M30	32	90	40			

ISO 7388/2 B - ANSI B.5 50



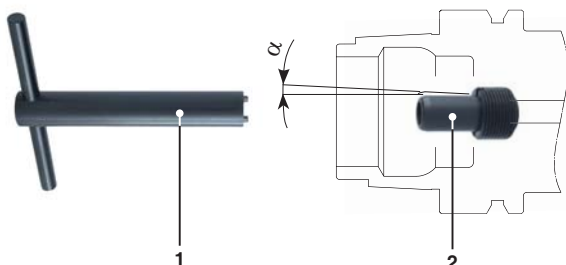
REF.	CODE	ISO	d1	d2	d3	d4	L	L1	a	fig.
ISO 7388/2 B ANSI B.5 50	201430251401	40	18.95	12.95	M16	17	44.50	16.40	45°	1
	201430251451	45	24.05	16.30	M20	21	56	20.95		
	201430251501	50	29.10	19.60	M24	25	65.50	25.55		
	201430251400	40	18.95	12.95	M16	17	44.50	16.40		2
	201430251500	50	29.10	19.60	M24	25	65.50	25.55		

MAS 403 BT - 30° - 45°



REF.	CODE	ISO	d1	d2	d3	d4	L	L1	a
MAS 403 BT 30°	201430252301	30	11	7	M12	12.5	43	23	30°
	201430252401	40	15	10	M16	17	60	35	
	201430252451	45	19	14	M20	21	70	40	
	201430252501	50	23	17	M24	25	85	45	
	201430252601	60	32	24	M30	31	115	65	
MAS 403 BT 45°	201430252302	30	11	7	M12	12.5	43	23	45°
	201430252402	40	15	10	M16	17	60	35	
	201430252452	45	19	14	M20	21	70	40	
	201430252502	50	23	17	M24	25	85	45	
	201430252602	60	32	24	M30	31	115	65	

HSK



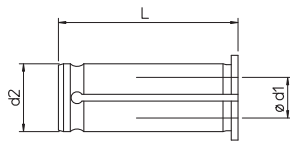
REF.	CODE 1	α	CODE 2
HSK-A40	101501101000	± 1°	382019008001
HSK-A50	101501101400		382019010001
HSK-A63 / HSK-T63	101501101600		382019012001
HSK-A80	101501101800		382019014001
HSK-A100	101501102200		382019016001



- ACCESSORIES
- КОМПЛЕКТУЮЩИЕ
- WYPOSAŻENIE DODATKOWE
- PŘÍSLUŠENSTVÍ
- AKSESUARLAR

- BUSHES FOR ULTRA-TIGHT SPINDLE
- ЗАЖИМНАЯ СВЕРХЖЕСТКАЯ ГИЛЬЗА ДЛЯ ШПИНДЕЛЯ
- TULEJE DO WRZECION O DUZEJ SILE ZACISKU
- POUZDRA PRO VYSOCE PEVNÉ VŘETENO
- ULTRA SIKI MIL İÇİN BURÇLAR

RC



$\nabla 0.003$

FORCE (d ₂)	REF.	CODE	d ₁	L
12	RC 12.03	497080012030	3	44
	RC 12.04	497080012040	4	
	RC 12.06	497080012060	6	
	RC 12.08	497080012080	8	
	RC 12.10	497080012100	10	
20	RC 20.03	497080020030	3	50
	RC 20.04	497080020040	4	
	RC 20.05	497080020050	5	
	RC 20.06	497080020060	6	
	RC 20.08	497080020080	8	
	RC 20.10	497080020100	10	
	RC 20.12	497080020120	12	
	RC 20.14	497080020140	14	
32	RC 32.03	497080032030	3	63
	RC 32.04	497080032040	4	
	RC 32.05	497080032050	5	
	RC 32.06	497080032060	6	
	RC 32.08	497080032080	8	
	RC 32.10	497080032100	10	
	RC 32.12	497080032120	12	
	RC 32.14	497080032140	14	
	RC 32.16	497080032160	16	
	RC 32.18	497080032180	18	
	RC 32.20	497080032200	20	
RC 32.25	497080032250	25		

- RC SEALED bushes supplied upon request
- Поставляются по запросу гильзы RC по ПЛОТНОСТИ
- Na zamówienie: tuleje RC SZCZELNE
- UZAVŘENÁ POUZDRA RC se dodávají na vyžádání
- RC contalı burçlar istek üzerine mevcuttur

- REDUCTIONS
- ПЕРЕХОДНИК
- РЕДУКТОР
- REDUKCE
- KISALTMALAR



fig.1

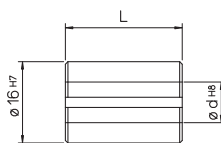
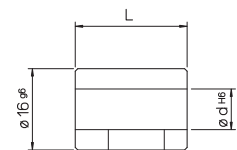


fig.2



REF.	CODE	L	Ø d	fig.
D04.16	200560116040	23	4	1
D08.16	200560116082	22	8	2
D10.16	200560116100	23	10	1
D12.16	200560116120		12	



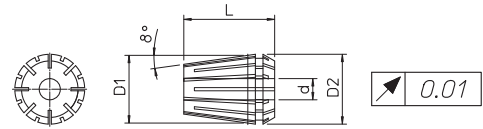
- 1 B3.06
- 1 B3.08
- 1 B3.11
- 1 B3.16 5 TPGX 090202L
- 1 B3.22 3 WCGT 020102L

KIT
Ø 6 ~ 30

REF.	CODE	Ø
K20.50	655000100200	6 ~ 30

- ER COLLET
- ЦАНГИ ER
- TULEJA ZACISKOWA ER
- UPÍNACÍ POUZDRO ER
- ER FREZE ÇAKISI TUTUCU

ER DIN 6499-B



REF.	d	D ₁	D ₂	L
ER 11	0.5 ~ 7	11	11.5	18
ER 16	0.5 ~ 10	16	17	27.5
ER 20	1 ~ 13	20	21	31.5
ER 25	1 ~ 16	25	26	34
ER 32	2 ~ 20	32	33	40
ER 40	3 ~ 26	40	41	46

RANGE	ER11	ER16	ER20	ER25	ER32	ER40
1 - 0.5	496080111010	496080116010	-	-	-	-
1.5 - 1	496080111015	496080116015	-	-	-	-
2 - 1	-	-	496080120020	496080125020	-	-
2 - 1.5	496080111020	496080116021	-	-	-	-
2.5 - 2	496080111025	496080116025	-	-	-	-
3 - 2	-	496080116030	496080120030	496080125030	496080132030	-
3 - 2.5	496080111030	-	-	-	-	-
3.5 - 3	496080111035	-	-	-	-	-
4 - 3	-	496080116040	496080120040	496080125040	496080132040	496080140040
4 - 3.5	496080111040	-	-	-	-	-
4.5 - 4	496080111045	-	-	-	-	-
5 - 4	-	496080116050	496080120050	496080125050	496080132050	496080140050
5 - 4.5	496080111050	-	-	-	-	-
5.5 - 5	496080111055	-	-	-	-	-
6 - 5	-	496080116060	496080120060	496080125060	496080132060	496080140060
6 - 5.5	496080111060	-	-	-	-	-
6.5 - 6	496080111065	-	-	-	-	-
7 - 6	-	496080116070	496080120070	496080125070	496080132070	496080140070
7 - 6.5	496080111070	-	-	-	-	-
8 - 7	-	496080116080	496080120080	496080125080	496080132080	496080140080
9 - 8	-	496080116090	496080120090	496080125090	496080132090	496080140090
10 - 9	-	496080116100	496080120100	496080125100	496080132100	496080140100
11 - 10	-	-	496080120110	496080125110	496080132110	496080140110
12 - 11	-	-	496080120120	496080125120	496080132120	496080140120
13 - 12	-	-	496080120130	496080125130	496080132130	496080140130
14 - 13	-	-	-	496080125140	496080132140	496080140140
15 - 14	-	-	-	496080125150	496080132150	496080140150
16 - 15	-	-	-	496080125160	496080132160	496080140160
17 - 16	-	-	-	-	496080132170	496080140170
18 - 17	-	-	-	-	496080132180	496080140180
19 - 18	-	-	-	-	496080132190	496080140190
20 - 19	-	-	-	-	496080132200	496080140200
21 - 20	-	-	-	-	-	496080140210
22 - 21	-	-	-	-	-	496080140220
23 - 22	-	-	-	-	-	496080140230
24 - 23	-	-	-	-	-	496080140240
25 - 24	-	-	-	-	-	496080140250
26 - 25	-	-	-	-	-	496080140260

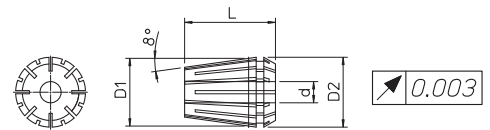
• ER collet SEALED supplied upon request • ГЕРМЕТИЧНАЯ цанга типа ER поставляется по запросу • Precyzyjna tuleja zaciskowa ER, uszczelniona, może być dostarczona na żądanie • upínací kleštiny ER, UTĚSNĚNÉ, může být dodáno na vyžádání • ER-Hassas pens, CONTALI, istek üzerine sağlanır

SET ER	REF.	Ø	CODE
	SET ER11/13	0.5 ~ 7	496080111000
	SET ER16/10	0.5 ~ 10	496080116000
	SET ER20/12	1 ~ 13	496080120000
	SET ER25/15	1 ~ 16	496080125000
	SET ER32/18	2 ~ 20	496080132000
	SET ER40/23	3 ~ 26	496080140000



- ER ULTRA-PRECISE COLLET
- СВЕРХТОЧНЫЕ ЦАНГИ ER
- TULEJA ZACISKOWA ER O WYSOKIEJ PRECYZJI
- VYSOCE PŘESNÉ UPÍNACÍ POUZDRO ER
- ER ULTRA HASSAS ÇAKI TUTUCU

ER DIN 6499-B



REF.	d	D ₁	D ₂	L
ER 16	0.5 ~ 10	16	17	27.5
ER 25	1 ~ 16	25	26	34
ER 32	2 ~ 20	32	33	40
ER 40	3 ~ 26	40	41	46

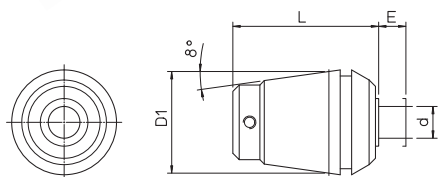
RANGE	ER16	ER25	ER32	ER40
1 - 0.5	496080016010	-	-	-
1.5 - 1	496080016015	-	-	-
2 - 1.5	496080016020	496080025020	-	-
2.5 - 2	496080016025	496080025025	496080032025	-
3 - 2.5	496080016030	496080025030	496080032030	-
3.5 - 3	496080016035	496080025035	496080032035	-
4 - 3.5	496080016040	496080025040	496080032040	496080040040
4.5 - 4	496080016045	496080025045	496080032045	496080040045
5 - 4.5	496080016050	496080025050	496080032050	496080040050
5.5 - 5	496080016055	496080025055	496080032055	496080040055
6 - 5.5	496080016060	496080025060	496080032060	496080040060
6.5 - 6	496080016065	496080025065	496080032065	496080040065
7 - 6.5	496080016070	496080025070	496080032070	496080040070
7.5 - 7	496080016075	496080025075	496080032075	496080040075
8 - 7.5	496080016080	496080025080	496080032080	496080040080
8.5 - 8	496080016085	496080025085	496080032085	496080040085
9 - 8.5	496080016090	496080025090	496080032090	496080040090
9.5 - 9	496080016095	496080025095	496080032095	496080040095
10 - 9.5	496080016100	496080025100	496080032100	496080040100
10.5 - 10	-	496080025105	496080032105	496080040105
11 - 10.5	-	496080025110	496080032110	496080040110
11.5 - 11	-	496080025115	496080032115	496080040115
12 - 11.5	-	496080025120	496080032120	496080040120
12.5 - 12	-	496080025125	496080032125	496080040125
13 - 12.5	-	496080025130	496080032130	496080040130
13.5 - 13	-	496080025135	496080032135	496080040135
14 - 13.5	-	496080025140	496080032140	496080040140
14.5 - 14	-	496080025145	496080032145	496080040145
15 - 14.5	-	496080025150	496080032150	496080040150
15.5 - 15	-	496080025155	496080032155	496080040155
16 - 15.5	-	496080025160	496080032160	496080040160
16.5 - 16	-	-	496080032165	496080040165
17 - 16.5	-	-	496080032170	496080040170
17.5 - 17	-	-	496080032175	496080040175
18 - 17.5	-	-	496080032180	496080040180
18.5 - 18	-	-	496080032185	496080040185
19 - 18.5	-	-	496080032190	496080040190
19.5 - 19	-	-	496080032195	496080040195
20 - 19.5	-	-	496080032200	496080040200
20.5 - 20	-	-	-	496080040205
21 - 20.5	-	-	-	496080040210
21.5 - 21	-	-	-	496080040215
22 - 21.5	-	-	-	496080040220
22.5 - 22	-	-	-	496080040225
23 - 22.5	-	-	-	496080040230
23.5 - 23	-	-	-	496080040235
24 - 23.5	-	-	-	496080040240
24.5 - 24	-	-	-	496080040245
25 - 24.5	-	-	-	496080040250
25.5 - 25	-	-	-	496080040255
26 - 25.5	-	-	-	496080040260

• On request • Поставляются по запросу • Na zamówienie • Na vyžádání • İsteğe bağılı

D'ANDREA ACCESSORIES

- TAPPING COLLETS WITH AXIAL COMPENSATION
- ЦАНГИ НАРЕЗАНИЯ РЕЗЬБЫ С ОСЕВОЙ КОМПЕНСАЦИЕЙ
- TULEJA ZACISKOWA GWINTUJĄCE Z KOMPENSACJĄ OSIOWĄ
- ZÁVITOŘEZNÁ POUZDRA S AXIÁLNÍ KOMPENZACÍ
- EKSENEL TELAFILI DIŞ ÇEKME BİÇAĞI TUTUCULARI

ET-1- ER



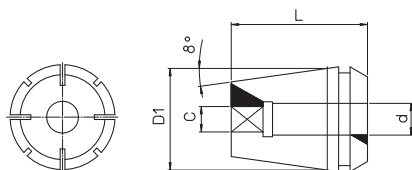
REF.	CODE	d	D ₁	L	E	
ET-1-ER25 (M2 ~ M12)	496086125280	2.8	26	34	8	100451012500
	496086125350	3.5				
	496086125450	4.5				
	496086125600	6				
	496086125700	7				
	496086125900	9				
ET-1-ER32 (M4 ~ M16)	496086132450	4.5	33	43	10	100451033200
	496086132600	6				
	496086132700	7				
	496086132900	9				
	496086132110	11				
	496086132120	12				
ET-1-ER40 (M8 ~ M20)	496086140600	6	41	54	13	100451034000
	496086140700	7				
	496086140900	9				
	496086140110	11				
	496086140120	12				
	496086140140	14				
	496086140160	16				

• On request • Поставляются по запросу • Na zamówienie • Na vyžádání • İsteğe bağılı

- TAPPING COLLETS WITHOUT AXIAL COMPENSATION
- ЗАЖИМЫ ДЛЯ НАРЕЗАНИЯ ВНУТРЕННИХ РЕЗЬБ МЕТЧИ КОМ
- TULEJE ZACISKOWE DO MASKOWANIA SZTYWNEGO
- PEVNÁ ZÁVITOŘEZNÁ POUZDRA
- DIŞ ÇEKME İÇİN KARGABURUN

ER - GB

244



REF.	CODE	(d Ø x c)	DIN 371	DIN 374-376	D ₁	L	
ER 16-GB (M4 ~ M10)	496085116045	4.5 x 3.4	M4	M6	16	27.5	100451011600
	496085116055	5.5 x 4.3	-	M7			
	496085116060	6 x 4.9	M5	M8			
	496085116070	7 x 5.5	M6	M10			
ER 25-GB (M4 ~ M16)	496085125045	4.5 x 3.4	M4	M6	25	34	100451012500
	496085125055	5.5 x 4.3	-	M7			
	496085125060	6 x 4.9	M5	M8			
	496085125070	7 x 5.5	-	M10			
	496085125090	9 x 7	-	M12			
	496085125110	11 x 9	-	M14			
	496085125120	12 x 9	-	M16			
	496085132045	4.5 x 3.4	M4	M6			
496085132055	5.5 x 4.3	-	M7				
ER 32-GB (M4 ~ M20)	496085132060	6 x 4.9	M5	M8	32	40	100451033200
	496085132070	7 x 5.5	-	M10			
	496085132090	9 x 7	-	M12			
	496085132110	11 x 9	-	M14			
	496085132120	12 x 9	-	M16			
	496085132140	14 x 11	-	M18			
	496085132160	16 x 12	-	M20			
	496085140070	7 x 5.5	-	M10			
496085140090	9 x 7	-	M12				
ER 40-GB (M10 ~ M27)	496085140110	11 x 9	-	M14	40	46	100451034000
	496085140120	12 x 9	-	M16			
	496085140140	14 x 11	-	M18			
	496085140160	16 x 12	-	M20			
	496085140180	18 x 14.5	-	M22			
	496085140200	20 x 16	-	M24			
	496085140200	20 x 16	-	M27			

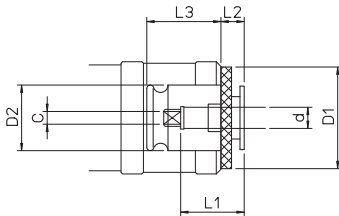
• On request • Поставляются по запросу • Na zamówienie • Na vyžádání • İsteğe bağılı

- For TOPRUN spindles, use ring-nuts shown in the chart
- Для использования на шпинделях TOPRUN использовать зажимные кольца, указанные в таблице
- W przypadku stosowania na wrzecionach TOPRUN, użyć tulei wskazanych w tabeli
- Pro vrřetena TOPRUN použijte kroužkové matice podle grafu
- TOPRUN milleri için tabloda gösterilen halka somunları kullanın



- QUICK CHANGE TAP HOLDERS WITHOUT TORQUE CLUTCH
- БЫСТРОЗАМЕНЯЕМЫЕ ВТУЛКИ БЕЗ ОГРАНИЧЕНИЯ ПАРЫ
- TULEJE SZYBKOZMIENNE BEZ OGRANICZEŃ W ZAKRESIE PARY SIŁ
- DRŽÁKY PRO RYCHLOU VÝMĚNU BEZ MOMENTOVÉ SVORKY
- HIZLI DEĞİŞTİRİLEBİLEN TORK MILLİ KILAVUZ ÇEKME BİÇAĞI TUTUCULARI

BFC



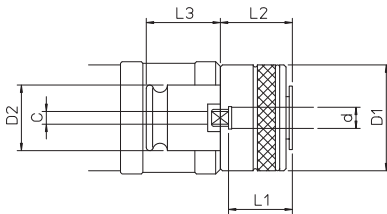
REF.	CODE	(d Ø x c [°])	DIN 371	DIN 374	DIN 376	D ₁	D ₂	L ₁	L ₂	L ₃
BFC1 (M3 - 12)	495061035027	3.5 x 2.7	M3	M5	M5	30	19	17	7	21.5
	495061045034	4.5 x 3.4	M4	M6	M6					
	495061055043	5.5 x 4.3	-	M7	M7					
	495061060049	6 x 4.9	M5 M6	M8	M8					
	495061070055	7 x 5.5	-	M10	M10					
	495061090070	9 x 7	-	M12	M12					
BFC2 (M6 - 20)	495062060049	6 x 4.9	M5 M6	M8	M8	48	31	30	11	35
	495062070055	7 x 5.5	-	M10	M10					
	495062090070	9 x 7	-	M12	M12					
	495062110090	11 x 9	-	M14	M14					
	495062120090	12 x 9	-	M16	M16					
	495062140110	14 x 11	-	M18	M18					
	495062160120	16 x 12	-	M20	M20					
BFC3 (M14 ~ 33)	495063110090	11 x 9	-	M14	M14	70	48	44	14	55.5
	495063120090	12 x 9	-	M16	M16					
	495063140110	14 x 11	-	M18	M18					
	495063160120	16 x 12	-	M20	M20					
	495063180145	18 x 14.5	-	M22 M24	M22 M24					
	495063200160	20 x 16	-	M27	M27					
	495063220180	22 x 18	-	M30	M30					
	495063250200	25 x 20	-	M33	M33					

• On request • Поставляются по запросу • Na zamówienie • Na vyžádání • İsteğe bağılı

- QUICK CHANGE TAP HOLDERS WITH TORQUE CLUTCH
- ВТУЛКИ БЫСТРОЙ СМЕНЫ С ОГРАНИЧЕНИЕМ МОМЕНТА
- TULEJE SZYBKOZMIENNE Z OGRANICZENIEM MOMENTU OBROTOWEGO
- DR BKU PRO RYCHLOU VÝMĚNU S MOMENTOVOU SVORKOU
- HIZLI DEĞİŞTİRİLEBİLEN TORK MILLSİZ KILAVUZ ÇEKME BİÇAĞI TUTUCULARI

BFS

245



REF.	CODE	(d Ø x c [°])	DIN 371	DIN 374	DIN 376	D ₁	D ₂	L ₁	L ₂	L ₃
BFS1 (M3 - 12)	495071035027	3.5 x 2.7	M3	M5	M5	32	19	17	25	21.5
	495071040030	4 x 3	M3.5	-	-					
	495071045034	4.5 x 3.4	M4	M6	M6					
	495071055043	5.5 x 4.3	-	M7	M7					
	495071060049	6 x 4.9	M5 M6	M8	M8					
	495071070055	7 x 5.5	-	M10	M10					
	495071080062	8 x 6.2	M8	-	-					
	495071090070	9 x 7	-	M12	M12					
	495071100080	10 x 8	M10	-	-					
BFS2 (M6 - 20)	495072060049	6 x 4.9	M5 M6	M8	M8	50	31	30	34	35
	495072070055	7 x 5.5	-	M10	M10					
	495072080062	8 x 6.2	M8	-	-					
	495072090070	9 x 7	-	M12	M12					
	495072100080	10 x 8	M10	-	-					
	495072110090	11 x 9	-	M14	M14					
	495072120090	12 x 9	-	M16	M16					
	495072140110	14 x 11	-	M18	M18					
	495072160120	16 x 12	-	M20	M20					
BFS3 (M14 ~ 33)	495073110090	11 x 9	-	M14	M14	72	48	44	45	55.5
	495073120090	12 x 9	-	M16	M16					
	495073140110	14 x 11	-	M18	M18					
	495073160120	16 x 12	-	M20	M20					
	495073180145	18 x 14.5	-	M22 M24	M22 M24					
	495073200160	20 x 16	-	M27	M27					
	495073220180	22 x 18	-	M30	M30					
	495073250200	25 x 20	-	M33	M33					

• On request • Поставляются по запросу • Na zamówienie • Na vyžádání • İsteğe bağılı

D'ANDREA TECHNICAL DATA

- TECHNICAL DATA
- ТЕХНИЧЕСКИЕ ДАННЫЕ
- DANE TECHNICZNE
- TECHNICKÁ DATA
- TEKNİK VERİLER

246

Werkzeugschäfte
Werkzeugwechsel
Ausführung mit Datenträger

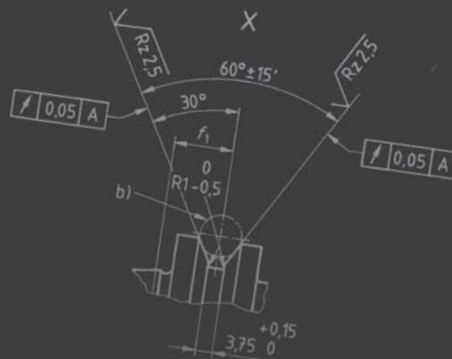
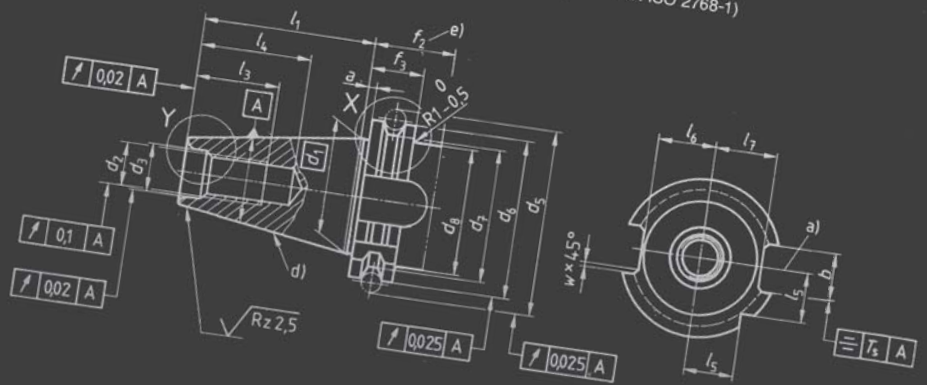
Oktober 1995

DIN
69871-1

Ersatz für Ausgabe 1990-03

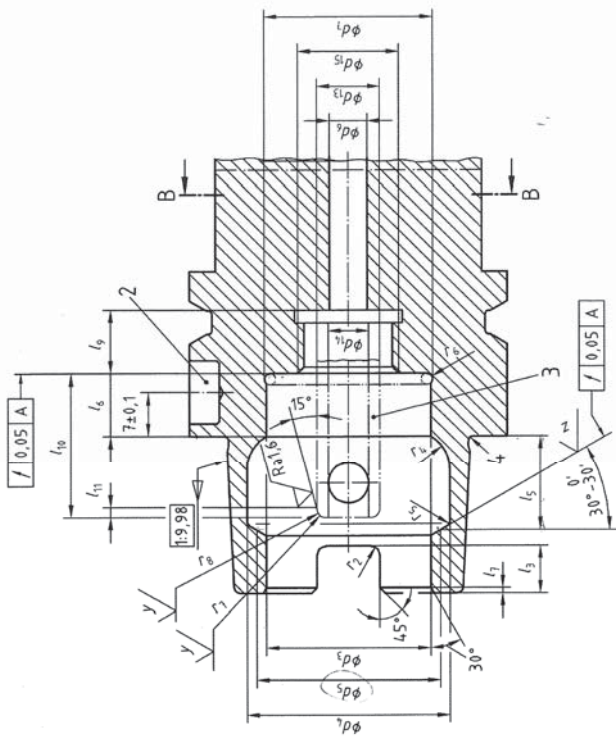
Metallgesellschaft, NC-Maschine

Werkzeuge (FWS),
manuell und automati-
sch
Normung (ISO)
Ergänzung



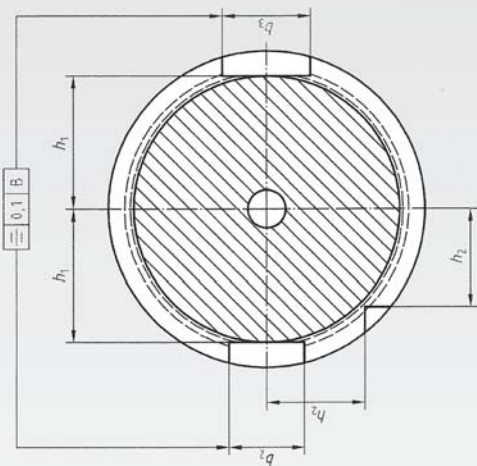
- Lage der Werkzeugschneide bei einschneidigen Werkzeugen
- Kugel Durchmesser 7 mm
- Zentrierung: 60° mit Schutz
- Kegel





Kegel-Hohlschäfte mit Plananlage
 Teil 1: Kegel-Hohlschäfte Form A und Form C
 Maße und Ausführung

Mal 2003
 DIN
 69893-1
 Ersatz für
 DIN 69893-1:1996-01



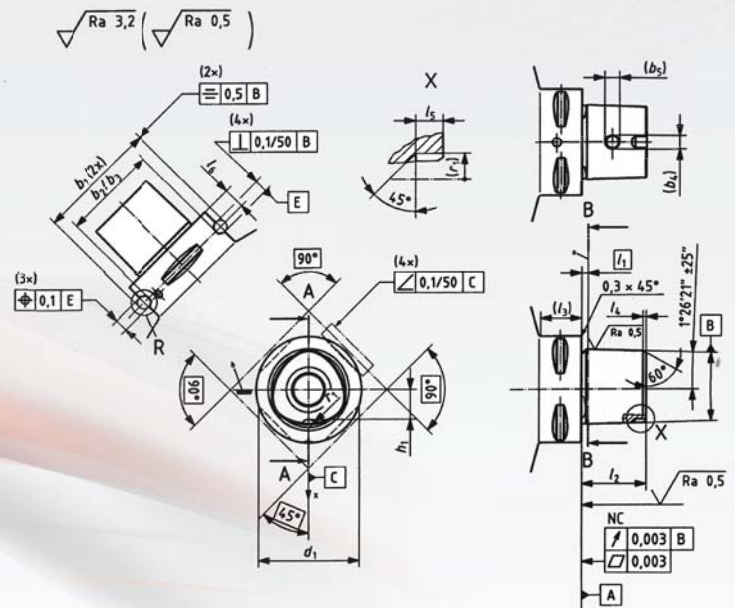
INTERNATIONAL
 STANDARD

ISO
 26623-1

247

First edition
 2008-11-15

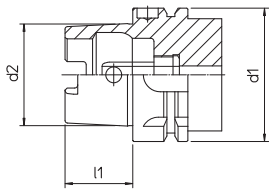
Dimensions in millimetres



- ARBORS STANDARDS
- НОРМЫ ПО ДЕРЖАТЕЛЯМ
- NORMY DOTYCZĄCE PODSTAWOWYCH UCHWYTÓW
- NORMY VŘETEN
- MALAFA STANDARTLARI

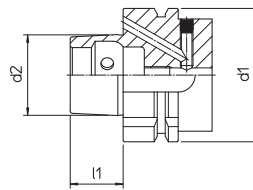
DIN 69893

HSK-A



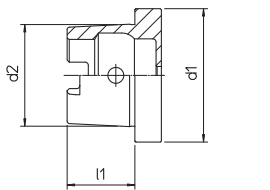
HSK-A	d1	d2	l1
32	32	24	16
40	40	30	20
50	50	38	25
63	63	48	32
80	80	60	40
100	100	75	50

HSK-B



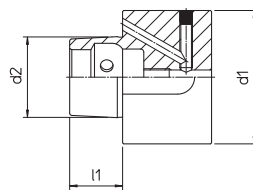
HSK-B	d1	d2	l1
-	-	-	-
40	40	24	16
50	50	30	20
63	63	38	25
80	80	48	32
100	100	60	40

HSK-C



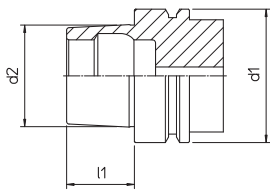
HSK-C	d1	d2	l1
32	32	24	16
40	40	30	20
50	50	38	25
63	63	48	32
80	80	60	40
100	100	75	50

HSK-D



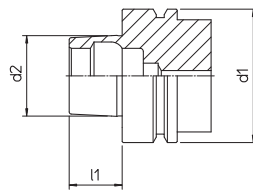
HSK-D	d1	d2	l1
-	-	-	-
40	40	24	16
50	50	30	20
63	63	38	25
80	80	48	32
100	100	60	40

HSK-E



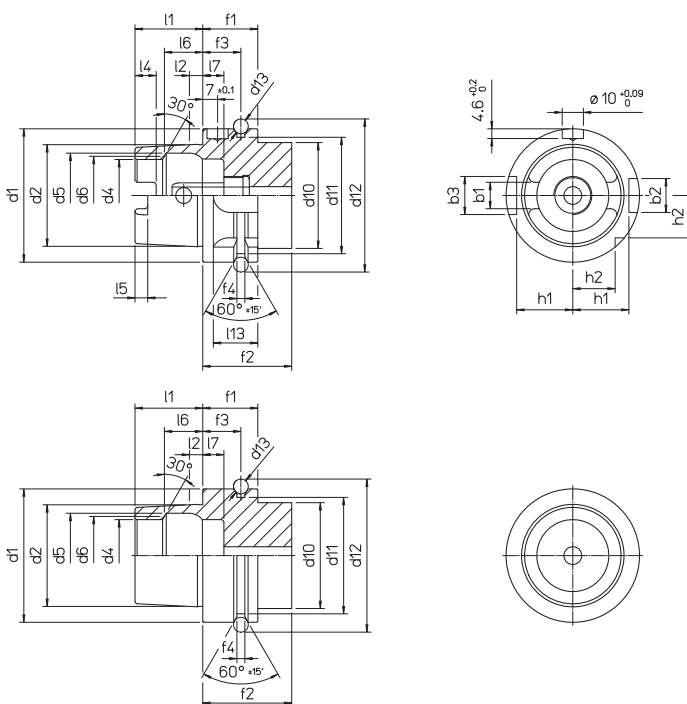
HSK-E	d1	d2	l1
32	32	24	16
40	40	30	20
50	50	38	25
63	63	48	32
-	-	-	-

HSK-F



HSK-F	d1	d2	l1
-	-	-	-
-	-	-	-
50	50	30	20
63	63	38	25
80	80	48	32

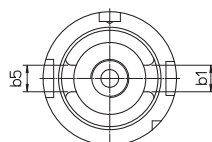
HSK-A HSK-E



HSK	32	40	50	63	80	100
b1 $\begin{smallmatrix} +0.04 \\ -0.04 \end{smallmatrix}$	7.05	8.05	10.54	12.54	16.04	20.02
b2 H10	7	9	12	16	18	20
b3 H10	9	11	14	18	20	22
d1 h10	32	40	50	63	80	100
d2	24 $\begin{smallmatrix} +0.007 \\ +0.005 \end{smallmatrix}$	30 $\begin{smallmatrix} +0.007 \\ +0.005 \end{smallmatrix}$	38 $\begin{smallmatrix} +0.009 \\ +0.006 \end{smallmatrix}$	48 $\begin{smallmatrix} +0.011 \\ +0.007 \end{smallmatrix}$	60 $\begin{smallmatrix} +0.013 \\ +0.008 \end{smallmatrix}$	75 $\begin{smallmatrix} +0.015 \\ +0.009 \end{smallmatrix}$
d4 H10	17	21	26	34	42	53
d5 H11	21	25.5	32	40	50	63
d6	19	23	29	37	46	58
d10 max.	26	34	42	53	67	85
d11 $\begin{smallmatrix} 0 \\ -0.01 \end{smallmatrix}$	26.5	34.8	43	55	70	92
d12 $\begin{smallmatrix} 0 \\ -0.01 \end{smallmatrix}$	37	45	59.3	72.3	88.8	109.75
d13	4		7			
f1 $\begin{smallmatrix} 0 \\ -0.01 \end{smallmatrix}$	20			26		29
f2 min.	35			42		45
f3 ± 0.01	16			18		20
f4 $\begin{smallmatrix} +0.15 \\ 0 \end{smallmatrix}$	2		3.75			
h1 $\begin{smallmatrix} 0 \\ -0.2 \end{smallmatrix}$	13	17	21	26.5	34	44
h2 $\begin{smallmatrix} 0 \\ -0.13 \end{smallmatrix}$	9.5	12	15.5	20	25	31.5
l1 $\begin{smallmatrix} 0 \\ -0.2 \end{smallmatrix}$	16	20	25	32	40	50
l2	3.2	4	5	6.3	8	10
l4 $\begin{smallmatrix} +0.2 \\ 0 \end{smallmatrix}$	5	6	7.5	10	12	15
l5 $\begin{smallmatrix} +0.2 \\ 0 \end{smallmatrix}$	3	3.5	4.5	6	8	10
l6 JS10	8.92	11.42	14.13	18.13	22.85	28.56
l7 $\begin{smallmatrix} 0 \\ -0.1 \end{smallmatrix}$	8		10	10	12.5	12.5
l13	12		19	21	22	24

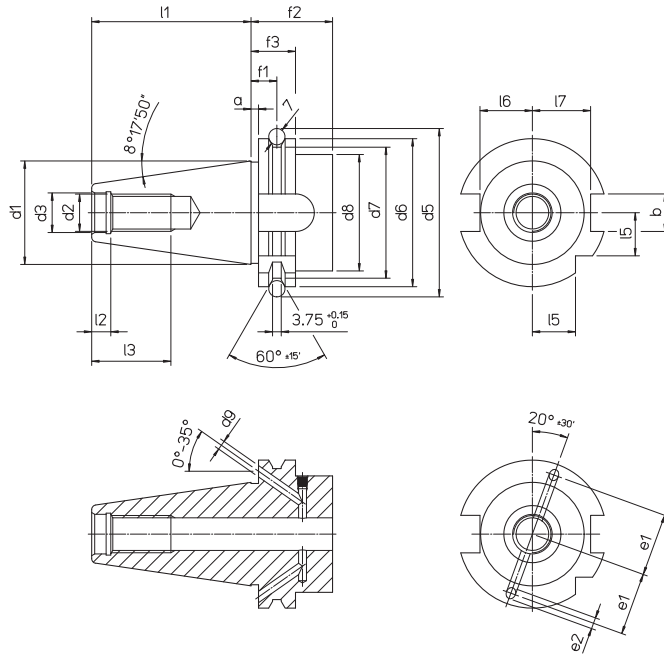
HSK-T

HSK-T	32	40	50	63	80	100
b1 $\begin{smallmatrix} +0.04 \\ -0.04 \end{smallmatrix}$	7.05	8.05	10.54	12.54	16.04	20.02
b5	6.932	7.932	10.425	12.425	15.93	19.91
	$\begin{smallmatrix} +0.03 \\ 0 \end{smallmatrix}$		$\begin{smallmatrix} +0.035 \\ 0 \end{smallmatrix}$			



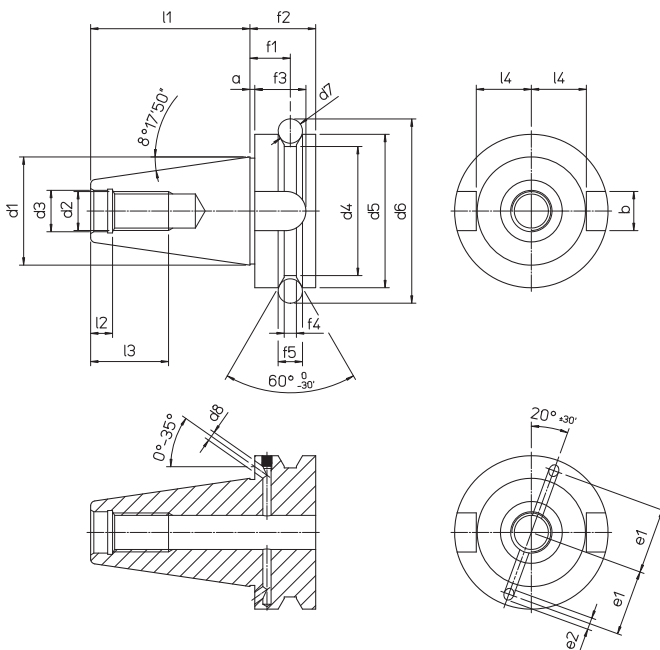
- ARBORS STANDARDS
- НОРМЫ ПО ДЕРЖАТЕЛЯМ
- NORMY DOTYCZĄCE PODSTAWOWYCH UCHWYTÓW
- NORMY VŘETEN
- MALAFA STANDARTLARI

DIN 69871 A-B



ISO	30	40	45	50	60
a ± 0.01	3.2				
b H12	16.1		19.3	25.7	
d1	31.75	44.45	57.15	69.85	107.95
d2	M12	M16	M20	M24	M30
d3 H7	13	17	21	25	32
d5 ± 0.05	59.3	72.3	91.35	107.25	164.75
d6 $\begin{smallmatrix} 0 \\ -0.1 \end{smallmatrix}$	50	63.55	82.55	97.50	155
d7 $\begin{smallmatrix} 0 \\ -0.5 \end{smallmatrix}$	44.3	56.25	75.25	91.25	147.70
d8 max.	45	50	63	80	130
d9	4		5	6	8
e1 ± 0.1	21	27	35	42	66
e2 max.	5		6	7	9.2
f1 ± 0.1	11.1				
f2 min.	35				38
f3 $\begin{smallmatrix} 0 \\ -0.1 \end{smallmatrix}$	19.1				
l1 $\begin{smallmatrix} 0 \\ -0.3 \end{smallmatrix}$	47.8	68.4	82.7	101.75	161.80
l2 $\begin{smallmatrix} +0.5 \\ 0 \end{smallmatrix}$	5.5	8.2	10	11.5	14
l3 min.	24	32	40	47	59
l5 $\begin{smallmatrix} 0 \\ -0.3 \end{smallmatrix}$	15	18.5	24	30	49
l6 $\begin{smallmatrix} 0 \\ -0.4 \end{smallmatrix}$	16.4	22.8	29.1	35.5	54.5
l7 $\begin{smallmatrix} 0 \\ -0.4 \end{smallmatrix}$	19	25	31.3	37.7	59.3

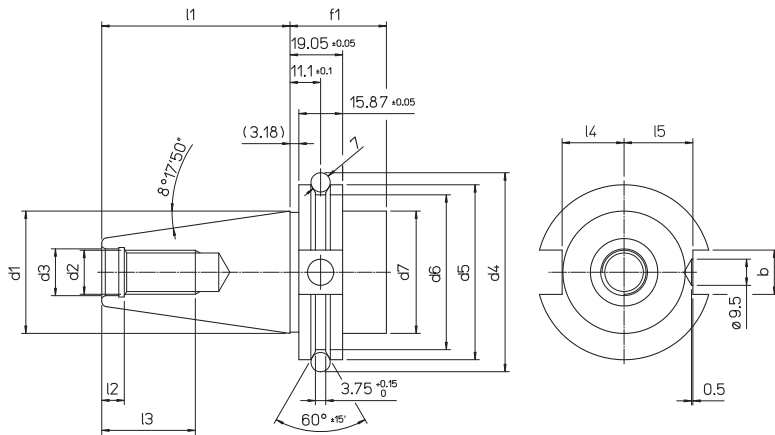
MAS 403 BT A-B



ISO	30	35	40	45	50	60
a ± 0.04	2			3		
b H12	16.1			19.3	25.7	25.7
d1	31.75	38.10	44.45	57.15	69.85	107.95
d2	M 12		M 16	M 20	M 24	M 30
d3 H8	12.5		17	21	25	31
d4	38	43	53	73	85	135
d5 h8	46	53	63	85	100	155
d6	56.144	65.680	75.679	100.215	119.019	180.359
d7	8	10		12	15	20
d8	4			5	6	8
e1 ± 0.1	21	23	27	35	42	66
e2 max.	5			6	7	9.2
f1 ± 0.1	13.6	14.6	16.6	21.2	23.2	28.2
f2	22	24	27	33	38	4.8
f3 min.	17	20	21	26	31	34
f4	4	5		6	7	11
f5 $\begin{smallmatrix} +0.1 \\ 0 \end{smallmatrix}$	8	10		12	15	20
l1 ± 0.2	48.4	56.4	65.4	82.8	101.8	161.8
l2 $\begin{smallmatrix} +0.5 \\ 0 \end{smallmatrix}$	7		9	11	13	16
l3 min.	24		30	38	45	56
l4 $\begin{smallmatrix} 0 \\ -0.2 \end{smallmatrix}$	16.3	19.6	22.6	29.1	35.4	60.1

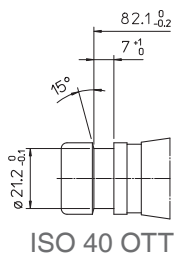
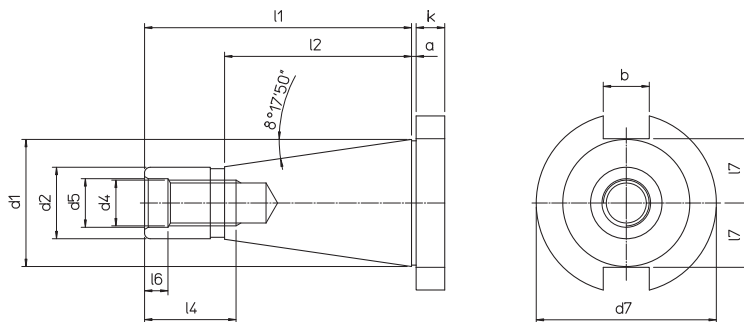
- ARBORS STANDARDS
- НОРМЫ ПО ДЕРЖАТЕЛЯМ
- NORMY DOTYCZĄCE PODSTAWOWYCH UCHWYTÓW
- NORMY VŘETEN
- MALAFA STANDARTLARI

ANSI/CAT



ISO	ANSI/CAT		
	40	45	50
b $^{+0.2}_0$	16.1	19.3	25.7
d1	44.45	57.15	69.85
d2	M 16	M 20	M 24
d3 H7	17	21	25
d4 ± 0.05	72.3	91.35	107.25
d5 $^0_{-0.1}$	63.55	82.55	98.45
d6 $^0_{-0.5}$	56.25	75.25	91.25
d7 ± 0.25	44.45	57.15	69.85
f1 ± 0.25	35		36.5
l1 $^0_{-0.3}$	68.4	82.7	101.75
l2 $^{+0.5}_0$	4.75	5.25	5.75
l3 min.	30	38	45
l4 $^0_{-0.4}$	22.8	29.10	35.50
l5 $^0_{-0.4}$	25	31.3	37.7

DIN 2080

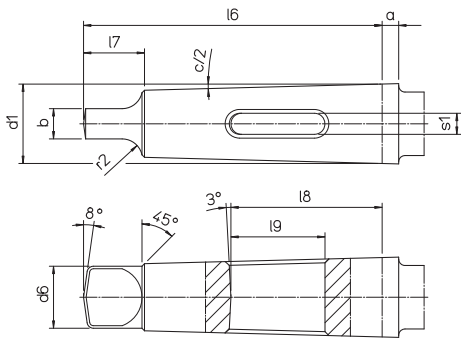


ISO	DIN 2080			
	30	40	45	50
a ± 0.2	1.6		3.2	
b H12	16.1		19.3	25.7
d1	31.75	44.45	57.15	69.85
d2 a10	17.4	25.3	32.4	39.6
d4 ± 0.05	M 12	M 16	M 20	M 24
d5	13	17	21	26
d7 $^0_{-0.4}$	50	63	80	97.5
k ± 0.15	8	10	12	12
l1	68.4	93.4	106.8	126.8
l2	48.4	65.4	82.8	101.8
l4	24	32	40	47
l6 $^{+0.5}_0$	5.5	8.2	10	11.5
l7 max.	16.2	22.5	29	35.3



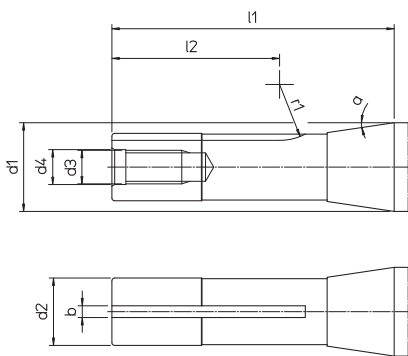
- ARBORS STANDARDS
- НОРМЫ ПО ДЕРЖАТЕЛЯМ
- NORMY DOTYCZĄCE PODSTAWOWYCH UCHWYTÓW
- NORMY VŘETEN
- MALAFA STANDARTLARI

DIN 228/B DIN 1806



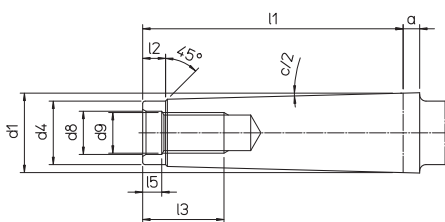
MORSE	4	5
a	6.5	
b H13	11.9	15.9
c/2	1°29'15"	1°30'26"
d1	31.267	44.399
d6 max.	24.5	35.7
l6 $\begin{smallmatrix} 0 \\ -1 \end{smallmatrix}$	117.5	149.5
l7 max.	24	29
l8	59.5	64
l9	37	42
r2	8	10
s1	8.3	12.4

R8



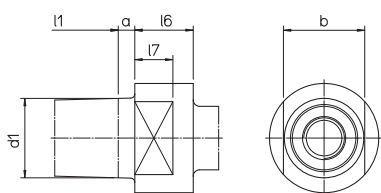
R8	
a	8°25'30"
b ±0.1	4.2
d1	31.750
d2	24.109
d3 $\begin{smallmatrix} -0.007 \\ -0.020 \end{smallmatrix}$	M 12
d4	12.5
l1	101
l2 min.	60
r1	20

DIN 228/A

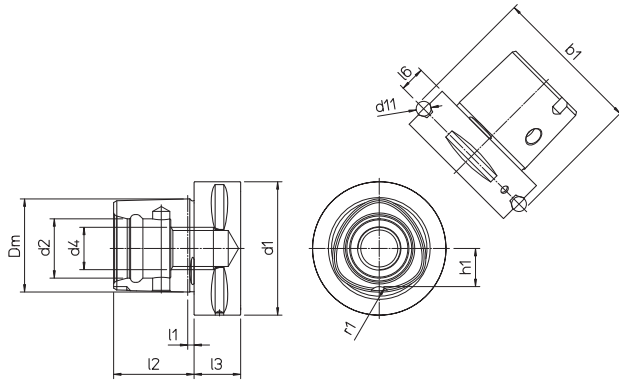


MORSE	4	4 SIP
a	6.5	
b d9	32	
c/2	1°29'15"	
d1	31.267	
d4 max.	25	
d8	17	
d9	M 16	M 14
l1 max.	102.5	
l2	9	
l3	32	
l5 $\begin{smallmatrix} +0.5 \\ 0 \end{smallmatrix}$	8.2	
l6	15	
l7	23	

DIN 2207

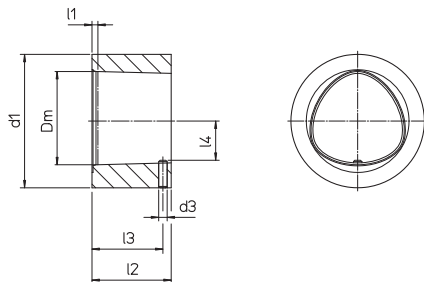


ISO 26623-1



PSC	32	40	50	63	80	100
b1 ±0.1	39	46	59.3	70.7	86	110
Dm	22	28	35	44	55	72
d1 ±0.1	32	40	50	63	80	100
d2 ^{+0.1} / _{-0.05}	15	18	21	28	32	43
d4	M12x1.5	M14x1.5	M16x1.5	M20x2		M24x2
d11	5		7			10
l1	2.5		3			
l2 ±0.1	19	24	30	38	48	60
l3 min	15	20		22	30	36
l6 ±0.15	6	8	10	12		16
h1 ±0.1	9	11	14	18	22.2	29
r1 ⁺² / ₀	3	3	4	5	6	8

ISO 26623-2



PSC	32	40	50	63	80	100
Dm	22	28	35	44	55	72
d1 min	32	40	50	63	80	100
d3	2	2.5	3	4	5	6
l1	2.3	2.3	2.8	2.8	2.8	2.8
l2 F 0.1	18.4	23.4	29.4	37.4	47.4	59.4
l3 F 0.2	16.5	21	26	33.5	43	52.5
l4	9.4 ±0.1	11.5 ±0.2	14.5 ±0.2	18.5 ±0.2	22.8 ±0.2	29.6



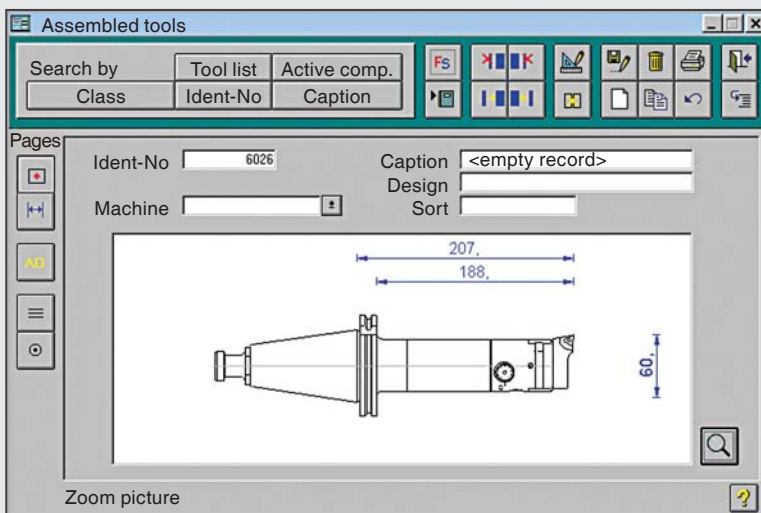
GB It allows to be graphically constructed in a short period of time, showing the complete composition of the Modulhard'Andrea tools, including dimensions, weight and the list of components.

RU Графический генератор, позволяющий в короткое время подобрать полный состав элементов MODULHARD'ANDREA, с указанием размеров, веса и списка компонентов.

PL Generator graficzny pozwalający w krótkim czasie skompletować zestaw narzędziowy z elementów systemu MODULHARD'ANDREA, podając jednocześnie wymiary, masę i kompletną listę wykorzystanych elementów..

CZ Umožňuje konstrukci v grafické podobě v krátké době a se zobrazením úplné sestavy nástrojů Modulhard'Andrea včetně rozměrů, hmotnosti a seznamu komponent.

TR Kısa sürede grafik olarak yapılandırılabilmesi sayesinde, tüm Modulhard'Andrea takımlarını ebatları, ağırlıkları ve bileşen listeleriyle birlikte verir.



Tool assembling		5019	
< empty record >		Machine:	
Diam:	60	Cutting Ø	0
Radius	0	Angle	0
Quant	Description	Design I/Anis	Weight Price
1	ISO7385/2-B ANSI B5.50	45° 20.143.025.1501	0,000 0,00
1	DIN 69871 A-D 50 MH050	41.6.50.01.050.20	2,700 0,00
1	PR 50 80	MH050 65-69.050.0080.0	1,100 0,00
1	TRM 50/50	D 2.5-84 45.50.050.0050.0	1,000 0,00
1	SFTP 50	TPGX 1103 . L 47.050.05.50.001	0,980 0,00
			4,880 0,00

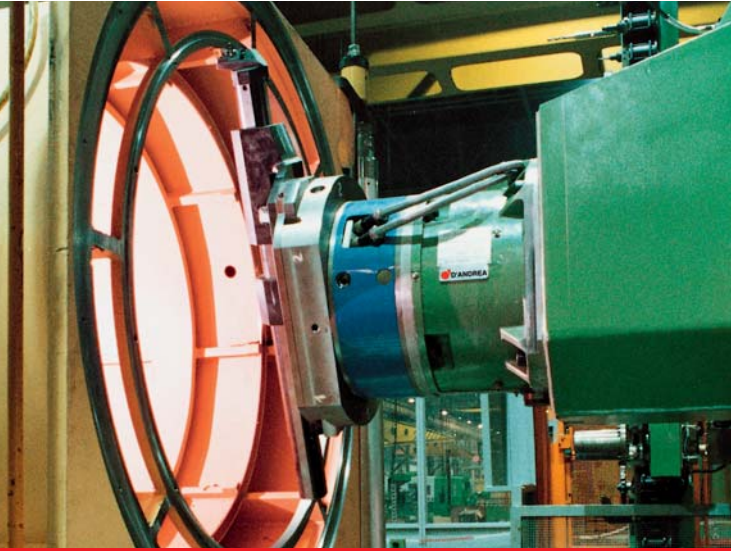
WinTool

15.08.2015



HEADS

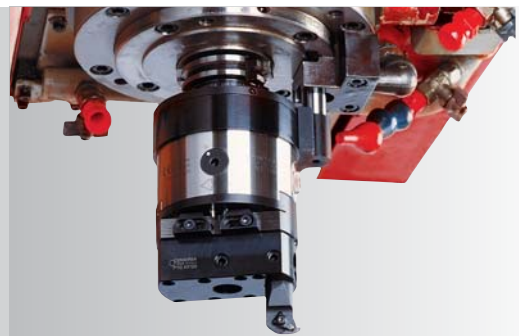
use your head



"Super sized" performance



Turning operations on all machining centres

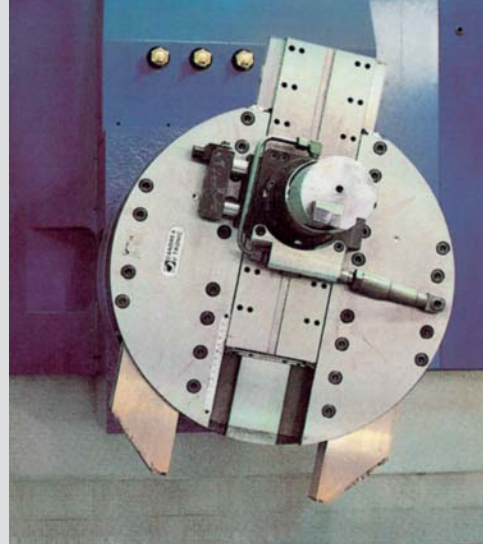
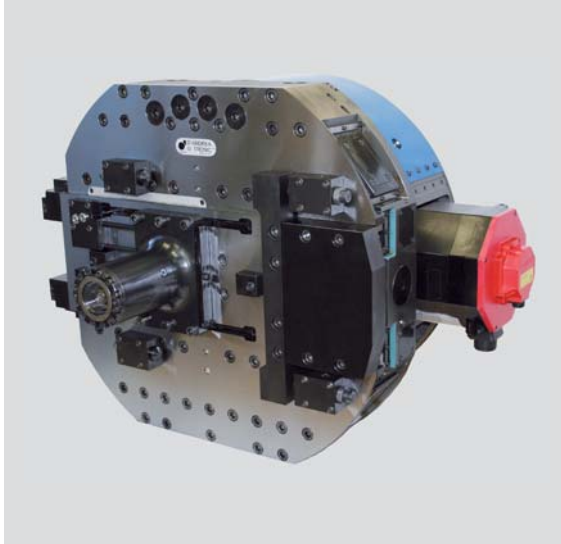


For automatic facing

Unit and transfer solutions



Made in Italy



SPECIAL and SYNCHRO



U-TRONIC



TA-CENTER



TA-TRONIC



U-COMAX



AUTORADIAL



- GB** Medium and large sized NC boring and facing heads for boring machines, machining centers, and special machinery, which are applied manually, automatically, and with palletized systems on boring machines, machining centers, and special machinery.
- RU** Головки больших и средних размеров с балансировкой для торцевания и растачивания с цифровым управлением на расточных станках, устанавливаемые вручную, автоматически и с поддонными системами в обрабатывающих центрах и специальных станках.
- PL** Głowice planujące i wytaczarskie o średnich i dużych rozmiarach, kontrolowane numerycznie, z automatyczną i ręczną wymianą narzędzi z systemami paletowymi, wykorzystywane na wytaczarkach, centrach obróbczych i obrabiarkach specjalnych.
- CZ** Střední a velké NC vyvrtávací hlavy a lícní desky pro vyvrtávačky, obráběcí centra a speciální stroje, které se používají manuálně, automaticky a s paletizačními systémy, na vyvrtáčkách, obráběcích centrech a speciálních strojích.
- TR** Delik açma makineleri, işleme merkezleri ve özel makinelerde paletli sistemlerle manuel ya da otomatik uygulanan delik açma makineleri, işleme merkezleri ve özel makineler için orta ve büyük boy NC delik açma ve dış yüzey hazırlama kafaları.

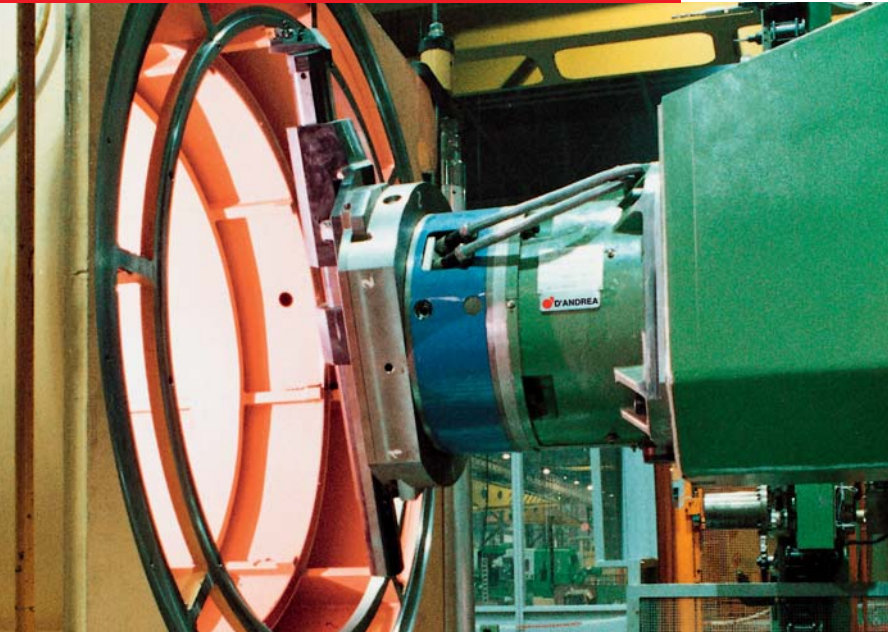
- GB** Numerical control boring and facing heads with automatic balancing on machining centers with automatic tool change and special machines.
- RU** Головки с автоматической балансировкой для торцевания и растачивания с цифровым управлением для обрабатывающих центров с автоматической заменой инструмента и специальных станков.
- PL** Głowice wytaczarskie i planujące z automatycznym wyrównowaniem, kontrolowane numerycznie, wykorzystywane na centrach obróbczych z automatyczną wymianą narzędzi i obrabiarkach specjalnych.
- CZ** Numericky řízené vyvrtávací hlavy a lícní desky s automatickým vyvažováním na obráběcích centrech s automatickou výměnou nástrojů a speciálními stroji.
- TR** Otomatik takım değişimi yapılan makinelerde ve özel makinelerde otomatik dengeleme sunan nümerik kontrollü delik açma ve dış yüzey hazırlama kafaları.

- GB** Heads with automatic balancing for numerical control boring and facing, which are applied manually, automatically, and with palletized systems, on boring machines, machining centres, and special machinery.
- RU** Головки с автоматической балансировкой для торцевания и растачивания с цифровым управлением, устанавливаемые вручную и автоматически и с поддонными системами на расточных станках, в обрабатывающих центрах и специальных станках.
- PL** Głowice wytaczarskie i planujące z automatycznym wyrównowaniem, kontrolowane numerycznie, z automatyczną i ręczną wymianą narzędzi z systemami paletowymi, wykorzystywane na wytaczarkach, centrach obróbczych i obrabiarkach specjalnych.
- CZ** Hlavy s automatickým vyvažováním pro numericky řízené vyvrtávání a čelní soustružení, které se používají manuálně, automaticky a s paletizačními systémy, na vyvrtáčkách, obráběcích centrech a speciálních strojích.
- TR** Delik açma makinelerinde, işleme merkezlerinde ve özel makinelerde paletli sistemlerle manuel ya da otomatik uygulanan nümerik kontrollü delik açma ve dış yüzey hazırlama işleri için otomatik dengelemeli kafalar.

- GB** NC axial control boring and facing heads on transfer machines and machining units, which are rigidly applied to machinery spindles.
- RU** Головки с осевым управлением для торцевания и растачивания с цифровым управлением на агрегатных станках и рабочих единицах которые жестко прилажены к шпинделям станков.
- PL** Głowice wytaczarskie sterowane numerycznie, dedykowane do wykorzystania na urządzeniach typu transfer, jednostkach obróbczych lub maszynach specjalnych. Szttywno nakładane na wrzeciona obrabiarek.
- CZ** NC axiálně řízené vyvrtávací hlavy a lícní desky na obráběcích strojích a obráběcích jednotkách, které se pevně aplikují na vřetena stroje.
- TR** Makine millerine rijit olarak uygulanan aktarma makinelerindeki ve işleme ünitelerindeki NC eksenel kontrollü delik açma ve dış yüzey hazırlama kafaları.

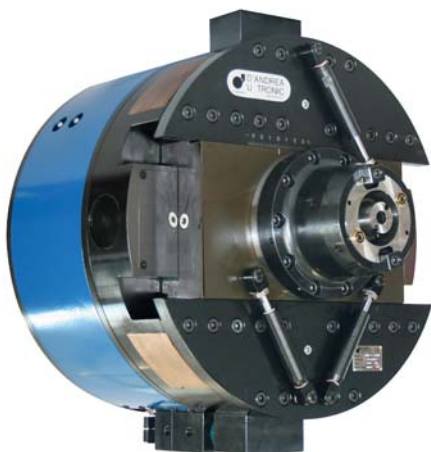
- GB** Heads with automatic feed and rapid return of the slide for facing operations on machining centers and special machinery with automatic tool changing, which does not require electronic interfaces.
- RU** Головки с автоматической подачей и быстрым возвратом салазок для торцевания в обрабатывающих центрах и специальных станках с автоматической заменой инструмента, не нуждающихся в электронном интерфейсе.
- PL** Głowice wytaczarskie z automatycznym posuwem mechanicznym i szybkim powrotem sań narzędziowych. Wykorzystywane na centrach obróbczych i obrabiarkach specjalnych z automatyczną zmianą narzędzi. Nie wymagają podłączenia do elektroniki obrabiarki.
- CZ** Hlavy s automatickým posuvem a rychlým návratem šoupátka pro čelní soustružení na obráběcích centrech a speciálních strojích s automatickou výměnou nástrojů, které nevyžadují elektronická rozhraní.
- TR** Elektronik arayüzler gerektirmeyen, otomatik takım değişimi yapılan özel makinelerde ve işleme merkezlerinde dış yüzey hazırlama işleri için otomatik beslemeli ve hızlı sürgü dönüştürücü kafalar.

- GENERAL FEATURES
- ОБЩИЕ ХАРАКТЕРИСТИКИ
- DANE OGÓLNE
- OBECNÉ VLASTNOSTI
- GENEL ÖZELLİKLER



“Super sized” performance

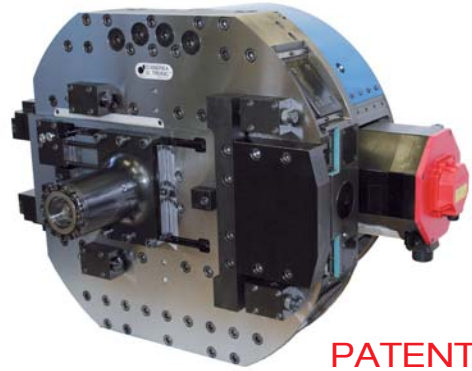
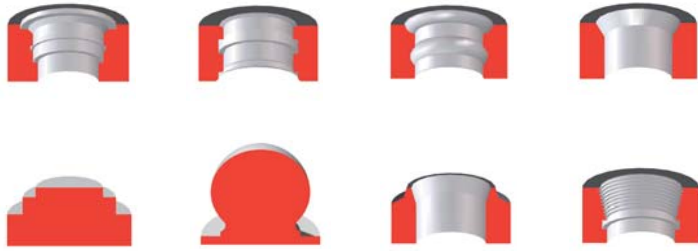
258



GB U-TRONIC are medium and large sized CN heads that are connected to the U axis of the CNC in the tooling machine for outer facing, inner facing, back-facing, cylindrical and conical boring and threading, concave and convex radius machining through the interpolation with the other axles of the tooling machine. They can be applied manually or automatically and with pallet systems on boring machines, machining centres and special machines. They are constructed in 6 standard models from $\varnothing 360$ to $\varnothing 1000$ mm. All these include an internal passage for coolant. Special versions of U-TRONIC up to 1600 in diameter, with two slides or with counterweights for self-balancing, may be supplied if required. Fixed two tool holders may be applied to the slide, with either manual or automatic tool changers.

RU U-TRONIC - это головки средних и больших размеров с числовым управлением, которые связаны с осью U ЧПУ станка для операций внутренней, внешней и обратной торцовки, цилиндрической и конической расточки и резьбы, вогнутых и выпуклых радиусов, с интерполяцией с другими осями станка. Они применяются вручную или автоматически и с поддонными системами на расточных станках, обрабатывающих центрах и специальных станках. Они выполнены в 6 моделях от $\varnothing 360$ до $\varnothing 1000$ мм, все с внутренним подводом СОЖ. U-TRONIC в специальном исполнении до 1600 мм, исполнении с двумя салазками или противовесами для автоматической балансировки могут быть предоставлены по запросу.





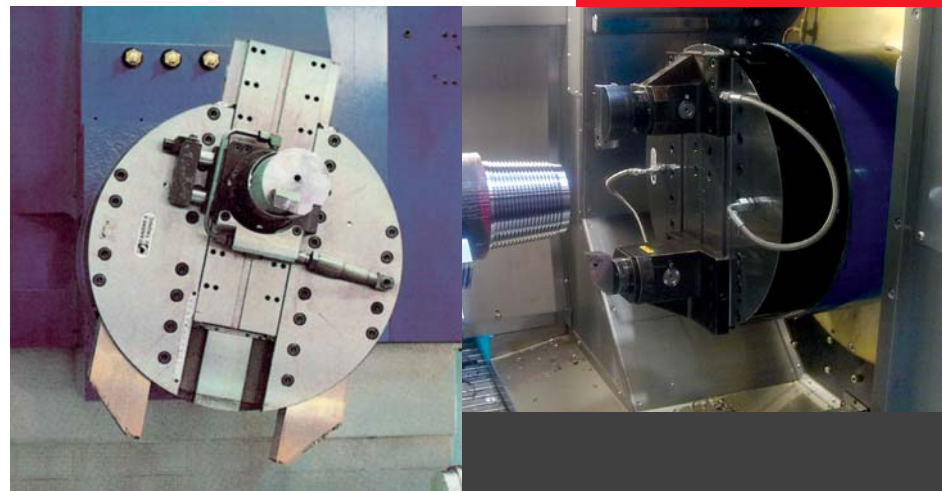
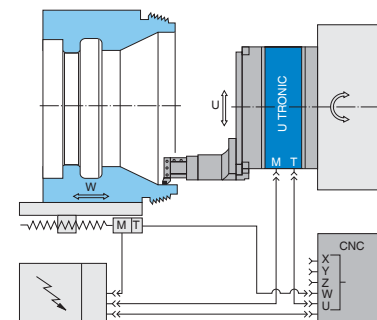
PATENTED



PL U-TRONIC to głowice CN o średnich i dużych rozmiarach, przyłączane do osi U urządzenia CNC obrabiarki, przeznaczone do wykonywania czynności związanych z planowaniem powierzchni zewnętrznych i wewnętrznych, wykonywaniem rowków, wytoczeń, gwintów cylindrycznych i stożkowych, promieni wklęsłych i wypukłych, poprzez interpolację z pozostałymi osiami obrabiarki. Nakładane są ręcznie, automatycznie oraz przy użyciu systemów paletowych na wytaczarki, centra obróbcze oraz specjalne maszyny. Dostępne są w 6 wersjach, od $\varnothing 360$ do $\varnothing 1000$ mm, Wszystkie z wewnętrznym przelotem cieczy chłodzącej. U-TRONIC w wersji specjalnej do $\varnothing 1600$ mm, z dwoma saniami lub przeciwcieżarem do samowyrównoważania, dostarczane są na życzenie. Na sanie można nałożyć stałe oprawki narzędziowe, oprawki z ręczną lub automatyczną zmianą narzędzia.

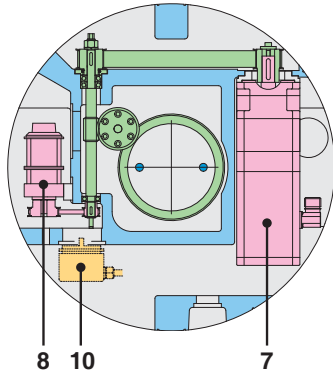
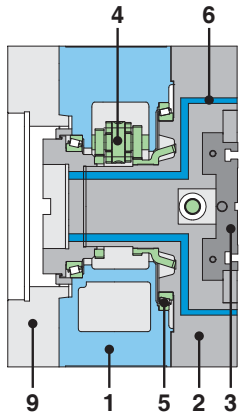
CZ U-TRONIC jsou střední a velké CN hlavy připojené na osu U řízení CNC v obráběcích strojích pro provádění čelního obrábění vnějších povrchů, čelního obrábění vnitřních povrchů, zpětného čelního obrábění, válcového a kónického vrtání a závitování, konkávního a konvexního poloměrového obrábění pomocí interpolace s ostatními osami obráběcího stroje. Lze je aplikovat manuálně nebo automaticky s paletovými systémy na vrtacích strojích, obráběcích centrech a speciálních strojích. Mohou být navrženy v 6 modelech od $\varnothing 360$ do $\varnothing 1000$ mm. Všechny zahrnují vnitřní průchod pro chladicí kapalinu. Na požádání lze dodat speciální do $\varnothing 1600$ mm, verzi U-TRONIC se dvěma šoupátky nebo protizávažími pro vyvažování. Na šoupátko lze aplikovat pevné nástrojové držáky buď s manuální nebo automatickou výměnou nástrojů.

TR U-TRONIC ürün gamındaki ürünler, işleme takımının diğer aksları ile ara kutuplama yapılarak iç/dış yüzey hazırlama, arka yüzey hazırlama, silindirik/konik diş ve delik açma ve konkav/konvex yarıçap işleme gibi işlemlerde kullanılan, CNC'nin U eksenine bağlanmış orta ve büyük boy CN kafalandır. Bunlar, paletli sistemler aracılığıyla delik açma makinelerine, işleme merkezlerine ve özel makinelere manuel ya da otomatik olarak uygulanabilir. $\varnothing 360$ ila $\varnothing 1000$ mm arasında çaplara sahip 6 model mevcuttur. Bu modellerin her biri, soğutma sıvısı için bir iç kanala sahiptir. Gerektiğinde, otomatik dengeleme için karşı ağırlıklı veya iki kızaklı özel kadanyla $\varnothing 1600$ mm, U-TRONIC versiyonları da tedarik edilebilir. Sabit takım tutucular, otomatik veya manuel takım değiştiricilerle kazağa uygulanabilir.



D'ANDREA U-TRONIC

- COMPONENTS
- СОСТАВЛЯЮЩИЕ
- ELEMENTY SKŁADOWE
- SOUČÁSTI
- BİLEŞENLER



- 1 • Stationary body
• неподвижный корпус
• Korpus stały
• Stacionárni díl
• Sabit gövde
- 2 • Rotating body
• Вращающийся корпус
• Korpus obrotowy
• Rotující díl
• Döner gövde
- 3 • Tool slide
• Салазки резцедержателя
• Śanie narzędziowe
• Šoupátko nástroje
• Takım kazağı
- 4 • Gears
• Кинематическая цепь
• Mechanizm kinematyczny
• Převod
• Dişliler
- 5 • Bearings
• Подшипники
• Łożysko
• Ložiska
• Yataklar
- 6 • Coolant way
• Подвод СОЖ
• Doprrowadzanie cieczy chłodzącej
• Průtok chladicí kapaliny
• Soğutma sıvısı kanalı
- 7 • Servomotor
• Сервомотор
• Serwomotor
• Servomotor
• Servomotor
- 8 • Limit switches
• Концевой микровыключатель
• Mikrowyłączniki krańcowe
• Limitní spínače
• Limit anahtarları
- 9 • Flange
• Фланец
• Kołnierz
• Příruba
• Flanş
- 10 • Encoder up on request
• Энкoder по запросу
• Enkoder na zamówienie
• Kodér na vyžádání
• Kodlayıcı isteğe bağılı mevcuttur



260

GB PREARRANGEMENTS. U-TRONIC heads are prearranged with holes that allow coolants to pass through. It is also possible to enter air from the holes provided on the fixed body, in order to pressurize the motor and limit switch area, to automatically lubricate the internal kinematic motion and lubricate the slide guiding rails and lead screw with sprayed oil.

RU ПОДГОТОВКА. В головках U-TRONIC предусмотрены отверстия, которые позволяют прохождение охлаждающей жидкости. Кроме того, из предусмотренных отверстий на неподвижном корпусе возможно провести воздух для создания давления в отсеке двигателя и концевых выключателей, для автоматической смазки в механизме внутренней кинематической цепи и для смазки распыленным маслом направляющие скольжения и ходового винта.

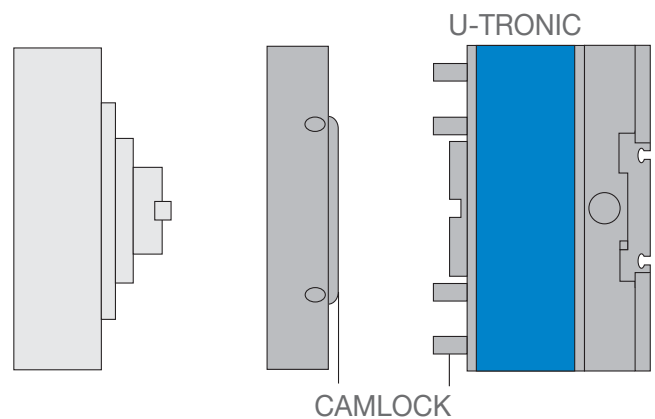
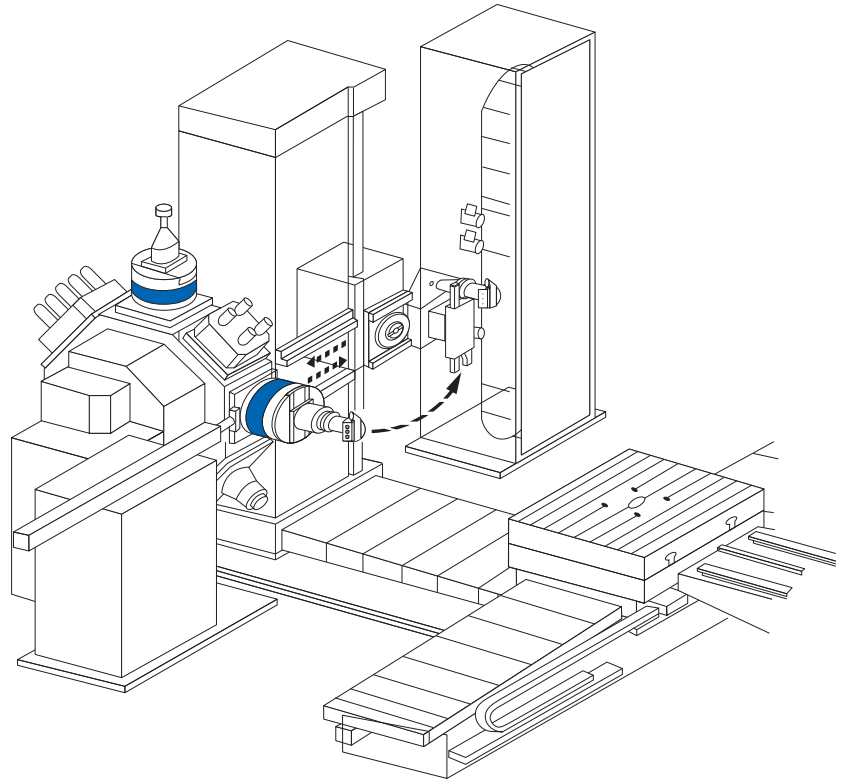
PL PRZYSTOSOWANIE. W głowicach U-TRONIC wykonane zostały otwory, przez które przepływa ciecz chłodząca. Ponadto, przez otwory wykonane w korpusie stałym można przepuścić powietrze niezbędne do zwiększania ciśnienia w strefie silnika i ogranicznika, wykonywać automatyczny cykl smarowania wewnętrznych mechanizmów kinematycznych oraz smarować (rozpylonym olejem) prowadnice sań oraz śrubę pociągową.

CZ PŘEDBĚŽNÁ OPATŘENÍ. HLAVY U-TRONIC jsou předem připraveny s otvory umožňujícími průchod chladicí kapaliny. Je rovněž možné vhnět vzduch z otvorů na pevném těle s cílem zvýšit tlak motoru a oblasti spínačů, automaticky promazávat vnitřní kinematický pohyb a mazat vodící kolejničky šoupátka a vodící šroub rozstříkem oleje.

TR ÖN AYARLAMALAR. U-TRONIC kafalar, soğutma sıvısının geçmesine imkan tanıyan deliklerle önceden ayarlanmıştır. Ayrıca, motora ve limit anahtarı bölgesine basınç uygulamak, dahili kinematik hareketi otomatik olarak yağlamak, kazağın klavuz raylarını ve vida açma milini yağ püskürtmeyle yağlamak için havanın sabit gövdedeki deliklerden geçmesini sağlamak da mümkündür.



- APPLICATION
- ПРИМЕНЕНИЕ
- APLIKACJA
- POUŽITÍ
- UYGULAMA



GB U-TRONIC is applied manually or automatically using a flange for fastening to the machine tool and a plate for the rotation of the rotating body. It is applied manually using a flange for fastening with a cam lock quick coupling, or automatically with a palletized system and special connectors. U-TRONIC can also be fitted with an automatic tool change toolholder changer of the tool mounted on the slide to obtain total automation.

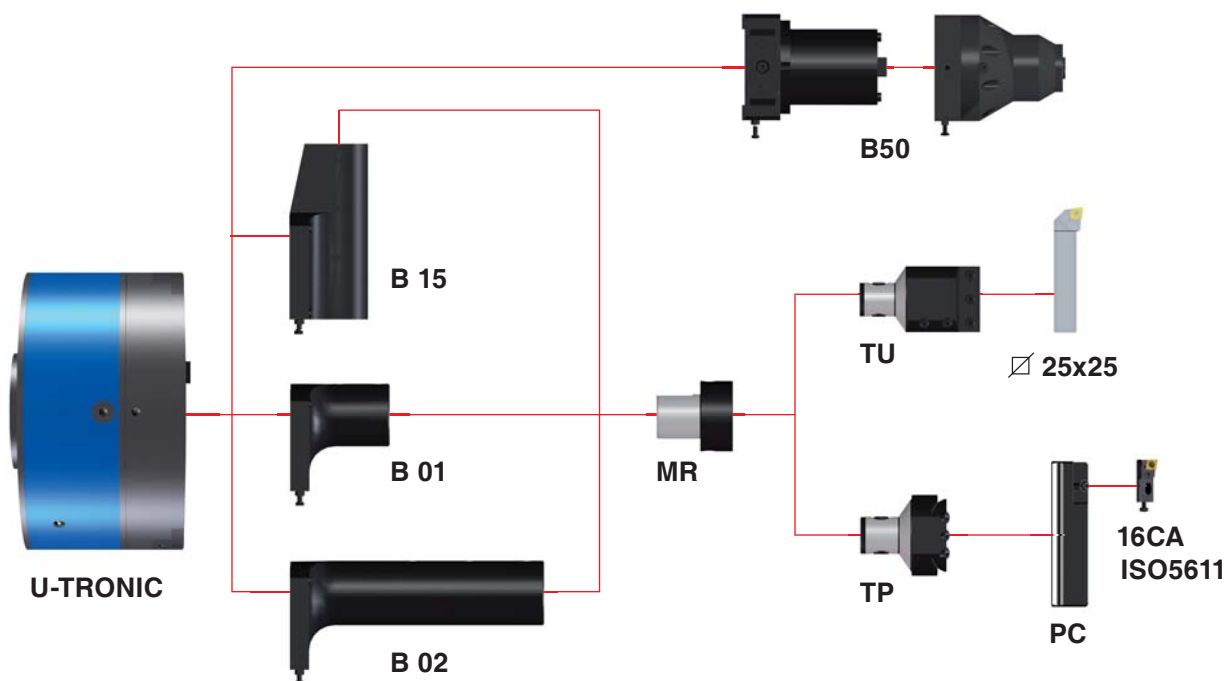
RU U-TRONIC устанавливается вручную или автоматически с помощью фланца для крепления к станку и пластины для вращения вращающегося тела. Он устанавливается вручную с помощью фланца для крепления с поворотным замком быстрого соединения или автоматически с поддонными системами и специальными переходниками. U-TRONIC может также быть оснащен патроном с автоматической сменой инструмента, который крепится на салазках для достижения полной автоматизации.

PL Głowice U-TRONIC nakłada się ręcznie lub automatycznie przy użyciu kołnierza montażowego i dysku wprowadzającego w ruch korpus obrotowy. Nakładanie ręczne następuje przy pomocy kołnierza montażowego z szybkozłączem typu camlock, nakładanie automatyczne przy użyciu systemów paletowych i stosownych łączników. Głowice U-TRONIC mogą być wyposażone w oprawkę narzędziową z automatyczną zmianą narzędzia, zamontowaną na saniach. W ten sposób uzyskujemy kompletną automatyzację procesu obróbczego.

CZ U-TRONIC se aplikuje manuálně nebo automaticky pomocí příruby pro upnutí obráběcího stroje a desky pro rotaci rotačního tělesa. Manuálně se použije pomocí příruby pro upnutí s rychlou spojkou bloku vačky, nebo automaticky s paletizovaným systémem a speciálními konektory. U-TRONIC je také možno upevnit pomocí zařízení na automatickou výměnu nástrojových držáků nástroje připevněného na šoupátko s cílem zajistit úplnou automatizaci.

TR U-TRONIC, işleme takımına sabitleme için bir flanş ve döner gövdenin dönüşünü temin etmek için bir plaka kullanılarak manuel ya da otomatik olarak uygulanabilir. Kam kilidi çabuk kaplı ile sabitleme için bir flanş kullanılarak manuel olarak ya da paletli sistem ve özel konektörler kullanılarak otomatik olarak uygulanabilir. U-TRONIC, yüzde yüz otomasyonun sağlanması için, kazağın üzerine monte edilmiş takım/takım tutucunun otomatik değiştirilmesini sağlayan bir ekipmanla da donatılabilir.

UT 3-360 / 5-500 / 5-630 / 5-800 / 8-800 / 8-1000 S



K03



1 B 01
1 B 02
1 B 15
1 MR
1 TU

REF.	CODE
KIT K03 UT 3-360 S	501703259300
KIT K03 UT 5-500 / 5-630 / 5-800 S	501705009300
KIT K03 UT 8-800 / 8-1000 S	501708009300

B50



fig.1

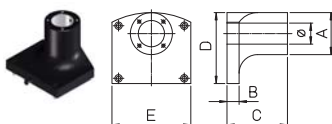
U-TRONIC	REF.
UT 3-360 S	B50 HSK - A63 - A100
UT 5-500 / UT 5-630 / 5-800 S	B50 DIN69871-A-B 50
UT 8-800 / 8-1000 S	B50 MAS BT50

- Special and HYDRAULICS B50 (fig.1) toolholders for automatic tool change, can be provided on request.
- По запросу поставляются B50 нестандартные и ГИДРОДИНАМИЧЕСКИЕ (рис.1)
- Na żądanie dostarczane są specjalne i OLEODYNAMICZNE B50 (rys.1)
- Na vyžádání lze dodat speciální B50 a HYDRAULIKU (obr.1)
- Özel B50'ler ve hidrolik (şek.1) elemanlar isteğe bağlı olarak mevcuttur.



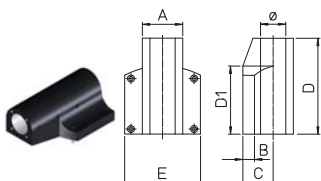
- ACCESSORIES
- КОМПЛЕКТУЮЩИЕ
- WYPOSAŻENIE DODATKOWE
- PŘÍSLUŠENSTVÍ
- AKSESUARLAR

B01 / B02



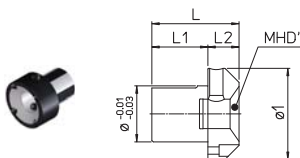
U-TRONIC	REF.	CODE	Ø _{H7}	A	B	C	D	E	kg.
UT 3-360 S	B01	443005001150	50	80	23	100	135	150	5.5
	B02	443005002750				260			8.5
UT 5-500 / 5-630 / 5-800 S	B01	443006301550	63	100	30	155	170	200	11
	B02	443006303650				400			19
UT 8-800 / 8-1000 S	B01	443008002300	80	130		230	200	250	25
	B02	443008007200				720			60

B15



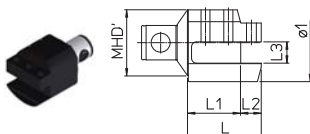
U-TRONIC	REF.	CODE	Ø _{H7}	A	B	C	D	D1	E	Kg.
UT 3-360 S	B15	445005001900	50	80	23	60	190	135	150	3.7
UT 5-500 / 5-630 / 5-800 S		445006302500	63	100	30	70	270	170	200	7.5
UT 8-800 / 8-1000 S		445008003001	80	130	30	85	300	200	250	34

MR



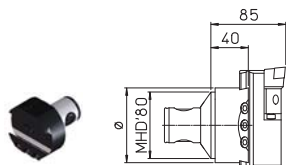
U-TRONIC	REF.	CODE	MHD'	Ø _{H7}	Ø1	L	L1	L2	Kg.
UT 3-360 S	MR 50/80.80	450208001060	80	50	80	95	50	45	1.6
UT 5-500 / 5-630 / 5-800 S	MR 63/98.80	450209801060		63	98	105	60		3
UT 8-800 / 8-1000 S	MR 80/130.80	450213001240		80	130	125	80	6	
	MR 80/130.110	450213001340	110	80	185	105	9		

TU



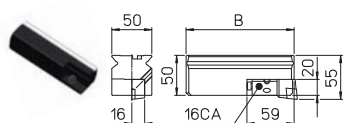
U-TRONIC	REF.	CODE	MHD'	Ø1	L	L1	L2	L3	Kg.
UT 3-360 S	TU 80/95.25	460508025001	80	95	90	65	25	32	4
UT 5-500 / 5-630 / 5-800 S									
UT 8-800 / 8-1000 S									

TP



U-TRONIC	REF.	CODE	Ø	Kg.
UT 3-360 S	TP 80/90.50	460408050001	90	2.3
UT 5-500 / 5-630 / 5-800 S				
UT 8-800 / 8-1000 S	TP 80/125.50	460408050002	125	3.2

PC



U-TRONIC	REF.	CODE	Ø	Kg.
UT 3-360 S	PC 11.50	433050160950	95	1.3
UT 5-500 / 5-630 / 5-800 S	PC 12.50	433050161350	135	2
	PC 13.50	433050162000	200	3.2
UT 8-800 / 8-1000 S	PC 14.50	433050163000	300	5

PTGNL 16CA-16

CODE 483010161001

PCLNL 16CA-12

CODE 483010161002

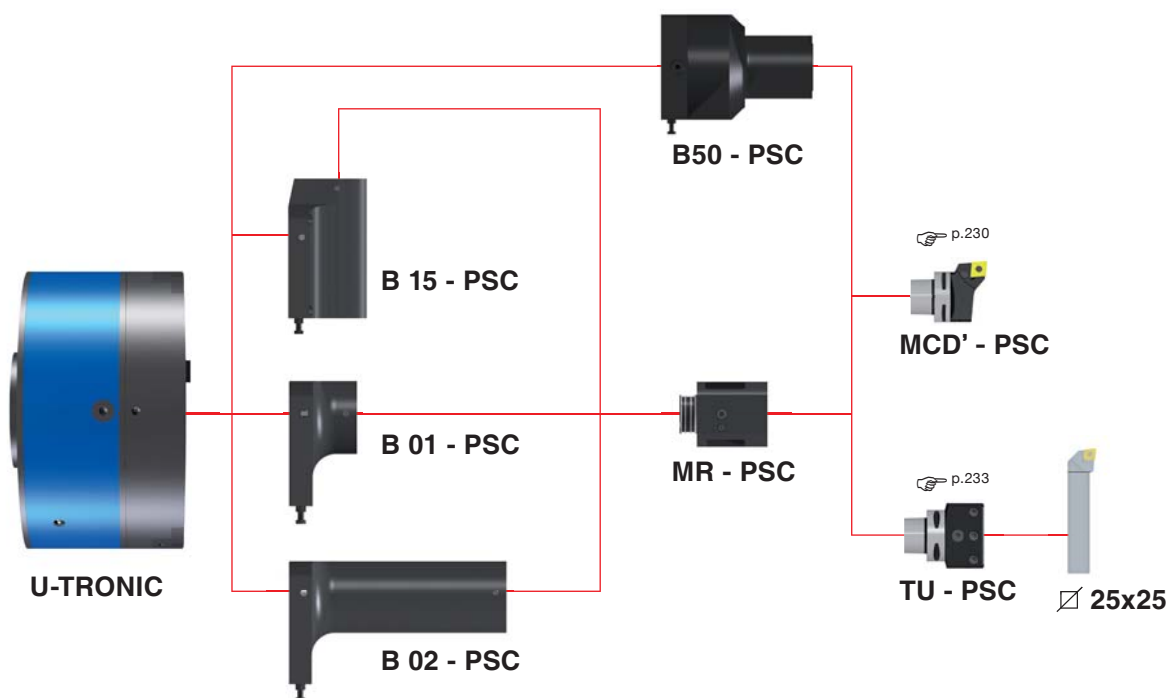
PSSNL 16CA-12

CODE 483010161003

PSRNL 16CA-12

CODE 483010161004

UT 3-360 / 5-500 / 5-630 / 5-800 / 8-800 / 8-1000 S



K03 - PSC



1 B 01 - PSC
1 B 02 - PSC
1 B 15 - PSC
1 MR - PSC

REF.	CODE
KIT K03 PSC 63 UT 3-360 S	501703259304
KIT K03 PSC 63 UT 5-500 / 5-630 / 5-800 S	501705009310
KIT K03 PSC 80 UT 5-500 / 5-630 / 5-800 S	501705009302
KIT K03 PSC 80 UT 8-800 / 8-1000 S	501708009301

B50 - PSC



U-TRONIC	REF.
UT 3-360 S	B50 PSC 63-80
UT 5-500 / UT 5-630 / 5-800 S	
UT 8-800 / 8-1000 S	

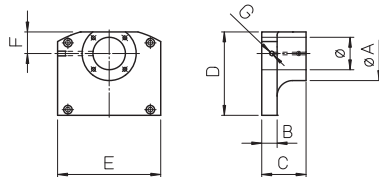
- Special and HYDRAULICS B50 toolholders for automatic tool change, can be provided on request.
- По запросу поставляются B50 нестандартные и ГИДРОДИНАМИЧЕСКИЕ.
- Na żądanie dostarczane są specjalne i OLEODYNAMICZNE B50.
- Na vyžádání lze dodat speciální B50 a HYDRAULIKU.
- Özel B50'ler ve hidrolik elemanlar isteğe bağlı olarak mevcuttur.



- ACCESSORIES
- КОМПЛЕКТУЮЩИЕ
- WYPOSAŻENIE DODATKOWE
- PŘÍSLUŠENSTVÍ
- AKSESUARLAR

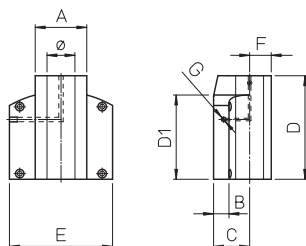
PSC

B01 / B02 - PSC



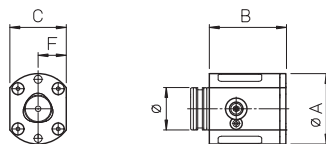
U-TRONIC	REF.	CODE	ØH7	A	B	C	D	E	F	G	kg.
UT 3-360 S	B01 - PSC 63	443005000310	63	105	23	31	137	150	42	G1/8'	3.5
	B02 - PSC 63	443005001610				161					10
UT 5-500 / 5-630 / 5-800 S	B01 - PSC 63	443006302002	80	130	30	86	162	200	50	G1/8'	11
	B02 - PSC 63	443006304452				331					20
	B01 - PSC 80	443006302001				71	185	180			10.5
	B02 - PSC 80	443006304451				316	235	30			
UT 8-800 / 8-1000 S	B01 - PSC 80	443008001460	80	130	30	146	182	250	50	G1/4'	16
	B02 - PSC 80	443008006360				636					53

B15 - PSC



U-TRONIC	REF.	CODE	ØH7	A	B	C	D	D1	E	F	G	Kg.
UT 3-360 S	B15 - PSC 63	445005001210	63	100	23	60	121	-	150	42	G1/8'	8
UT 5-500 / 5-630 / 5-800 S	B15 - PSC 63	445006303152			30	70	201	170	200			6.5
	UT 8-800 / 8-1000 S	B15 - PSC 80	445006303911	80	130	39	85	262	200	180	50	G 1/4'
B15 - PSC 80		445008003005	30			300	200	250	33			

MR - PSC

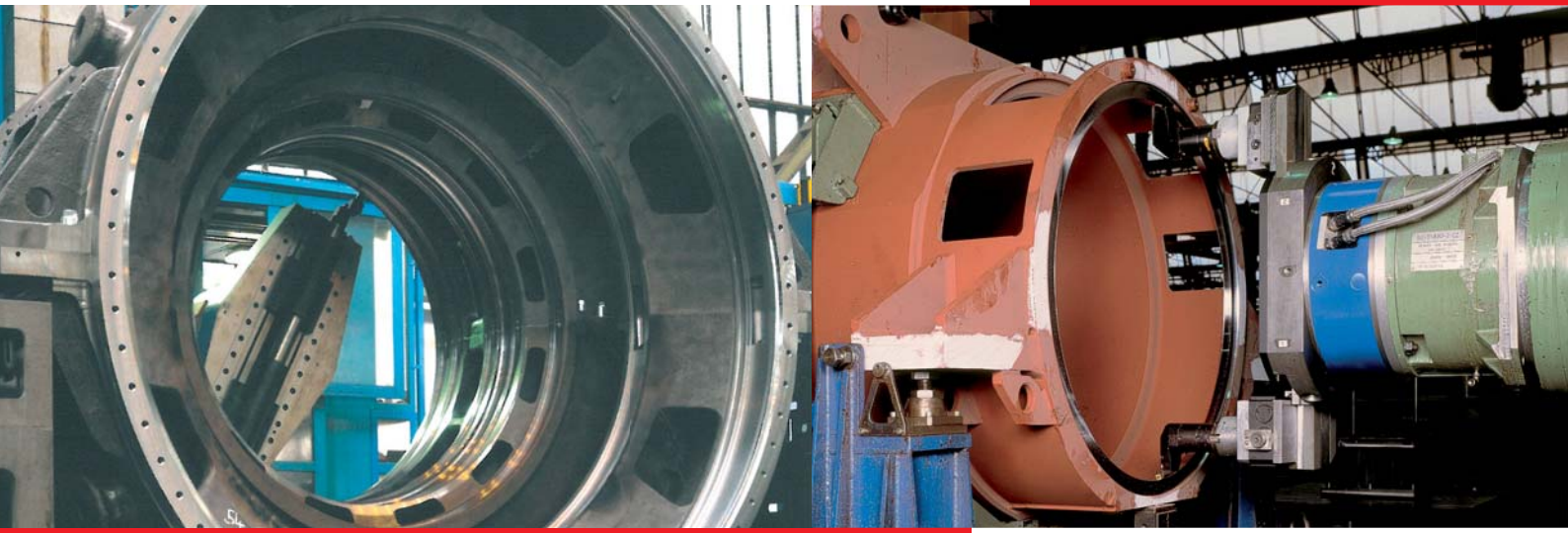


U-TRONIC	REF.	CODE	Øg6	A	B	C	F	Kg.
UT 3-360 S	MR - PSC 63	450206000630	63	105	114	84	42	6.5
UT 5-500 / 5-630 / 5-800 S								
UT 5-500 / 5-630 / 5-800 S	MR - PSC 80	450208000800	80	130	129	100	50	11
UT 8-800 / 8-1000 S								

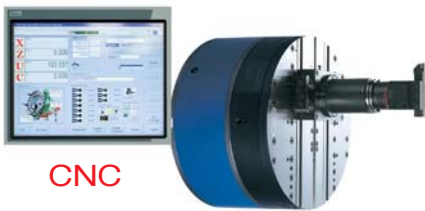
- COMMAND
- УПРАВЛЕНИЕ
- STEROWANIE
- OVLÁDÁNÍ
- KOMUT

GB There are two types of controls for U-TRONIC heads: - The first involves a direct connection to the "U" axis of the NC of the machine tool and allows for all types of cylindrical and conical boring, facing, threading, corner rounding and spherical operations to be performed. - The second involves the use of a simple U-CONTROL positioner with wireless REMOTE, which can be connected to the M functions of the machine to receive start signals of the different operations programmed on the REMOTE-CONTROL. This solution allows all types of turning, boring, facing, internal, external, threading, and conical operations to be performed **but spherical operations**.

RU Управление головками TA-Tronic может осуществляться двумя способами: Первый предполагает прямое соединение с осью "U" ЧПУ станка, которое позволяет осуществлять операции расточки, внутренней, внешней и обратной торцовки, внутренние и внешние токарные операции, канавки, фоновграфические фланцы, коническую резьбу и расточку, коническую, а также переменную расточку, вогнутые и выпуклые радиусы путем интерполяции с другими осями. Второй - с простым и экономичным позиционером U-CONTROL с беспроводным дистанционным управлением. Позиционер может быть подключен к функции M контроля станка и получать сигналы запуска различных операций, запрограммированных на пульте дистанционного управления. Это решение позволяет осуществлять операции расточки, внутренней, внешней и обратной торцовки, внутренние и внешние токарные операции, канавки, фоновграфические фланцы, коническую резьбу и расточку. На станках с беспроводным дистанционным управлением не представляется возможным выполнять **сферическую обработку**.



266



CNC



**KIT U-CONTROL
WIRELESS**

CODE : 55 0 020 100 001

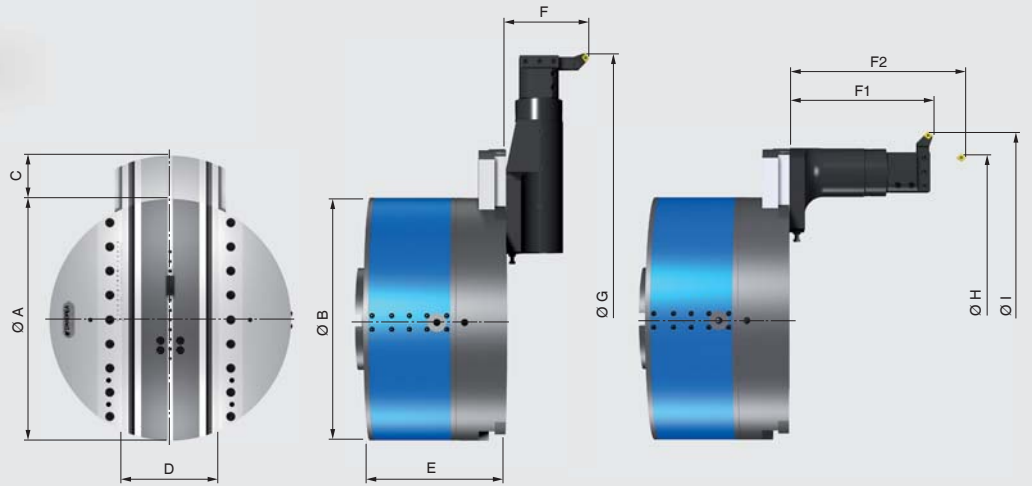
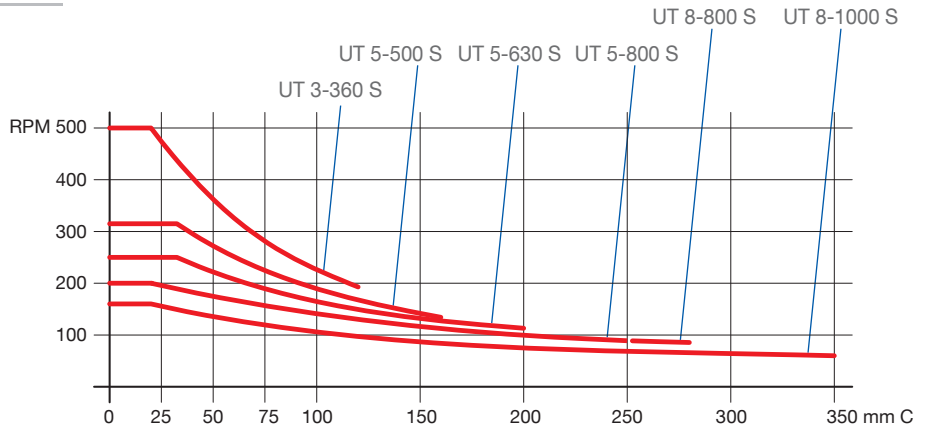
PL Istnieją dwa sposoby sterowania głowicami U-Tronic: - Pierwszy sposób przewiduje wykonanie bezpośredniego połączenia pomiędzy osią „U” a sterownikiem numerycznym obrabiarki, i pozwala na wykonanie wszelkich czynności związanych z toczeniem, wytaczaniem, planowaniem powierzchni wewnętrznych i zewnętrznych, gwintowaniem, obróbką promieni i powierzchni kulistych. – Drugi sposób przewiduje zastosowanie zwykłego przyrządu ustawczego U-CONTROL ze zdalnym urządzeniem bezprzewodowym, które można połączyć z funkcjami M sterownika obrabiarki w celu otrzymywania sygnału startu do rozpoczęcia czynności zaprogramowanych na sterowniku zdalnym. Rozwiązanie to pozwala na wykonanie wszelkich czynności związanych z toczeniem, wytaczaniem, planowaniem powierzchni wewnętrznych i zewnętrznych, gwintowaniem i obróbką promieni (**poza operacjami sferycznymi**).

CZ Jsou dva typy ovládání hlav U-TRONIC: - První zahrnuje přímé připojení na osu "U" řízení NC obráběcího stroje a umožňuje provádění všech typů válcového a kónického vrtání, čelního soustružení, závitování, zaoblování rohů a sférických operací. Druhý typ zahrnuje použití jednoduchého polohovacího zařízení U-CONTROL s bezdrátovým ovládním REMOTE, které lze připojit na M funkce stroje a tak získávat signály pro startování různých operací naprogramovaných v REMOTE-CONTROL. Toto řešení umožňuje provádět veškeré typy operací obrábění, vrtání, čelního soustružení, vnitřního a vnějšího, závitování a kónických operací **kromě sférických operací**.

TR U-TRONIC kafaları için iki komanda komutu mevcuttur: - Birincisi, işleme takımı NC'sinin "U" eksenine doğrudan bağlantıyı içerir ve her çeşit silindirik/konik delik açma, dış yüzey hazırlama, dış açma, köşe yuvarlama ve dairesel işlemin yapılabilmesini sağlar. - İkincisi ise, makinanın M fonksiyonlarına bağlanabilen uzaktan kumandalı basit bir U-CONTROL kullanılması suretiyle, uzaktan kumanda ile programlanmış farklı işlemlerin başlatma sinyallerinin alınmasını içerir. Bu çözüm, dairesel işlemler hariç olmak üzere, her çeşit tornalama, delik açma, dış yüzey hazırlama, iç/dış delik açma ve konik **işlemin yapılmasını mümkün kılar**.

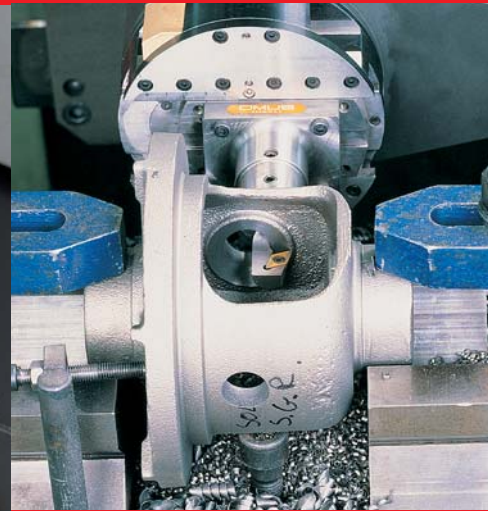


- TECHNICAL DATA
- ТЕХНИЧЕСКИЕ ДАННЫЕ
- DANE TECHNICZNE
- TECHNICKÁ DATA
- TEKNİK VERİLER



		UT 3-360 S	UT 5-500 S	UT 5-630 S	UT 5-800 S	UT 8-800 S	UT 8-1000 S
Ø A	mm	360	500	630	800	800	1000
Ø B	mm			500		800	
C	mm	120	160	200	250	280	350
D	mm	154.6	199.6		230	250	260
E	mm	235	278.5	282	370	410	415
Ø G x F	mm	800 x 140	1000 x 150	1250 x 150	1400 x 150	1600 x 160	2000 x 160
Ø H x F2	mm	400 x 400	560 x 540	700 x 540	830 x 540	850 x 860	1050 x 860
Ø I x F1	mm	670 x 240	850 x 295	1050 x 295	1300 x 295	1250 x 370	1600 x 370
Max. mm/min	mm/min	1 ÷ 400				1 ÷ 500	
Max. ◊/min	RPM	500	315	250	200		160
• Weight • Вес • Ciężar • Hmotnost • Ağırlık	Kg	130	230	310	530	1000	1200
• Radial force • Радиальная сила • Siła radialna • Radiální síla • Radyal kuvvet	daN	400	500			1000	
• Torque • Вращающий момент • Moment skręcający • Kroutící moment • Tork	daNm	400	800			1000	
• Boring accuracy • Точность расточки • Precyzyja wytaczania • Přesnost vrtání • Delik açma hassasiyeti		H7					
• Max chip removal • Максимум удаления • Maksymalne usuwanie naddatku • Max likvidace špon • Maks. talaş giderimi	mm ² C40	5	9			14	
• Rapid traverse • Быстрый • Szybkość • Rychłoposuv • Hızlı transvers	mm/min	400				500	
• Roughness • Шероховатость • Chropowatość powierzchni • Drsnost • Pürüzlülük	Ra	0,8 ~ 1,2					

D'ANDREA TA-CENTER



Turning operations on all machining centres

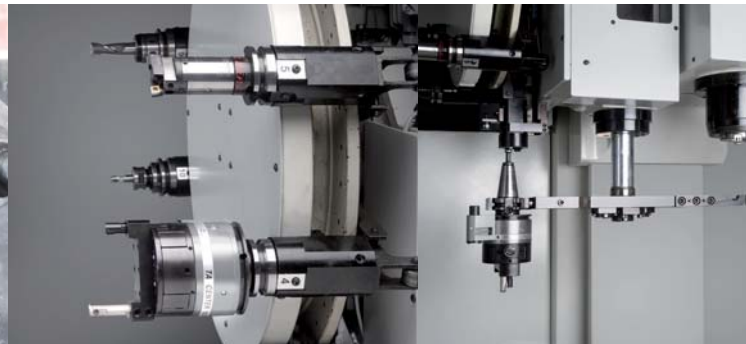
GB TA-CENTER boring and facing heads are made to be used on automatic tool changers, therefore on essentially all machining centres. A U-Drive unit commands the feed control of the tool slide and the tool placement even during rotation. This unit is managed directly by an axle called "U" by the CNC of the machining centre. Organized in this way, the machining centre is the solution to a series of different processes like inner and outer turning operations, grooves, conical and variable boring, concave and convex radius machining, cylindrical and conical threading, complex profiles, and spherical operations.

RU Торцевые и расточные головки TA-CENTER созданы для использования на станках с автоматической сменой инструмента, то есть практически во всех обрабатывающих центрах. Мониторинг подачи салазок резцедержателя и положения инструмента, даже во время вращения, находится под контролем на приводе U-DRIVE. Эта группа управляется непосредственно осью под названием "U" ЧПУ обрабатывающего центра. Обрабатывающий центр, организованный таким образом, позволяет разрешить целый ряд различных процессов обработки, таких как внутренние и внешние токарные работы, канавки, коническое, а также переменное растачивание, выпуклые и вогнутые радиусы, цилиндрическая и коническая резьба и фоновграфический фланцы и сферическую обработку.

PL Głowice wytaczarskie i planujące TA-CENTER powstały, aby być wykorzystywane na obrabiarkach z automatyczną wymianą narzędzi, a tym samym, by być wykorzystywane na wszystkich centrach obróbkowych. Kontrola posuwu sań narzędziowych i pozycji narzędzia, zwłaszcza podczas obrotu, jest realizowana przez układ U-DRIVE. Jest on sterowany i kontrolowany bezpośrednio z układu sterowania obrabiarki jako dodatkowa os „U”. Tak przystosowane centrum obróbkowe pozwala na wykonanie dodatkowych rodzajów obróbek takich jak toczenie wewnętrzne i zewnętrzne, wykonywanie rowków, wytaczanie powierzchni stożkowych (również zmiennych), wykonywanie wytoczeń promieniowych wklęsłych i wypukłych, gwintowanie cylindryczne i stożkowe, spirale fonograficzne i obróbki kuliste.



- GENERAL FEATURES
- ОБЩИЕ ХАРАКТЕРИСТИКИ
- DANE OGÓLNE
- OBECNÉ VLASTNOSTI
- GENEL ÖZELLİKLER



CZ Vyrtvávací hlavy a lícní desky TA-CENTER jsou určeny k použití na strojích s automatickou výměnou nástroje, tedy v zásadě na všech obráběcích centrech. Jednotka U-Drive ovládá řízení posuvu šoupátka stroje a nasazení nástroje i během rotace. Tato jednotka je řízena přímo osou zvanou “U” systému CNC obráběcího centra. Při tomto způsobu organizace obráběcí centrum poskytuje řešení pro řadu různých procesů jako obrábění vnitřních a vnějších ploch, drážek, kónické a proměnné vyvrtávání, konkávní a konvexní poloměrové obrábění, válcové a kónické řezání závitů, komplexní profily a sférické operace.

TR TA-CENTER delik açma ve dış yüzey hazırlama kafaları otomatik takım değiştiricilerde kullanılır ve bu nedenle tüm işleme merkezleri için mutlaka gereklidir. U-Drive tahrik ünitesi, dönüş sırasında bile takım kızırganın besleme kontrolünü ve takım değişimini kumanda eder. Bu ünite, işleme merkezi CNC'si tarafından “U” adı verilen bir aksla doğrudan yönetilir. Bu şekilde donatılan bir işleme merkezi, iç ve dış tornalama faaliyetleri, yiv açma, konik ve değişken delik açma, konkav/konveks yarıçap işleme, silindirik ve konik dış çekme, kompleks profiller ve küresel işlemler gibi pek çok farklı işlem için tek bir çözüm sunan hale getirilebilir.

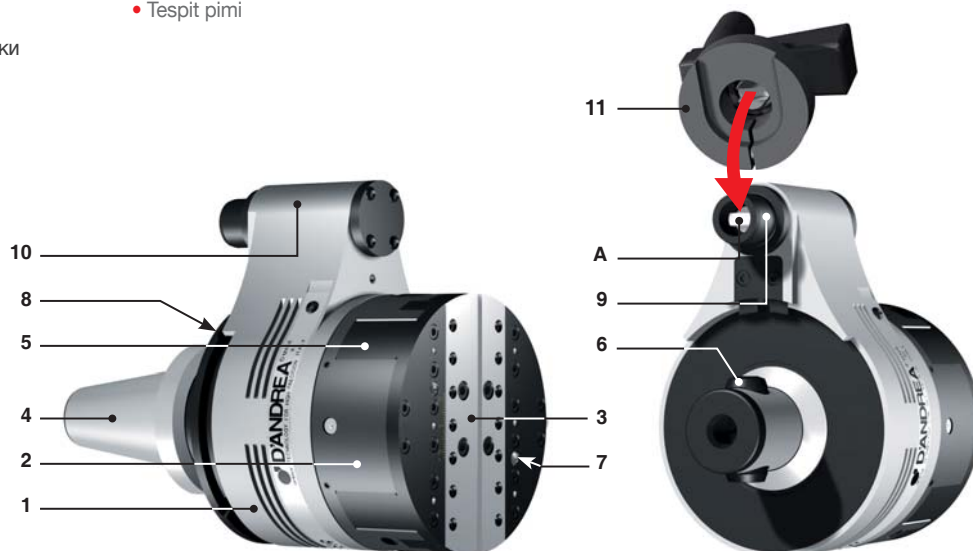
D'ANDREA TA-CENTER

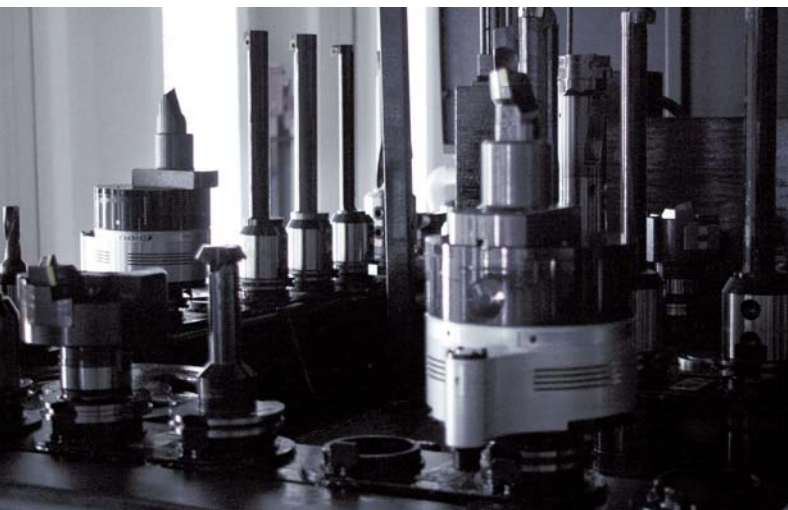
- COMPONENTS
- СОСТАВЛЯЮЩИЕ
- ELEMENTY SKŁADOWE
- SOUČÁSTI
- BİLEŞENLER

- 1 • Fixed body
• Неподвижный корпус
• Korpus stały
• Upevněný díl
• Sabit gövde
- 2 • Rotating body
• Вращающийся корпус
• Korpus obrotowy
• Rotující díl
• Döner gövde
- 3 • Toolholder slide
• Салазки резцедержателя
• Sanie narzędziowe
• Šoupátko nástrojového držáku
• Takım tutucu kazağı
- 4 • Interchangeable taper
• Взаимозаменяемый конус
• Wymienny stożek
• Vyměnitelný kužel
• Değiştirilebilir konik
- 5 • Balancing counter-weights
• Противовесы для балансировки
• Przeciwcieżar wyważający
• Vyvažující protizávaží
• Dengeleme için karşı ağırlıklar

- 6 • MHD' coupling
• Крепление MHD'
• Złącze MHD'
• Spojka MHD
• MHD' kaplin
- 7 • Coolant liquid outlet nozzle
• Выходное сопла охлаждающе-смазочной жидкости
• Dysze wylotowe cieczy chłodzącej i smarującej
• Výstupní tryska chladicí kapaliny
• Soğutma sıvısı çıkış nozulu
- 8 • Orientation ring
• Направляющее кольцо
• Pierścień ustawczy
• Orientační kroužek
• Yönlendirme halkası
- 9 • Retaining pin
• Стопорный штифт
• Sworzeń zatrzymujący
• Pojistný kolík
• Tespit pimi

- 10 • "A" Drive
• Коробка привода 'A'
• Napęd potomocznicy 'A'
• "A" pohon
• "A" sürücü
- 11 • Manual rotation device
• Устройство ручного вращения
• Urządzenie do wykonywania obrotów ręcznych
• Zařízení pro manuální rotaci
• Manuel döndürme cihazı





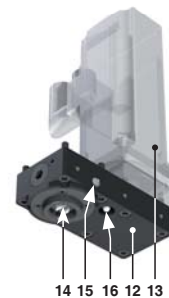
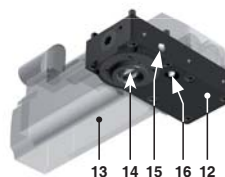
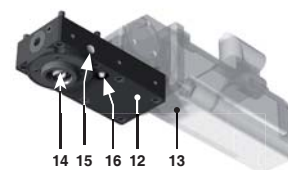
- 12** • Base element
- Основной корпус
 - Korpus podstawowy
 - Bázový prvok
 - Taban elemanı

- 13** • Servomotor
- Сервомотор
 - Serwomotor
 - Servomotor
 - Servomotor

- 14** • Mechanical unit for automatic hook-up to the TA-CENTER drive
- Механическое устройство для автоматического подключения к приводу TA-CENTER
 - Zespół mechaniczny do podłączania do napędu pomocniczego głowicy TA-CENTER
 - Mechanická jednotka pro automatické připojení na pohon TA-CENTER
 - TA-CENTER düzenine (sürücüsüne) otomatik sabitlenme için mekanik ünite

- 15** • The unit comes with air inlet connection for cleaning the drive
- Устройство подключения доступа воздуха для очистки привода
 - Złącze dedykowane do wlotu powietrza do czyszczenia napędu pomocniczego
 - Jednotka se dodává s připojením na přívod vzduchu pro čištění pohonu
 - Ünite, düzenin temizlenmesi için bir hava girişi bağlantısı sunulur

- 16** • Manual lubrication
- Ручная маслѐнка
 - Smarownica ręczna
 - Ruční maznice
 - Manüel gres tabancası



- **U-DRIVE COMMAND UNIT**
- **БЛОК УПРАВЛЕНИЯ U-DRIVE**
- **JEDNOSTKA STERUJĄCA U-DRIVE**
- **ŘÍDICÍ JEDNOTKA U-DRIVE**
- **U-DRIVE KOMUT ÜNİTESİ**

GB The U-DRIVE drive unit must be mounted on the machining centre in a proper position next to the spindle so to ensure the mechanical connection to the TA-CENTER head drive.

RU Привод U-Drive должен быть установлен на обрабатывающем центре в правильном положении рядом со шпинделем с тем, чтобы обеспечить механическое соединение с головкой TA-CENTER.

PL Układ napędowy U-DRIVE musi zostać zamontowany na centrum obróbczym w odpowiedniej pozycji obok wrzeciona, tak, aby zagwarantować połączenie mechaniczne napędu pomocniczego z głowicą TA-CENTER.

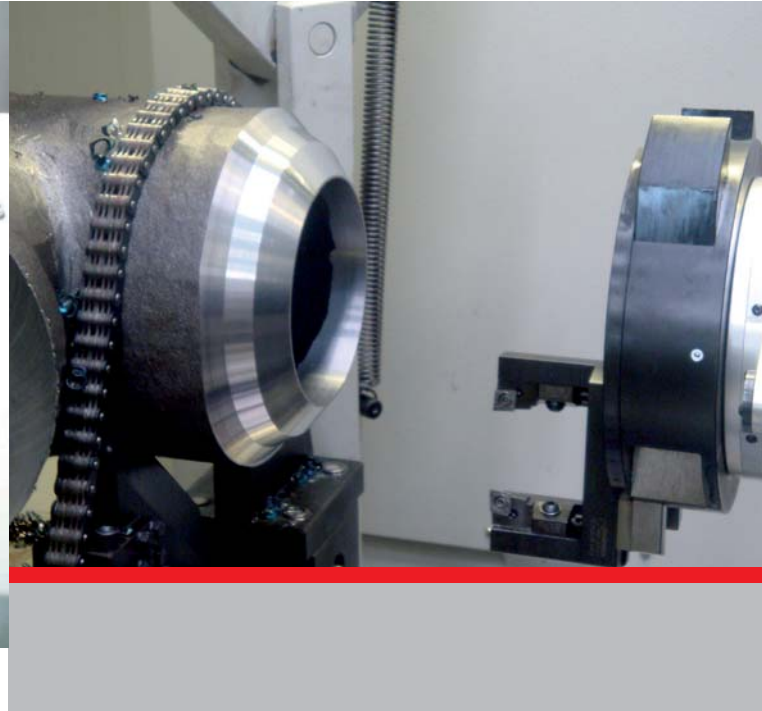
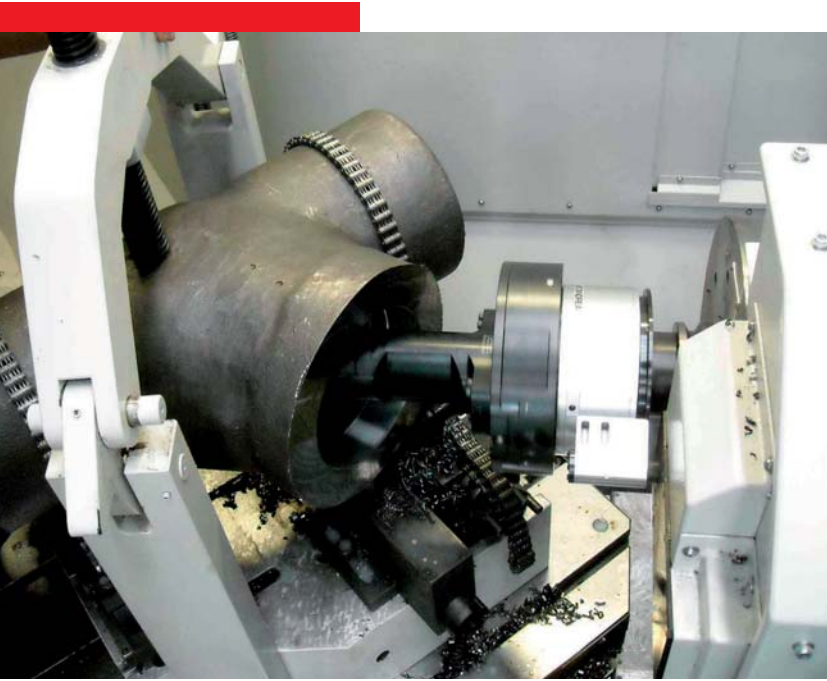
CZ Řídicí jednotku U-DRIVE je nutno namontovat na obráběcí centrum ve správné poloze vedle vřetena, aby bylo zajištěno mechanické napojení na pohon hlavy TA-CENTER.

TR U-DRIVE tahrik ünitesi, TA-CENTER kafa düzenine mekanik bağlantı sağlanması için işleme merkezi üzerinde milin yanına doğru konumlandırılmalıdır.

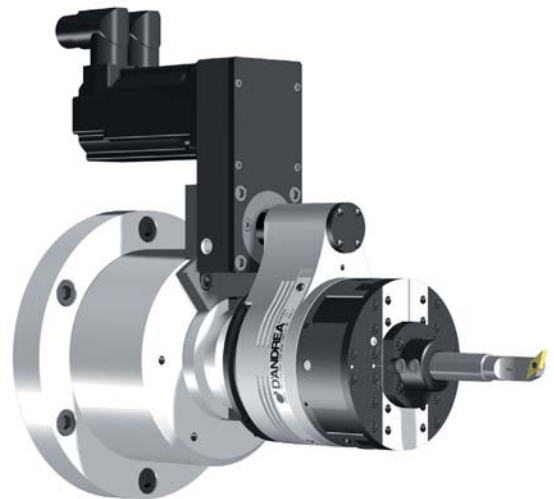


D'ANDREA TA-CENTER

- APPLICATION
- ПРИМЕНЕНИЕ
- APLIKACJE
- ROUŽITÍ
- UYGULAMA



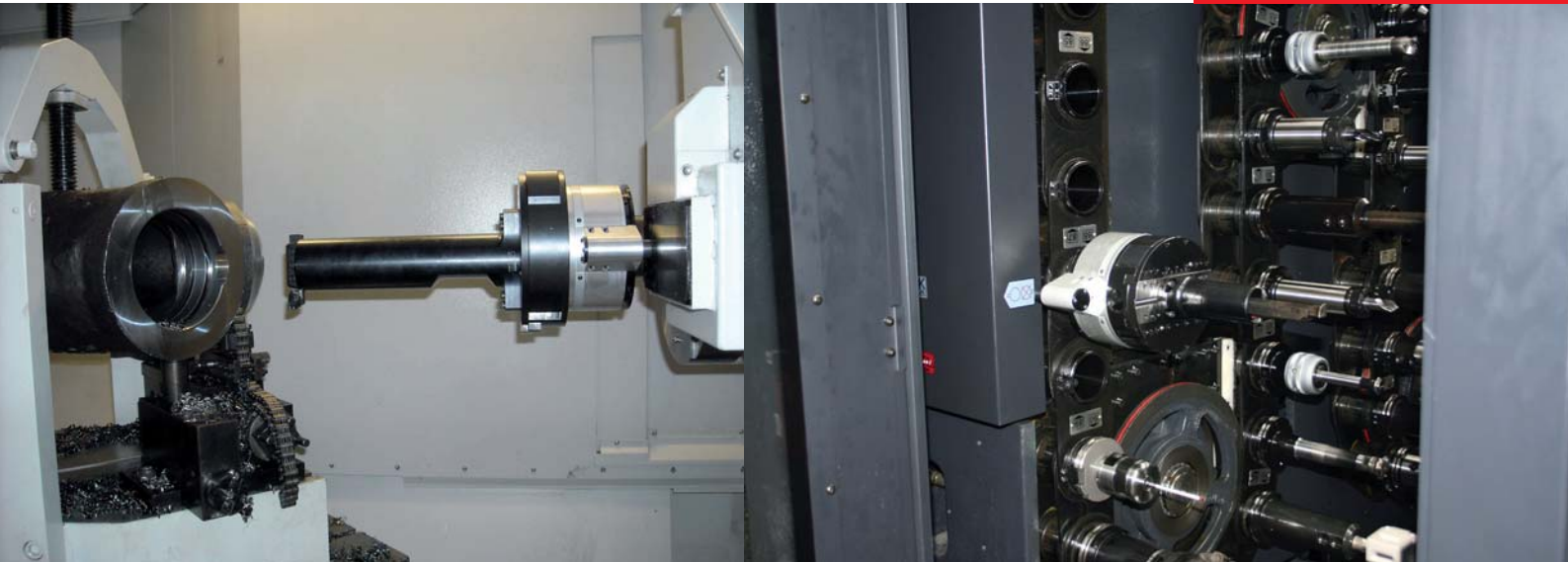
272



BB Any application on machines that do not permit the connection to an axis of the NC, may be made by managing the motor of the U-DRIVE with a practical, simple, and economical U-CONTROL positioner with wireless REMOTE-CONTROL. The positioner can be connected to the M functions of the machine to receive start signals of the various operations programmed on the REMOTE-CONTROL. **Spherical machining is not possible with machines equipped with the U-CONTROL WIRELESS KIT.**

BU Применение на станках, которые не позволяют подключение к оси с ЧПУ может быть осуществлено путем управления двигателем привода U-DRIVE с практичным, простым и экономичным позиционером U-CONTROL с беспроводным дистанционным управлением. Позиционер может быть подключен к функции M управления станка и может получать сигналы запуска различных операций, запрограммированных на пульте дистанционного управления. **На станках с U-CONTROL KIT WIRELESS не представляется возможным выполнять сферическую обработку.**

PL W przypadku aplikacji na obrabiarkach, które nie umożliwiają podłączenia napędu do osi układu sterowania, możemy posłużyć się praktycznym, prostym i ekonomicznym sterownikiem zewnętrznym U-CONTROL ze zdalnym sterowaniem bezprzewodowym REMOTE-CONTROL. Przy wykorzystaniu funkcji M przyrząd ustawczy może być podłączony do układu sterowania obrabiarki w celu otrzymywania sygnału start do rozpoczęcia operacji zaprogramowanych na urządzeniu REMOTE-CONTROL. **Maszyny wyposażone w zestaw U-CONTROL WIRELESS nie mają możliwości wykonywania obróbek kulistych.**



CNC



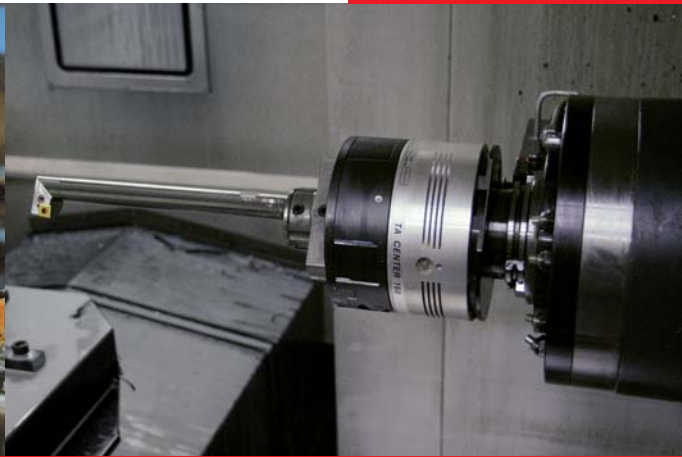
KIT U-CONTROL WIRELESS



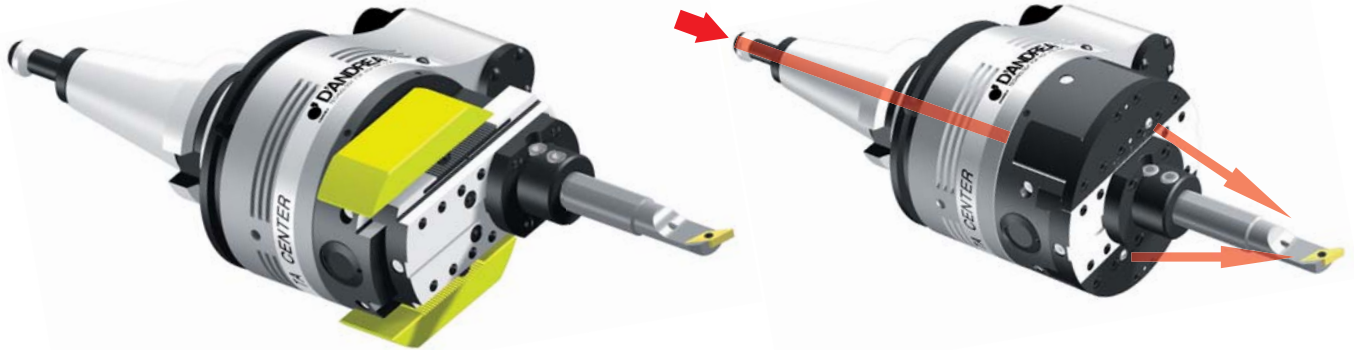
BZ Jakékoliv nasazení na stroje nedovolující připojení na osu NC lze provést ovládním motoru U-DRIVE pomocí praktického, jednoduchého a úsporného polohovacího zařízení U-CONTROL s bezdrátovým dálkovým ovládním REMOTE-CONTROL. Polohovací zařízení lze připojit na M funkce stroje a tak získávat signály pro startování různých operací naprogramovaných v REMOTE-CONTROL. **Sférické obrábění není možné u strojů vybavených bezdrátovou soupravou U-CONTROL WIRELESS KIT.**

TR NC'nin bir eksenine bağlanmaya izin verilmeyen makinelerdeki herhangi bir uygulama, U-DRIVE motorunun kablosuz uzaktan kumandali pratik, basit ve ekonomik bir U-CONTROL konumlandırıcısıyla yönetilmesi suretiyle kolayca gerçekleştirilebilir. Konumlandırıcı, uzaktan kumandada programlanmış çeşitli işlemlerin başlatma sinyallerini almak için makinenin M fonksiyonlarına bağlanabilir. **U-CONTROL kablosuz kitle donatılmış makinelerde küresel işleme mümkün değildir.**

D'ANDREA TA-CENTER



- BALANCING AND COOLANT SUPPLY
- БАЛАНСИРОВКА И ПОДВОД СОЖ
- WYRÓWNOWAŻANIE I DOPROWADZANIE CIECZY CHŁODZĄCEJ
- VYVAŽOVÁNÍ A PŘÍVOD CHLADICÍ KAPALINY
- DENGELEME VE SOĞUTMA SIVISI BESLEMESİ



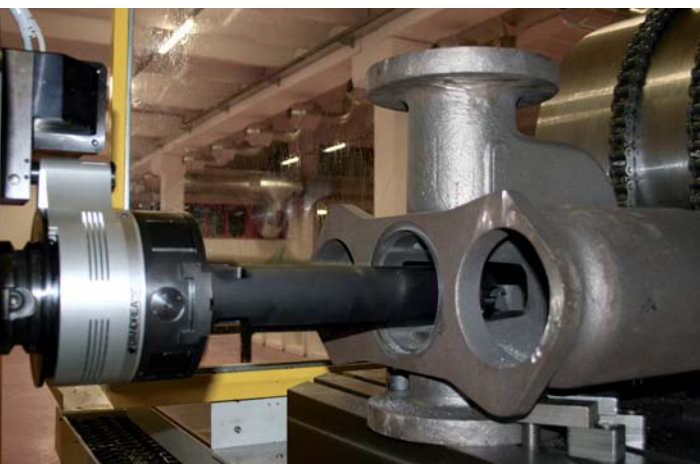
GB TA-CENTER heads are designed with two counter-weights for automatic balancing, that move opposite to the slide. Coolant exits from the two adjustable nozzles in the TA-CENTER located next to the slide after crossing the taper and the rotating body of the head.

RU Головки TA-CENTER были разработаны с двумя противовесами для автоматической балансировки, которые движутся в направлении, противоположном салазкам. В TA-CENTER охлаждающая жидкость выходит из двух регулируемых сопел, расположенных рядом с салазками после пересечения конуса и вращающегося тела головки.

PL Głowice TA-CENTER zostały wyposażone w dwa przeciwwagi służące do automatycznego wyrównywania. Ciężary te poruszają się w kierunku przeciwnym do kierunku ruchu sań. Rozwiązanie to pozwala na pracę z wysokimi prędkościami obrotowymi bez wyraźnych drgań narzędzia. W głowicach typu TA-CENTER ciecz chłodząca wydostaje się z dwóch nastawnych dysz umieszczonych obok sań narzędziowych. Ciecz chłodząca przepływa przez stożek i korpus obrotowy głowicy.

CZ Hlavy TA-CENTER jsou navrženy se dvěma protizávažnými pro automatické vyvažování, která se pohybují opačně vůči šoupátku. Chladicí kapalina odchází ze dvou nastavitelných trysek v centru TA-CENTER umístěných vedle šoupátka po přechodu kužele a rotujícího těla hlavy.

TR TA-CENTER kafaları, kazağa karışı hareket eden ve otomatik dengelenmede kullanılan iki karşı ağırlıklı tasarlanmıştır. Soğutma sıvısı, konikten ve kafanın döner gövdesinden geçtikten sonra kazağın yanındaki TA-CENTER'da bulunan ayarlanabilir iki nozuldan çıkar.



K02



REF.	CODE
K02 TA-C 80 I.65	501250800650
K02 TA-C 80 I.80	501250800800
K02 TA-C 100 I.80	501251000800
K02 TA-C 100 I.110	501251001100
K02 TA-C 125 I.80	501251250800
K02 TA-C 125 I.110	501251251100
K02 TA-C 160 I.110	501251601100
K02 TA-C 200 I.110	501252001100

K03

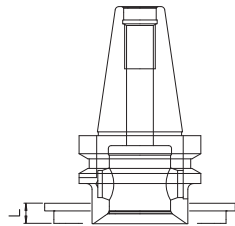


1 P120 1 P130

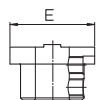
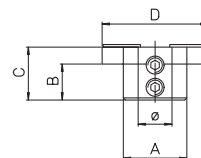
REF.	CODE
KIT K03 TA-C 80	501200300801
KIT K03 TA-C 100-125	501200301001
KIT K03 TA-C 160-200	501200301601

- Complete range of cones on page 17 • Полная гамма конусов на стр.17 • Kompletna gama stożków na str.17
- Kompletní řada kuželů na straně 17 • Sf.17'deki tüm koni ürünleri

MHD'

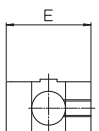
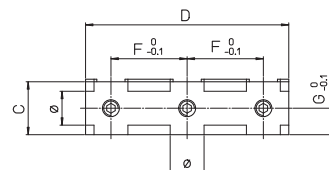


REF.	MHD'	L
TA-C 80	40	10,5
TA-C 100-125	50	11,5
TA-C 160-200	80	



P120

	REF.	CODE	ØH7	A	B	C	D	E	Kg.
TA-C 80	P120	431550160200	16	30	14	20	40	32	0.1
TA-C 100-125		431550160250			17				
TA-C 160-200		431550250380	25	47	27.5	38	76	54	0.55

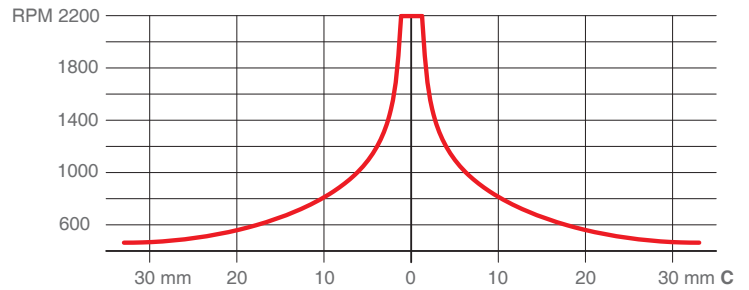


P130

	REF.	CODE	ØH7	C	D	E	F	G	Kg.
TA-C 80	P130	433032200800	16	20	80	32	30	10.5	0.3
TA-C 100-125		433040250950		25					
TA-C 160-200		433054381520	25	38	152	54	59.5	16.5	1.6



- TECHNICAL DATA
- ТЕХНИЧЕСКИЕ ДАННЫЕ
- DANE TECHNICZNE
- TECHNICKÁ DATA
- TEKNİK VERİLER



		TA-C 80	TA-C 100	TA-C 125	TA-C 160	TA-C 200
Ø A	mm	80	100	125	160	200
Ø B	mm	80.5	100.5	125	160.5	200
C	mm	± 10	± 12	± 17	± 25	± 32.5
		<ul style="list-style-type: none"> • radial traverse • Радиальный поперечина • Promieniowy przecinać • paprskovité křížení • Радьял kuvvet 				
Ø D	mm	(MHD'40) 25 ^{-0.004} / _{-0.006}	(MHD'50) 32 ^{-0.005} / _{-0.008}	(MHD'80) 42 ^{-0.005} / _{-0.008}		
E	mm	65/80	80/110		110	
F	mm	81	100	104	136	
G	mm	33.2	40.5	44.5	56	
H	mm	120 / 135	145 / 175		205	
I	mm	17	19			
Ø L	mm	8 ~ 62	10 ~ 72	10 ~ 81	20 ~ 109	20 ~ 124
M	mm	60	75		125	
Ø N	mm	62 ~ 102	72 ~ 122	63 ~ 131	103 ~ 203	88 ~ 218
O	mm	80	100		160	
Ø P	mm	112 ~ 160	122 ~ 200	131 ~ 250	203 ~ 320	218 ~ 400
Q	mm	20.5	25.5		38.5	
Max. mm/min	mm/min	1 ÷ 500				
Max. ◊/min	RPM	2200	2000	1800	1600	1400
	Kg	2.5	4.8	6.5	16.8	21.4
	daN	100	150		250	
	Nm	200	400		800	
		H7				
	mm ² C40	0,5	0,75	0,85	1	
	Ra	0,8 ~ 1,2				

D'ANDREA TA-TRONIC



Turning operations on all machine tools



GB TA-Tronic boring and facing heads can be manually or automatically applied on small boring machines, machining centres and special machines. Connection with the machine tool spindle occurs through a cone for the rotation of the rotating head and a flange for fastening the fixed body on to the fixed part of the machine. For lighter tasks a simple anti-rotation pin may be used.

RU Расточные и торцевые головки TA-Tronic применяются вручную или автоматически на малых расточных станках, обрабатывающих центрах и специальных станках. Соединение со шпинделем станка осуществляется с помощью конуса вращения подвижной части и фланца для крепления неподвижной части на шпинделе. Для менее тяжелых операций можно использовать простой противоповоротный штифт.

PL Głowice wierzące i planujące TA-Tronic można ręcznie lub automatycznie stosować we wszystkich małych wytaczarkach (wiertarkach), obrabiarkach wielooperacyjnych oraz urządzeniach specjalnych. Połączenie z wrzecionem obrabiarki następuje poprzez stożek w celu zapewnienia rotacji głowicy obrotowej oraz kołnierza służący do zamocowania stałego korpusu do nieruchomej części urządzenia. W przypadku lżejszych prac, można użyć prostego kołka przeciwwrotacyjnego.



- GENERAL FEATURES
- ОБЩИЕ ХАРАКТЕРИСТИКИ
- DANE OGÓLNE
- OBECNÉ VLASTNOSTI
- GENEL ÖZELLİKLER



CZ Vytvářací hlavy a lícní desky TA-Tronic lze používat manuálně nebo automaticky na malých vrtacích strojích, obráběcích centrech a speciálních strojích. Připojení na vřeteno obráběcího stroje se odehrává pomocí kužele pro rotaci rotační hlavy a příruby pro upevnění pevného dílu na fixní část stroje. Pro jednodušší operace lze použít jednoduchý antirotační kolík.

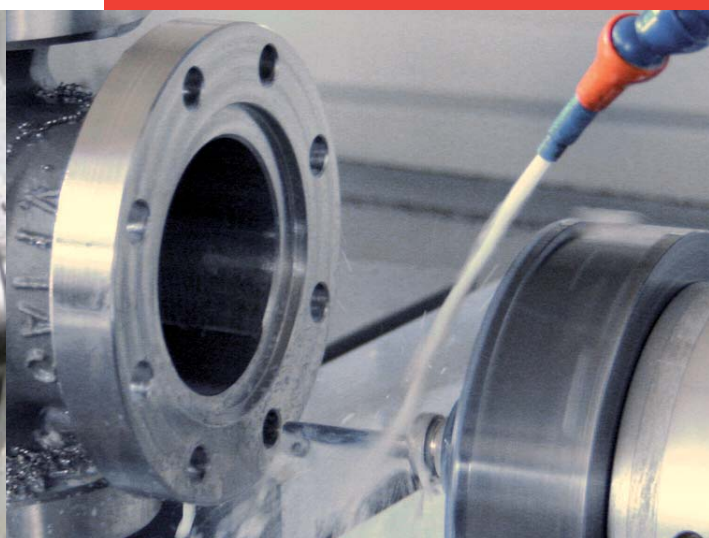
TR TA-Tronic delik açma ve dış yüzey hazırlama kafaları, küçük delik açma makinelerinde, işleme merkezlerinde ve özel makinelerde manuel ya da otomatik olarak uygulanabilir. İşleme takımının miliyle olan bağlantı, döner kafanın dönüşünde kullanılan bir koni ve sabit gövdenin makinenin sabit parçasına bağlanmasında kullanılan bir flanş ile gerçekleştirilir. Daha hafif görevlerde ise dönüş önleyici basit bir pim kullanılabilir.



- 1**
 - Fixed body
 - неподвижный корпус
 - Korpus stały
 - Upevněný díl
 - Sabit gövde
- 2**
 - Rotating body
 - Вращающийся корпус
 - Korpus obrotowy
 - Rotující díl
 - Döner gövde
- 3**
 - Toolholder slide
 - Салазки резцедержателя
 - Śanie narzędziowe
 - Šoupátko nástrojového držáku
 - Takım tutucu kızıği
- 4**
 - Interchangeable taper
 - Взаимозаменяемый конус
 - Stożek wymienny
 - Vyměnitelný kužel
 - Değiştirilebilir konik

- 5**
 - Balancing counter-weights
 - Противовесы для балансировки
 - Przeciwważar wyważający
 - Vyvažovací protizávaží
 - Dengeleme için karşı ağırlıklar
- 6**
 - MHD' coupling
 - Крепление MHD'
 - Złącze MHD'
 - Spojka MHD
 - MHD' kaplin'
- 7**
 - Coolant liquid outlet nozzle
 - Выходящие сопла охлаждающе-смазочной жидкости
 - Dysze wylotowe cieczy chłodzącej i smarującej
 - Výstupní tryska chladicí kapaliny
 - Soğutma sıvısı çıkış nozulu

- 8**
 - Anti-rotation pin
 - Противовращательный штифт
 - Sworzeń zapobiegający obrotom
 - Antirotační kolík
 - Dönüş önleme pimi
- 9**
 - Motor
 - Двигатель
 - Silnik
 - Motor
 - Motor
- 10**
 - Anti-rotation Small block
 - Противовращательный вкладыш
 - Płytko zapobiegająca obrotom
 - Antirotační malý blok
 - Dönüş önleme için küçük blok



- COMMAND UNIT
- БЛОК УПРАВЛЕНИЯ
- JEDNOSTKA STERUJĄCA
- ŘÍDICÍ JEDNOTKA
- KOMUT BİRİMİ

GB Two possibilities are available for the control unit of the TA-Tronic head: the first one involves a direct connection to the “U” axis of the NC in the machine tool which allows for boring, inner facing, outer facing, back – facing, grooving, complex profiles, threading and taper boring, taper and variable boring, concave and convex radius machining through the interpolation with the other axis. The second with a simple and economical U-CONTROL positioner with a wireless REMOTE-CONTROL. The positioner can be connected to the M function of the machine to receive start signals of the various operations programmed on the REMOTE-CONTROL. This solution allows for boring machining, inner facing, outer facing, back-facing, inner and outer turning operations, grooves, complex profiles, threading, and taper boring. **Spherical machining is not possible with machines equipped with the U-CONTROL WIRELESS KIT.**

RU Управление головками TA-Tronic может осуществляться двумя способами: Первый предполагает прямое соединение с осью “U” ЧПУ станка, которое позволяет осуществлять операции расточки, внутренней, внешней и обратной торцовки, внутренние и внешние токарные операции, канавки, фоновграфические фланцы, коническую резьбу и расточку, коническую, а также переменную расточку, вогнутые и выпуклые радиусы путем интерполяции с другими осями. Второй - с простым и экономичным позиционером U-CONTROL с беспроводным дистанционным управлением. Позиционер может быть подключен к функции M контроля станка и получать сигналы запуска различных операций, запрограммированных на пульте дистанционного управления. Это решение позволяет осуществлять операции расточки, внутренней, внешней и обратной торцовки, внутренние и внешние токарные операции, канавки, фоновграфические фланцы, коническую резьбу и расточку. **На станках с беспроводным дистанционным управлением не представляется возможным выполнять сферическую обработку.**

PL Istnieją dwie metody sterowania głowicami typu TA-Tronic: pierwsza wykorzystuje bezpośrednie połączenie głowicy z osią „U” sterownika numerycznego obrabiarki, co pozwala na wytaczanie, planowanie wewnętrzne i zewnętrzne, wykonywanie rowków, toczenie wewnętrzne i zewnętrzne, wykonywanie kanałów, spiral fonograficznych, gwintów i wytaczanie stożków (również zmiennych), promieni wklęsłych i wypukłych poprzez interpolację z pozostałymi osiami. Druga to prosty i ekonomiczny przyrząd nastawczy U-CONTROL ze zdalnym sterowaniem bezprzewodowym REMOTE-CONTROL. Przyrząd nastawczy może być podłączony do układu sterowania obrabiarki przy wykorzystaniu funkcji M, uzyskując tym samym sygnał startu do rozpoczęcia operacji zaprogramowanych na sterowniku REMOTE-CONTROL. Rozwiązanie to pozwala na wytaczanie, planowanie wewnętrzne i zewnętrzne, wykonywanie rowków, toczenie wewnętrzne i zewnętrzne, wykonywanie kanałów, spiral fonograficznych, gwintów i wytaczanie stożków. **Maszyny wyposażone w bezprzewodowy zestaw U-CONTROL WIRELESS nie mają możliwości wykonywania obróbek sferycznych.**

CZ Pro řídicí jednotku hlavy TA-Tronic jsou k dispozici dvě možnosti: první znamená přímé spojení s osou “U” NC i obráběcím stroji, které umožňuje vrtání, čelní soustružení vnitřních povrchů, čelní soustružení vnějších povrchů, zpětné čelní soustružení, drážkování, komplexní profily, řezání závitů a kuželové vrtání, kuželové a proměnné vrtání, konkávní a konvexní poloměrové obrábění pomocí interpolace s druhou osou. Druhá možnost je pomocí jednoduchého a úsporného polohovacího zařízení U-CONTROL s bezdrátovým vzdáleným ovládáním REMOTE-CONTROL. Polohovací zařízení lze připojit na M funkci stroje a tak získávat signály pro startování různých operací naprogramovaných v REMOTE-CONTROL. Toto řešení umožňuje vrtání, čelní soustružení vnitřních povrchů, čelní soustružení vnějších povrchů, zpětné čelní soustružení, obráběcí operace na vnitřních a vnějších površích, drážkování, komplexní profily, řezání závitů a kuželové vrtání. **Sférické obrábění není možné u strojů vybavených bezdrátovou soupravou U-CONTROL WIRELESS KIT.**

TR TA-Tronic kafanın kumanda ünitesi için iki seçenek mevcuttur: birincisi, diğer aksla ara kutuplama yapılarak delik açma, iç/dış yüzey hazırlama, arka yüzey hazırlama, yiv açma, kompleks profil hazırlama, dış açma ve konik delik açma, konik/değişken delik açma, konkav/konveks yarıçap işleme gibi işlerin yapılabilmesini sağlayan, işleme takımı NC'sinin “U” eksenine doğrudan bağlantıyı içerir. İkincisi ise, kablosuz uzaktan kumandalı basit ve ekonomik U-CONTROL'dür. Konumlandırıcı, uzaktan kumandada programlanmış çeşitli işlemlerin başlatma sinyallerini almak için makinenin M fonksiyonlarına bağlanabilir. Bu çözüm, delik açma, iç/dış yüzey hazırlama, arka yüzey hazırlama, iç/dış tornalama, yiv açma, kompleks profil oluşturma, dış açma ve konik delik açma işlemlerinin yapılmasını sağlar. **U-CONTROL kablosuz kitle donatılmış makinelerde küresel işleme mümkün değildir.**



CNC



KIT U-CONTROL WIRELESS

CODE : 55 0 020 100 001

D'ANDREA TA-TRONIC

GB TA-TRONIC is mounted on the machine using a taper (4). The anti-rotation pin (8) inserted in the dowel (10) locked on the head of the machine tool, preventing the fixed body of TA-TRONIC to rotate. The dowel (10) is applied on a fixed part around the spindle fig. 1, adjusting the height indicated by way of a thickness S. For heavy machining it is advisable to apply a flange to make the TA-TRONIC solidly connected with the head of the machine tool (fig. 2-3). It is always advisable to use a flange with TA-TRONIC 160 and 200. The type of flange to use depends on the model of the machine and may be easily built by the Customer or supplied by D'Andrea.

RU TA-TRONIC устанавливается на машине с помощью конуса (4). Противовращательный штифт (8), вставляется во вкладыш (10) заблокированный в головной части станка предотвращает вращение неподвижного корпуса TA-TRONIC. Вкладыш (10) необходимо установить на неподвижной части вокруг шпинделя рис.1, регулируя высоту с помощью прокладки S. Для тяжелой обработки целесообразно применение фланца для соединения TA-TRONIC с головной частью станка (рис. 2-3). С TA-TRONIC 160 и 200 рекомендуется всегда использовать фланец. Тип используемого фланца зависит от модели станка и может быть легко построен клиентом или поставлен компанией D'Andrea.

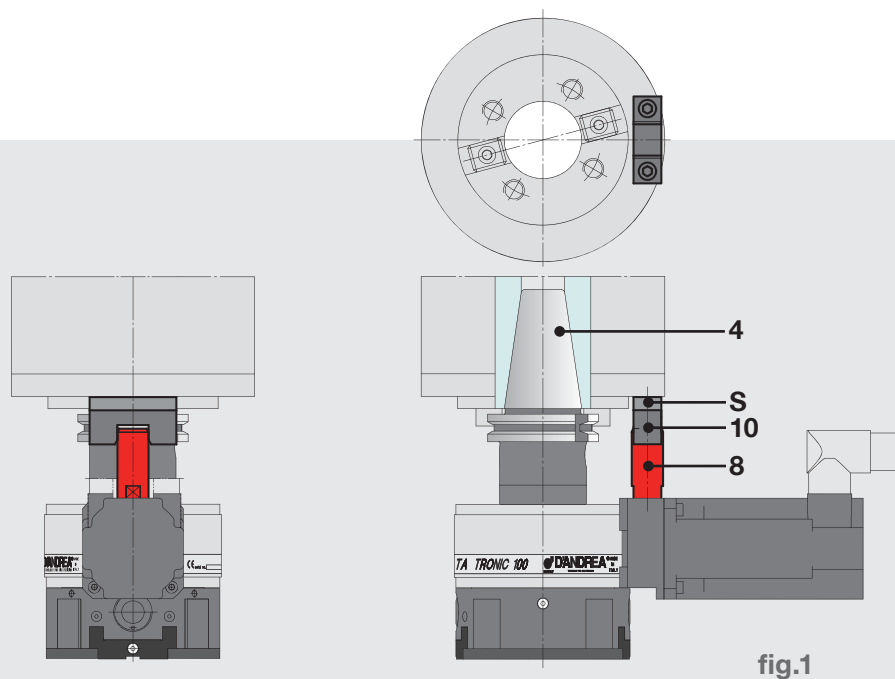


fig.1



- APPLICATION
- ПРИМЕНЕНИЕ
- APLIKACJA
- POUŽITÍ
- UYGULAMA

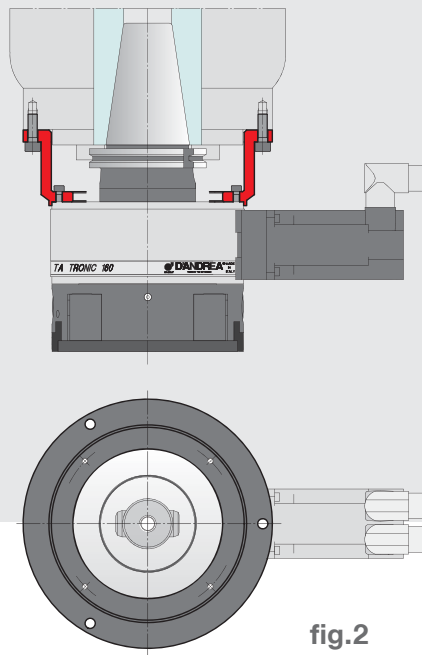
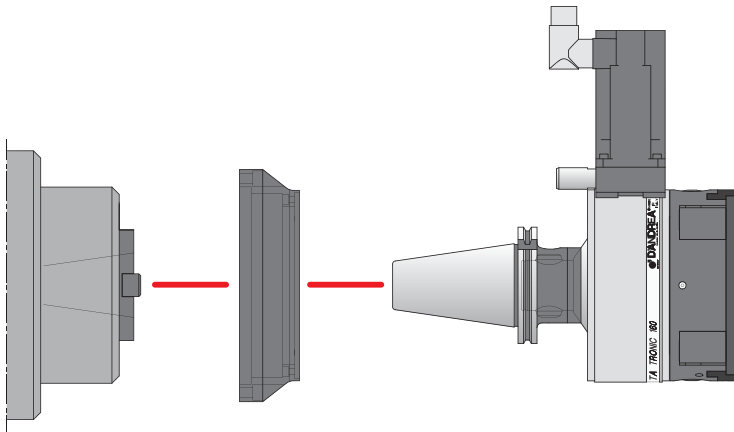


fig.2

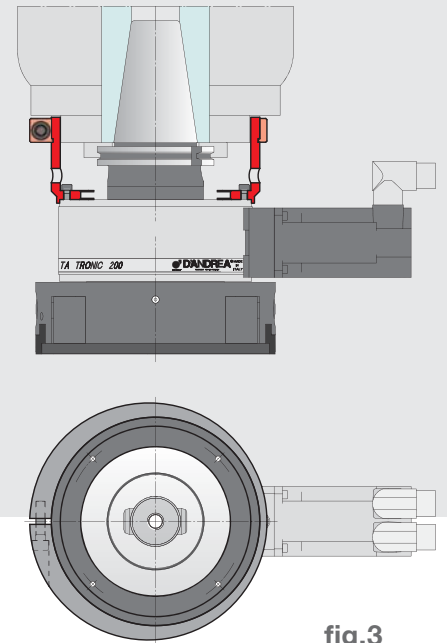


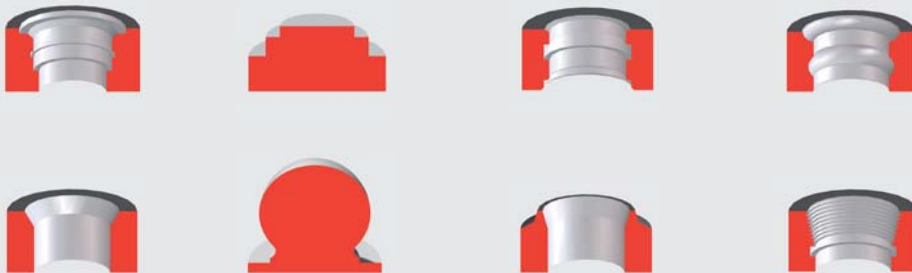
fig.3

PL Głowice TA-TRONIC montowane są na obrabiarce przy użyciu stożka (4). Sworzień zapobiegający obrotom (8), umieszczony w płytce (10) i zablokowany na głowicy obrabiarki, uniemożliwia ruch obrotowy korpusu stałego TA-TRONIC. Płytkę (10) należy przymocować do korpusu stałego wokół wrzeciona (rys. 1), regulując wysokość przekładką odległościową S. W przypadku skomplikowanych obróbek, zaleca się nałożenie kołnierza sztywno łączącego TA-TRONIC z głowicą obrabiarki (rys. 2-3). W przypadku modeli TA-TRONIC 160 i 200 zaleca się stałe stosowanie kołnierza. Rodzaj kołnierza zależy od modelu maszyny i może być skonstruowany przez Klienta lub dostarczony przez firmę D'Andrea.

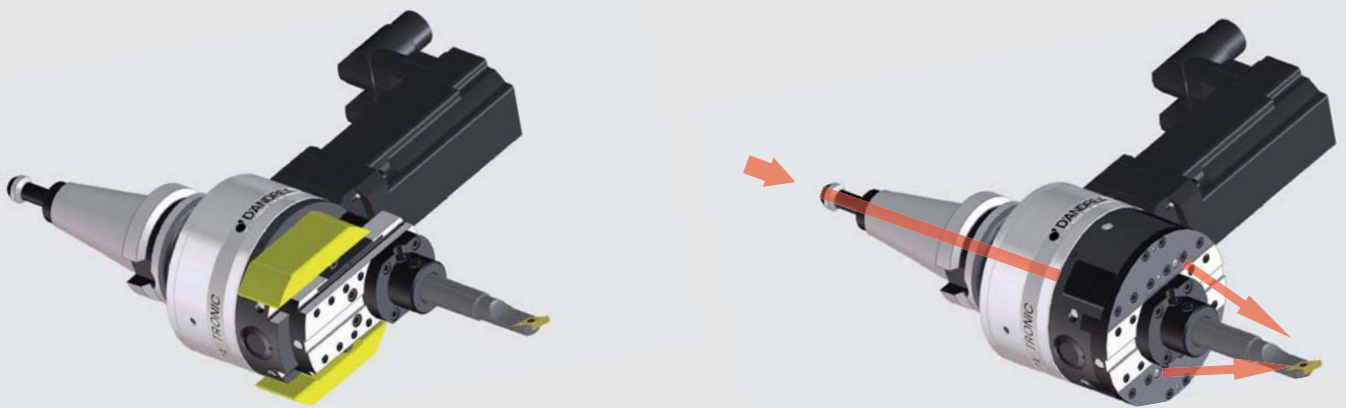
CZ TA-TRONIC se namontuje na stroj pomocí kužele (4). Antirotační kolík (8) se vloží do čepu (10) zablokovaného na hlavě obráběcího stroje a brání tak rotaci upevněného těla TA-TRONIC. Čep (10) se aplikuje na fixní část kolem vřetena, obr. 1, a tak se nastaví výška indikovaná tloušťkou S. Pro náročné obrábění se doporučuje použít přírubu, aby došlo k pevnému spojení TA-TRONIC s hlavou obráběcího stroje (obr. 2-3). V případě TA-TRONIC 160 a 200 se doporučuje použít přírubu vždy. Typ použité příruby závisí na modelu stroje a zákazník si ji může snadno vyrobit nebo ji může dodat společnost D'Andrea.

TR TA-TRONIC, bir konik (4) vasitasiyla makineye monte edilir. İşleme takımının kafasına sabitlenmiş kilavuz pim (10) yerleştirilen bir dönüş önleme pimi (8), TA-TRONIC sabit gövdesinin dönmesini önler. Kilavuz pim (10), şek. 1'deki gibi milin çevresindeki bir sabit parçaya takılır ve S kalınlığı ile gösterilen yükseklik ayarı yapılır. Ağır işleme faaliyetlerinde, TA-TRONIC'in işleme takımı kafasına sağlam bir şekilde sabitlenmesi için flanş kullanılması önerilir (şek. 2-3). TA-TRONIC 160 ve 200 flanşlarının kullanılması mutlaka önerilir. Kullanılacak flanş makinenin modeline göre değişir ve D'Andrea tarafından tedarik edilebileceği gibi Müşteri tarafından da kolayca oluşturulabilir.

D'ANDREA TA-TRONIC



- BALANCING AND COOLANT SUPPLY
- БАЛАНСИРОВКА И ПОДВОД СОЖ
- WYRÓWNOWAŻANIE I DOPROWADZANIE CIECZY CHŁODZĄCEJ
- VYVAŽOVÁNÍ A PŘÍVOD CHLADICÍ KAPALINY
- DENGELEME VE SOĞUTMA SIVISI BESLEMESİ



GB TA-TRONIC heads are designed with two counter-weights for automatic balancing, that move opposite to the slide. Coolant exits from the two adjustable nozzles in the TA-TRONIC located next to the slide after crossing the taper and the rotating body of the head.

RU Головки TA-CENTER были разработаны с двумя противовесами для автоматической балансировки, которые движутся в направлении, противоположном салазкам. В TA-CENTER охлаждающая жидкость выходит из двух регулируемых сопел, расположенных рядом с салазками после пересечения конуса и вращающегося тела головки.

PL Głowice TA-TRONIC zostały wyposażone w dwa przesuwne przeciwwagi służące do automatycznego wyrównywania. Ciężary te poruszają się w kierunku przeciwnym do kierunku ruchu sań. W głowicach TA-TRONIC ciecz chłodząca wypływa przez nastawne dysze usytuowane obok sań narzędziowych, natychmiast po przejściu przez stożek i korpus obrotowy głowicy.

CZ Hlavy TA-TRONIC jsou navrženy se dvěma protizávažimi pro automatické vyvažování, která se pohybují opačně vůči šoupátku. Chladicí kapalina odchází ze dvou nastavitelných trysek v centru TA-TRONIC umístěných vedle šoupátka po křížení kužele a rotujícího těla hlavy.

TR TA-TRONIC kafaları, kızığa karşı hareket eden ve otomatik dengelemede kullanılan iki karşı ağırlıkla tasarlanmıştır. Soğutma sıvısı, konikten ve kafanın döner gövdesinden geçtikten sonra kızığın yanındaki TA-TRONIC'da bulunan ayarlanabilir iki nozuldan çıkar.



K02



REF.	CODE
K02 TA-T 100 1FK7022-5AK71-1HA5	501201000400
K02 TA-T 100 FANUC βis 1/6000	501201000800
K02 TA-T 100 AKM22C-ANBNC-00	501201000600
K02 TA-T 125 1FK7022-5AK71-1HA5	501201250400
K02 TA-T 125 FANUC βis 1/6000	501201250800
K02 TA-T 125 AKM22C-ANBNC-00	501201250600
K02 TA-T 160 1FK7032-2AK71-1EA2	501201600400
K02 TA-T 160 FANUC βis 1/6000	501201600800
K02 TA-T 160 AKM22C-ANBNC-00	501201600600
K02 TA-T 200 1FK7032-2AK71-1EA2	501202000400
K02 TA-T 200 FANUC βis 1/6000	501202000800
K02 TA-T 200 AKM22C-ANBNC-00	501202000600

K03



1 P120 1 P130

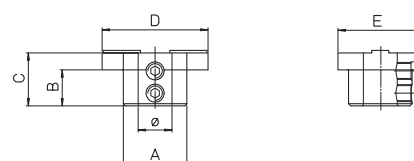
REF.	CODE
KIT K03 TA-T 100-125	501200301001
KIT K03 TA-T 160-200	501200301601

• Complete range of cones on page 17 • Полная гамма конусов на стр.17 • Kompletna gama stożków na str. 17
 • Kompletní řada kuželů na straně 17 • Sf.17'deki tüm koni ürünleri

MHD'



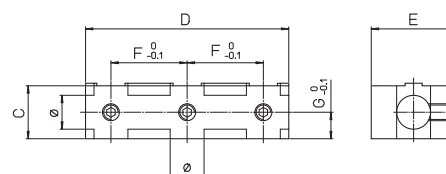
REF.	MHD'
TA-T 100-125	50
TA-T 160-200	80



P 120

	REF.	CODE	Ø H7	A	B	C	D	E	Kg.
	P120	431550160250	16	30	17	25	50	40	0.2
		431550250380	25	47	27.5	38	76	54	0.55

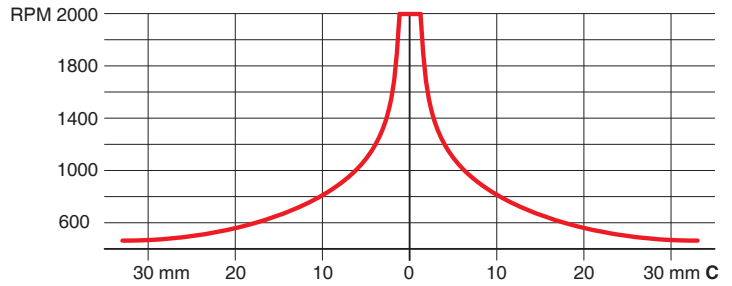
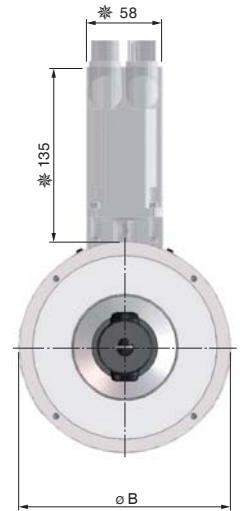
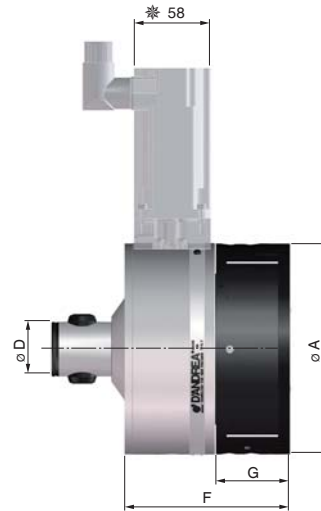
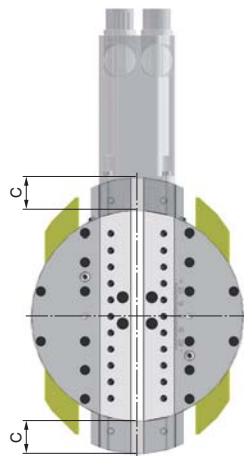
P 130



	REF.	CODE	Ø H7	C	D	E	F	G	Kg.
	P130	433040250950	16	25	95	40	37	10.5	0.5
		433054381520	25	38	152	54	59.5	16.5	1.6



- TECHNICAL DATA
- TECHNISCHE DATEN
- DATOS TECNICOS
- DONNÉES TECHNIQUES
- DATI TECNICI

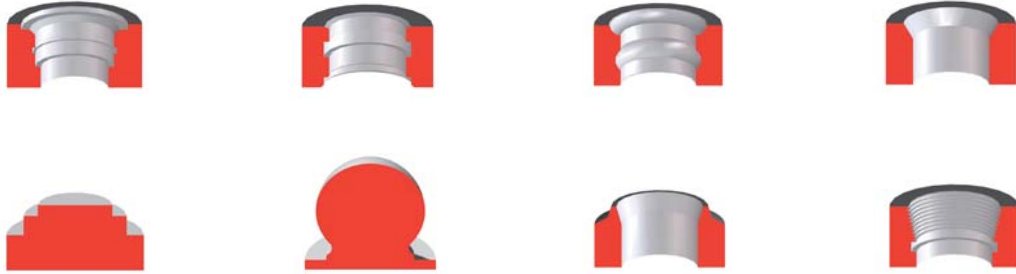


		TA-T 100	TA-T 125	TA-T 160	TA-T 200
Ø A	mm	100	125	160	200
Ø B	mm	100.5		160.5	
C	mm	± 12	± 17	± 25	± 32.5
Ø D	mm	(MHD'50) 32	$\begin{matrix} -0.005 \\ -0.008 \end{matrix}$	(MHD'80) 42	$\begin{matrix} -0.005 \\ -0.008 \end{matrix}$
F	mm	89	93	125	
G	mm	40.5	44.5	56	
Ø L	mm	10 ~ 72	10 ~ 81	20 ~ 109	20 ~ 124
M	mm	75		125	
Ø N	mm	72 ~ 122	63 ~ 131	103 ~ 203	88 ~ 218
O	mm	100		160	
Ø P	mm	122 ~ 200	131 ~ 250	203 ~ 320	218 ~ 400
Q	mm	25.5		38.5	
Max. mm/min	mm/min	1 ÷ 500			
Max. \varnothing /min	RPM	2000	1800	1600	1400
• Weight without the cone and motor • Вес без конуса и двигателя • Waga bez stożka i silnika • Hmotnost bez kužele a motoru • Konisiz ve motorsuz ağırlık	Kg	4.2	6.3	15.5	20.5
• Radial force • Радиальная сила • Siła radialna • Radialní síla • Radyal kuvvet	daN	150		250	
• Torque • Вращающий момент • Moment skręcający • Kroutici moment • Tork	Nm	400		800	
• Boring accuracy • Точность расточки • Precyzja wytaczania • Přesnost vrtání • Delik açma hassasiyeti		H7			
• Max chip removal • Максимум удаления • Maksymalne usuwanie nadaddku • Max likvidace špon • Maks. talaş giderimi	mm ² C40	0,75	0,85	1	
• Roughness • Широховатость • Chropowatość powierzchni • Drsnost • Pürüzlülük	Ra	0,8 ~ 1,2			

• * Rough measures that may vary on changing the motor. • * Размеры приблизительные и могут варьировать в зависимости от двигателя • Wymiary orientacyjne, uzależnione od typu silnika. • * Hrubé míry se mohou měnit při výměně motoru. • * Motora göre değişebilen kaba ölçümlerdir.

D'ANDREA

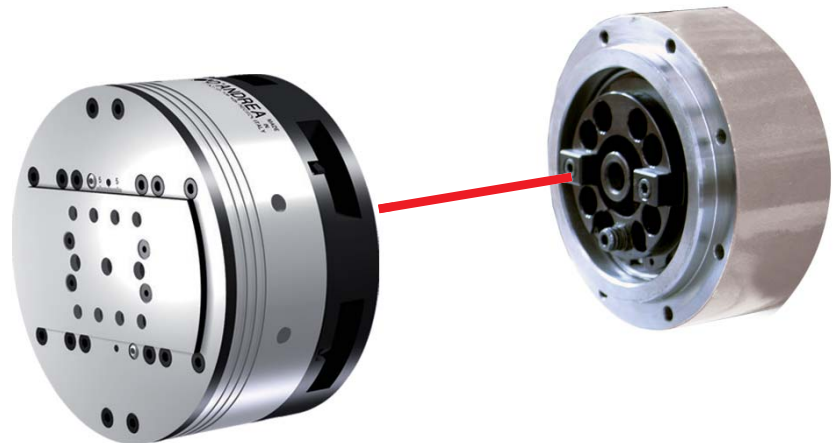
U-COMAX



Unit and transfer solutions



- GENERAL FEATURES
- ОБЩИЕ ХАРАКТЕРИСТИКИ
- DANE OGÓLNE
- OBECNÉ VLASTNOSTI
- GENEL ÖZELLİKLER



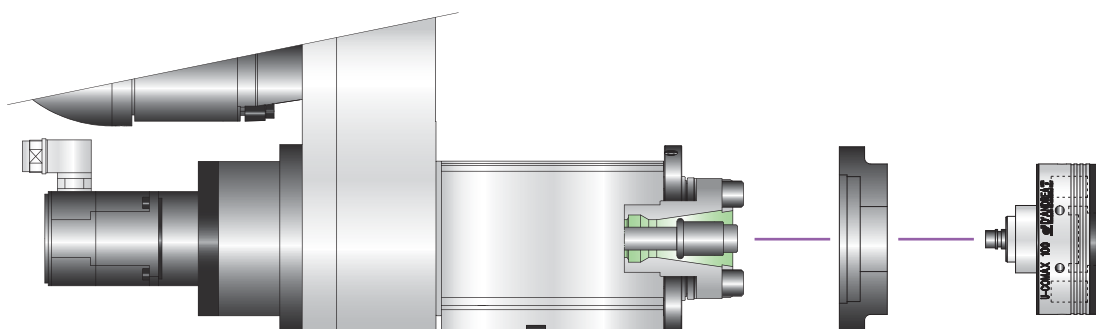
GB U-Comax boring and facing heads are axial command heads designed to be used on transfer machines, machining units, and special machinery. Even during rotation the feed control of the toolholder slide is commanded by a U-Drive drive unit, mounted behind the spindle and managed directly by the NC of the machine tool. U-Comax heads are used for inner facing, outer facing, back-facing, inner and outer turning operations, grooves, phonographic grooves, cylindrical and conical threading, conical and variable boring, concave and convex and spherical operations, corner rounding, through interpolation with the other the machine axes.

RU Расточные и торцовочные головки U-Comax – это головки с осевым контролем, предназначенные для использования на агрегатных и специальных станках. Управление подачей салазок с держателем инструмента во время вращения осуществляется с помощью привода U-Drive, установленного за шпинделем и управляемого непосредственно с ЧПУ станка. Головки U-Comax используются для операций внутренней, внешней и обратной торцовки, внешних внутренних токарных работ, канавок, фоновграфических фланцев, цилиндрических и конических резьб, конической, также переменной расточки, вогнутых и выпуклых радиусов, путем интерполяции с другими осями машины.

PL Głowice wytaczarskie typu U-Comax są głowicami sterowanymi osiowo, dedykowanymi do wykorzystania na urządzeniach typu transfer, jednostkach obróbczych lub maszynach specjalnych. Kontrola przesuwu sań narzędziowych w trakcie obróbki odbywa się z wykorzystaniem specjalnego napędu U-Drive zamontowanego z tyłu wrzeciennika. Sterownik U-Drive zarządzany jest bezpośrednio z układu sterowania obrabiarki. Głowice U-Comax mogą być wykorzystywane do wykonywania operacji toczenia wewnętrznego i zewnętrznego, wykonywania rowków, toczenia powierzchni wewnętrznych i zewnętrznych, kanałów, spiral fonograficznych, gwintowania cylindrycznego i stożkowego, wytaczania zmiennych powierzchni stożkowych, wykonywania wytoczeń promieni wklęsłych i wypukłych, wykonywania operacji sferycznych poprzez interpolację z pozostałymi osiami maszyny.

CZ Vyrťavací hlavy a lícní desky U-Comax jsou osově řízené hlavy navržené pro použití na obráběcích strojích, obráběcích jednotkách a speciální strojích. I během rotace je ovládání posuvu šoupátka nástrojového držáku řízeno hnací jednotkou U-Drive namontovanou ze vřetenem a řízenou přímo NC obráběcího stroje. Hlavy U-Comax se používají pro čelní soustružení vnitřních povrchů, čelní soustružení vnějších povrchů, zpětné čelní soustružení, obráběcí operace vnitřních a vnějších povrchů, drážkování, kónického a proměnného vyvrťávání, konkávní, konvexní a sférické operace, zaoblování rohů pomocí interpolace s ostatními osami stroje.

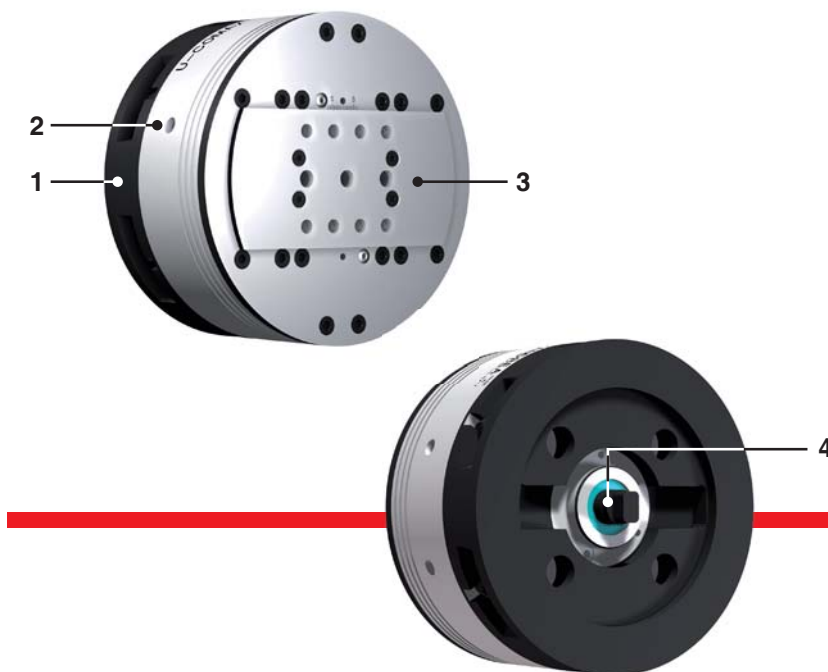
TR U-Comax delik açma ve diş yüzey hazırlama kafaları, aktarma makinelerinde, işleme ünitelerinde ve özel makinelerde kullanılmak üzere tasarlanmış eksenel komut kafalarıdır. Dönüş sırasında bile, takım tutucu kazağının besleme kontrolü, milin gerisine monte edilmiş ve doğrudan işleme takımının NC'si tarafından yönetilen U-Drive tahrik ünitesi tarafından komuta edilir. U-Comax kafaları iç/diş yüzey hazırlama, arka yüzey hazırlama, iç/diş tornalama, yiv açma, fonografik yiv açma, silindirik ve konik diş açma, konik ve değişken delik açma, konkav/konveks (içbükey/dişbükey) ve küresel işlemler, köşe yuvarlama işlerinde kullanılır (diğer makinenin akslarıyla ara kutulanarak).



D'ANDREA U-COMAX

- COMPONENTS
- СОСТАВЛЯЮЩИЕ
- ELEMENTY SKŁADOWE
- SOUČÁSTI
- BİLEŞENLER

- 1
 - Adapter flange to the machine
 - Переходный фланец
 - Kołnierz dostosowujący do maszyny
 - Příruba adaptéru na stroji
 - Makineye giden adaptör flanşı
- 2
 - Rotating body
 - Вращающийся корпус
 - Korpus obrotowy
 - Rotující díl
 - Döner gövde
- 3
 - Toolholder slide
 - Салазки резцедержателя
 - Sanie narzędziowe
 - Šoupátko nástrojového držáku
 - Takım tutucu kızağı
- 4
 - Drive shaft
 - Трансмиссионный вал
 - Wał napędowy
 - Hřídel pohonu
 - Tahrik mili



GB The U-Drive drive unit for U-Comax heads is mounted behind the spindle of the machine. It is controlled by an axis of the numerical control and mechanically connected to the U-Comax head drive with a transmission shaft that crosses the spindle of the machine. The U-Drive drive unit can be configured in various ways depending on the required application and the design of the machine.

RU Привод U-Drive для головок U-Comax устанавливается за шпинделем станка, управляется осью с ЧПУ и механически подсоединен к приводу головок U-Comax с трансмиссионным валом, который пересекает шпиндель станка. Привод U-Drive может принимать различные конфигурации в зависимости от назначения и конструкции станка.

PL Układ napędowy U-DRIVE dla głowic U-Comax instalowany jest w tylnej części wrzeciennika i sterowany jest przez oś sterownika numerycznego. Ponadto jest mechanicznie podłączony do napędu głowic U-Comax poprzez wał przechodzący przez wrzeciono obrabiarki. Układ napędowy U-DRIVE może występować w różnych konfiguracjach w zależności od aplikacji i struktury maszyny.

CZ Hnací jednotka U-Drive pro hlavy U-Comax je namontována za vřetenem stroje. Je ovládána osou numerického řízení a je mechanicky připojena na hnací jednotku U-Comax pomocí převodové hřídele, která kříží vřeteno stroje. Hnací jednotka U-Drive může být konfigurována různými způsoby v závislosti na požadovaném použití a konstrukci stroje.

TR U-Comax kafaları için kullanılan U-Drive tahrik ünitesi, makine milinin arkasına monte edilir. Ünite, makine milinden geçen bir aktarma mili aracılığıyla U-Comax kafası düzenine mekanik olarak bağlanmıştır ve nümerik kontrolün ekseninden kumanda edilir. U-Drive tahrik ünitesi, makine tasarımına ve gerekli olan uygulamaya bağlı olarak pek çok farklı şekilde konfigüre edilebilir.



U-COMAX

U-DRIVE



- APPLICATION
- ПРИМЕНЕНИЕ
- APLIKACJA
- POUŽITÍ
- UYGULAMA

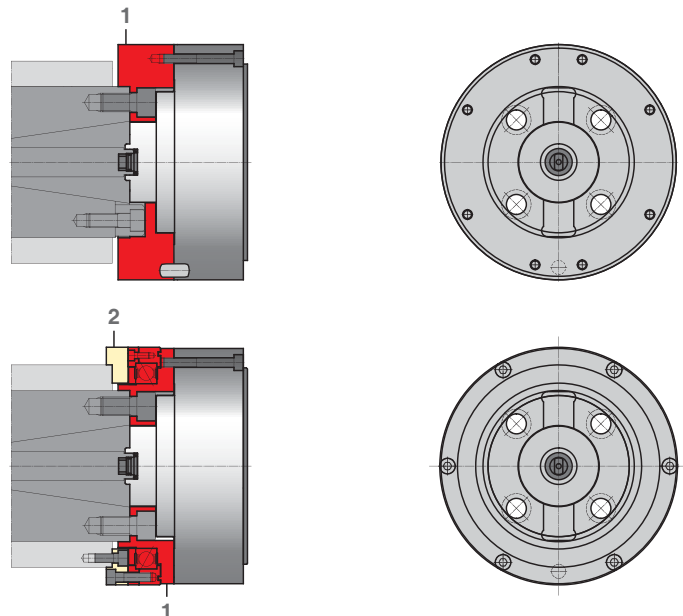
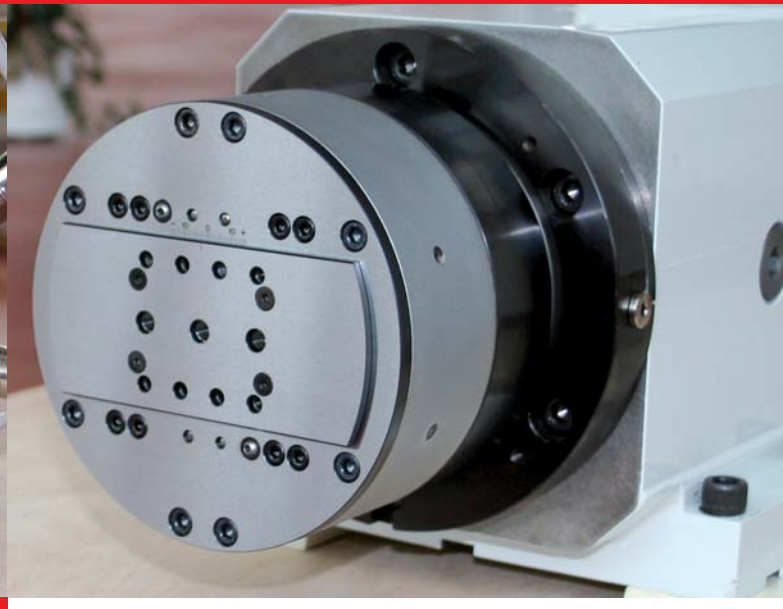
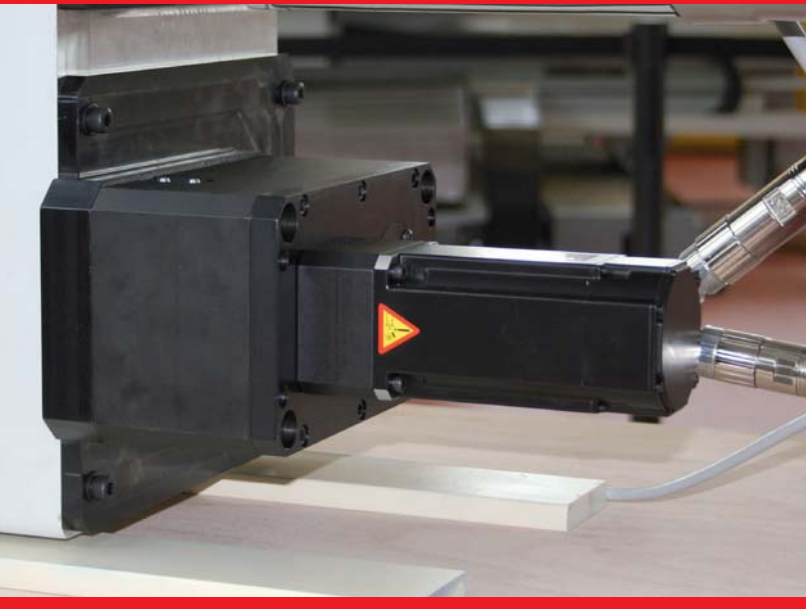
GB U-COMAX is installed on the machine by a flange (1) and where required with a connection (2) ring. The flange and connection ring type to use depend on the model of the machine and can be easily constructed by the Customer or provided by D'Andrea.

RU Головки U-COMAX устанавливаются на станке с помощью фланца (1) и, при необходимости, с применением соединительного кольца (2). Тип используемого фланца и соединительного кольца зависит от модели станка и могут быть легко построены заказчиком или поставлены компанией D'Andrea.

PL Głowice U-COMAX montowane są na maszynie przy użyciu kołnierza (1) oraz, jeśli to konieczne, pierścienia łączącego (2). Rodzaj kołnierza i pierścienia zależą od modelu maszyny i mogą być z łatwością skonstruowane przez Klienta lub dostarczone przez firmę D'Andrea.

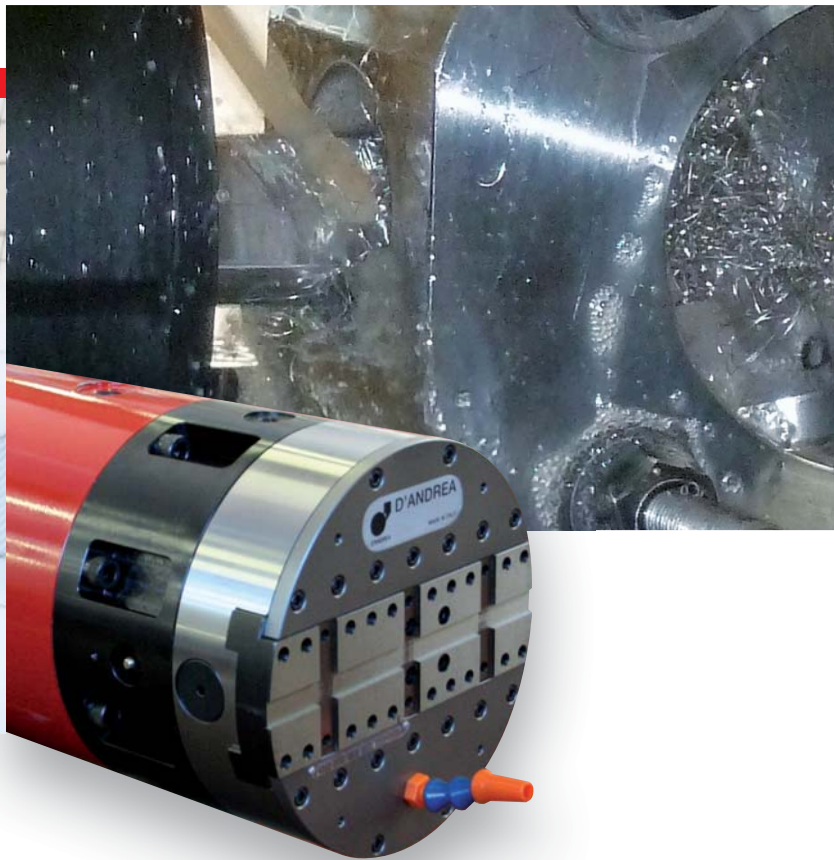
CZ U-COMAX je instalován na stroji pomocí příruby (1) a podle potřeby spojovacím kroužkem (2). Typ použité příruby a spojovacího kroužku závisí na modelu stroje a zákazník si je může snadno vyrobit nebo je může dodat společnost D'Andrea..

TR U-COMAX, bir flanş (1) ve gereken durumlarda bir bağlantı halkası (2) aracılığıyla makinenin üzerine takılır. Kullanılacak flanş ve bağlantı halkası makinenin modeline göre değişir ve D'Andrea tarafından tedarik edilebileceği gibi Müşteri tarafından da kolayca oluşturulabilir.



D'ANDREA U-COMAX

- BALANCING AND COOLANT SUPPLY
- БАЛАНСИРОВКА И ПОДВОД СОЖ
- WYRÓWNOWAŻANIE I DOPROWADZANIE CIECZY CHŁODZĄCEJ
- VYVAŽOVÁNÍ A PŘÍVOD CHLADICÍ KAPALINY
- DENGELEME VE SOĞUTMA SIVISI BESLEMESİ



GB U-COMAX heads are designed with two counter-weights for automatic balancing, which move opposite to the slide making it possible to machine at a higher number of rpm without noticeable oscillations.

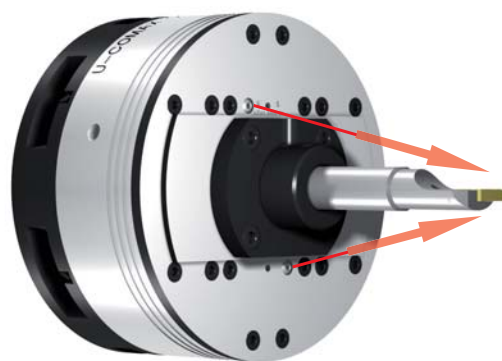
RU Привод U-Drive для головок U-Comax устанавливается за шпинделем станка, управляется осью с ЧПУ и механически подсоединен к приводу головок U-Comax с трансмиссионным валом, который пересекает шпиндель станка. Привод U-Drive может принимать различные конфигурации в зависимости от назначения и конструкции станка.

PL Układ napędowy U-DRIVE dla głowic U-Comax instalowany jest w tylnej części wrzeciennika i sterowany jest przez oś sterownika numerycznego. Ponadto jest mechanicznie podłączony do napędu głowic U-Comax poprzez wał przechodzący przez wrzeciono obrabiarki. Układ napędowy U-DRIVE może występować w różnych konfiguracjach w zależności od aplikacji i struktury maszyny.

CZ Hlavy U-COMAX jsou navrženy se dvěma protizávažími pro automatické vyvažování, která se pohybují opačně vůči šoupátku, což umožňuje obrábět při vyšším počtu otáček za minutu bez zaznamenaných oscilací.

TR U-COMAX kafaları, kazağa karşı hareket ederek hissedilir bir osilasyon olmaksızın daha yüksek devirlerde işleme yapılabilmesini mümkün kılan otomatik dengeleme için iki adet karşı ağırlıkla donatılmıştır.





GB Internal grooves that allow coolant to pass through from the machine spindle to two adjustable nozzles located next to the slide are provided inside U-COMAX rotating body. This noteworthy advantage ensures longer duration of the insert, quicker cutting speed and the obtainment of good surface finishes. The centralized supply of coolant does not harm the U-COMAX whose inner labyrinths are protected by an o-ring. It is advisable not to exceed a pressure of 40 BAR. U-COMAX heads are designed for automatic lubrication with oil sprayed on the slide guiding rails and lead screw.

RU Внутри вращающегося тела U-COMAX предусмотрены канавки, позволяющие прохождение СОЖ от шпинделя станка до двух регулируемых сопел, расположенных рядом с салазками. Это значительное преимущество обеспечивает длительный срок службы пластин, большую скорость резания и получения поверхностной отделки хорошего качества. Централизованный подвод жидкого хладагента не вредит U-COMAX, внутренние лабиринты которого находятся под защитой уплотнительного кольца. Не рекомендуется превышать 40 бар давления. В головках U-COMAX предусмотрена смазка распыленным маслом направляющих скольжения и ходового винта.

PL Wewnątrz korpusu obrotowego U-COMAX znajdują się kanały umożliwiające przepływ cieczy chłodzącej od wrzeciona maszyny, aż do nastawnych dysz umieszczonych obok sań narzędziowych. Zastosowanie tej metody chłodzenia umożliwia uzyskanie wyższej żywotności narzędzia, zwiększenie prędkości skrawania i uzyskanie dobrych jakościowo powierzchni po obróbce. Scentralizowane doprowadzanie cieczy chłodzącej nie niszczy głowicy U-Comax, której labirynty wewnętrzne chronione są przez wykorzystanie odpowiednich pierścieni uszczelniających. Zaleca się, aby ciśnienie chłodziwa nie przekraczało wartości 40 BAR. Głowice typu U-Comax są zaprojektowane z automatycznym smarowaniem (przy użyciu rozpylonego oleju) prowadnic ślizgowych oraz śruby pociągowej.

CZ Uvnitř rotujícího těla U-COMAX jsou vnitřní drážky umožňující průchod chladicí kapaliny z vretena stroje do dvou nastavitelných trysek umístěných vedle šoupátka. Tato pozoruhodná přednost zajišťuje delší životnost vložky, větší rychlost frézování a docílení dobré povrchové úpravy. Centralizovaný přívod chladicí kapaliny nepůsobí poškození U-COMAX, jehož vnitřní kanály jsou chráněny o-kroužkem. Je žádoucí nepřekračovat tlak 40 BARů. Hlavy U-Comax jsou navrženy pro automatické mazání olejem rozstříkovaným na vodící kolejničky šoupátka a vodící šroub.

TR Soğutma sıvısının makineden geçerek kızağın yanındaki ayarlanabilir iki nozula ulaşmasını sağlayan iç yivler, U-COMAX döner gövdesinin içindedir. Bu önemli özellik, ek parçanın daha uzun süre kullanılabilmesini, kesme hızının artırılmasını ve daha iyi yüzey bitirme sonuçlarının elde edilmesini sağlar. Merkezi soğutma sıvısı beslemesi, O-halka ile korunan U-COMAX iç sızdırmazlık elemanlarına zarar vermez. 40 BAR basıncın üzerine çıkılmaması önerilir. U-Comax kafaları, kızağın kılavuz rayları ve vida açma mili üzerine yağ püskürtülerek otomatik yağlanır.

D'ANDREA

U-COMAX

- SUPPLY
- ПОСТАВКА
- DOSTAWA
- PŘÍVOD
- BESLEME

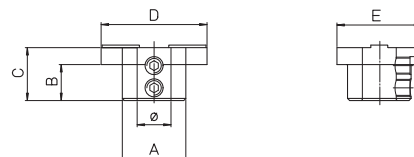


K02



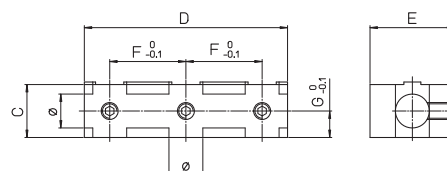
REF.	CODE
K02 CMX 100	500510010001
K02 CMX 125	500512510001
K02 CMX 160	500516010001
K02 CMX 200	500520010001

P 120



	REF.	CODE	ØH7	A	B	C	D	E	Kg.
CMX 100	P120	431550160260	16	30	17	25	40	37.5	0.15
CMX 125		431550160261			16				
CMX 160		431550250390	25	56	36	38	61	58	0.55
CMX 200		431550250391			24				

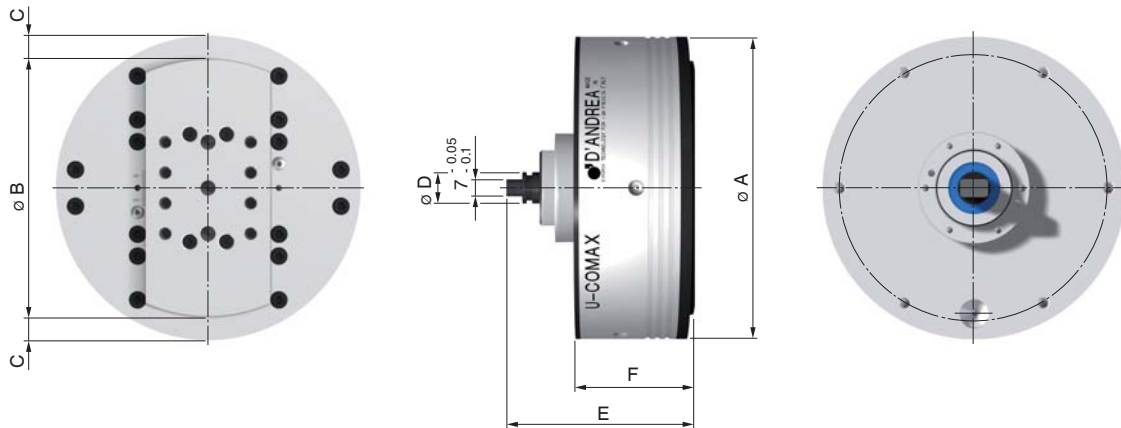
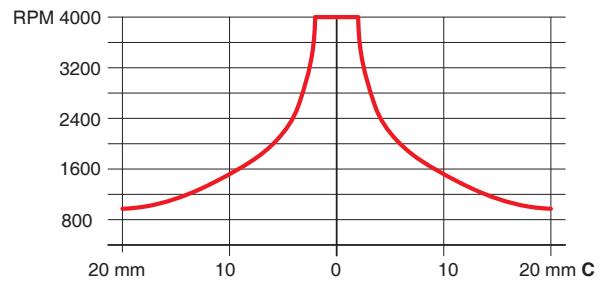
P 130



	REF.	CODE	ØH7	C	Ø D	E	F	G	Kg.
CMX 100	P130	433037250650	16	25	65	37.5	22	10.5	0.25
CMX 125		433046250810			81				
CMX 160		433058381030	25	38	103	58	35	16.5	0.9
CMX 200		433072381330			133				

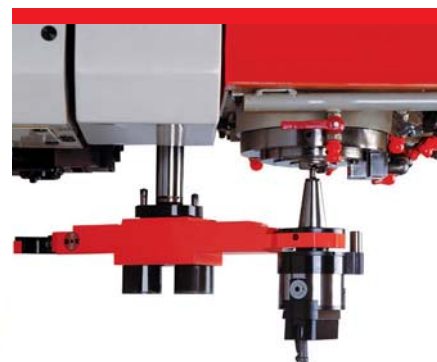
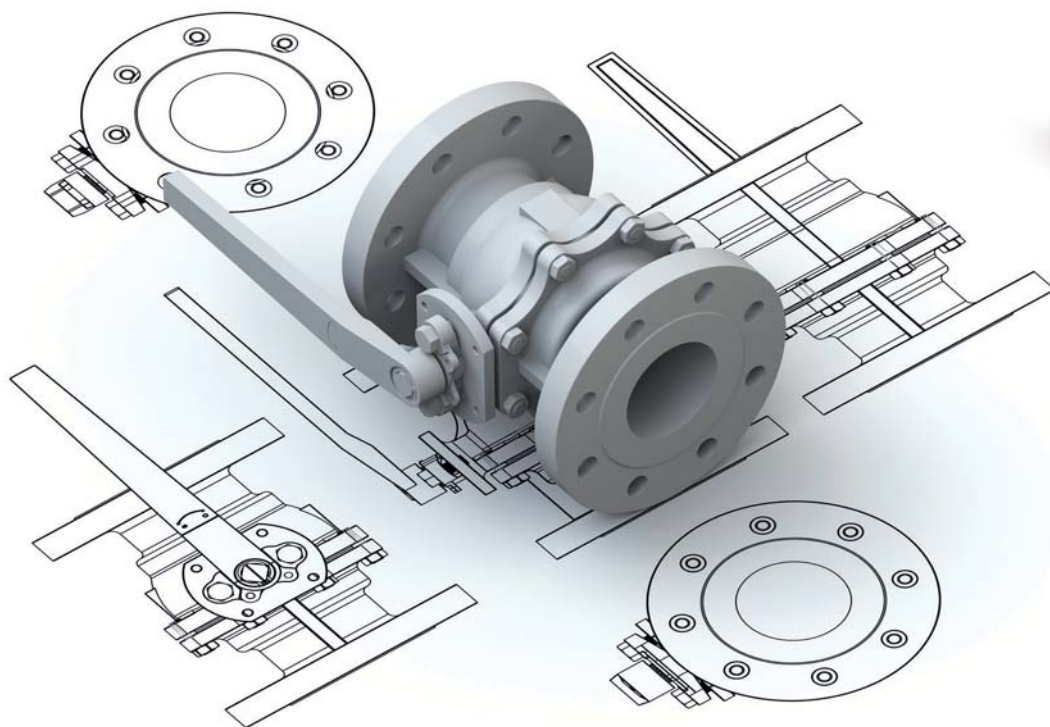


- TECHNICAL DATA
- ТЕХНИЧЕСКИЕ ДАННЫЕ
- DANE TECHNICZNE
- TECHNICKÁ DATA
- TEKNİK VERİLER



		CMX 100	CMX 125	CMX 160	CMX 200
Ø A	mm	100.5	125	160	200
Ø B	mm	83	105	128	167
C	mm	± 9	± 12	± 16	± 20
Ø D	mm	13 ^{-0.01} _{-0.02}		15 ^{-0.01} _{-0.02}	
E	mm	86.5		109.5	
F	mm	52.5		69	68
Ø G	mm	10 ~ 62	10 ~ 72	20 ~ 81	20 ~ 109
H	mm	60	75	100	125
Ø I	mm	62 ~ 102	72 ~ 122	81 ~ 131	103 ~ 203
L	mm	80	100	125	160
Ø M	mm	122 ~ 160	122 ~ 200	131 ~ 250	203 ~ 320
N	mm	25.5		38.5	
Max. mm/min	mm/min	1 ÷ 500			
Max. ◊/min	RPM	4000	3600	3200	2800
• Weight • Вес • Ciężar • Hmotnost • Ağırlık	Kg	2.4	3.2	9.8	11.5
• Radial force • Радиальная сила • Siła radialna • Radiální síla • Radyal kuvvet	daN	150		250	
• Torque • Вращающий момент • Moment skręcający • Kroučící moment • Tork	Nm	400		800	

- GENERAL FEATURES
- ОБЩИЕ ХАРАКТЕРИСТИКИ
- DANE OGÓLNE
- OBECNÉ VLASTNOSTI
- GENEL ÖZELLİKLER



GB Facing heads with automatic feed and quick return of the slide without stopping or reversing the spindle of the machine tool. Available in 4 models: AR 100, AR 125, AR 160 and 200; they have got a feed and quick return. To change the feed, some interchangeable, optional, gear blocks are available, for feeds in mm/rev. of: 0.05; 0.10; 0.20; 0.30; 0.40; 0.60 and a quick return of 0.08 mm/rev. The interchangeable arbor uses the same locking system used in the MHD' modular system. A simple attachment of the toolholders to the slide favours the manufacturing of special toolholders.

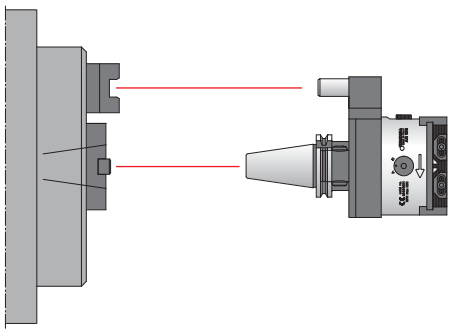
RU Торцовочные головки с автоматической подачей и быстрым возвратом салазок без остановки или инверсии шпинделя станка. Изготовленные в 4 моделях: AR 100, AR 125, AR 160 и AR200; они снабжены подачей и быстрым возвратом. Для варьирования подачи предусмотрены взаимозаменяемые блоки передач, опциональные, для подач в мм/об: 0,05; 0,10; 0,20; 0,30; 0,40; 0,60 и быстрое возвращение 0,80 мм/об. Взаимозаменяемый конус использует то же крепление, что и модульная система MHD'. Простое крепление держателя к салазкам упрощает создание специальных держателей.

PL Głowice wytaczarskie z posuwem automatycznym i szybkim powrotem sań narzędziowych, nie wymagające do zakończenia operacji wyłączenia obrotów, bądź zmiany kierunku obrotów wrzeciona. Wykonywane w cztery wielkościach: AR100, AR125, AR160, AR200 z szybkim posuwem i ruchem powrotnym. Posiadają specjalne przekładnie zębate (opcjonalne), zmieniające obroty wrzeciona w ruch posuwowy o wartości 0.05; 0.10; 0.20; 0.30; 0.40 i 0.60mm/obrót i szybki ruch powrotny o wartości 0.80mm/obrót. Stożek wymienny umożliwia wykorzystanie tego samego złącza co system modułowy MHD'. Bardzo prosty sposób mocowania oprawek narzędziowych do sań umożliwia wykorzystanie oprawek specjalnych/zadaniowych.

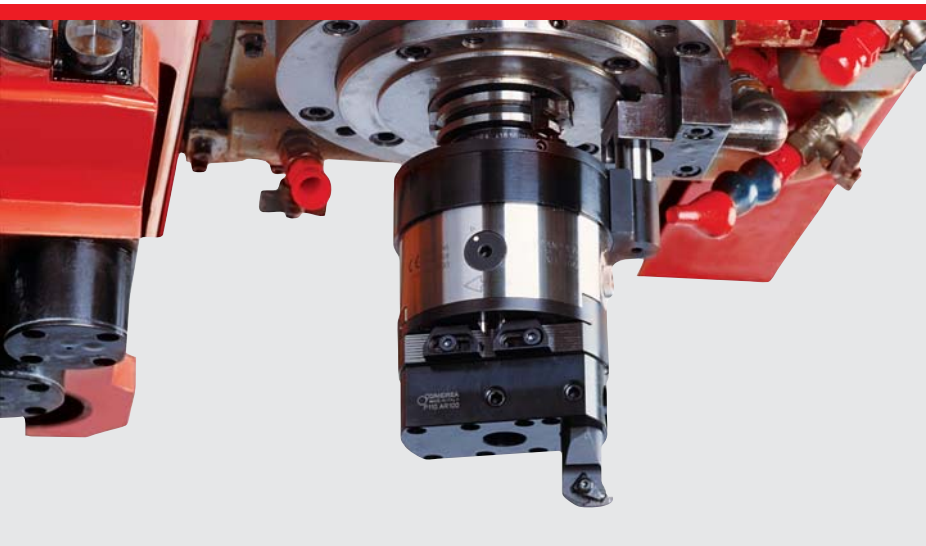
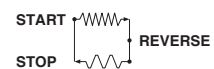
CZ Lícni desky s automatickým posuvem a rychlým návratem šoupátka bez zastavení či obrácení vřetena obráběcího stroje. Jsou k dispozici ve 4 modelech: AR 100, AR 125, AR 160 a AR 200; mají posuv a rychlý návrat. Pro změnu posuvu jsou k dispozici vyměnitelné, volitelné převodové bloky pro posuvy v mm/ot.: 0,05; 0,10; 0,20; 0,30; 0,40; 0,60 a rychlý návrat 0,08 mm/ot. Vyměnitelné vřeteno používá tentýž blokovací systém jako je používaný v modulárním systému MHD. Jednoduché připevnění nástrojových držáků k šoupátku napomáhá výrobě speciálních nástrojových držáků.

TR İşleme takımı milinin durmasına veya ters dönmesine neden olmadan kazağın hızlıca geri dönmelerini sağlayan ve otomatik besleme sunan dış yüzey hazırlama kafaları. 4 model olarak mevcuttur: AR 100, AR 125, AR 160 ve AR 200; her biri otomatik besleme ve hızlı geri dönüş özelliğine sahiptir. 0,05; 0,10; 0,30; 0,20; 0,40; 0,60 mm/dev'deki beslemeler ve 0,08 mm/dev'de hızlı geri dönüşler için, beslemenin değiştirilmesinde kullanılan ve bazıları birbirleriyle değiştirilebilen, isteğe bağlı takım blokları mevcuttur. Birbiriyle değiştirilebilen malafalar, MHD' modüler sisteme kullanılanla aynı kilitleme sistemini kullanırlar. Takım tutucuların kazağa kolay bir şekilde sabitlenebilmesi, özel takım tutucuların üretilmesini kolaylaştırır.





For automatic facing



GB The AUTORADIAL heads are applicable on machining centres and on N.C. machines and, without the need of any electronic interface, they can execute automatically a working cycle of: facing, backfacing, internal or external grooving for spring washers and O-rings, record spiral cutting on flanges. The cycle is composed of the working feed and of the quick return of the slide without ever stopping or reversing the rotation of the spindle. To reset the cycle, merely reverse the spindle rotation for a few revolutions.

RU AUTORADIAL применяются в обрабатывающих центрах и станках с числовым управлением, не требуют электронного интерфейса или сервоуправления. Автоматически выполняют цикл торцевания, обратного торцевания, фоновграфический фланец, внутреннее или внешнее гнездо для стопорного кольца или уплотнительного кольца. Цикл включает автоматическую подачу и быстрый возврат салазок, без остановки или инверсии шпинделя станка. Восстановление цикла осуществляется путем простого изменения направления вращения шпинделя в течение нескольких оборотов.

PL Głowice AUTORADIAL wykorzystywane są na centrach obróbczych oraz innych obrabiarkach sterowanych numerycznie, bez konieczności podłączania głowicy do interfejsu elektronicznego lub układu zamkniętego. Umożliwiają wykonywanie operacji automatycznego planowania, wykonywania rowków, obsadek wewnętrznych i zewnętrznych pod pierścienie elastyczne typu O-ring, wykonywania spirali fonograficznej na kotłierzach. Cykl pracy składa się z posuwu roboczego i szybkiego powrotu sań do położenia wyjściowego bez konieczności zatrzymania lub zmiany kierunku obrotów wrzeciona obrabiarki. Ponowne wykonanie kolejnego cyklu obróbczego można rozpocząć wykonując kilka obrotów wrzeciona w przeciwnym kierunku.

CZ Hlavy AUTORADIAL se dají používat na obráběcích centrech a na NC strojích a, aniž by bylo potřebné elektronické rozhraní, mohou automaticky provádět pracovní cyklus: čelní soustružení, zpětné čelní soustružení, interní nebo externí drážkování pružných podložek a o-kroužků, spirálové řezání na přírubách. Cyklus sestává z pracovního posuvu a rychlého návratu šoupátka bez jakéhokoliv zastavování či zpětného chodu rotace vřetene. Pro resetování cyklu pouze na několik otáček obraťte rotaci vřetene.

TR AUTORADIAL kafalar N.C. makinelerinde ve işleme merkezlerinde kullanılır ve elektronik bir arayüze ihtiyaç olmaksızın şu işleri otomatik olarak yapabilirler: dış yüzey hazırlama, arka yüzey hazırlama, yay pulları ve O-halkalar için iç/dış yiv açma, flanşlarda spiral kesme kaydetme. İş döngüsü, milin dönüşü durdurulmadan veya yönü ters çevrilmeden kazağın hızlıca geri dönmesinden ve çalışma parçasının beslenmesinden oluşur. Döngünün sıfırlanması için, milin birkaç tur tersine doğru döndürülmesi yeterlidir.

D'ANDREA AUTORADIAL

- COMPONENTS
- СОСТАВЛЯЮЩИЕ
- ELEMENTY SKŁADOWE
- SOUČÁSTI
- BİLEŞENLER

- 1**
- Override (A), return (R)
 - Переключатель подачи (A), возврата (R)
 - Przełącznik posuwu (A), powrotu (R)
 - Přejezd (A), návrat (R)
 - Devre dışı bırakma (A), geri dönüş (R)
- 2**
- Limit blocks
 - Концевой ограничитель
 - Płytki ogranicznika
 - Limitní bloky
 - Limit bloklar
- 3**
- Control screw
 - Винт подачи
 - Śruba sterująca
 - Kontrolní šroub
 - Kontrol vidası
- 4**
- Check pin
 - Стопорный штифт
 - Sworzeń zatrzymujący
 - Kontrolní kolík
 - Kontrol pimi
- 5**
- Interchangeable feed block
 - Блок взаимозаменяемой подачи
 - Wymienne przekładnie posuwu
 - Vyměnitelný posuvný blok
 - Birbiriyile değiştirilebilir besleme bloğu
- 6**
- Tool slide
 - Салазки резцедержателя
 - Sanie narzędziowe
 - Šoupátko nástroje
 - Takım kızağı

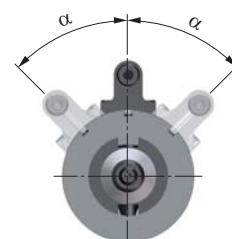
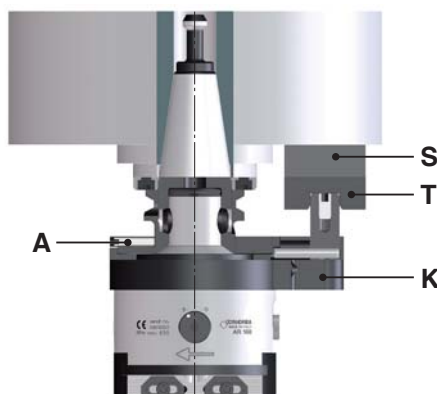
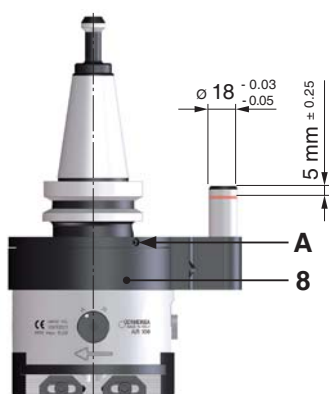
- 7**
- Interchangeable arbor
 - Взаимозаменяемый конус
 - Wymienny stożek
 - Vyměnitelné vřeteno
 - Birbiriyile değiştirilebilir malafa
- 8**
- Drive flange
 - Фланец протяжки
 - Kołnierz przeciągający
 - Příruba pohonu
 - Tahrik flanşı
- 9**
- Rotating body
 - Вращающийся корпус
 - Korpus obrotowy
 - Rotující díl
 - Döner gövde



- INSTRUCTIONS TO REPLACE THE FEED BLOCK
- ИНСТРУКЦИЯ ПО ЗАМЕНЕ БЛОКА ПОДАЧИ
- INSTRUKCJE DOTYCZĄCE WYMIANY PRZEKŁADNI POSUWU
- POKYNY PRO VÝMĚNU POSUVNÉHO BLOKU
- BESLEME BLOĞU DEĞİŞTİRME TALIMATLARI

- a**
- Loosen the screw 1
 - Ослабить винты 1
 - Poluzować śruby 1
 - Povolte šroub 1
 - Vidayı 1 gevşetin
- b**
- Extract block 5
 - Удалить блок 5
 - Wyjąć przekładnię 5
 - Vyndejte blok 5
 - Bloğu 5 çıkartın
- c**
- Insert new block 5 lubricated with ISO-UNI XM2 grease
 - Поместить новый блок 5 смазанный маслом ISO-UNI типа XM2
 - Włożyć nową przekładnię 5, uprzednio nasmarowaną smarem ISO-UNI typu XM2
 - Vložte nový blok 5 namazaný mazivem ISO-UNI XM2
 - ISO-UNI XM2 gresle yağlanmış yeni bloğu 5 yerleştirin
- d**
- Lock screw 1
 - Затянуть винты 1
 - Dokręcić śruby 1
 - Utáhněte šroub 1
 - Vidayı 1 sıkıp kilitleyin





- ASSEMBLY
- УСТАНОВКА
- MONTÁŽ
- MONTÁŽ
- MONTAJ

EN In the AUTORADIAL the slide is moved forward by holding back the drive flange (8) while the spindle is rotating. The T-block supplied with the K-NC KIT (K) is to be applied to a fixed part around the spindle, observing the measurements indicated. If the stroke of the check pin is not $5 \text{ mm} \pm 0.25$, you must adjust the position of the T-block using the spacer S. The angle α is freely adjustable by loosening the 3 screws (A), turning the flange (8) to the desired angle and tightening the screws (A).

RU В AUTORADIAL подача салазок осуществляется путем удержания фланца протяжки (8) во время вращения шпинделя. Вилка T входящая в комплект K-CN (K) устанавливается на фиксированной части вокруг шпинделя в соответствии с указанными кротоми. В случае, если ход стопорного штифта не равен $5 \text{ мм} \pm 0,25$, то необходимо отрегулировать положение вкладыша T с помощью прокладки S. Регулирование Угла α является свободным и достигается путем ослабления 3х винтов (A), поворота фланца (8) на нужный угол и втянуть винты (A).

PL W głowicach AUTORADIAL posuw sań możliwy jest dzięki przeciąganiu (8) podczas ruchu obrotowego wrzeciona. Płytkę T dostarczona wraz z ZESTAWEM K-NC (K) nakładana jest na korpus stały wokół wrzeciona, zgodnie ze wskazanymi odległościami. W przypadku gdy posuw sworzni zatrzymującego nie wynosi $5 \text{ mm} \pm 0,25$, koniecznym jest wyregulowanie pozycji płytki T, posługując się w tym celu podkładką odległościową S. Regulacja kąta α jest dowolna i możemy ją ustalić poprzez poluzowanie 3 śrub (A), obrócenie kołnierza (8) w taki sposób, by uzyskać żądany kąt oraz ponownie dokręcenie śrub (A).

CZ U hlav AUTORADIAL se šoupátko posune vpřed pomocí držení příruby pohonu (8), přičemž vřeteno rotuje. Blok T-block dodaný se sadou K-NC KIT (K) je třeba dát na pevnou část kolem vřetena při zachování indikovaných měř. Pokud zdvih kontrolního pinu není $5 \text{ mm} \pm 0,25$, musíte nastavit polohu T-bloku pomocí rozpěry S. Úhel α je volně nastavitelný povolením 3 šroubů (A), otočením příruby (8) do požadovaného úhlu a utažením šroubů (A).

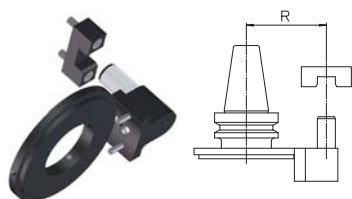
TR AUTORADIAL'da, mil dönerken tahrik flanşı (8) tutularak kızak ileri hareket ettirilir. K-NC KİTİ (K) ile verilen T-bloğu, belirtilen ölçüm değerlerine uyularak milin etrafındaki bir sabit parçaya uygulanacaktır. Kontrol piminin hareketi $5 \text{ mm} \pm 0,25$ değilse, S ara parçasını kullanarak T-bloğunun konumunu ayarlamaz gerekir. α açısı, 3 vida (A) gevşetilir flanş (8) döndürülerek istenen açığa ayarlanabilir ve ayardan sonra vidalar (A) tekrar sıkılır.

K02



REF.	F mm/∅	CODE			
		K02 AR 100	K02 AR 125	K02 AR 160	K02 AR 200
K02 AR... - F. 0.05	0.05	500610020050	500612520050	500616020050	500620020050
K02 AR... - F. 0.1	0.1	500610020100	500612520100	500616020100	500620020100
K02 AR... - F. 0.2	0.2	500610020200	500612520200	500616020200	500620020200
K02 AR... - F. 0.3	0.3	500610020300	500612520300	500616020300	500620020300
K02 AR... - F. 0.4	0.4	500610020400	500612520400	500616020400	500620020400
K02 AR... - F. 0.5	0.5	500610020500	500612520500	500616020500	500620020500
K02 AR... - F. 0.6	0.6	500610020600	500612520600	500616020600	500620020600

K-NC



REF.	CODE		
	R.65	R.80	R.110
K-NC R... - AR 100	394110006502	394110008002	-
K-NC R... - AR 125	-	394112508002	394112511002
K-NC R... - AR 160		394116008002	394116011003
K-NC R... - AR 200			

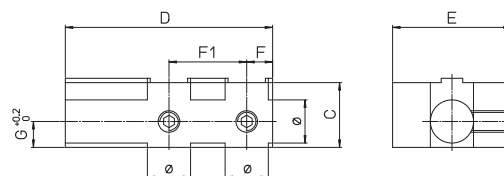
• Complete range of cones on page 17 • Полная гамма конусов на стр.17 • Kompletna gama stożków na str. 17
 • Kompletní řada kuželů na straně 11 • Sf.17'deki tüm koni ürünleri

MHD'



REF.	MHD'
AR 100	50
AR 125	63
AR 160	80
AR 200	

P 110



REF.	CODE	ØH7	C	D	E	F	F1	G	Kg.
AR 100 - P 110	433050300960	20	30	96	50	12	36	12	0.7
AR 125 - P 110	433056381200	25	39	121	56	15	45.5	16	1.3
AR 160 - P 110	433063481600	32	49	164	63	19	63	21	2.5
AR 200 - P 110									

• Interchangeable feeds • Взаимозаменяемая подача • Posuw zmienny
 • Vyměnitelné podavače • Birbiriyle deđiřtirilebilir besleme materyalleri

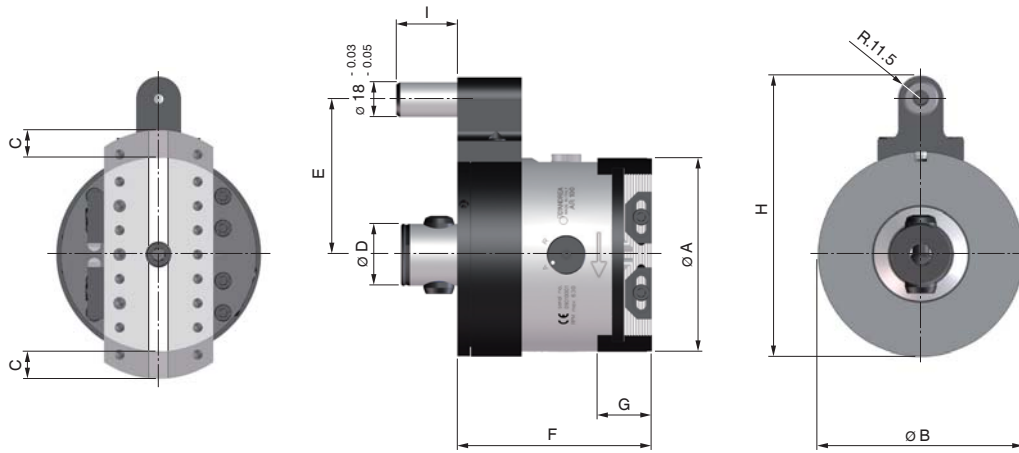
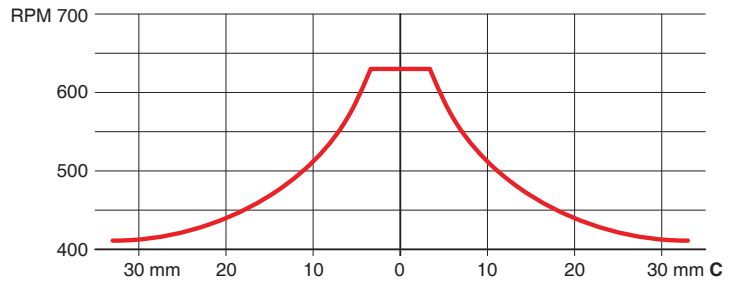
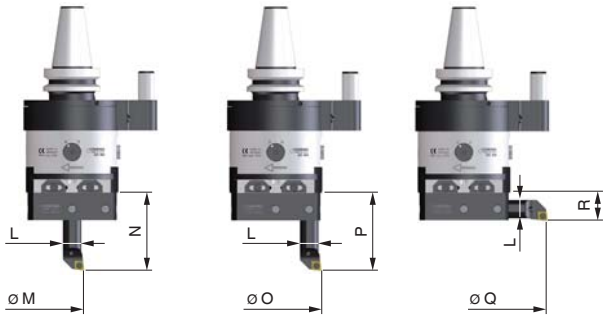
F...



REF.	F mm/∅	CODE			
		K02 AR 100	K02 AR 125	K02 AR 160	K02 AR 200
F. 0.05 - AR...	0.05	382006005001	382006105001	382006205001	
F. 0.1 - AR...	0.1	382006010001	382006110001	382006210001	
F. 0.2 - AR...	0.2	382006020001	382006120001	382006220001	
F. 0.3 - AR...	0.3	382006030001	382006130001	382006230001	
F. 0.4 - AR...	0.4	382006040001	382006140001	382006240001	
F. 0.5 - AR...	0.5	382006050001	382006150001	382006250001	
F. 0.6 - AR...	0.6	382006060001	382006160001	382006260001	



- TECHNICAL DATA
- ТЕХНИЧЕСКИЕ ДАННЫЕ
- DANE TECHNICZNE
- TECHNICKÁ DATA
- TEKNİK VERİLER



		AR 100	AR 125	AR 160	AR 200
Ø A	mm	100	125	160	200
Ø B	mm	105	130		
C	mm	± 12.5	± 20	± 35	± 55
Ø D	mm	(MHD'50) 32 ^{+0.005} _{-0.008}	(MHD'63) 42 ^{+0.005} _{-0.008}	(MHD'80) 42 ^{+0.005} _{-0.008}	
E	mm	65/80	80/110		
F	mm	100	110	125	
G	mm	28		35	
H	mm	128.5 / 143.5	156.5 / 186.5	171.5 / 201.5	191.5 / 221.5
I	mm	31.5	39.5	45.5	
L	mm	20	25	32	
Ø M	mm	76	99	144	244
N	mm	125	160	200	
Ø O	mm	148	190	270	370
P	mm	125	160	200	
Ø Q	mm	250	320	400	500
R	mm	31	40	50	
Max. ω /min	RPM	630	500	400	
• Interchangeable feeds • Взаимозаменяемая подача • Posuw zmienny • Vyměnitelné podavače • Birbirilyle deęiřtirilebilir besleme materyalleri	mm/ ω	p. 300			
• Weight without the cone • Вес без конуса • Waga bez stożka • Hmotnost bez kužele • Konisiz aęirlik	Kg	5.5	9	14	16
• Quick return • Быстрый возврат • Szybki ruch powrotny • Rychlý návrat • Hızlı geri dönüř	mm/ ω	0.8			

You will be welcome in Italy

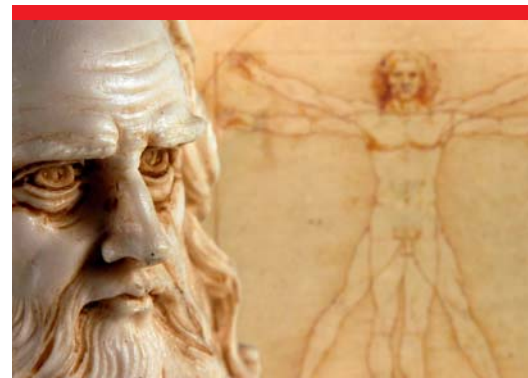
Ждем вас в Италии

Czekamy na Państwa we Włoszech

Budete vítání v Itálii

Sizleri İtalya'ya bekliyoruz

Emilio D'Andrea





D'ANDREA SpA

Via Garbagnate, 71 - 20020 Lainate (MI) Italy

t. +39 02.937532.1 f. +39 02.93753240

info@dandrea.com - www.dandrea.com



cod. 181041001094

12/17